



US00D840342S

(12) **United States Design Patent**
Levy et al.

(10) **Patent No.:** **US D840,342 S**

(45) **Date of Patent:** **** Feb. 12, 2019**

(54) **CABLING HUB**

10/4257; H01M 10/0436; H01M 10/48;
A41D 27/20; H02J 7/00

(71) Applicant: **Tectonica Australia Pty Ltd**, West
Melbourne, Victoria (AU)

See application file for complete search history.

(72) Inventors: **David Levy**, West Melbourne (AU);
Miles Partridge, West Melbourne
(AU); **Rachad Hussein**, West
Melbourne (AU); **Joshua White**, West
Melbourne (AU); **Thomas Partridge**,
West Melbourne (AU); **Chong Ooi**,
West Melbourne (AU); **Ningqi Zhao**,
West Melbourne (AU)

(56) **References Cited**

U.S. PATENT DOCUMENTS

D414,468	S	*	9/1999	Hakoda	D13/154
D458,534	S	*	6/2002	Morris	D8/358
D458,590	S	*	6/2002	Wilson	D13/139.8
D461,168	S	*	8/2002	Liao	D13/155
D622,267	S	*	8/2010	Tong	D14/240
7,901,241	B1	*	3/2011	Larkin	H02G 11/02 174/53
D731,444	S	*	6/2015	Todd	D13/173
D794,554	S	*	8/2017	Chang	D13/103
2015/0219856	A1	*	8/2015	Wang	G02B 6/4416 385/53
2015/0280361	A1	*	10/2015	Itou	H01R 13/6271 439/345

(Continued)

(73) Assignee: **Tectonica Australia Pty Ltd**, West
Melbourne, Victoria (AU)

(**) Term: **15 Years**

FOREIGN PATENT DOCUMENTS

(21) Appl. No.: **29/612,270**

EM 004688554-0002 * 1/2018

(22) Filed: **Jul. 31, 2017**

Primary Examiner — Angela J Lee

Assistant Examiner — Shawn T Gingrich

(51) **LOC (11) Cl.** **13-03**

(74) *Attorney, Agent, or Firm* — Morgan, Lewis &
Bockius LLP

(52) **U.S. Cl.**

USPC **D13/133**

(58) **Field of Classification Search**

USPC D13/101, 103, 110, 118, 123, 133,
D13/145–149, 151, 153, 154, 173, 184,
D13/199

CPC . H01R 9/00; H01R 9/03; H01R 13/00; H01R
13/28; H01R 13/44; H01R 13/52; H01R
13/58; H01R 13/62; H01R 13/64; H01R
13/65; H01R 13/658; H01R 13/659;
H01R 31/06; H01R 4/10; H01R 4/48;
H01R 13/60; H01R 13/639; H01R 13/72;
H01M 2/00; H01M 2/02; H01M 2/022;
H01M 2/10; H01M 2/1055; H01M

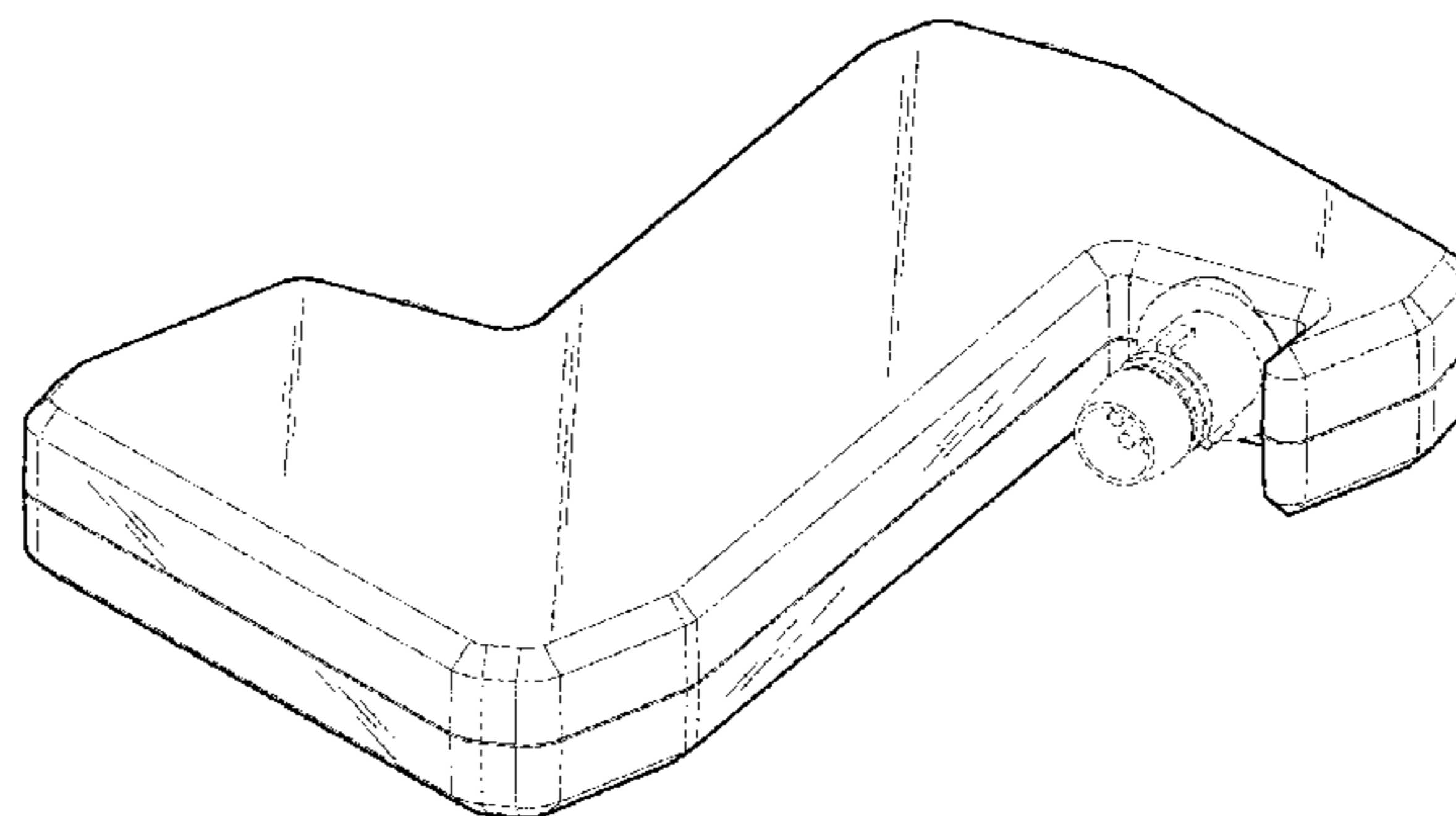
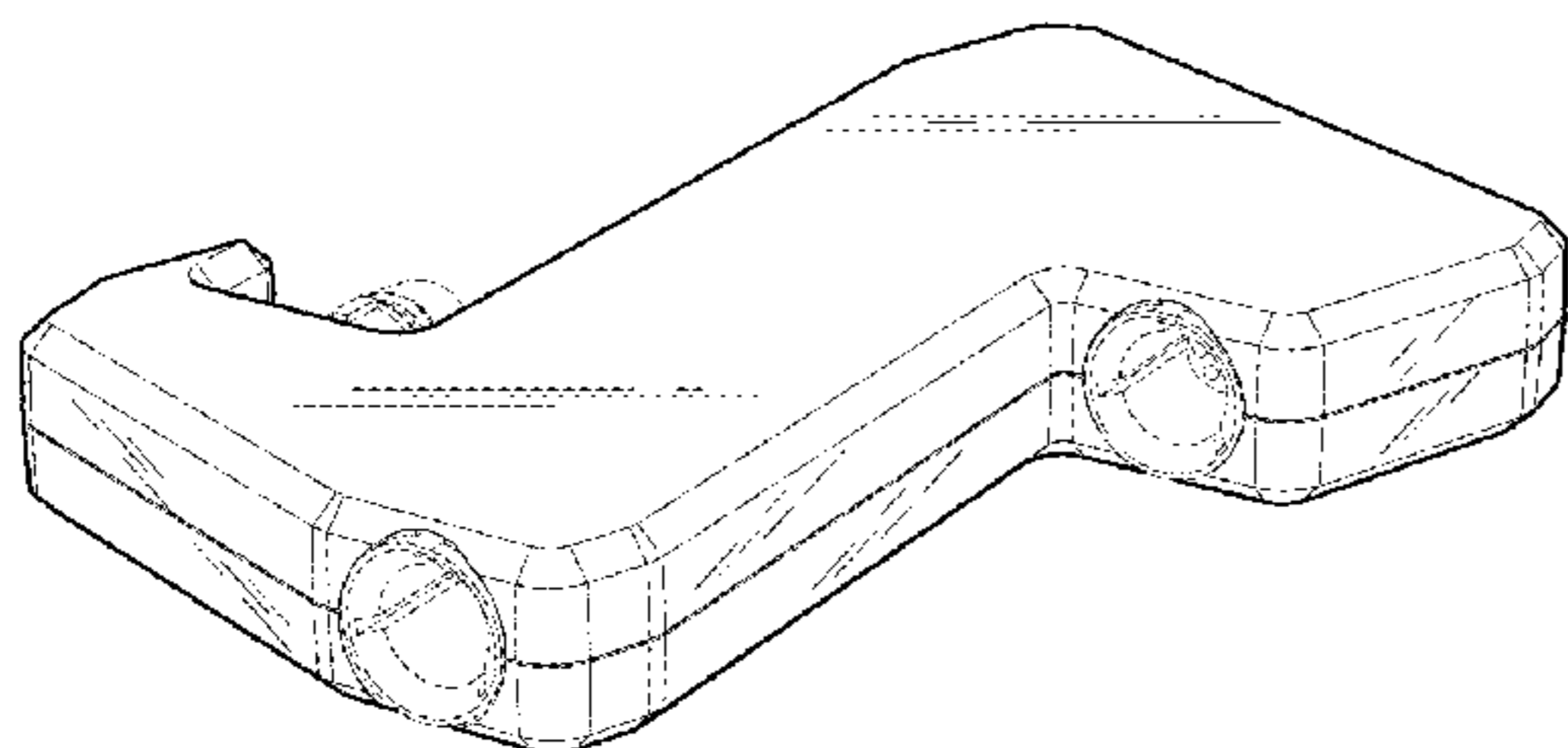
(57) **CLAIM**

The ornamental design for a cabling hub, as shown and
described.

DESCRIPTION

FIG. 1 is a top left perspective view of a cabling hub
showing our new design;
FIG. 2 is a top right perspective view thereof;
FIG. 3 is a top view thereof;
FIG. 4 is a bottom view thereof;
FIG. 5 is a left view thereof;
FIG. 6 is a right view thereof;
FIG. 7 is a rear view thereof; and,
FIG. 8 is a front view thereof.

(Continued)



The broken lines in the drawings illustrate portions of the cabling hub that form no part of the claimed design.

1 Claim, 6 Drawing Sheets

(56)

References Cited

U.S. PATENT DOCUMENTS

2018/0055996 A1* 3/2018 Brown A61M 5/14244

* cited by examiner

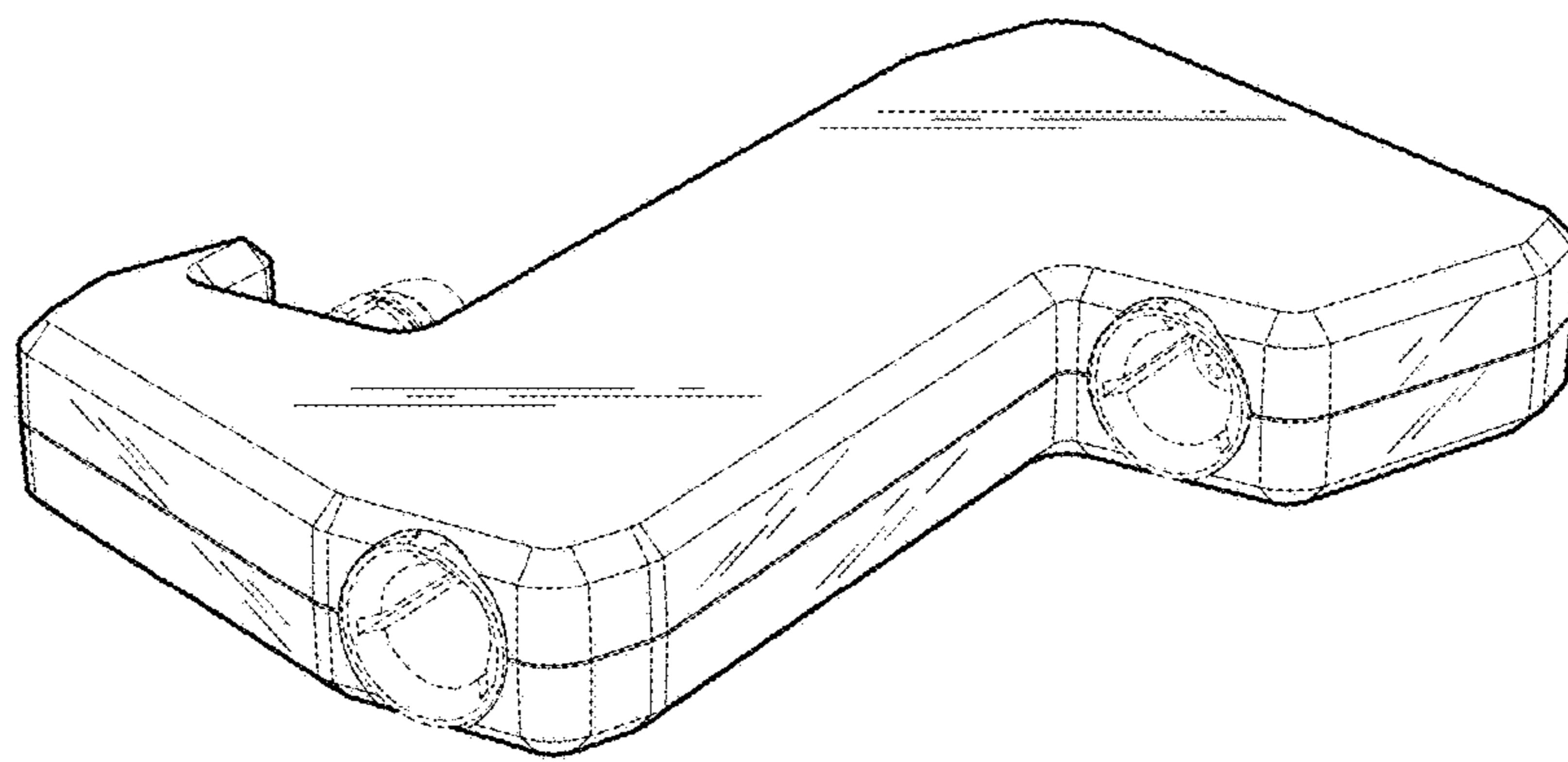


FIG. 1

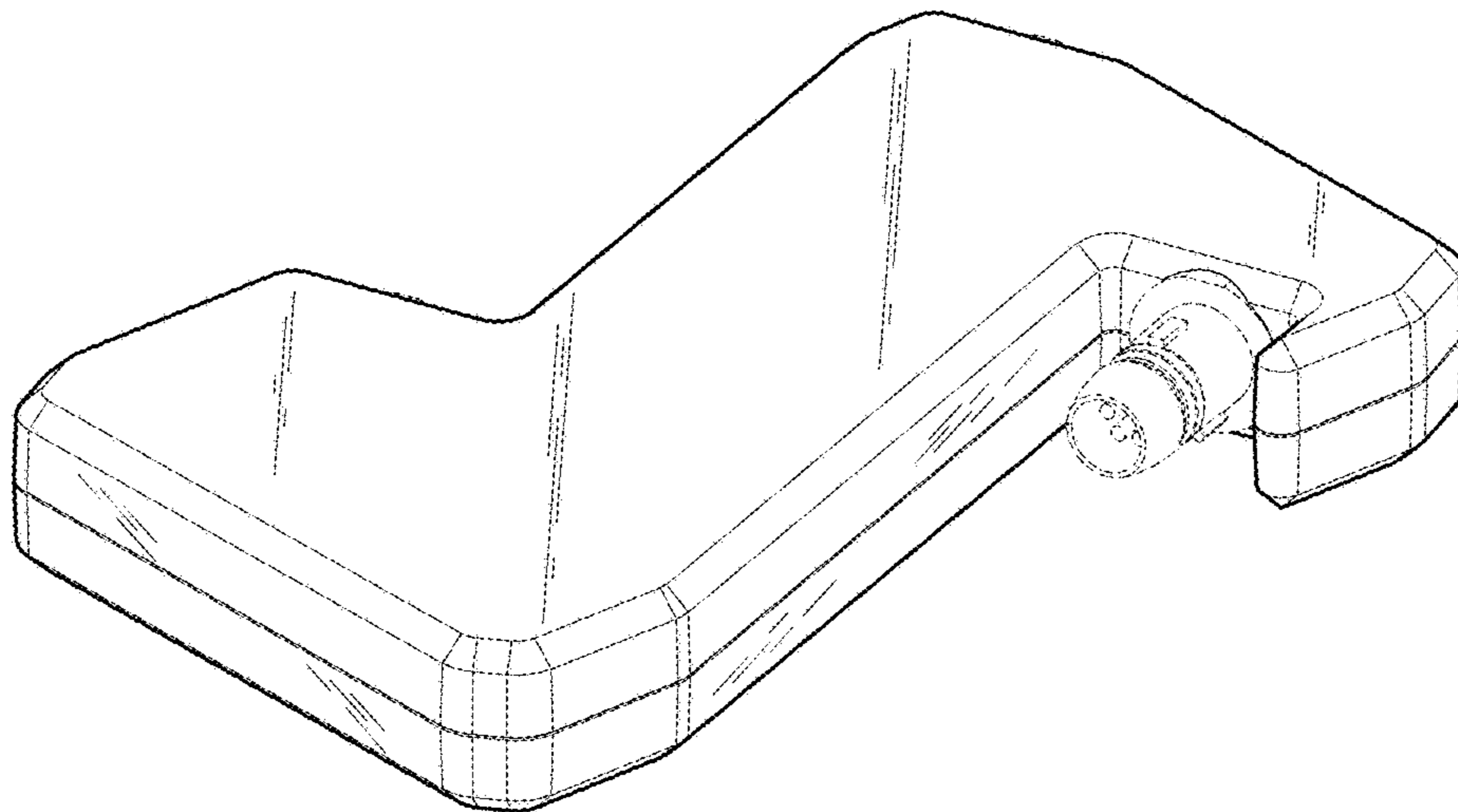


FIG. 2

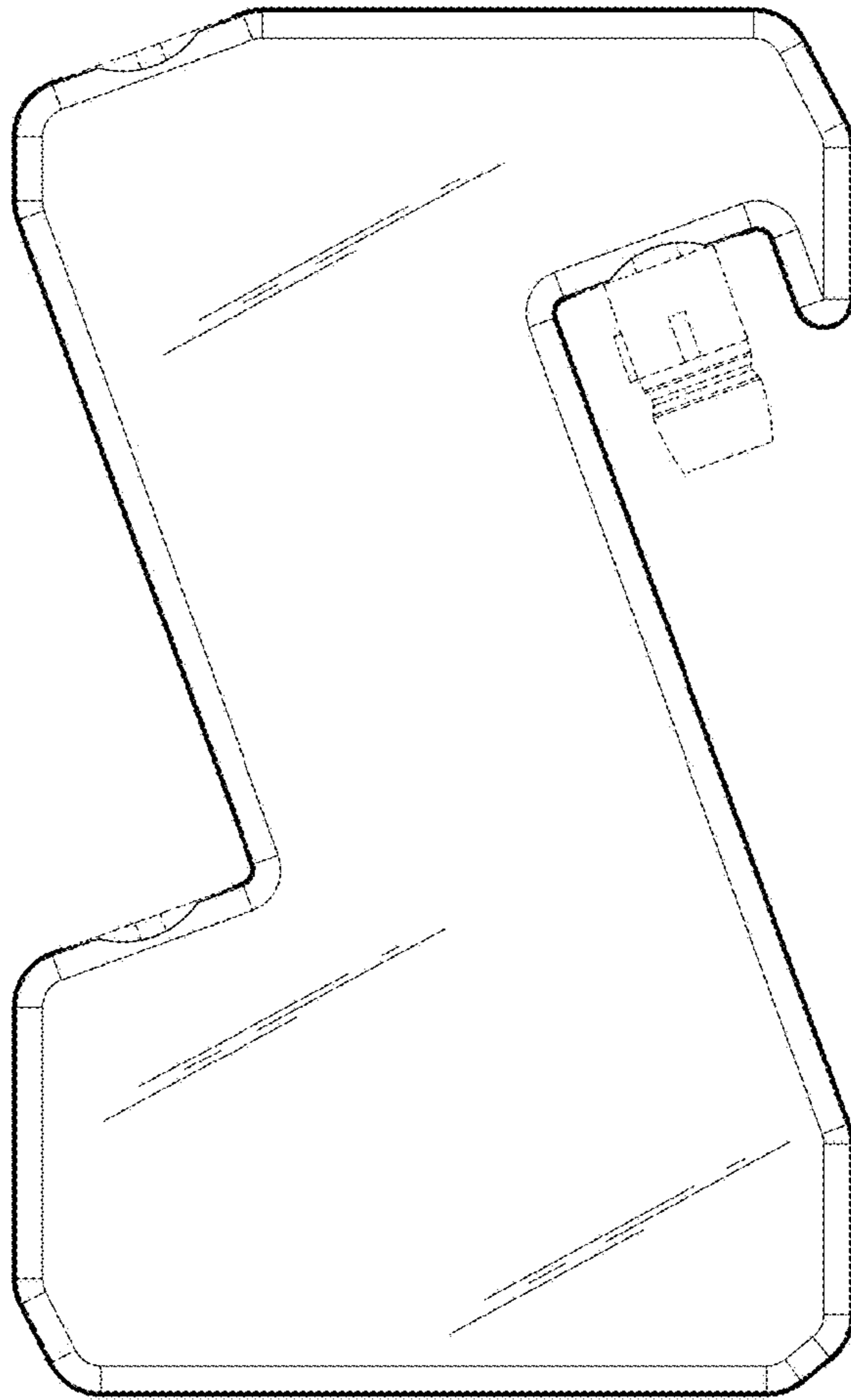


FIG. 3

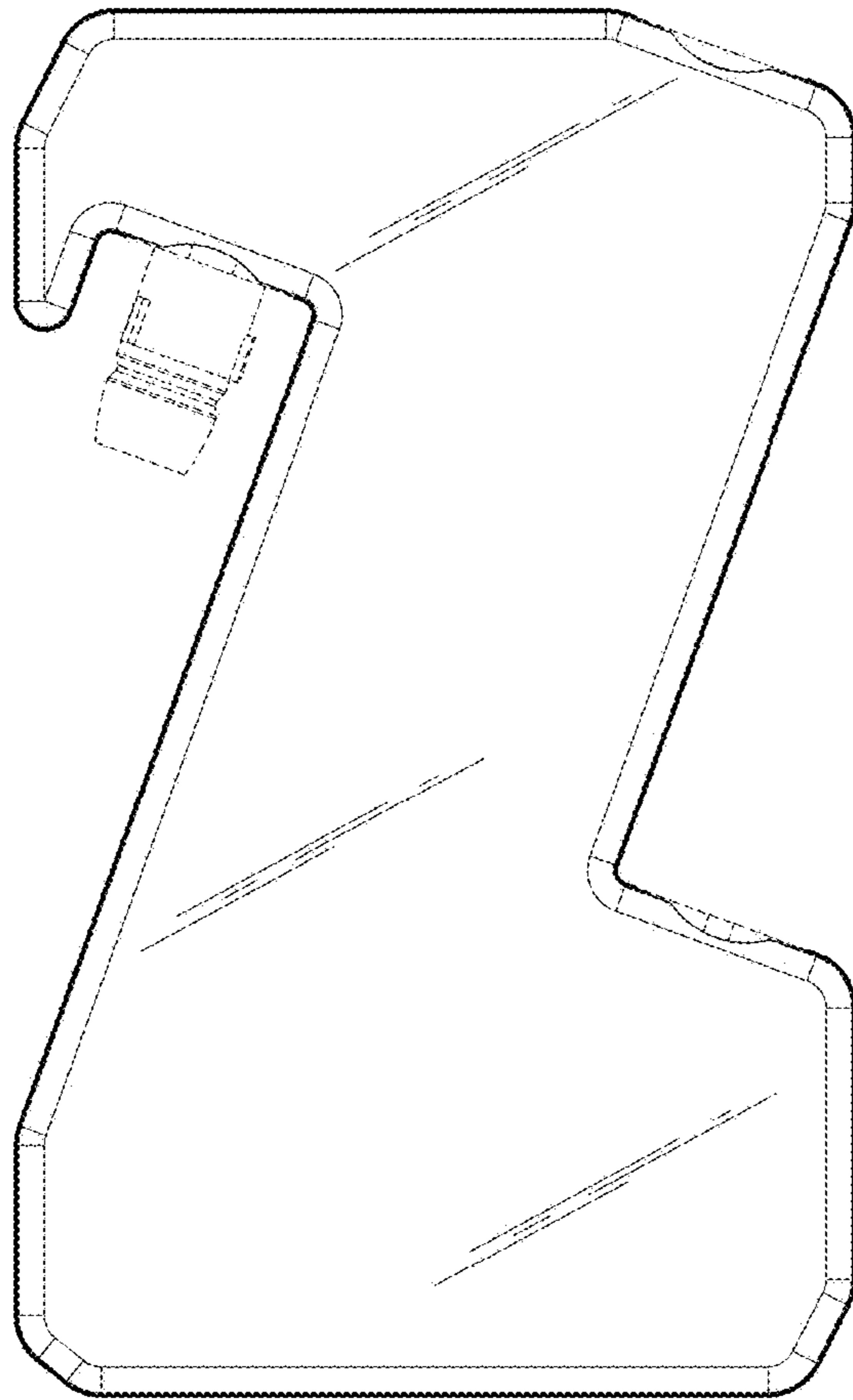


FIG. 4

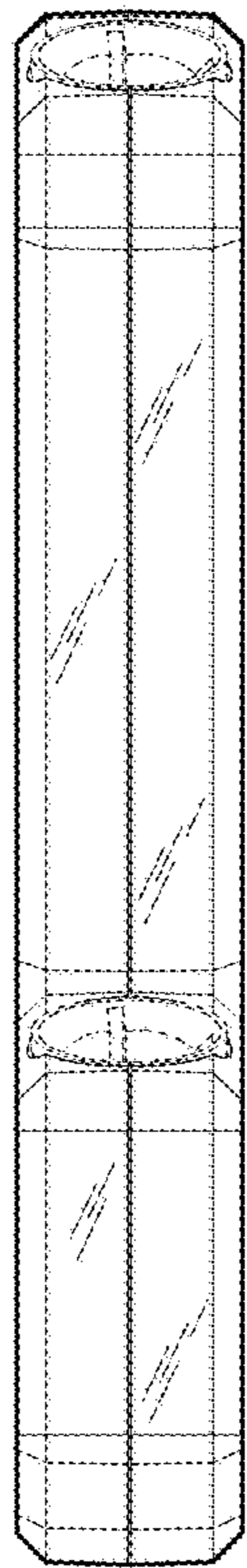


FIG. 5

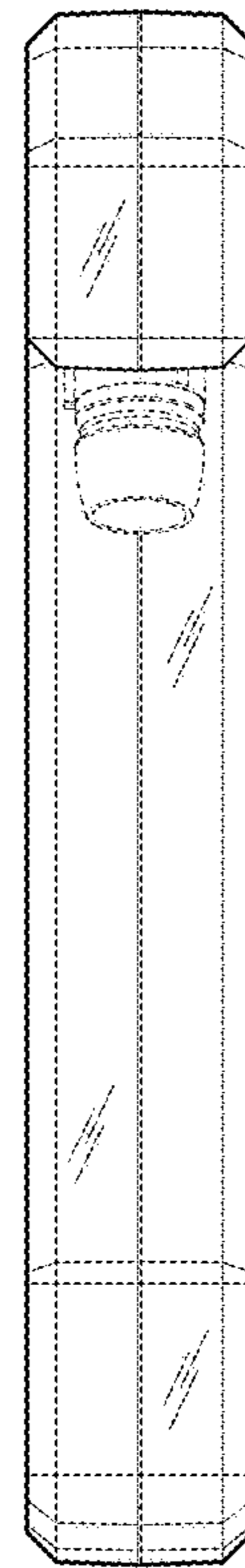


FIG. 6

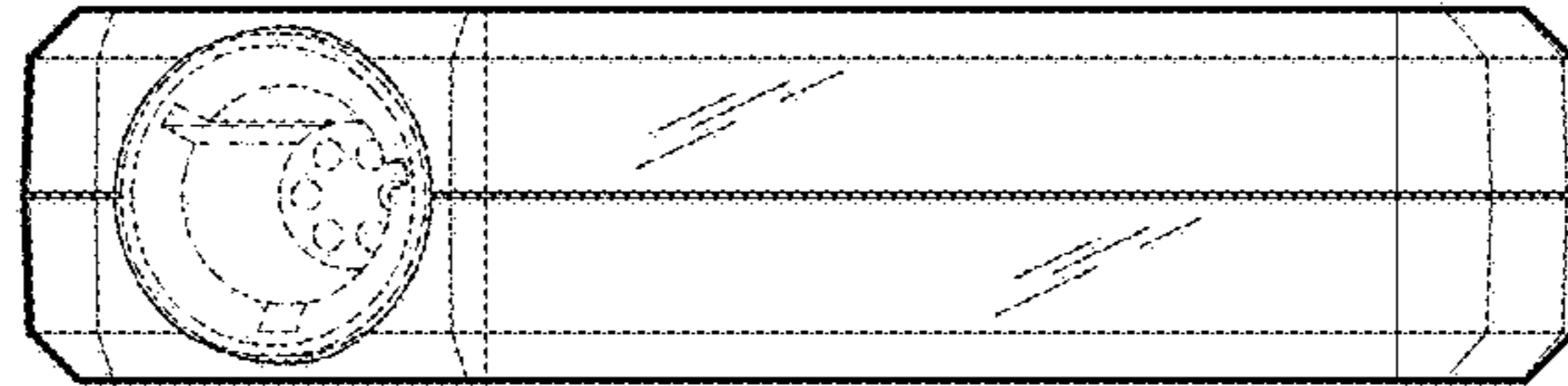


FIG. 7

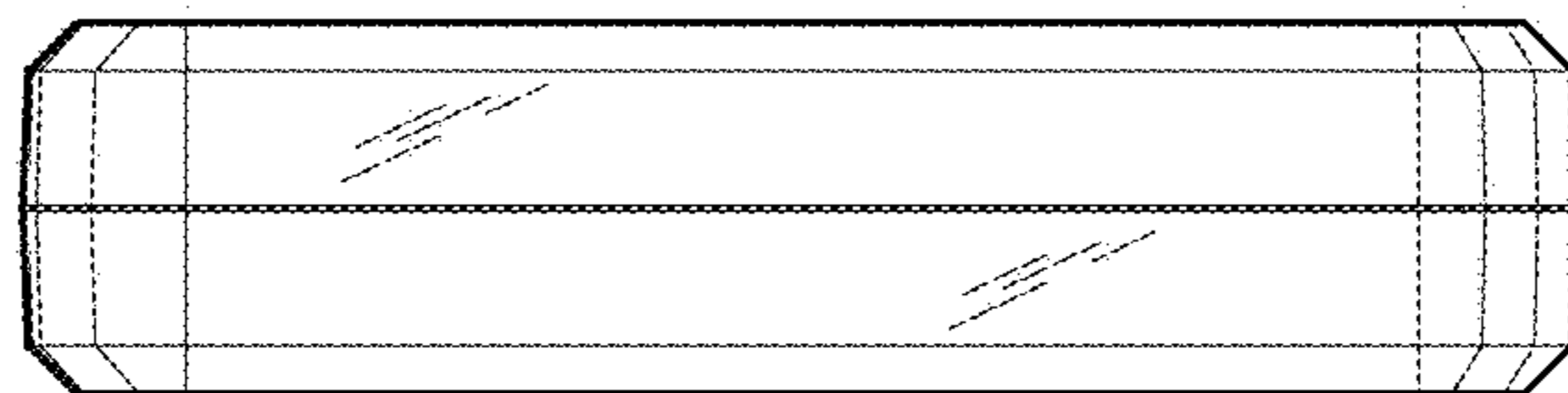


FIG. 8