



US00D840339S

(12) **United States Design Patent** (10) **Patent No.:** **US D840,339 S**  
**Barekar et al.** (45) **Date of Patent:** **\*\* Feb. 12, 2019**

(54) <b>GENERATOR ADAPTOR</b>	D485,806 S * 1/2004 Cook ..... D13/118
	D506,183 S 6/2005 Hull et al.
(71) Applicant: <b>Cummins Generator Technologies Limited</b> , Peterborough (GB)	D544,448 S 6/2007 Hull et al.
	D583,757 S * 12/2008 Sodemann ..... D13/122
	D588,537 S * 3/2009 Allen ..... D13/122
(72) Inventors: <b>Swapnil Barekar</b> , Pune (IN); <b>Rahul Mule</b> , Pune (IN)	D593,641 S 6/2009 Plank et al.
	D633,872 S * 3/2011 Shen ..... D13/155
	D635,934 S * 4/2011 Shen ..... D13/155
(73) Assignee: <b>Cummins Generator Technologies Limited</b> , Peterborough (GB)	8,056,938 B2 * 11/2011 Shen ..... H02G 3/0691 285/321
	D710,306 S 8/2014 Ohashi et al.
	D729,165 S 5/2015 Liu
(**) Term: <b>15 Years</b>	D792,346 S * 7/2017 Mayor ..... D13/122

\* cited by examiner

(21) Appl. No.: **29/614,601**

(22) Filed: **Aug. 21, 2017**

**Related U.S. Application Data**

(62) Division of application No. 29/554,830, filed on Feb. 16, 2016, now Pat. No. Des. 797,048.

(30) **Foreign Application Priority Data**

Aug. 19, 2015 (EM) ..... 002757336-0001  
Aug. 19, 2015 (EM) ..... 002757336-0002

(51) **LOC (11) Cl.** ..... **13-02**

(52) **U.S. Cl.**  
USPC ..... **D13/122**

(58) **Field of Classification Search**  
USPC ..... D13/122, 114, 112, 148; D15/28, 5;  
D12/159; D8/382, 349  
CPC ..... H01R 27/00; H01R 29/00; H01R 31/00;  
H01R 31/06; H01R 3/00; Y01T 403/00;  
Y01T 403/19  
See application file for complete search history.

(56) **References Cited**

**U.S. PATENT DOCUMENTS**

D260,170 S \* 8/1981 Cornwall ..... D23/260  
D284,022 S \* 5/1986 Milot ..... D23/265

*Primary Examiner* — Daniel D Bui  
*Assistant Examiner* — Andrew G Kerr  
(74) *Attorney, Agent, or Firm* — Foley & Lardner LLP

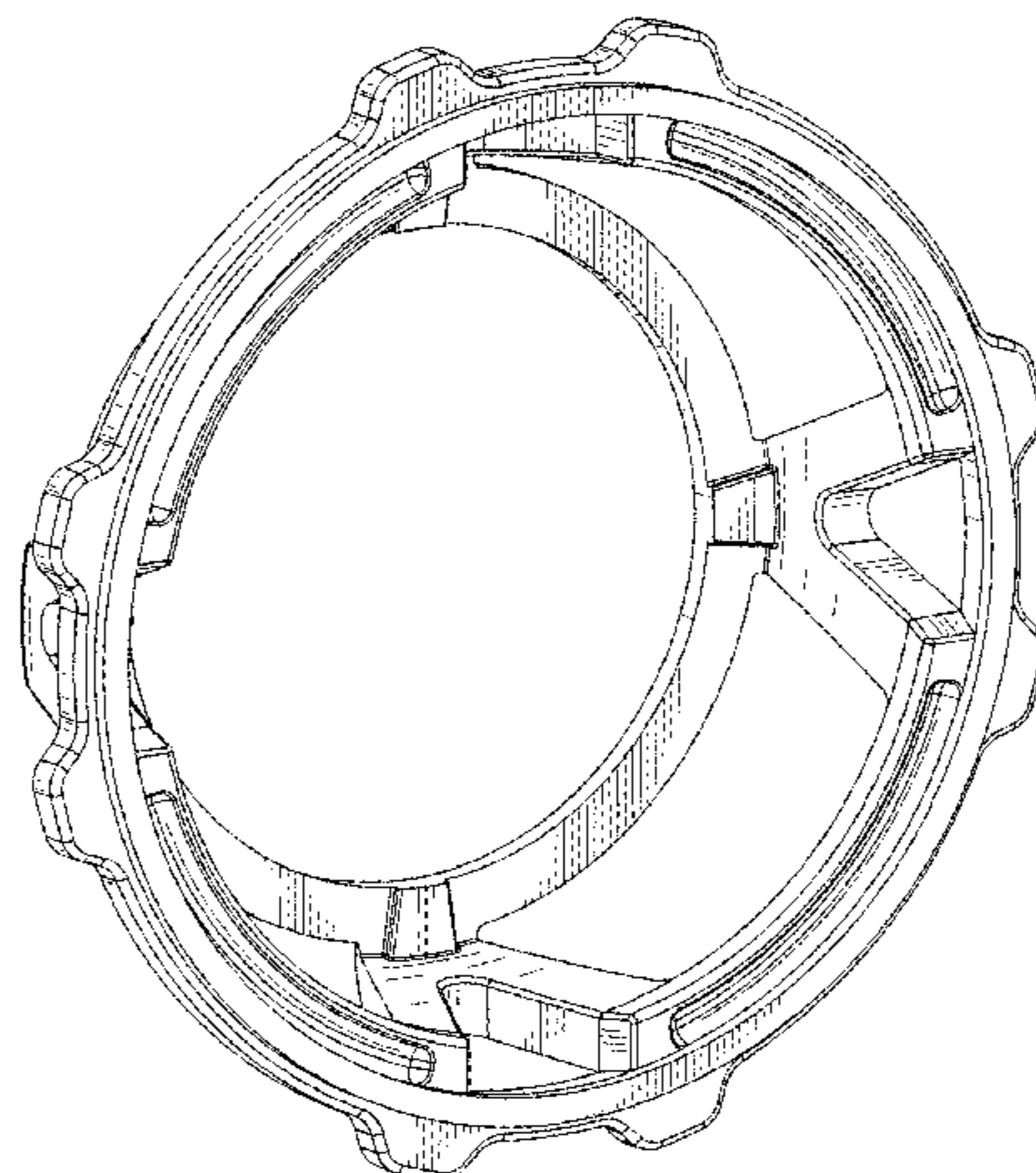
(57) **CLAIM**

We claim the ornamental design for a generator adaptor, as shown and described.

**DESCRIPTION**

FIG. 1 is a rear perspective view of a generator adaptor showing our new design;  
FIG. 2 is a front perspective view thereof;  
FIG. 3 is a rear elevational view thereof;  
FIG. 4 is a front elevational view thereof;  
FIG. 5 is a right side elevational view thereof;  
FIG. 6 is a left side elevational view thereof;  
FIG. 7 is a bottom plan view thereof; and,  
FIG. 8 is a top plan view thereof.  
The ornamental design which is claimed is shown in solid lines in the drawings. The broken lines shown represent the portions of the generator adapter that form no part of the claimed design.

**1 Claim, 6 Drawing Sheets**



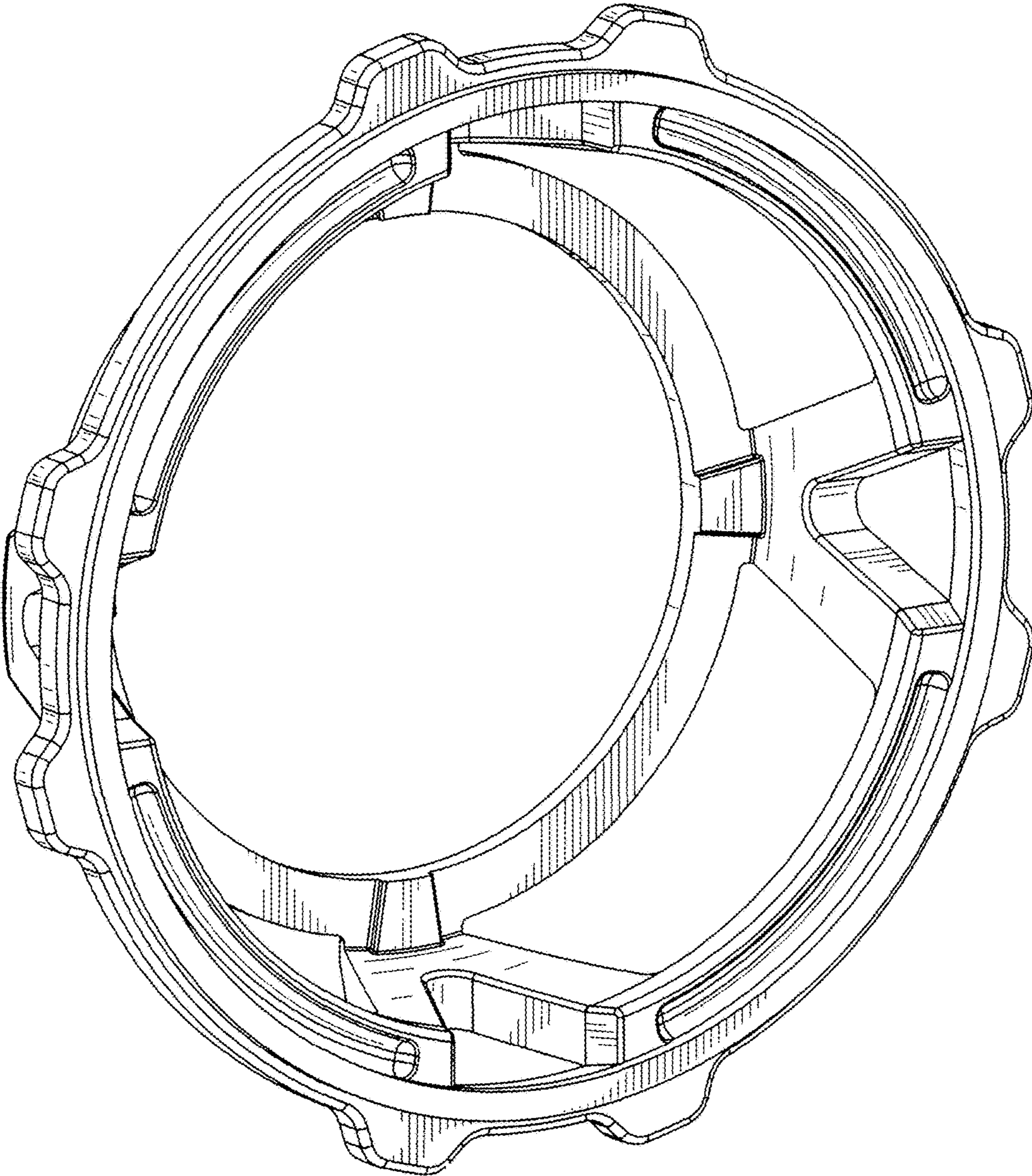


FIG. 1

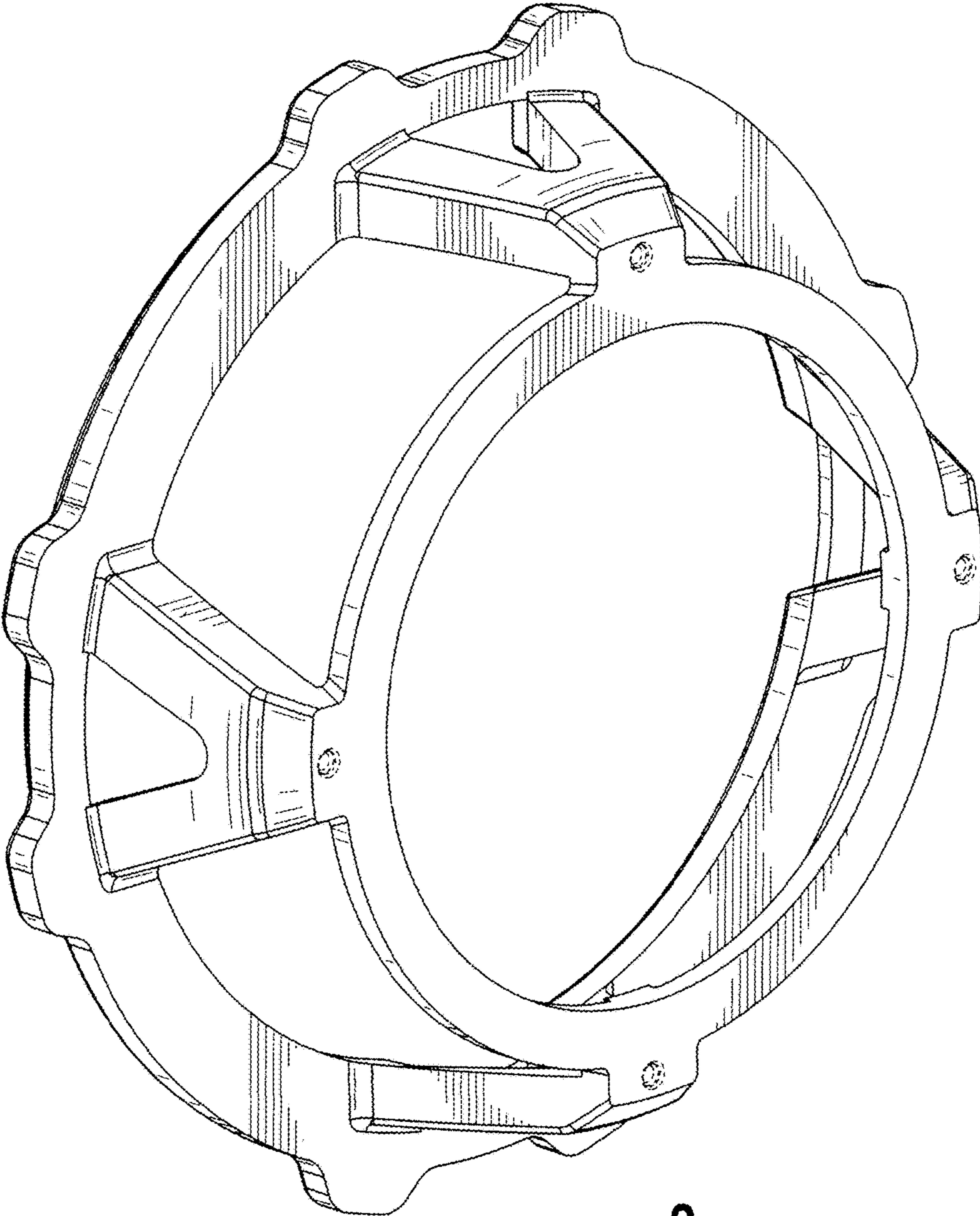


FIG. 2

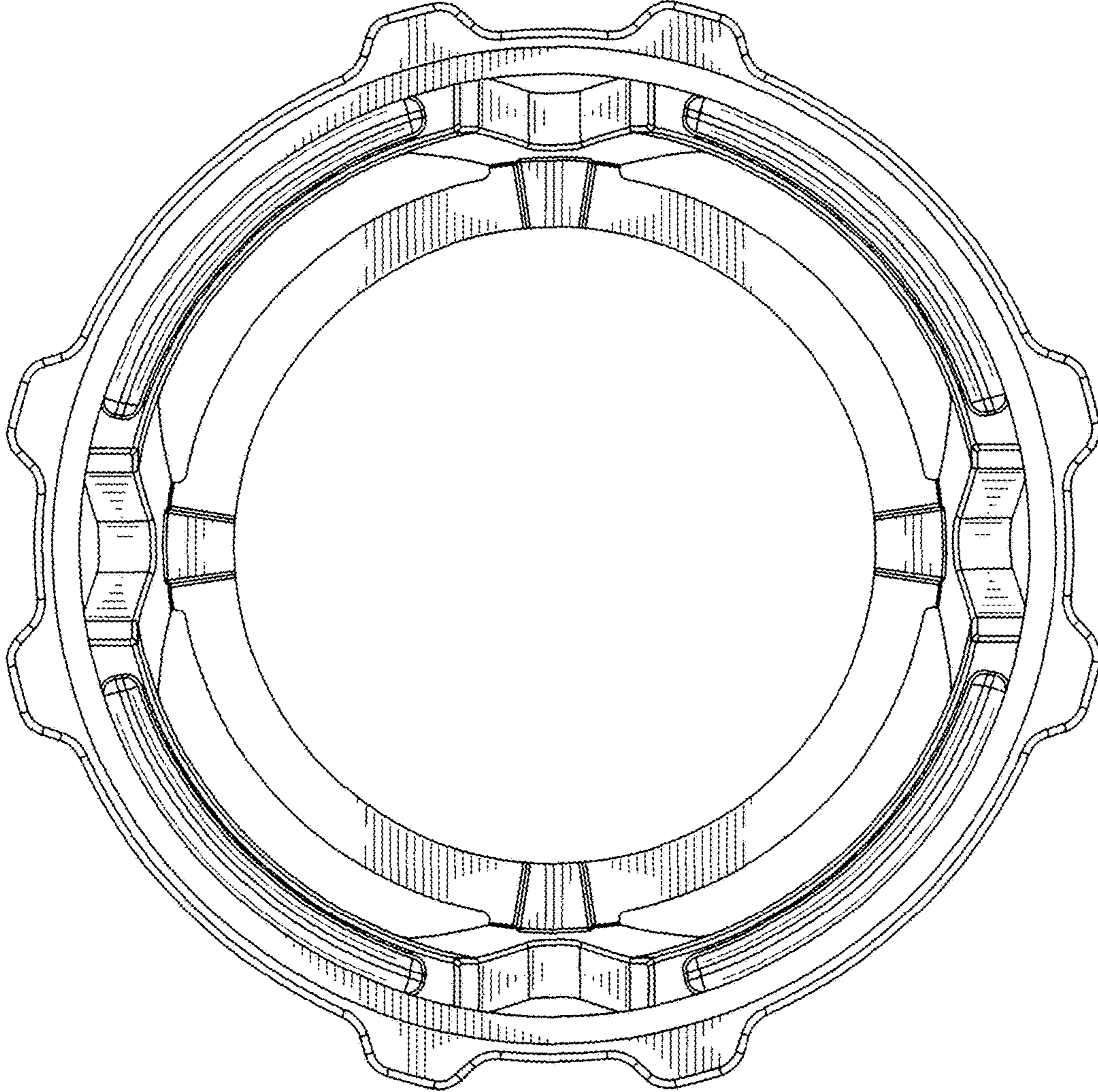


FIG. 3

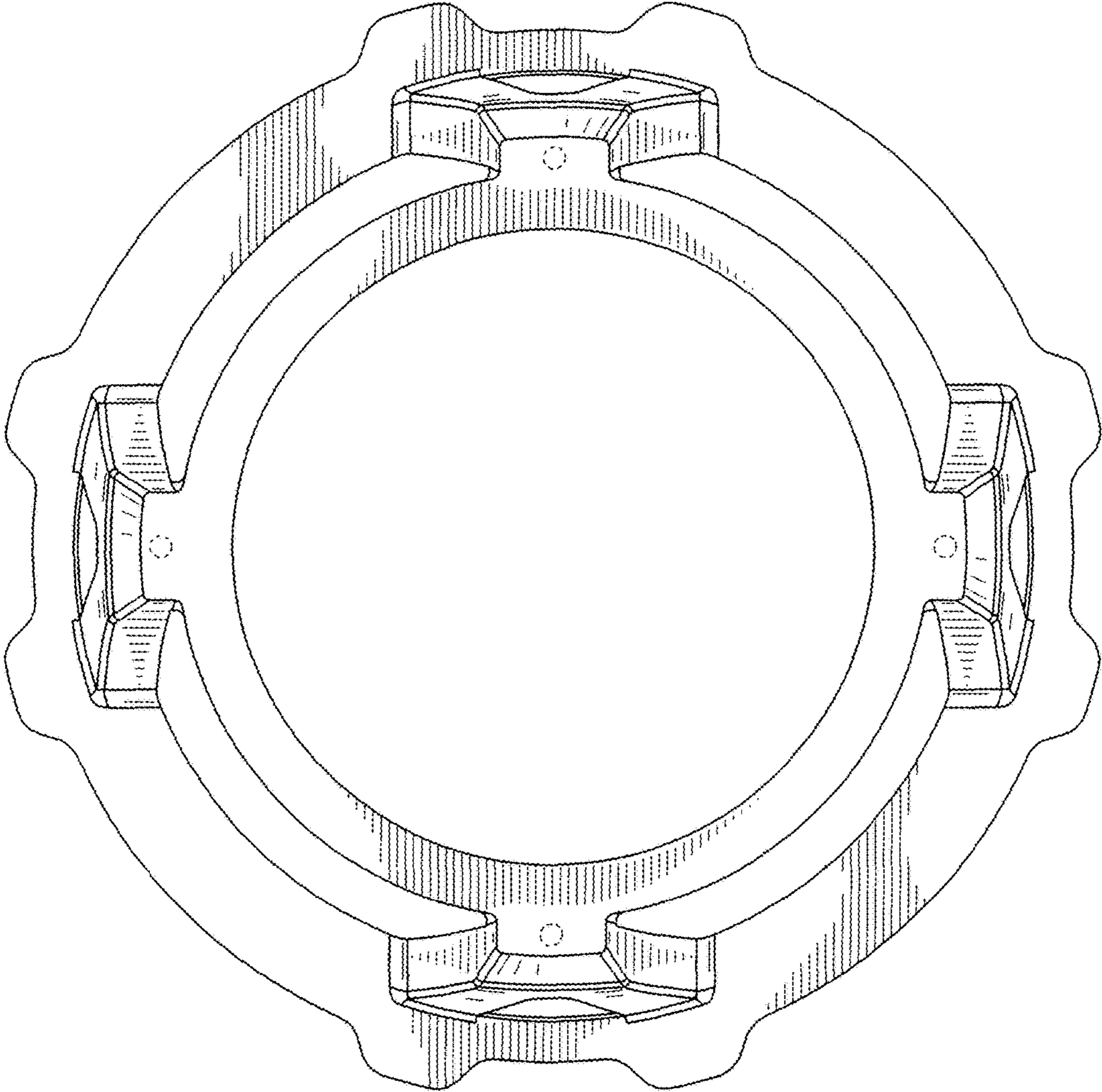


FIG. 4

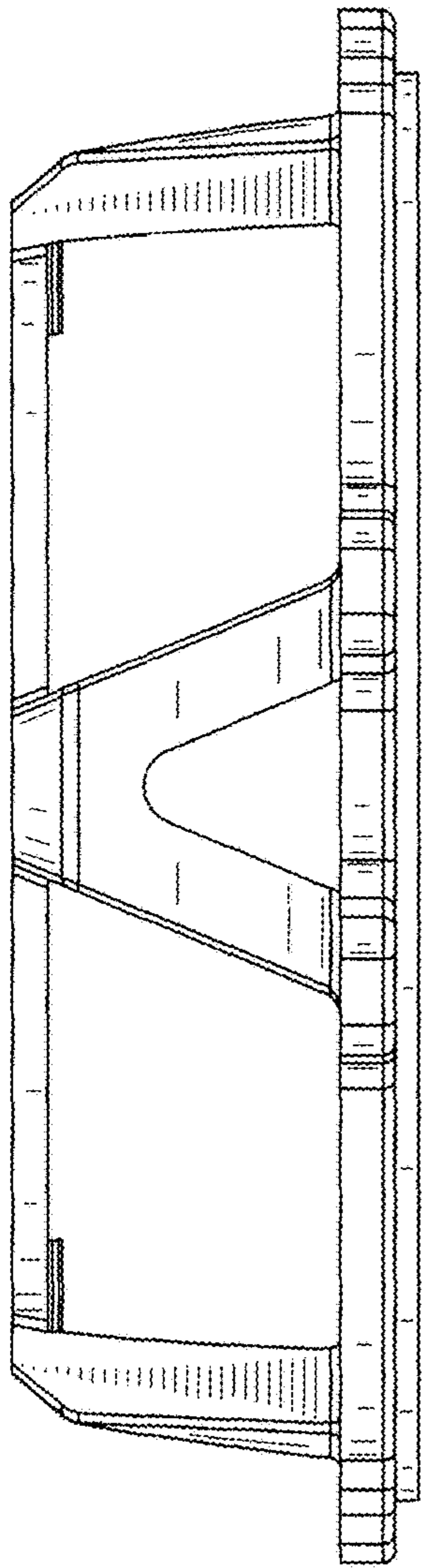


FIG. 5

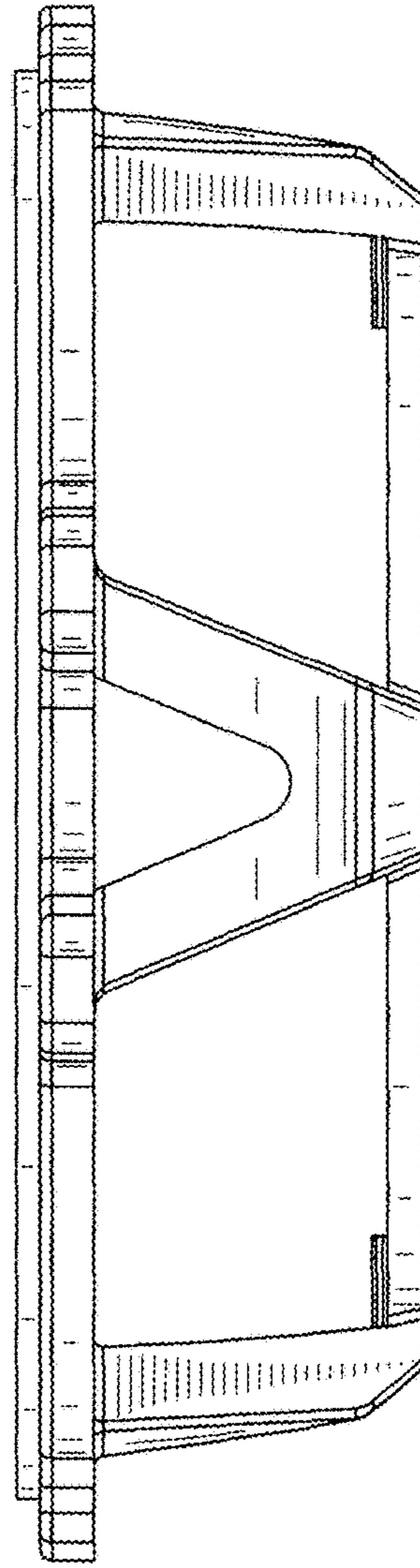


FIG. 6

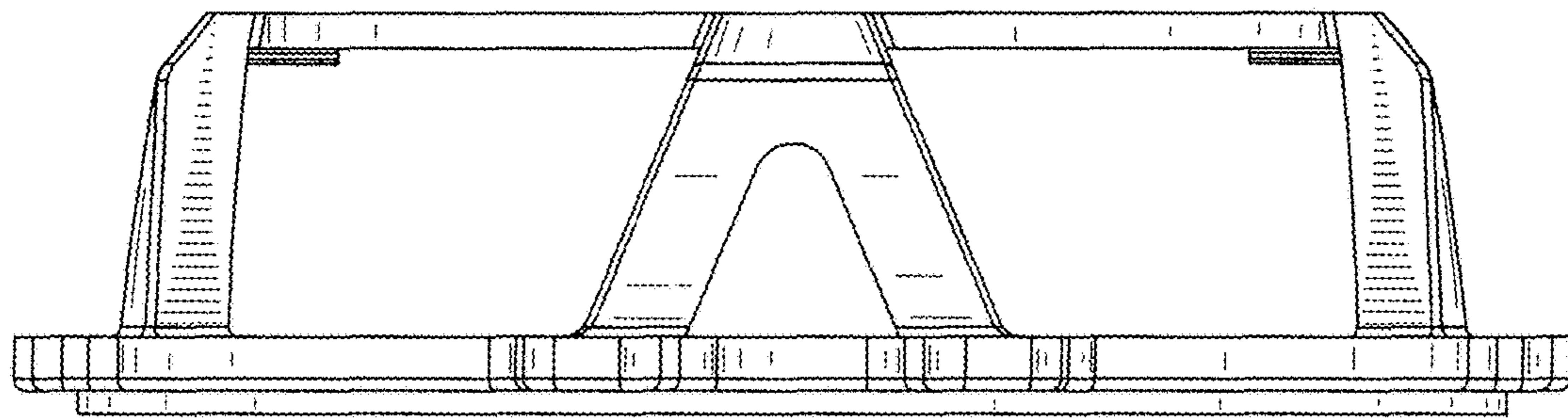


FIG. 7

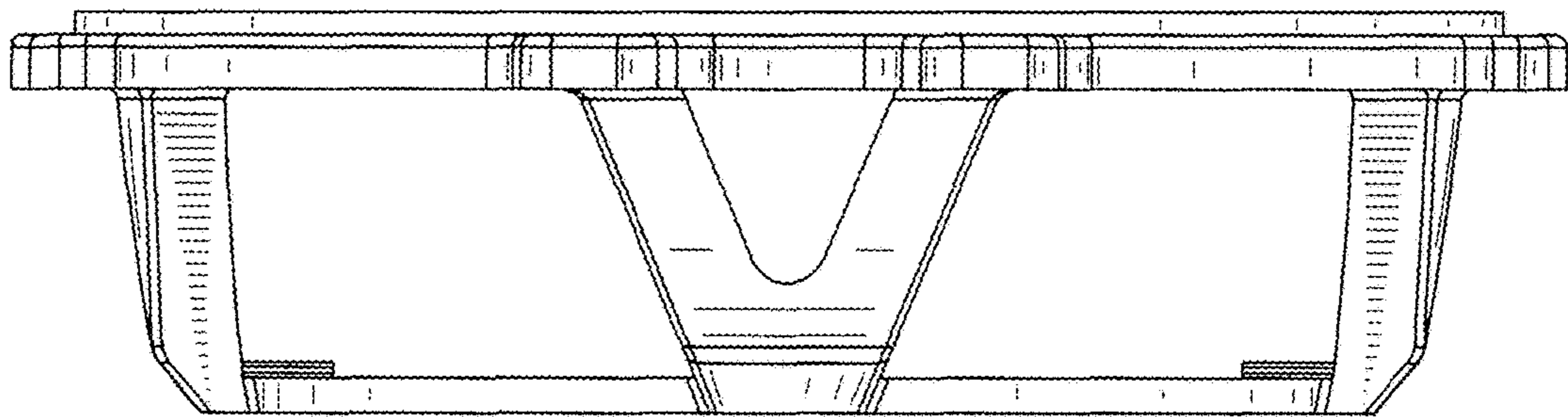


FIG. 8