



US00D840337S

(12) **United States Design Patent**  
**Gillett et al.**

(10) **Patent No.:** **US D840,337 S**

(45) **Date of Patent:** **\*\* Feb. 12, 2019**

(54) **GENERATOR SET HOUSING**

(71) Applicant: **Cummins Power Generation IP, Inc.**,  
Minneapolis, MN (US)

(72) Inventors: **Daniel D. Gillett**, Mounds View, MN  
(US); **Leo Steffl**, Plymouth, MN (US);  
**Randy Wehrenberg**, Ramsey, MN  
(US)

(73) Assignee: **Cummins Power Generation IP, Inc.**,  
Minneapolis, MN (US)

(\*\*) Term: **15 Years**

(21) Appl. No.: **29/577,994**

(22) Filed: **Sep. 16, 2016**

(51) **LOC (11) Cl.** ..... **13-02**

(52) **U.S. Cl.**  
USPC ..... **D13/112**

(58) **Field of Classification Search**  
USPC ..... D13/112, 118, 110, 116, 114  
CPC ..... F02B 63/04; F02B 63/042; H02K 7/1815  
See application file for complete search history.

(56) **References Cited**

**U.S. PATENT DOCUMENTS**

D226,011 S *	1/1973	Urquhart	.....	D13/110
D266,235 S *	9/1982	Hughes	.....	D13/114
D339,101 S *	9/1993	Delamoreaux	.....	D13/110
5,899,174 A *	5/1999	Anderson	.....	F02B 63/04 123/2
D503,381 S *	3/2005	Mizokami	.....	D13/114
D511,139 S *	11/2005	Xiao	.....	D13/116
D537,035 S *	2/2007	Tomoe	.....	D13/114
D638,795 S *	5/2011	Bechtel	.....	D13/122
D662,055 S *	6/2012	Little	.....	F02B 63/04 D13/122
D696,196 S *	12/2013	Plato	.....	D13/112
D761,731 S *	7/2016	Matthews	.....	D13/122
D777,668 S *	1/2017	Lin	.....	D13/112
9,755,480 B2 *	9/2017	Janscha	.....	H02K 7/1815

(Continued)

**OTHER PUBLICATIONS**

Cummins Rocky Mountain posted by City of Com posted date Aug. 29, 2017, © YouTube, [online],[site visited Nov. 7, 2017]. Available from Internet, <https://www.youtube.com/watch?v=THgmOx92jsc> (Year: 2017).\*

(Continued)

*Primary Examiner* — Garth Rademaker

*Assistant Examiner* — Laura H Yu

(74) *Attorney, Agent, or Firm* — Foley & Lardner LLP

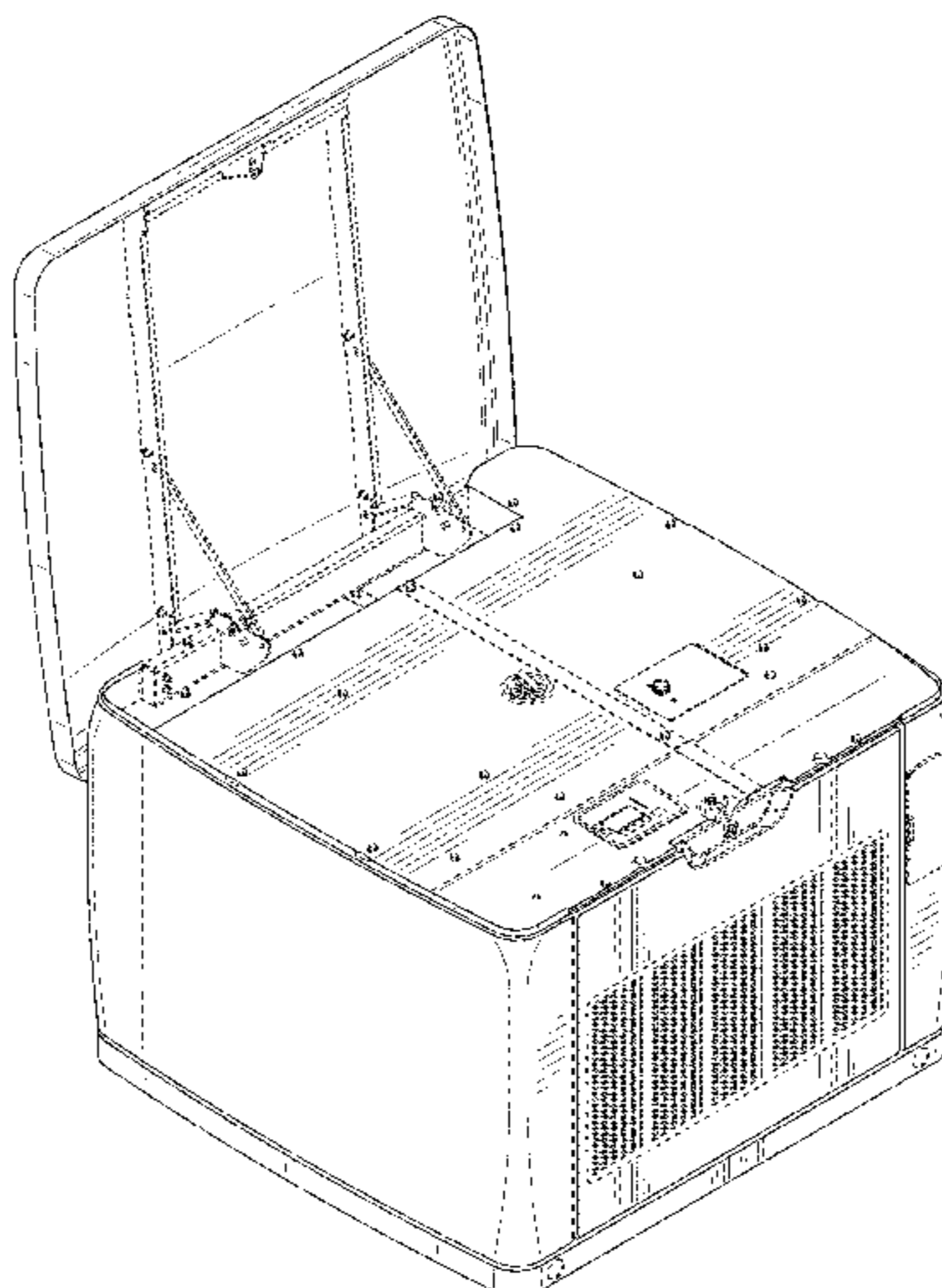
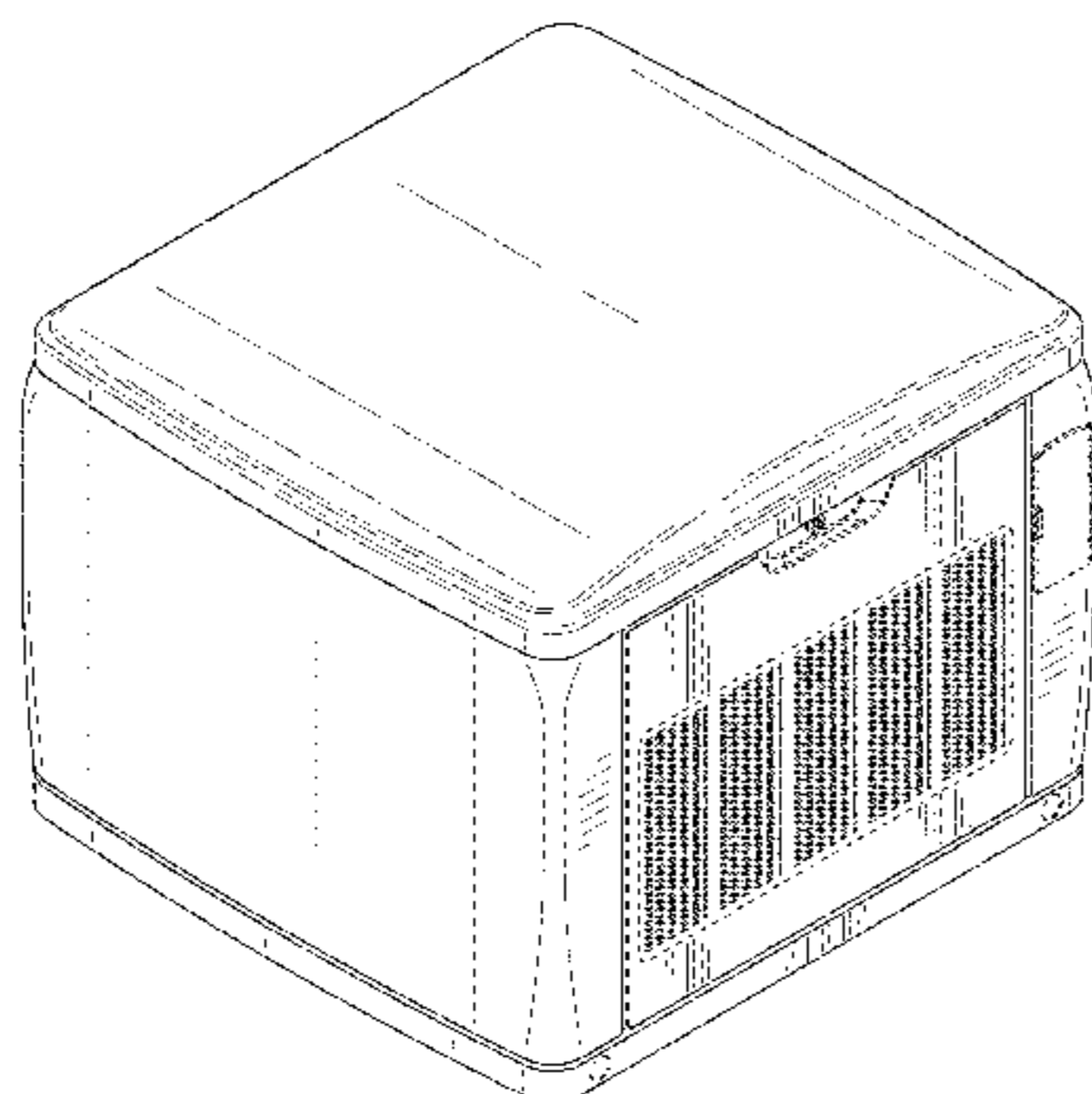
(57) **CLAIM**

We claim the ornamental design for a generator set housing, as shown and described.

**DESCRIPTION**

FIG. 1 is a top, front, left, isometric view of a generator set housing showing our new design;  
FIG. 2 is a top, rear, right isometric view thereof;  
FIG. 3 is a top plan view thereof;  
FIG. 4 is a bottom plan view thereof;  
FIG. 5 is a front elevational view thereof;  
FIG. 6 is a rear elevational view thereof;  
FIG. 7 is a right side elevational view thereof;  
FIG. 8 is a left side elevational view thereof;  
FIG. 9 is a top, front, left isometric view of a second embodiment;  
FIG. 10 is a top, rear, right isometric view thereof;  
FIG. 11 is a top plan view thereof;  
FIG. 12 is a bottom plan view thereof;  
FIG. 13 is a front elevational view thereof;  
FIG. 14 is a rear elevational view thereof;  
FIG. 15 is a right side elevational view thereof; and,  
FIG. 16 is a left side elevational view thereof.  
The broken lines in the figures illustrate portions of the generator housing that form no part of the claimed design.

**1 Claim, 16 Drawing Sheets**



(56)

**References Cited**

U.S. PATENT DOCUMENTS

2011/0204651 A1\* 8/2011 Nishimura ..... F02B 63/04  
290/1 A  
2013/0187392 A1\* 7/2013 Janscha ..... F02B 63/04  
290/1 A  
2015/0181735 A1\* 6/2015 Wilson ..... F02B 63/044  
290/1 A  
2017/0204783 A1\* 7/2017 Du ..... F02B 63/042

OTHER PUBLICATIONS

Generator posted by Generac posted review date Jul. 14, 2015, © Amazon, [online], [site visited Nov. 7, 2017]. Available from Internet, [https://www.amazon.com/Generac-6237-Automatic-Discontinued-Manufacturer/dp/B00C2LV4H8/ref=sr\\_1\\_66?s=lawn-garden&ie=UTF8&qid=1510110019&sr=1-66&keywords=home+generator](https://www.amazon.com/Generac-6237-Automatic-Discontinued-Manufacturer/dp/B00C2LV4H8/ref=sr_1_66?s=lawn-garden&ie=UTF8&qid=1510110019&sr=1-66&keywords=home+generator) (Year: 2015).\*

\* cited by examiner

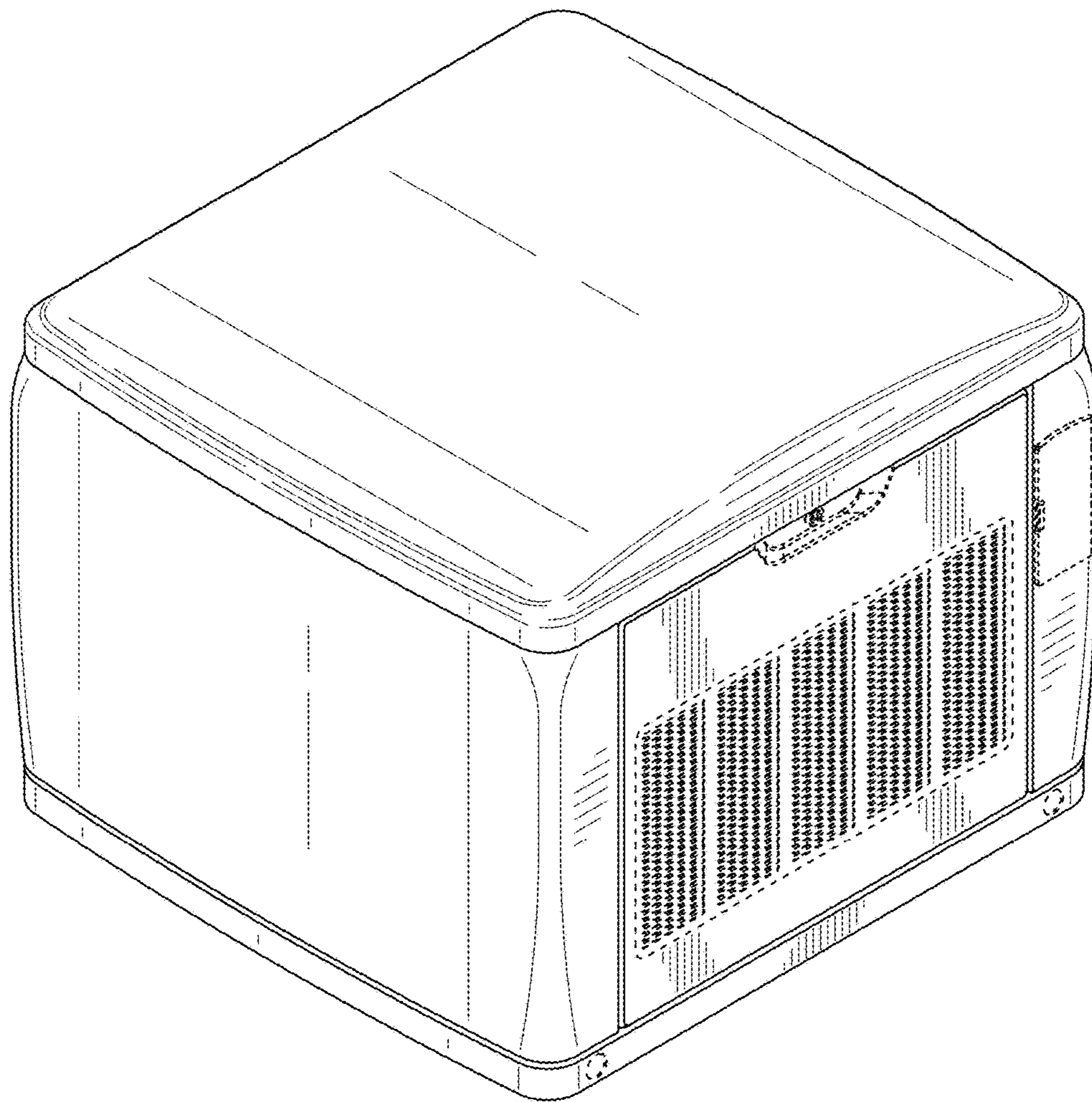


FIG. 1

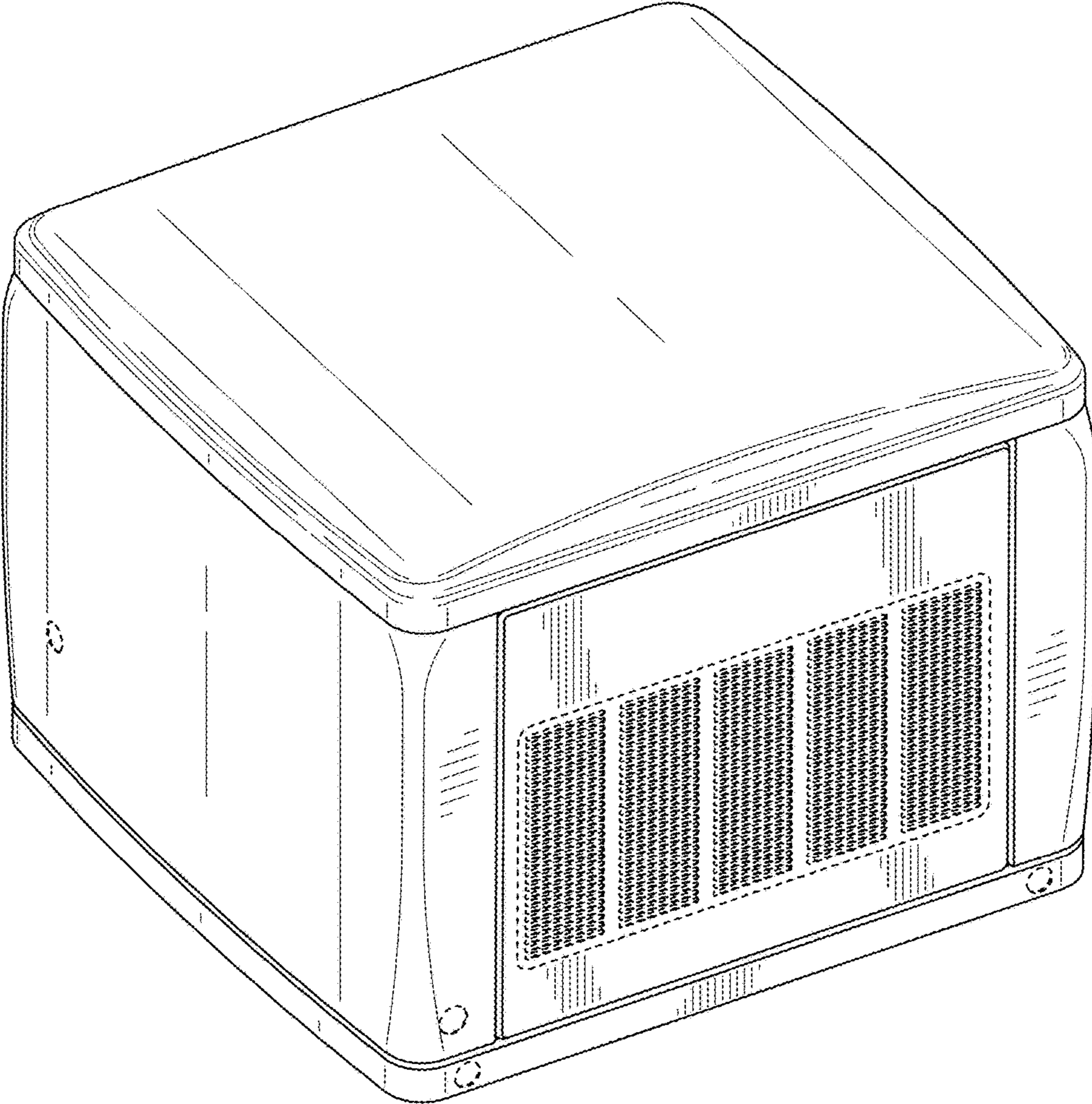


FIG. 2

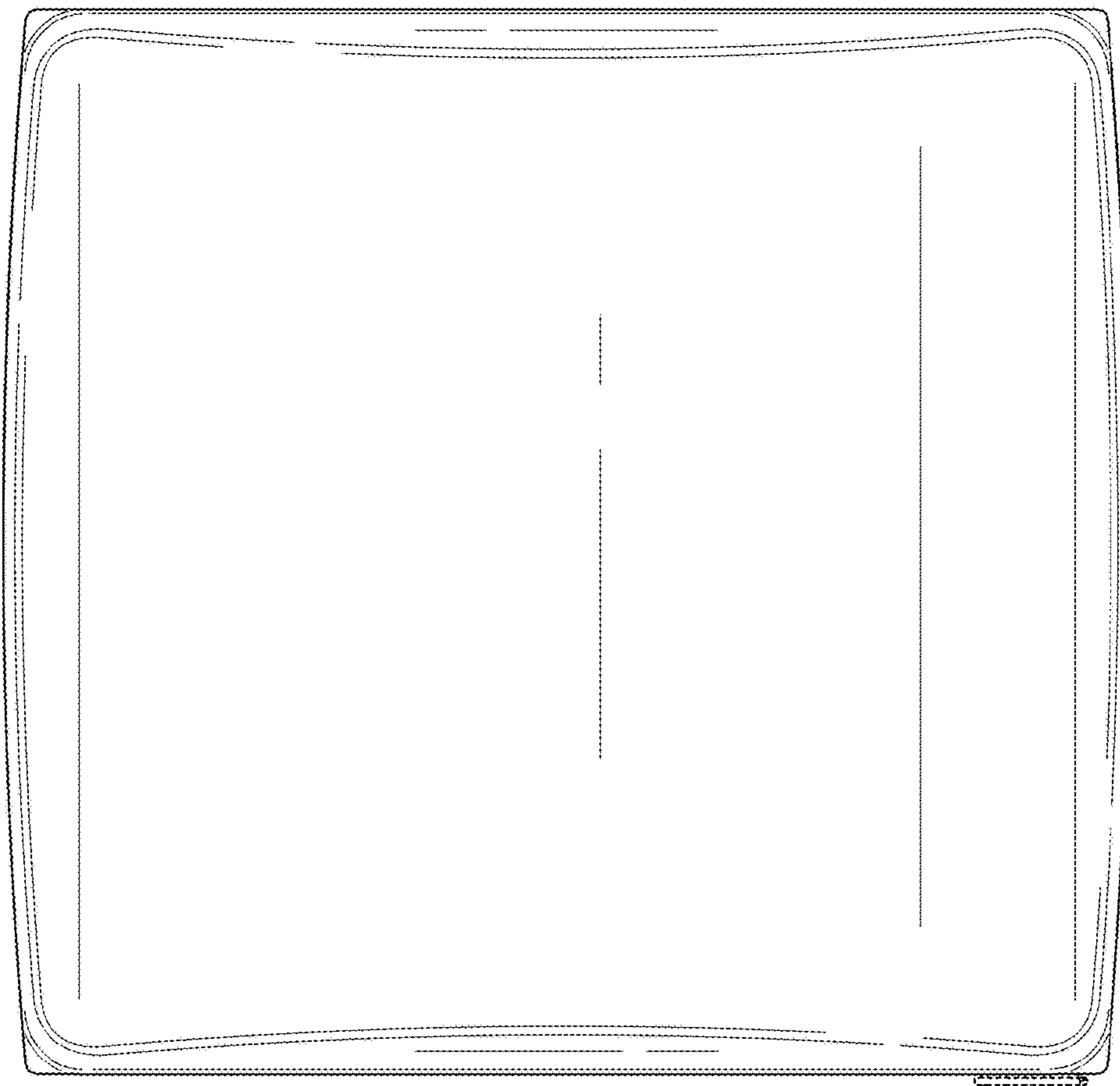


FIG. 3

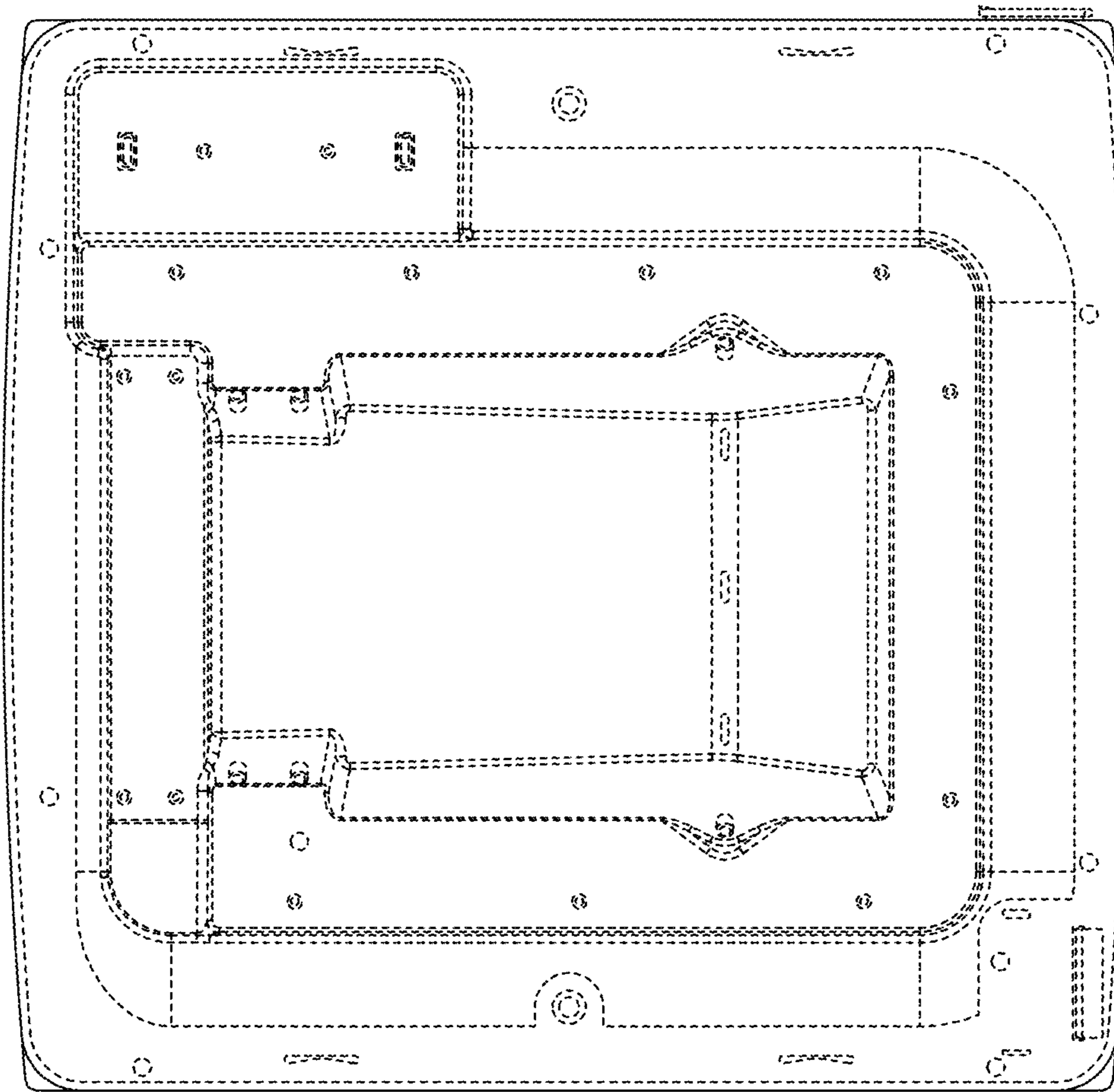


FIG. 4

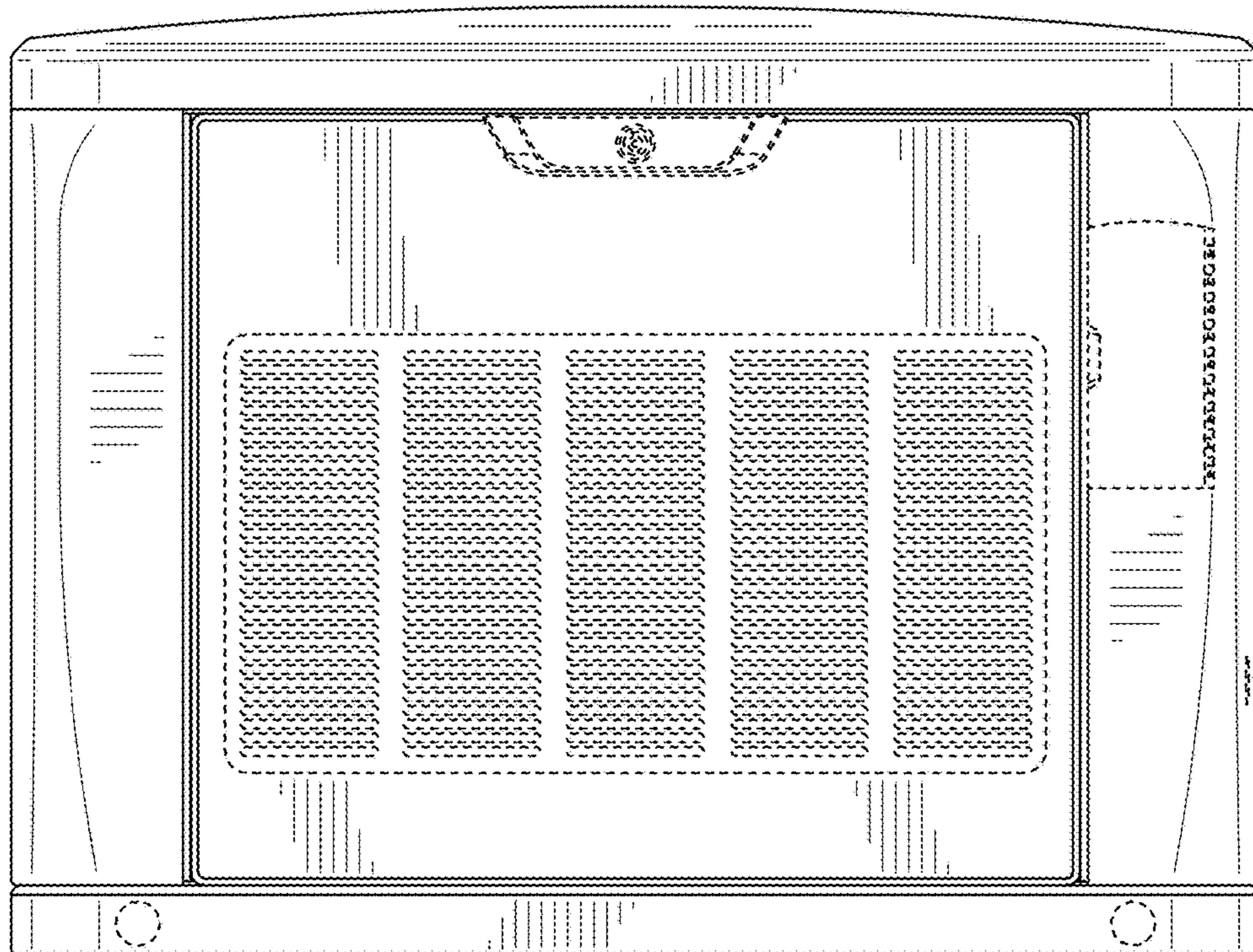


FIG. 5

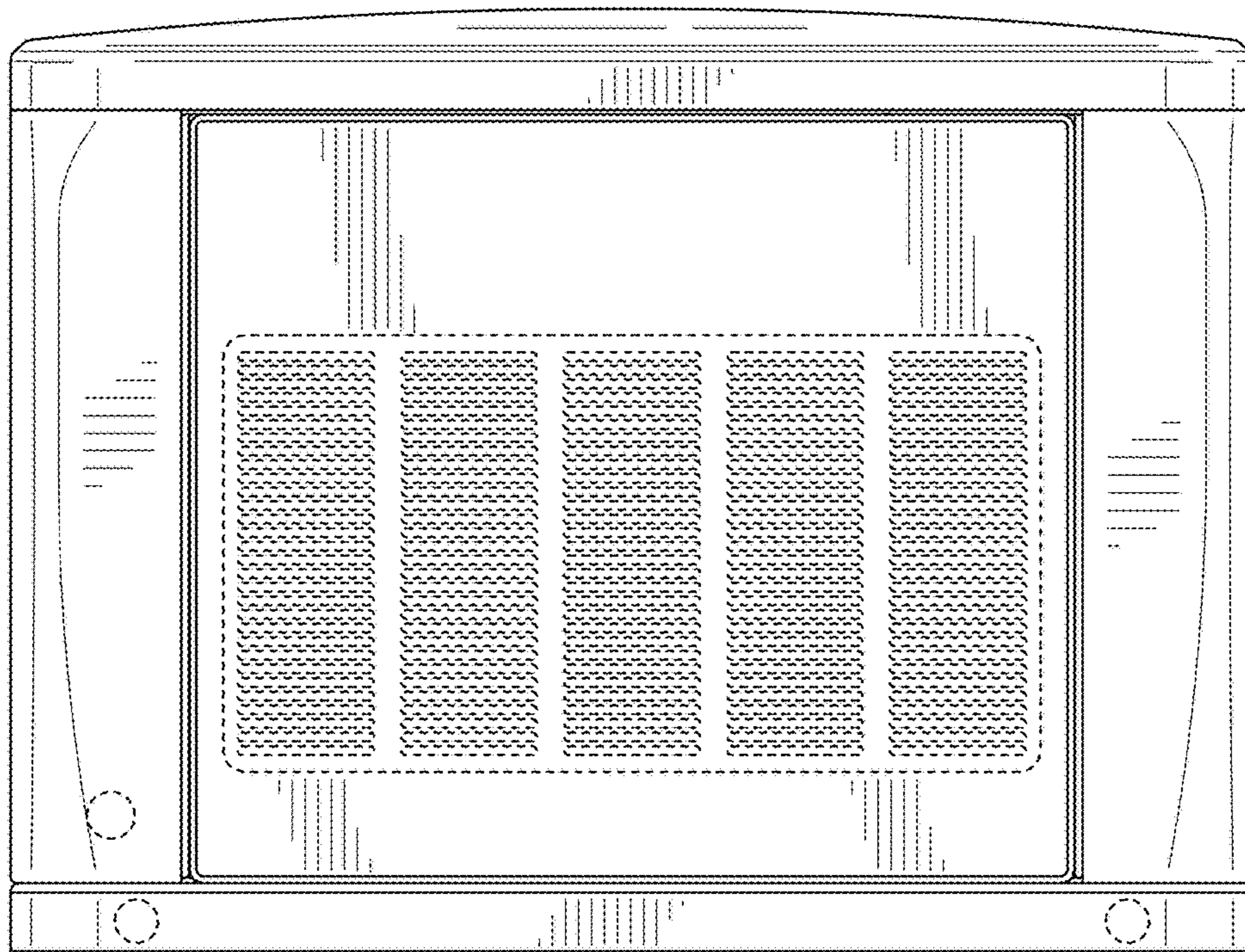


FIG. 6



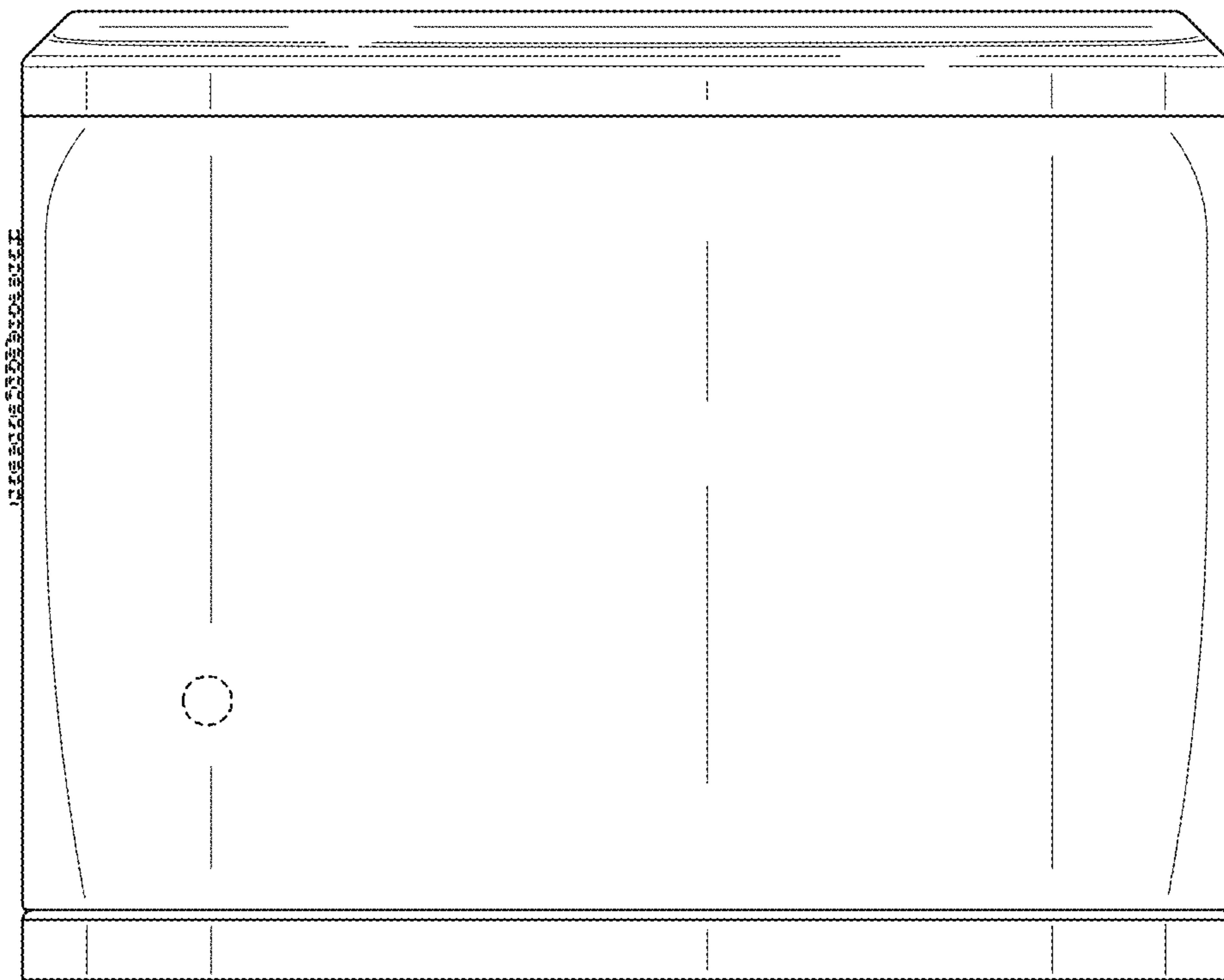


FIG. 7

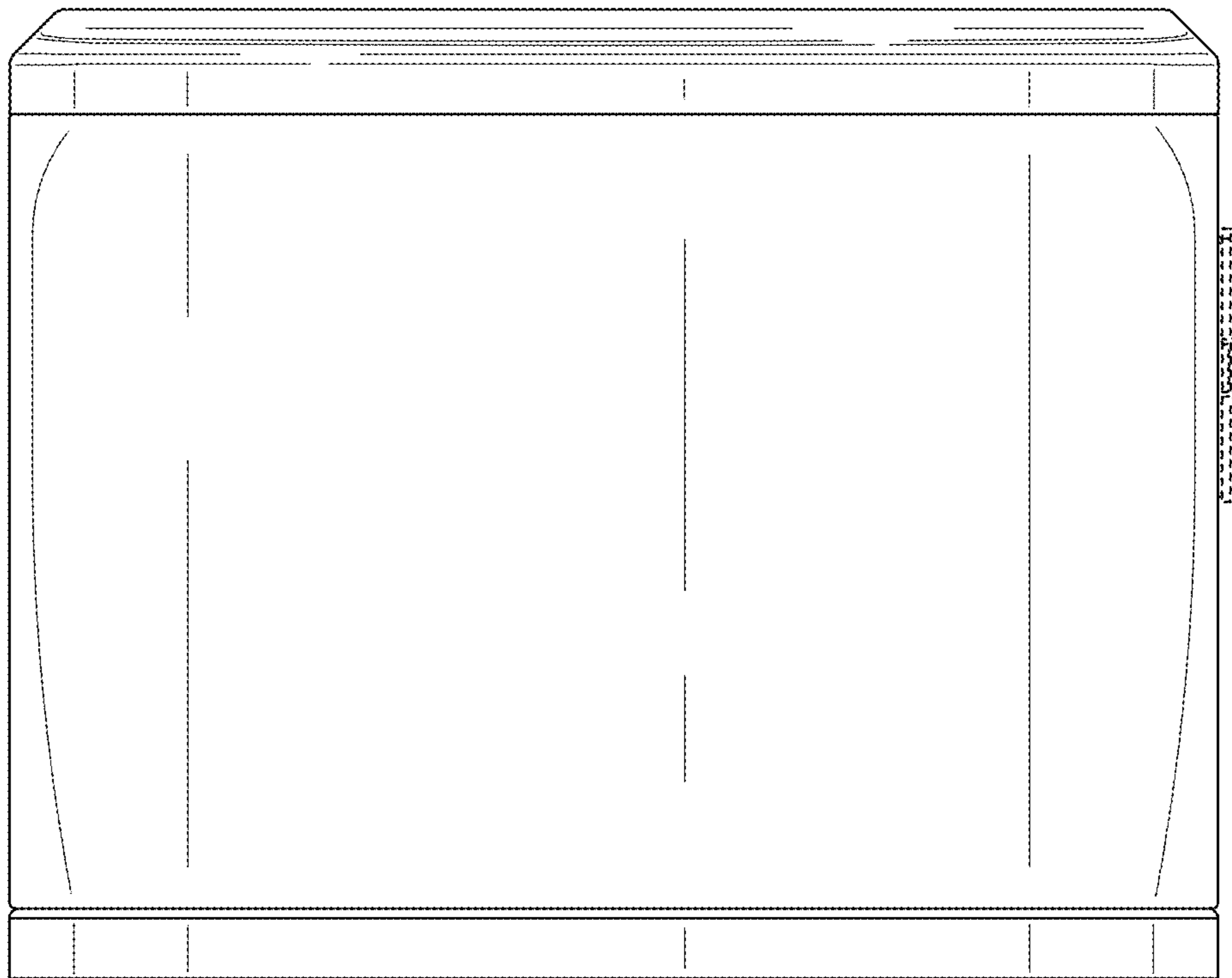


FIG. 8

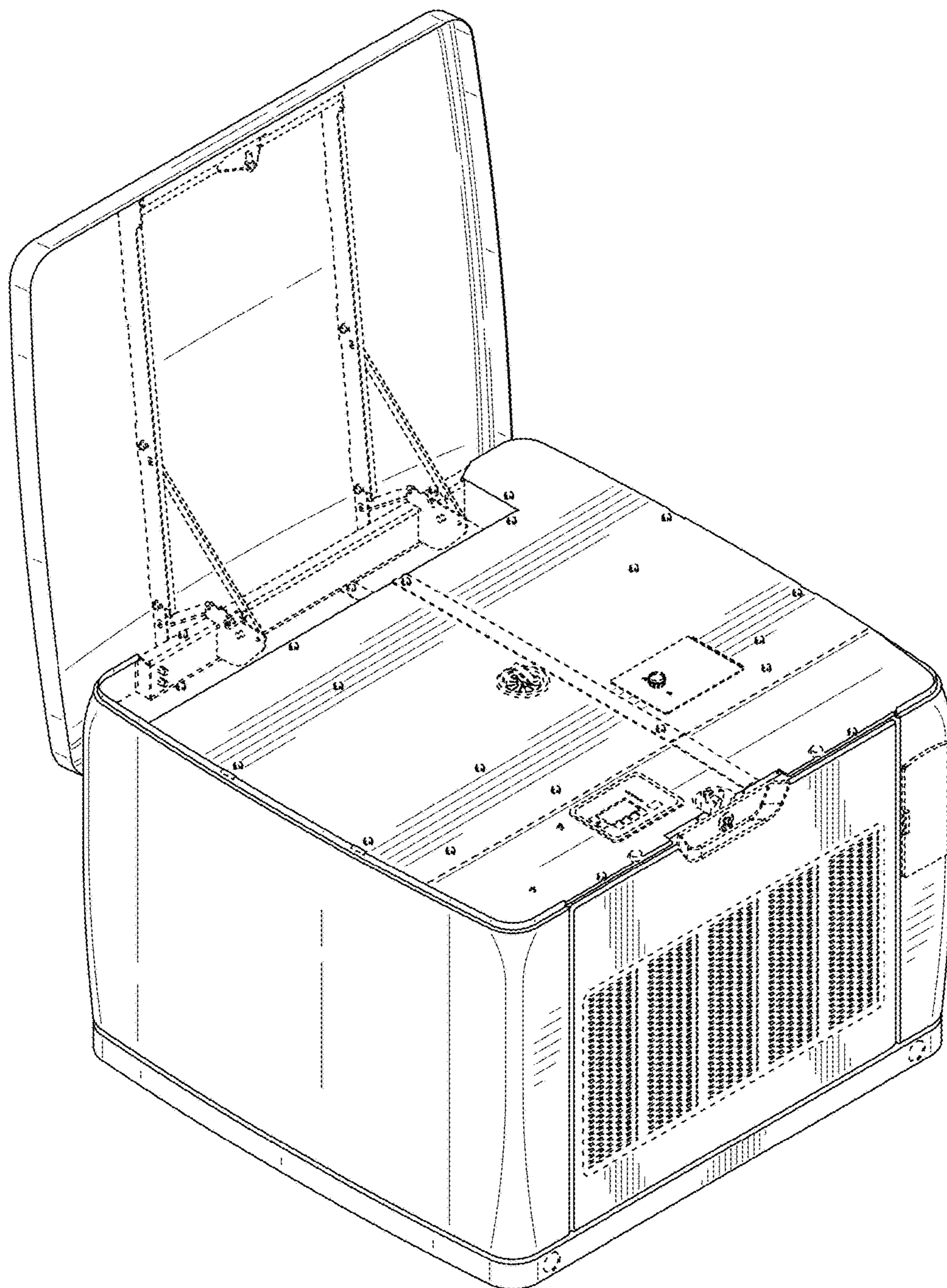


FIG. 9

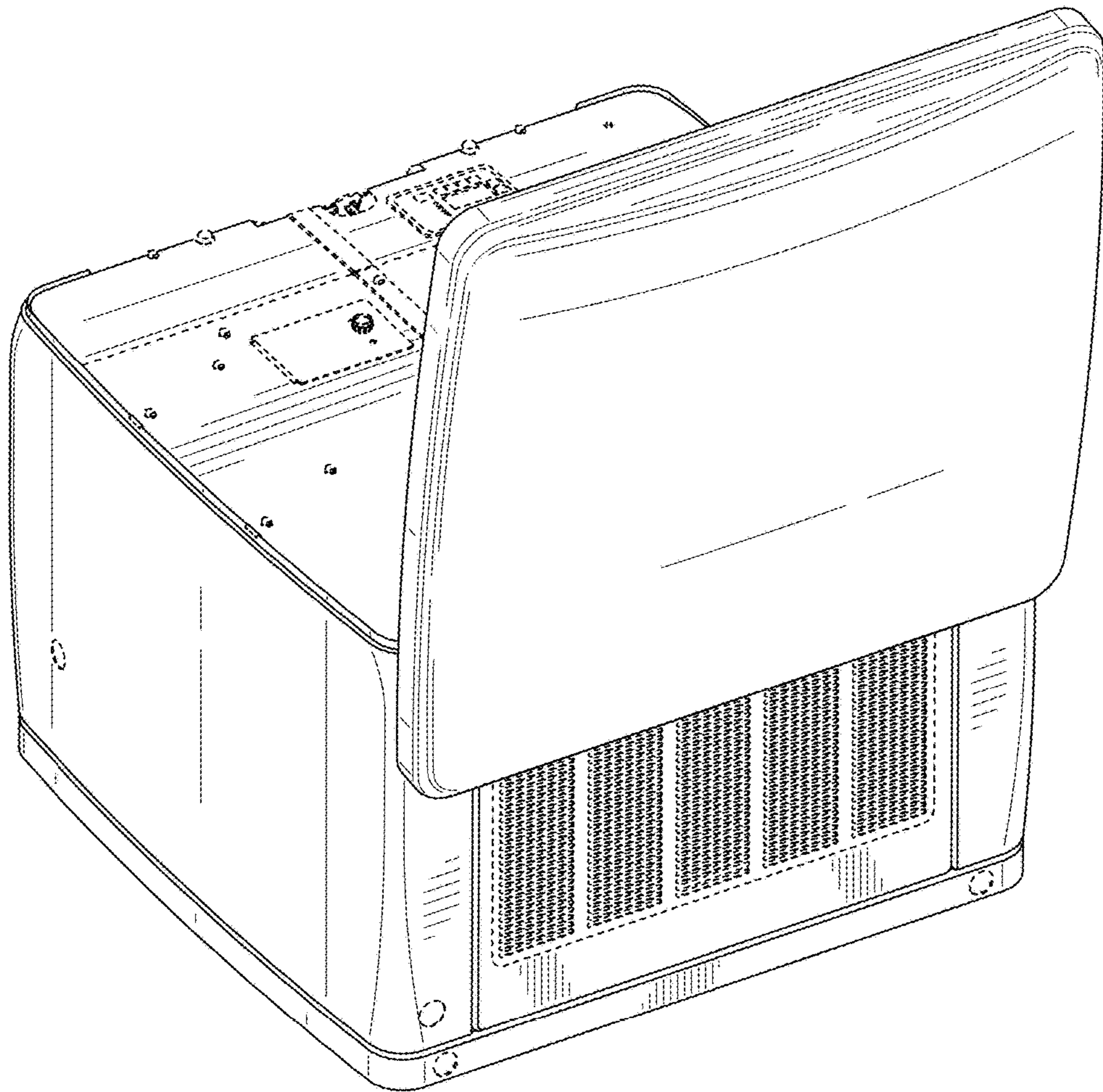


FIG. 10

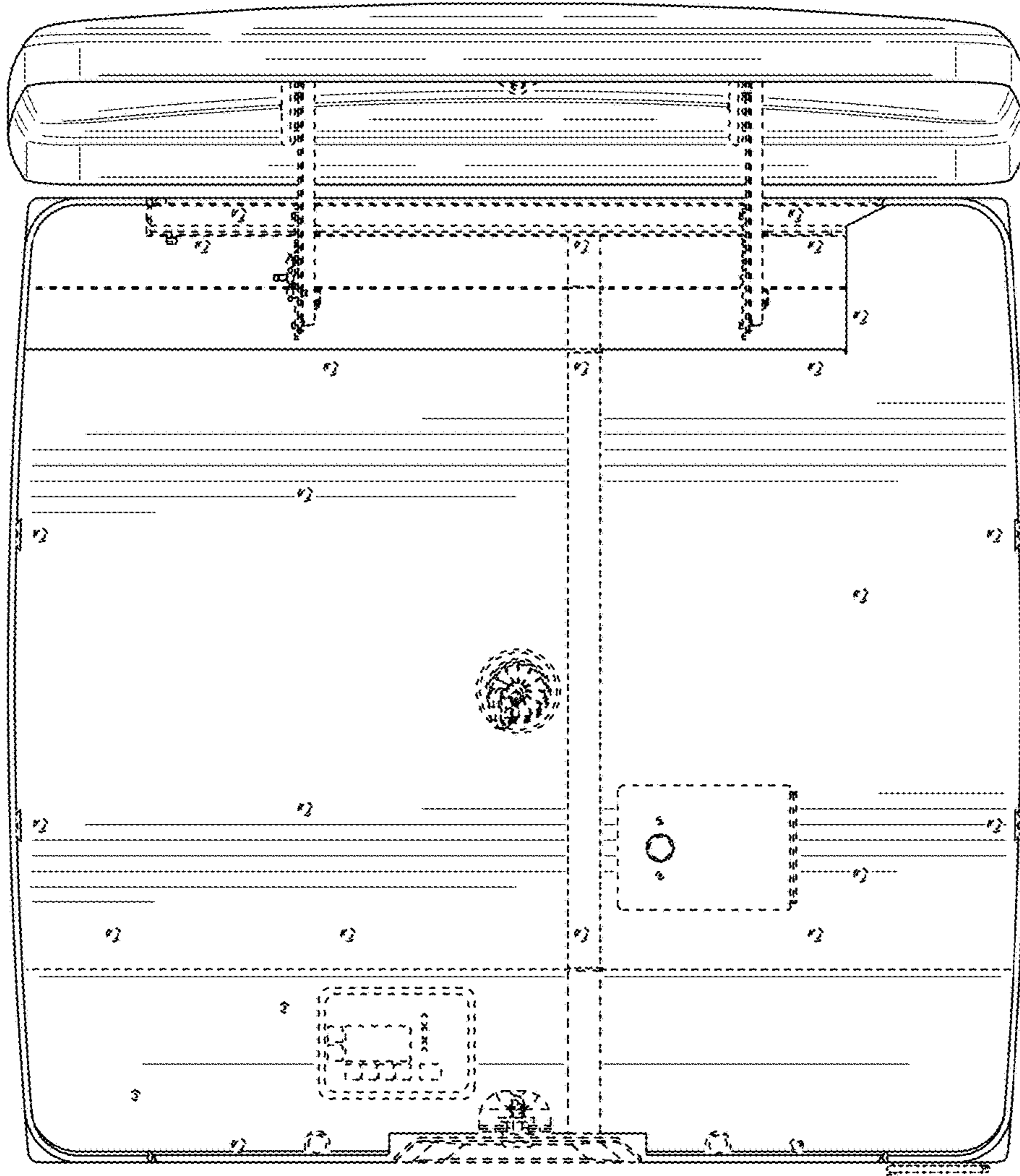


FIG. 11

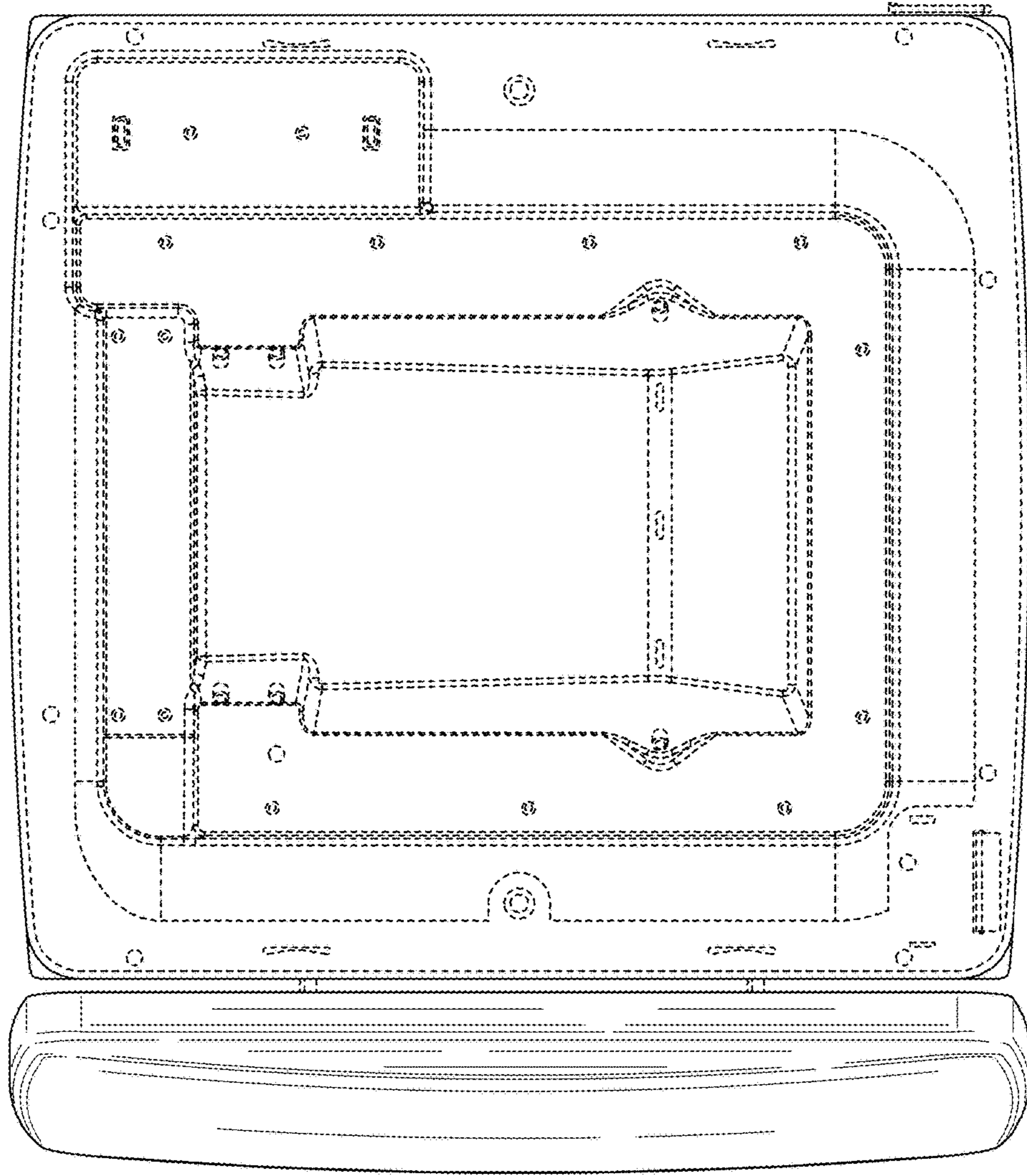


FIG. 12

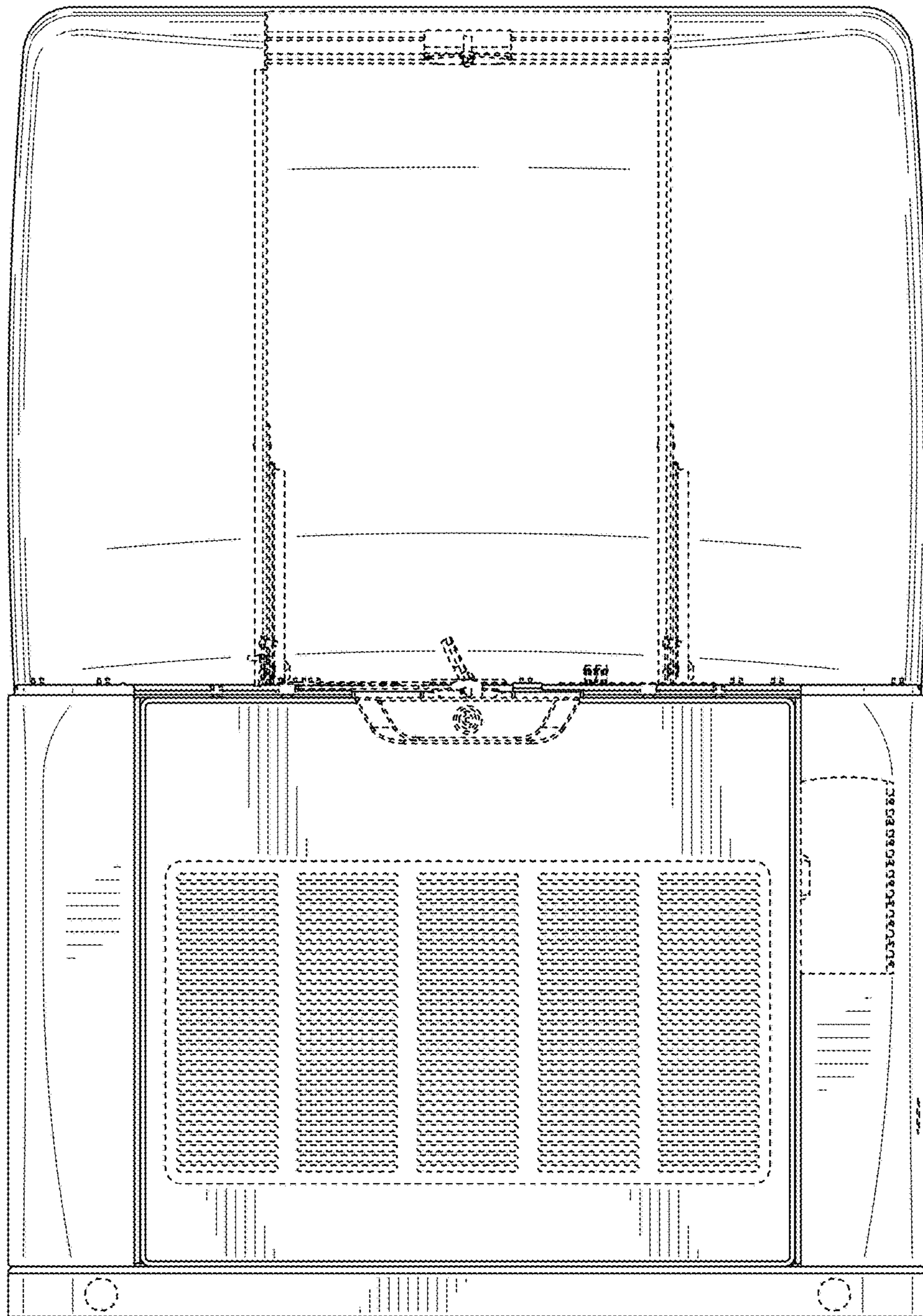


FIG. 13

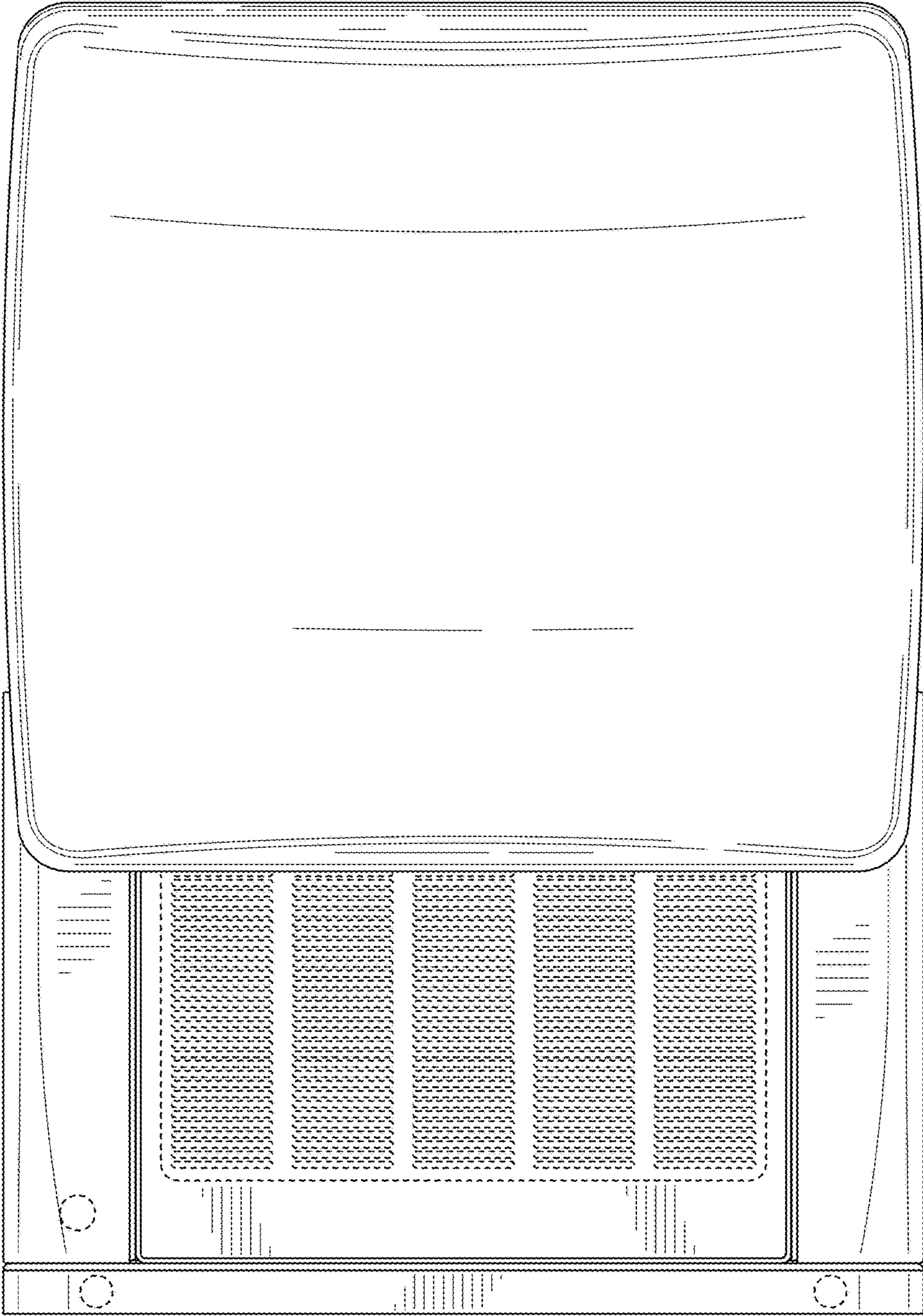


FIG. 14



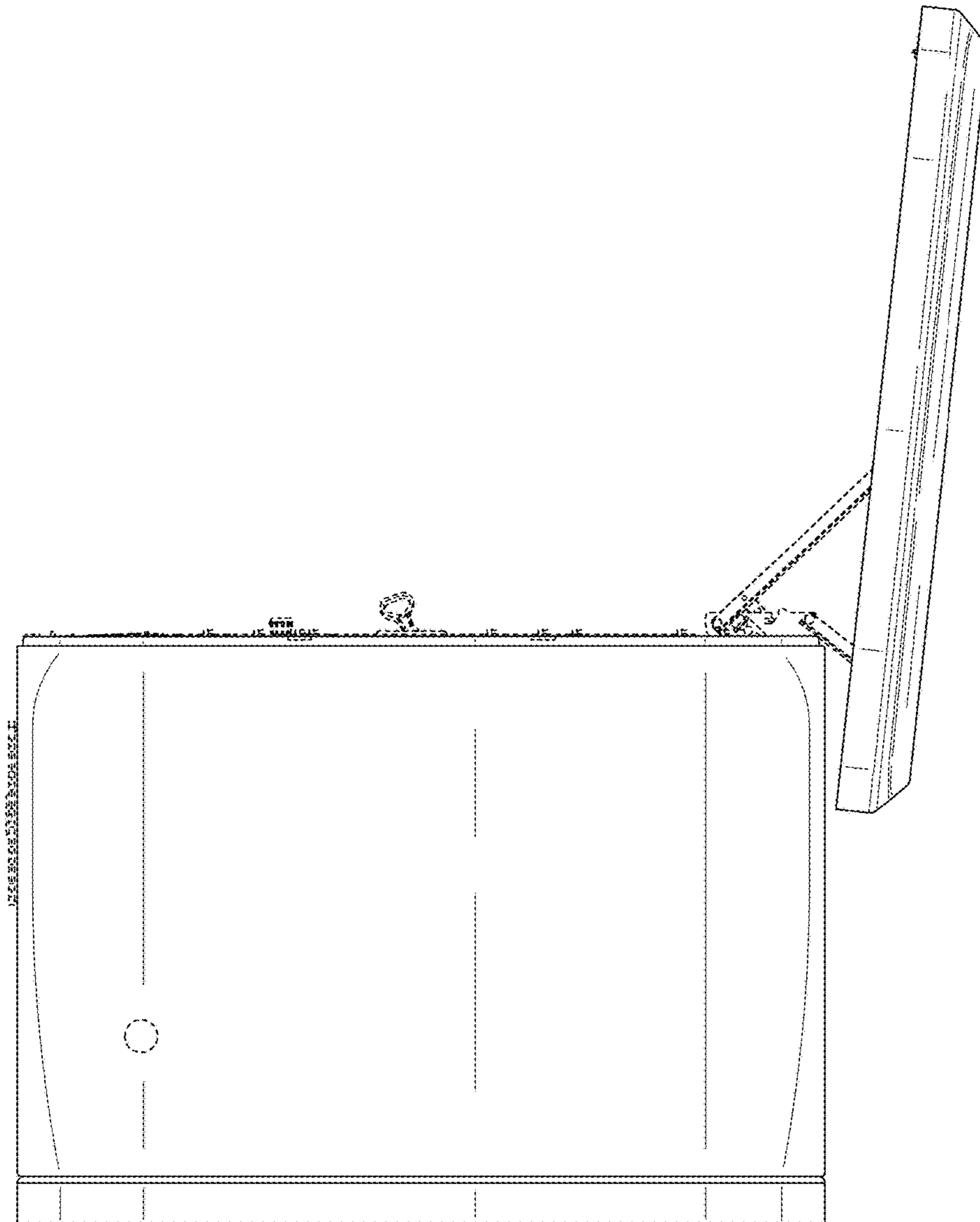


FIG. 15

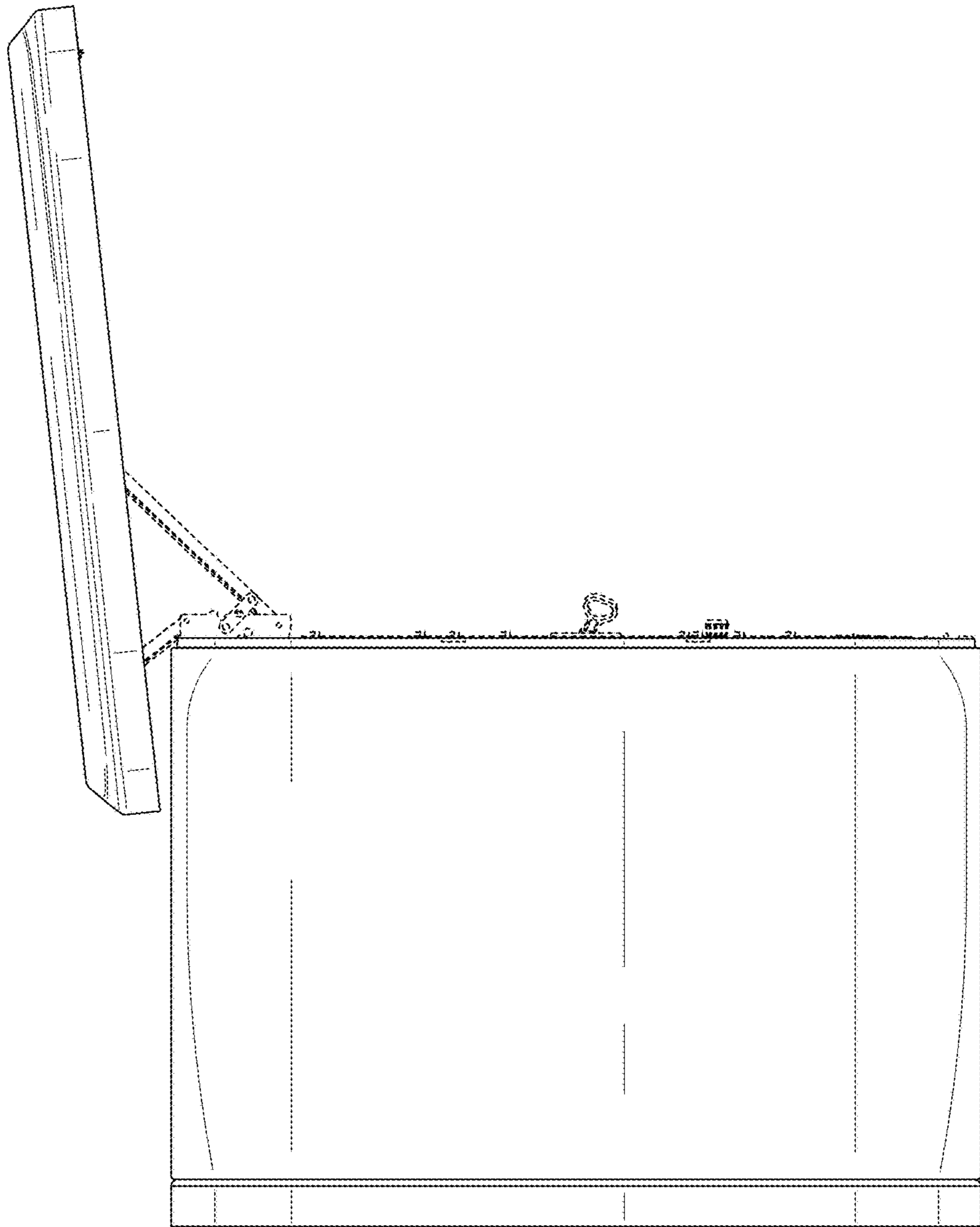


FIG. 16