



US00D840335S

(12) **United States Design Patent** (10) **Patent No.:** **US D840,335 S**  
**Gleave et al.** (45) **Date of Patent:** **\*\* Feb. 12, 2019**

(54) **MODULAR POWER SUPPLY STATION**

*Primary Examiner* — Derrick E Holland

(71) Applicant: **IAP Worldwide Services, Inc.**, Cape Canaveral, FL (US)

*Assistant Examiner* — Jennifer O King

(74) *Attorney, Agent, or Firm* — Greenberg Traurig, LLP

(72) Inventors: **Peter S. Gleave**, Dorset (GB); **Philip Robinson**, Dorset (GB); **Elaine Medway**, Dorset (GB)

(57) **CLAIM**

The ornamental design for a modular power supply station, as shown and described.

(73) Assignee: **IAP Worldwide Services, Inc.**, Cape Canaveral, FL (US)

(\*\*) Term: **15 Years**

**DESCRIPTION**

(21) Appl. No.: **29/546,973**

FIG. 1 is a first front perspective view of a modular power supply station showing our new design;

(22) Filed: **Nov. 30, 2015**

FIG. 2 is a rear perspective view of a modular power supply station shown in FIG. 1;

(51) **LOC (11) Cl.** ..... **13-02**

(52) **U.S. Cl.**

USPC ..... **D13/110**

(58) **Field of Classification Search**

USPC ..... 123/2, 3; 290/1 A, 1 B, 1 R; 310/89; 322/100; 361/730, 836; D13/101, D13/110-116, 118, 122, 184, 199; D23/111, 351, 395

CPC ..... H01L 23/427; G06F 1/20; G06F 1/181; H02K 35/02; H05K 7/20581

See application file for complete search history.

FIG. 3 is a second front perspective view of the modular power supply station shown in FIG. 1 with the generator unit drawer shown in the open position;

FIG. 4 is a third front perspective view of the modular power supply station shown in FIG. 1 with the energy storage unit drawer shown in the open position;

FIG. 5 is a top view of the modular power supply station shown in FIG. 1 with the roof portion shown removed for ease of illustration;

FIG. 6 is a bottom view of the modular power supply station shown in FIG. 1 with the floor portion shown removed for ease of illustration;

FIG. 7 is a front view of the modular power supply station shown in FIG. 1;

FIG. 8 is a front view of the modular power supply station shown in FIG. 1;

FIG. 9 is a side cross-sectional view along lines 9-9 of FIG. 7; and,

FIG. 10 is a side cross-sectional view along lines 10-10 of FIG. 7.

The broken lines showing the inner and outer walls, floor, roof, fans, generator unit and energy storage unit of the modular power supply station are included to show features that form no part of the claimed design.

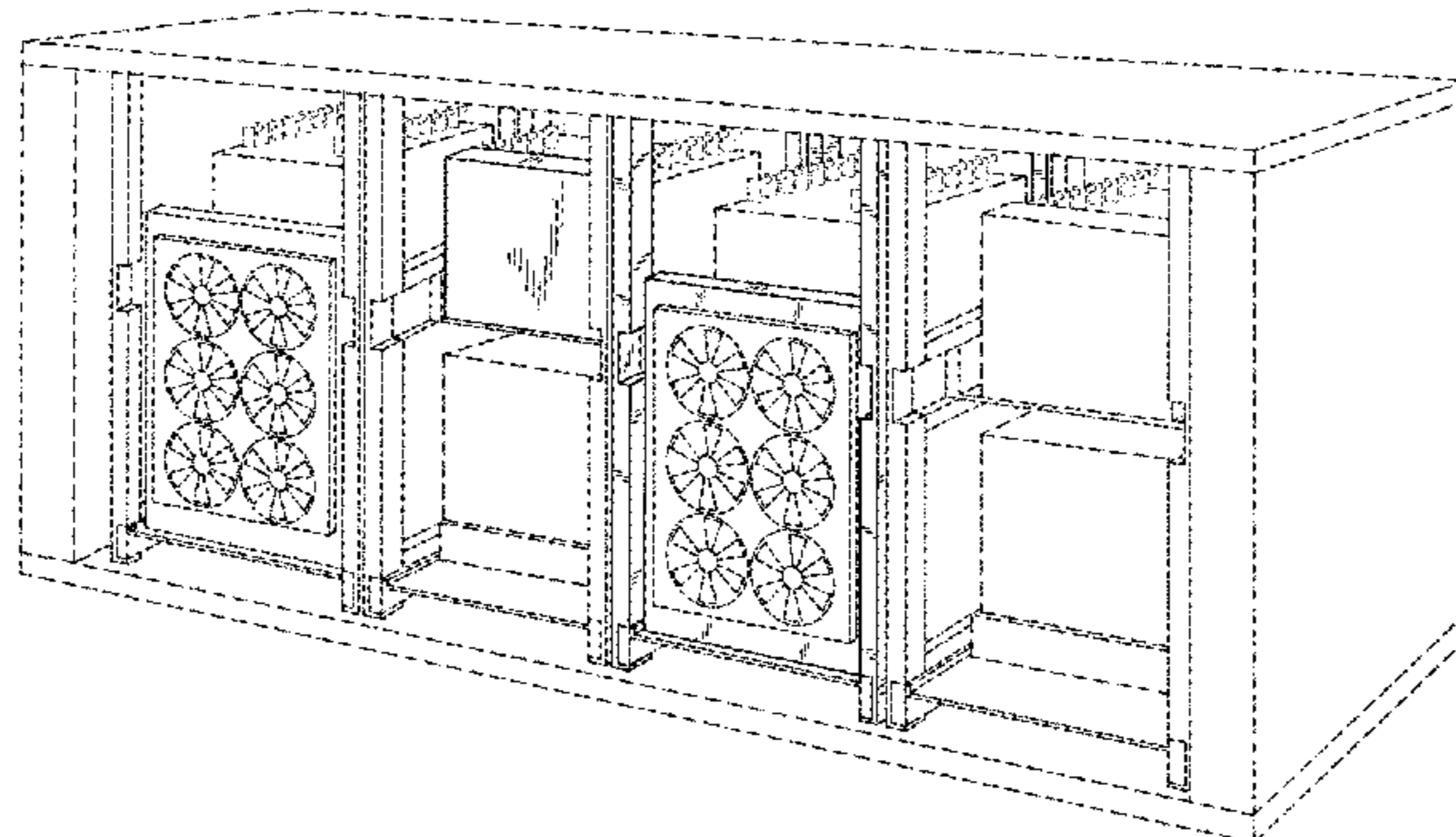
(56) **References Cited**

U.S. PATENT DOCUMENTS

D196,115 S *	8/1963	Berry, Jr.	.....	D13/184
D201,079 S *	5/1965	Smith, Jr.	.....	D13/184
D222,146 S *	10/1971	Urquhart	.....	D13/110
3,868,158 A *	2/1975	Laboue	.....	H05K 7/1401
				108/106
D235,653 S *	7/1975	Bozich	.....	D13/184
4,433,881 A *	2/1984	Witten	.....	H05K 5/0021
				312/107
D297,930 S *	10/1988	Bohm	.....	D13/184
D298,616 S *	11/1988	Aschbacher	.....	D13/110
D366,461 S *	1/1996	Spechts	.....	D13/184
D390,835 S *	2/1998	Mayfield, III	.....	D13/184

(Continued)

**1 Claim, 9 Drawing Sheets**



(56)

**References Cited**

U.S. PATENT DOCUMENTS

5,747,734 A \* 5/1998 Kozlowski ..... H02B 1/305  
174/37  
D645,427 S \* 9/2011 Delakowitz ..... D13/184  
D691,088 S \* 10/2013 Helosvuori ..... D13/123  
D778,853 S \* 2/2017 Skowranek ..... D13/184  
D801,291 S \* 10/2017 Gerber ..... D13/184  
2003/0227755 A1\* 12/2003 Haworth ..... G06F 1/184  
361/730

\* cited by examiner

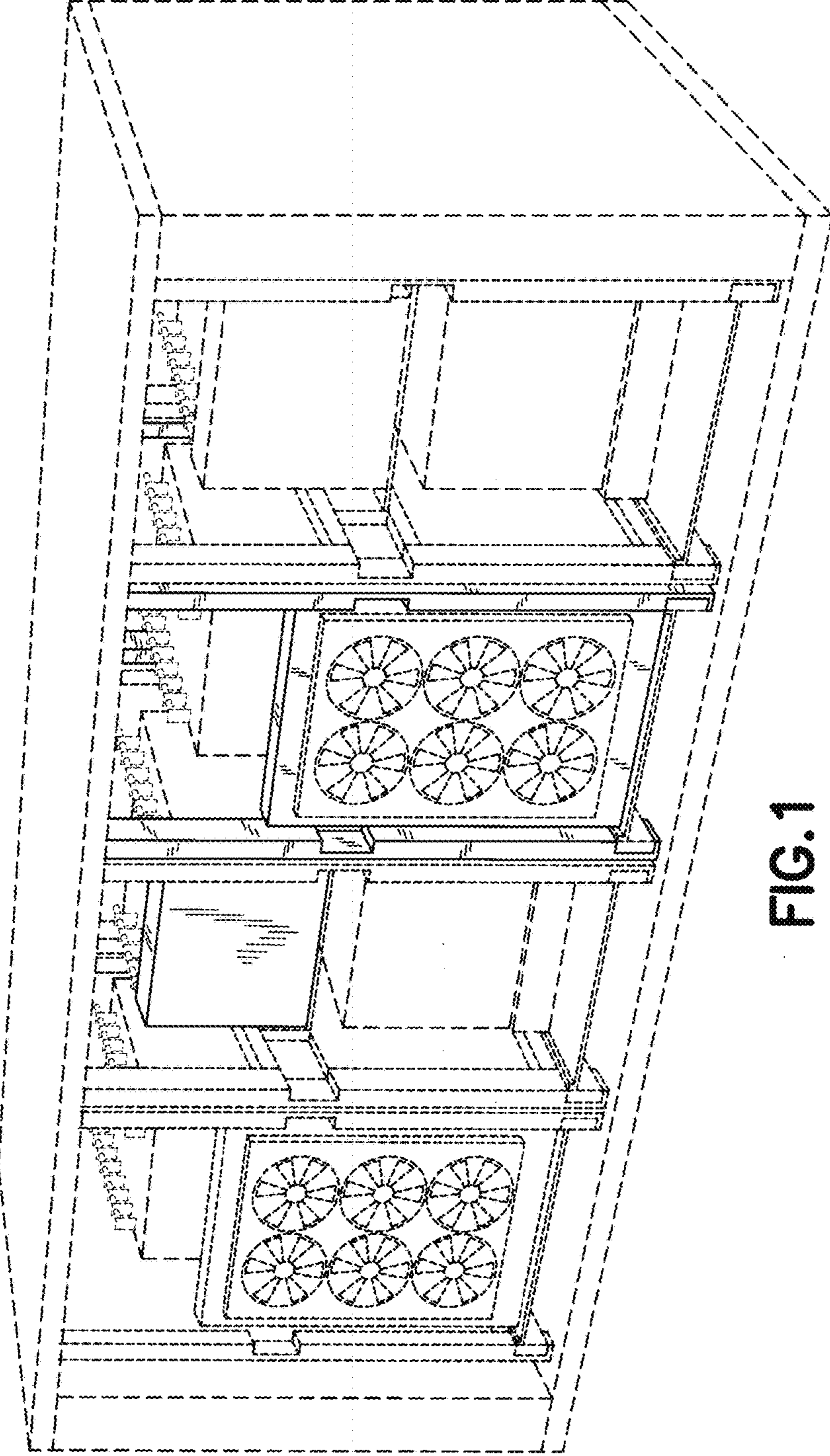


FIG.1

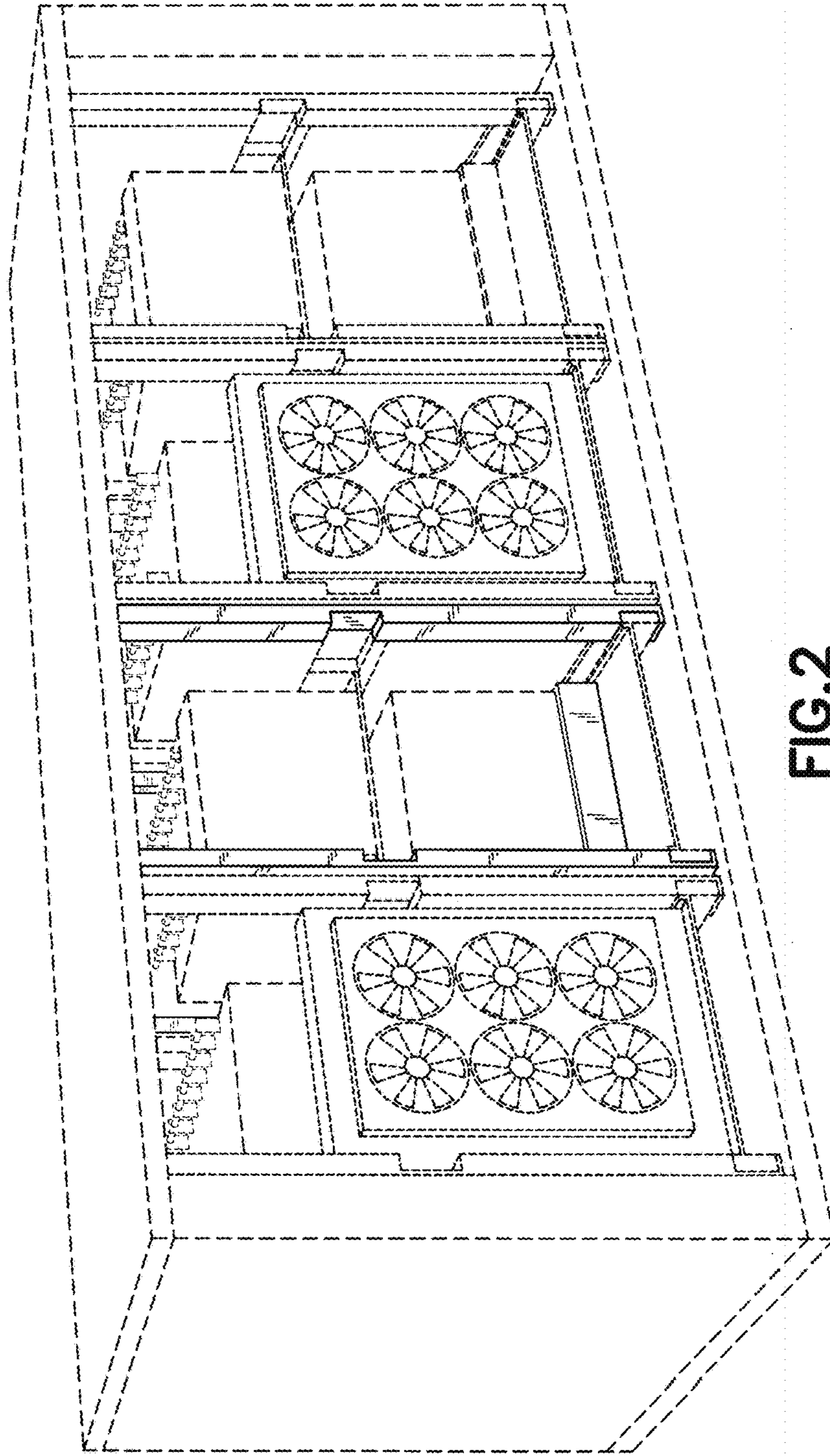


FIG. 2

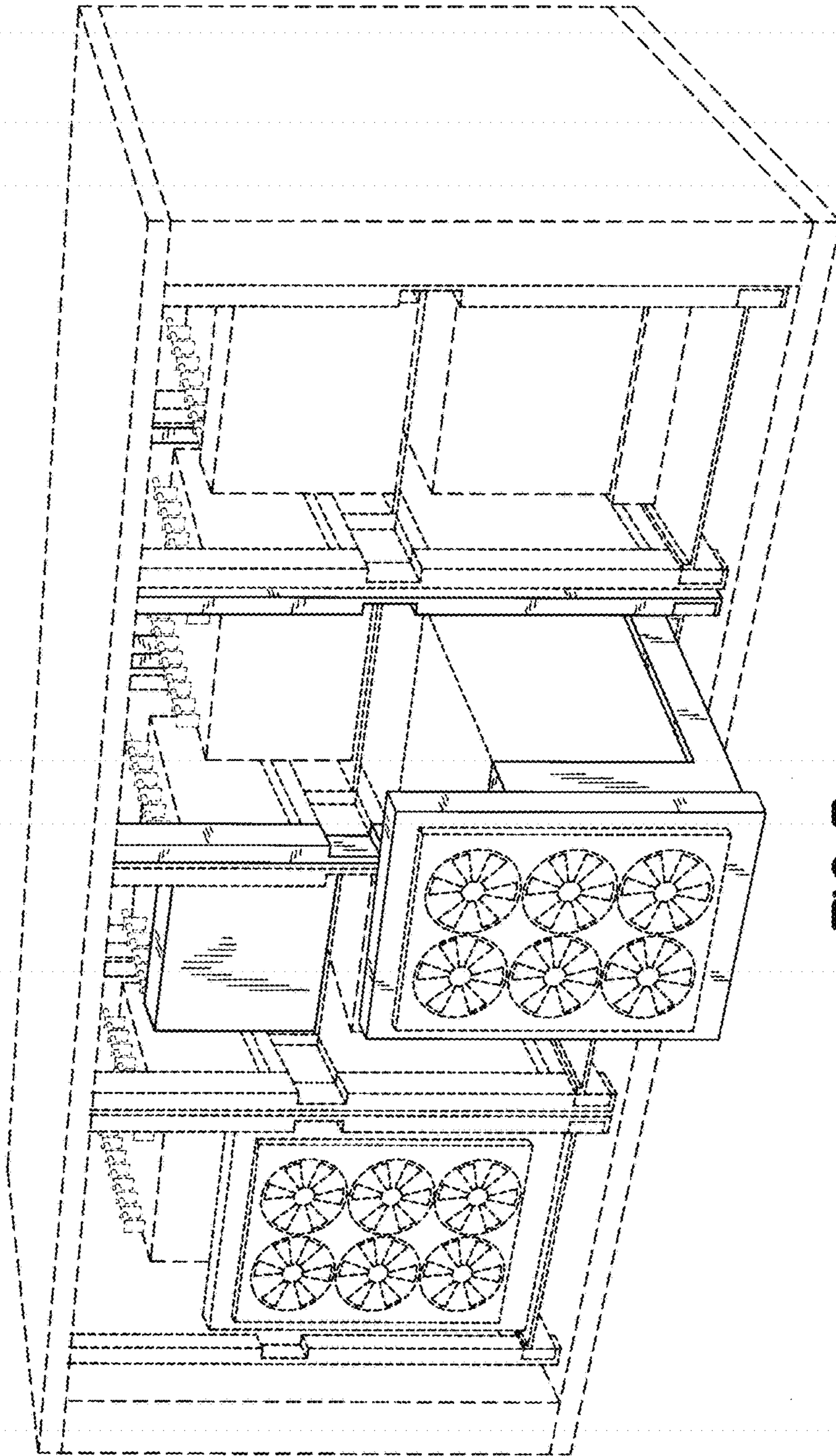


FIG. 3

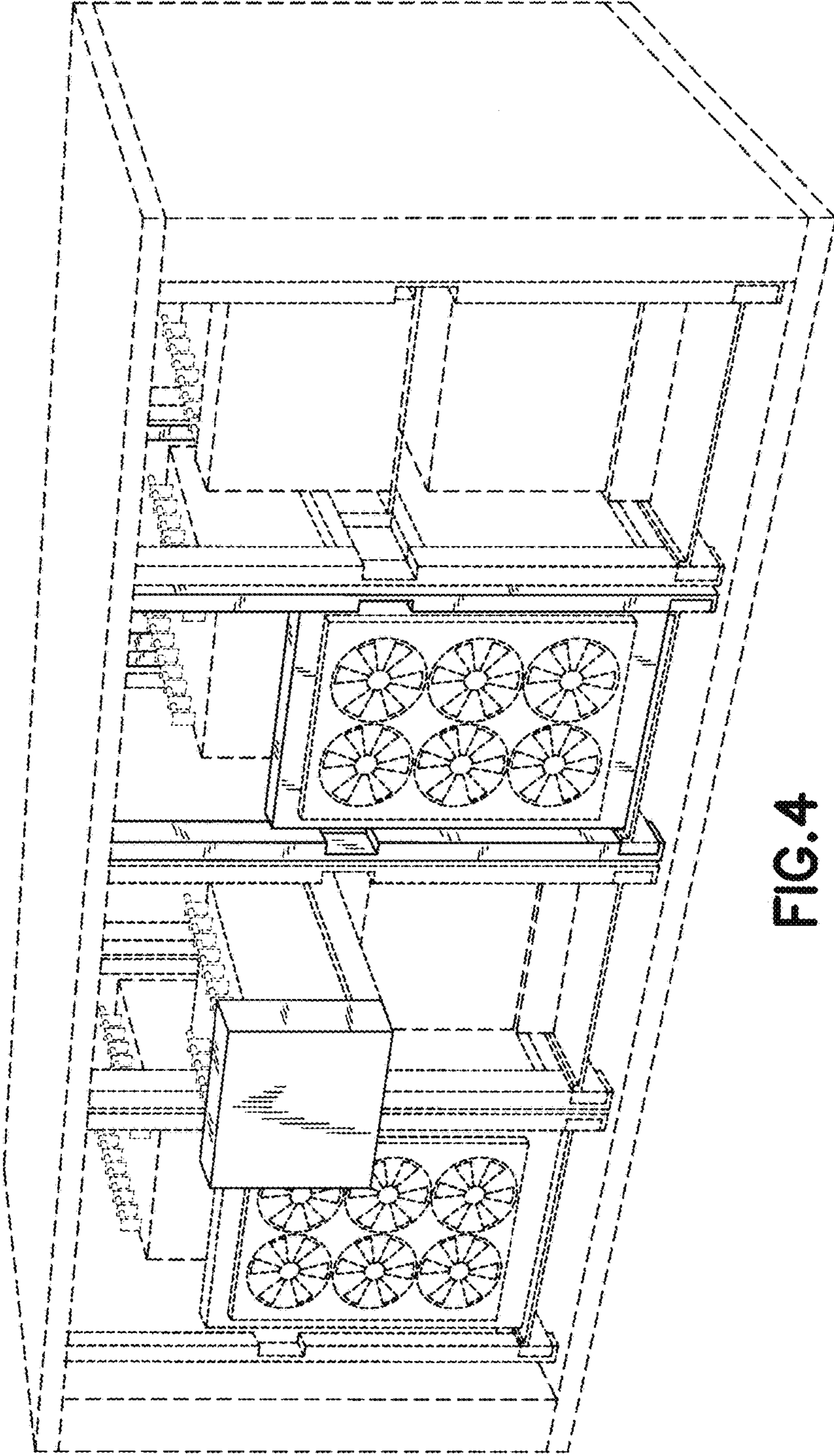


FIG.4

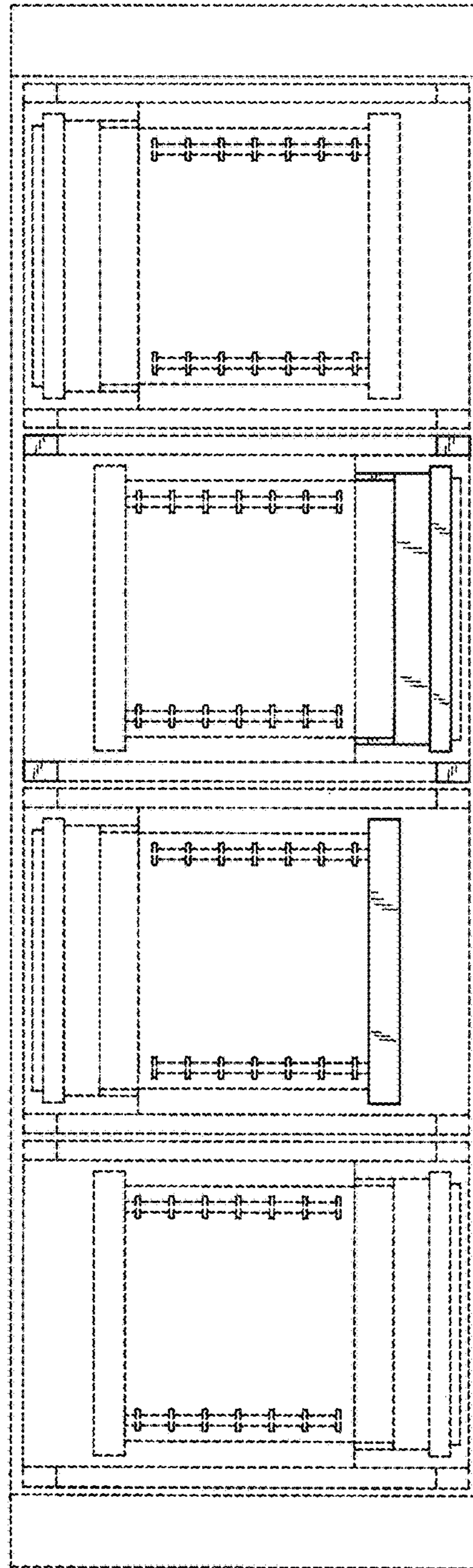


FIG. 5

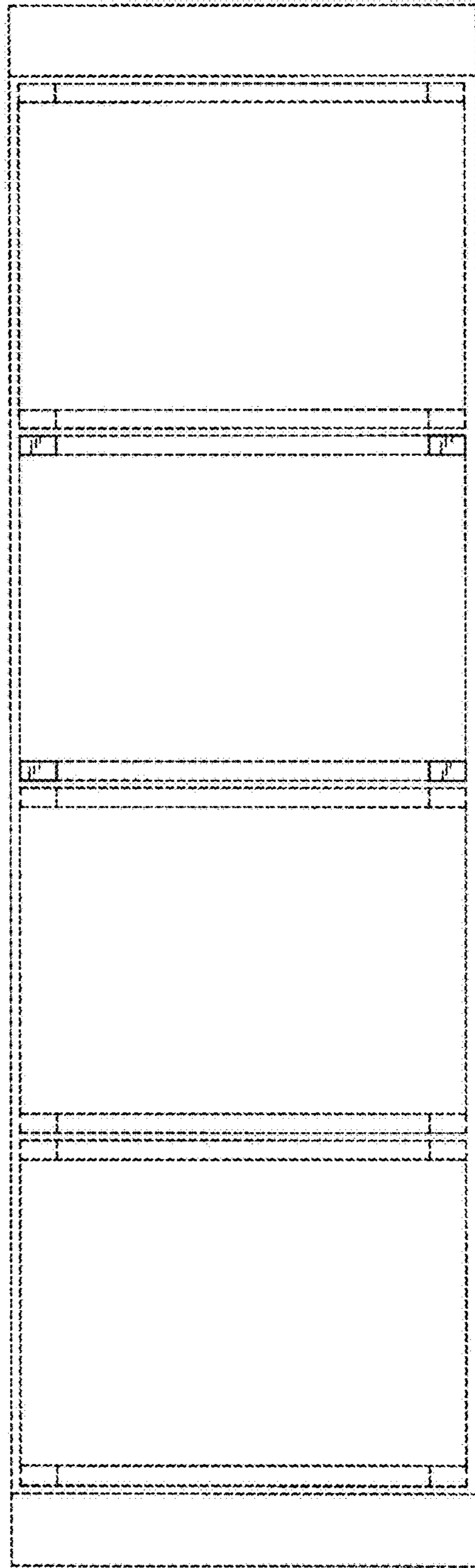


FIG. 6



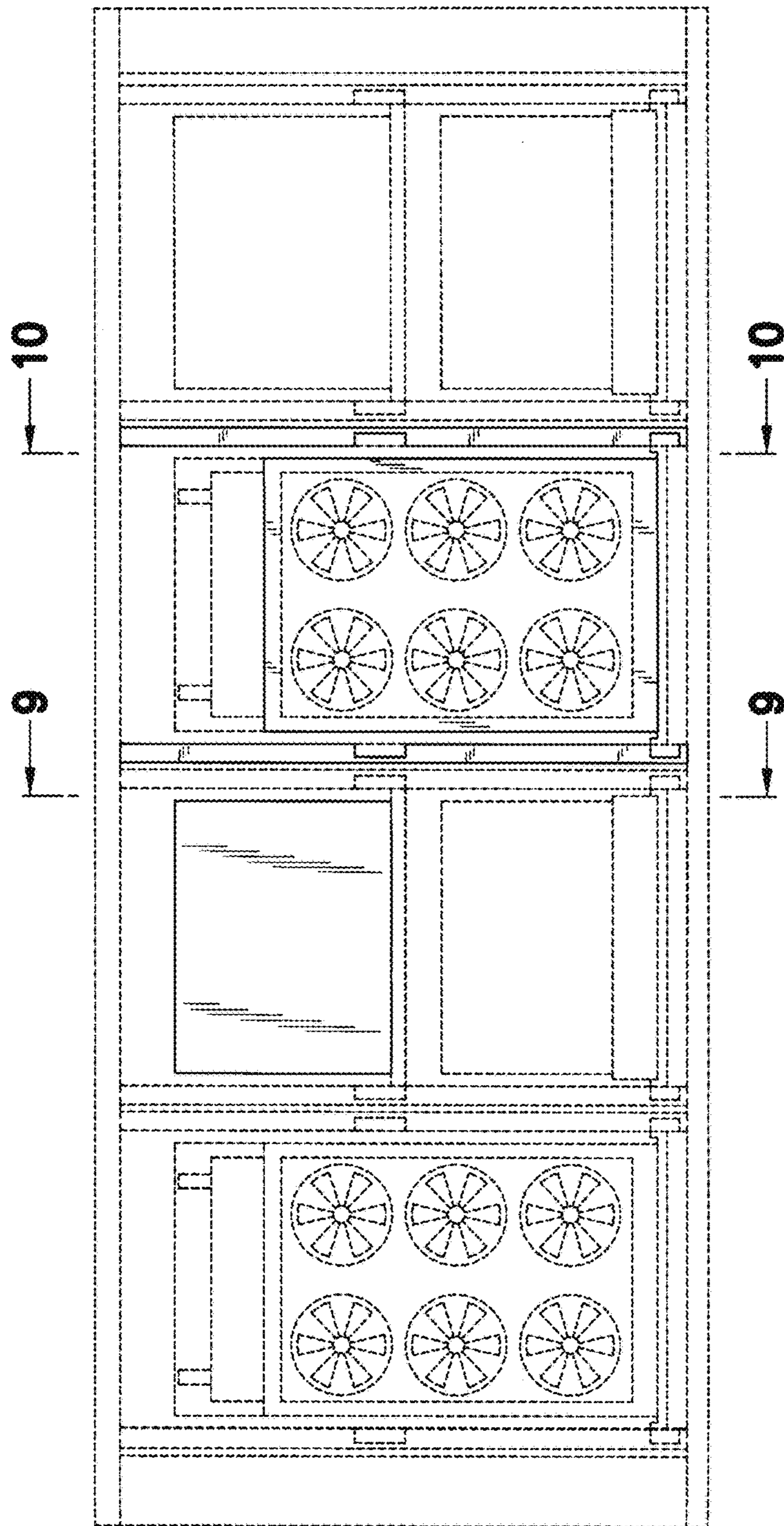


FIG.7

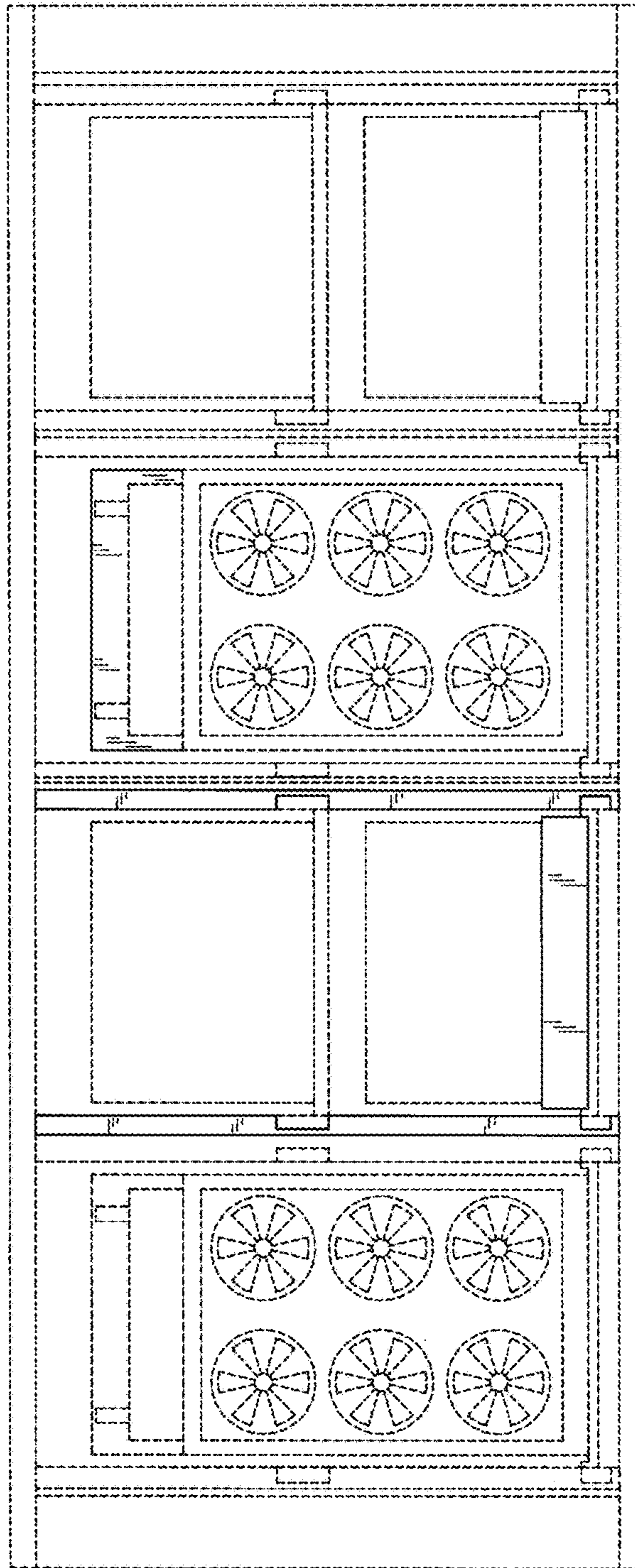


FIG.8

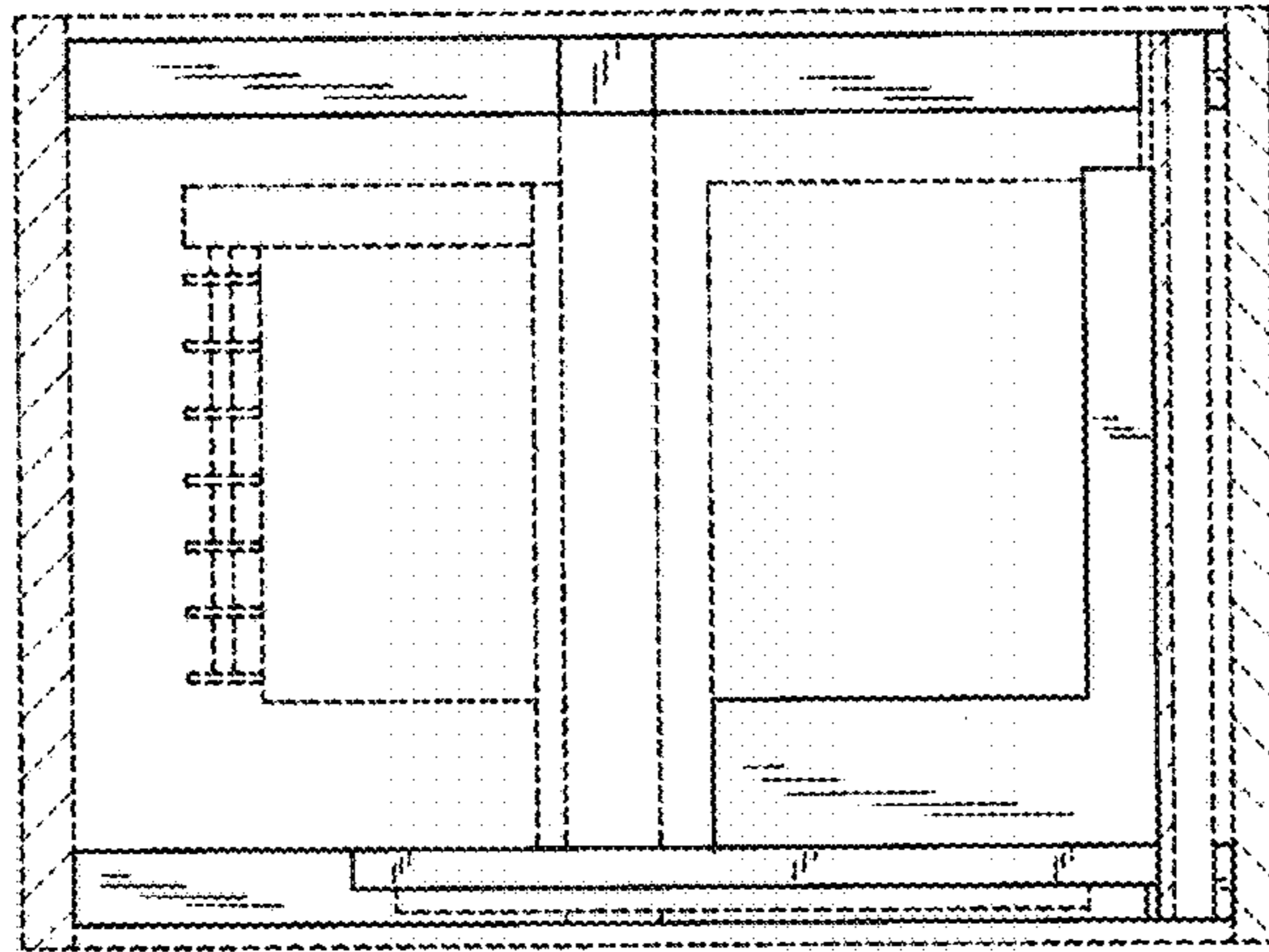


FIG. 10

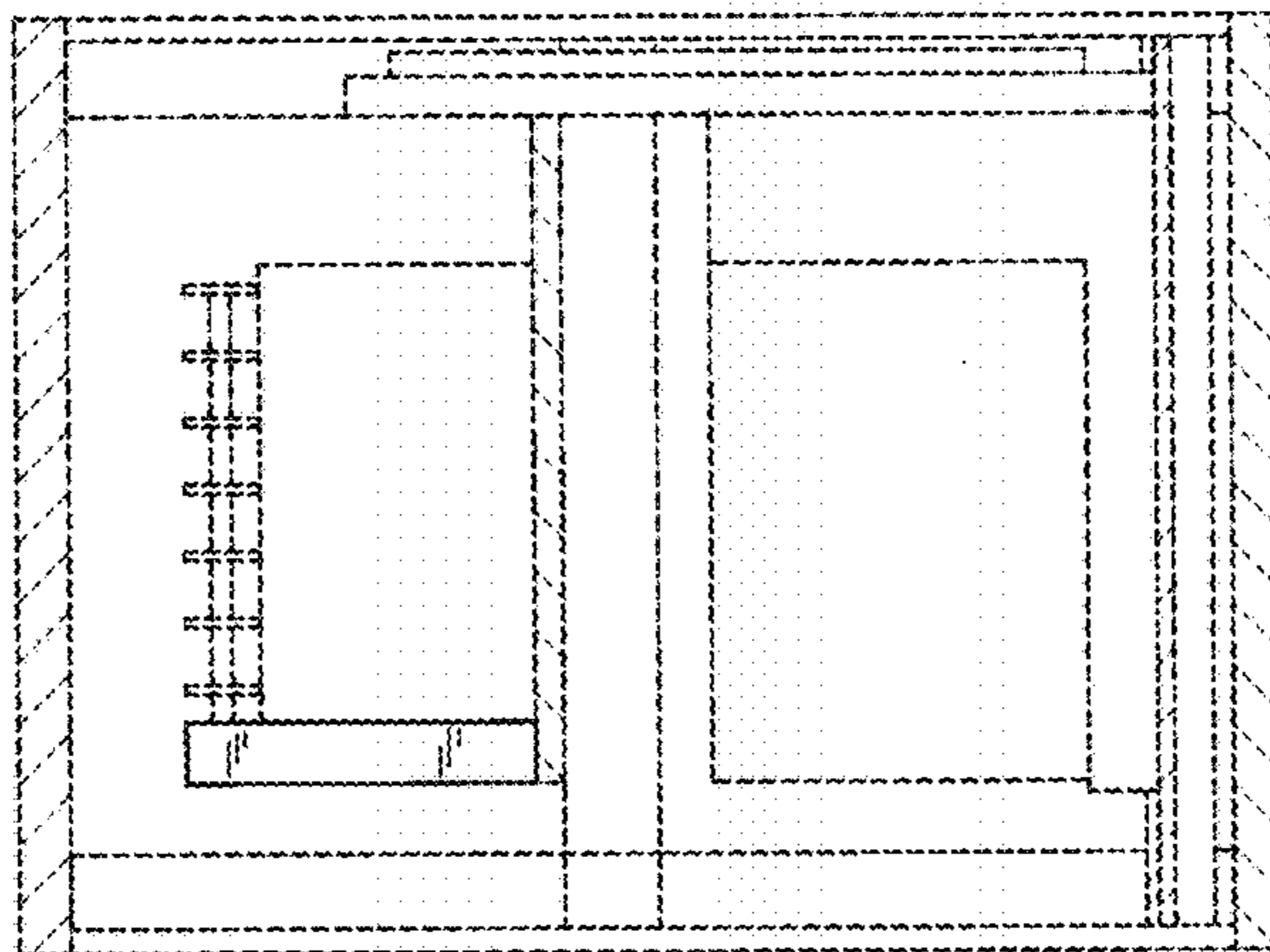


FIG. 9