

US00D840334S

(12) **United States Design Patent**
Concari

(10) **Patent No.:** **US D840,334 S**

(45) **Date of Patent:** **** Feb. 12, 2019**

- (54) **PORTABLE POWER SUPPLY**
- (71) Applicant: **Black & Decker Inc.**, New Britain, CT (US)
- (72) Inventor: **Gabriel E. Concari**, Eldersburg, MD (US)
- (73) Assignee: **Black & Decker Inc.**, New Britain, CT (US)
- (**) Term: **15 Years**
- (21) Appl. No.: **29/544,358**
- (22) Filed: **Nov. 3, 2015**
- (51) **LOC (11) Cl.** **13-02**
- (52) **U.S. Cl.**
USPC **D13/110**
- (58) **Field of Classification Search**
USPC 123/2, 3; 290/1 A, 1 B, 1 R; 310/89;
322/100; 361/730, 836; D13/101,
D13/107-108, 110-116, 118, 122, 184,
D13/199; D23/111, 351, 395
CPC . F02B 63/04; G06F 1/188; G06F 1/26; H02K
35/02
See application file for complete search history.

- D640,190 S * 6/2011 Aglassinger D13/103
- D652,793 S * 1/2012 Tschopp D13/107
- D653,203 S * 1/2012 DuMelle D13/107
- D654,870 S * 2/2012 Pehlari D13/110
- D655,245 S * 3/2012 Itoh D13/110
- D662,053 S * 6/2012 Inskeep D13/110
- D712,828 S * 9/2014 Delrue D13/108
- D773,992 S * 12/2016 Krantz D13/110
- D780,686 S * 3/2017 Glasow D13/103

(Continued)

Primary Examiner — Derrick E Holland
Assistant Examiner — Jennifer O King
(74) *Attorney, Agent, or Firm* — Michael Aronoff

(57) **CLAIM**

The ornamental design for a portable power supply, as shown and described.

DESCRIPTION

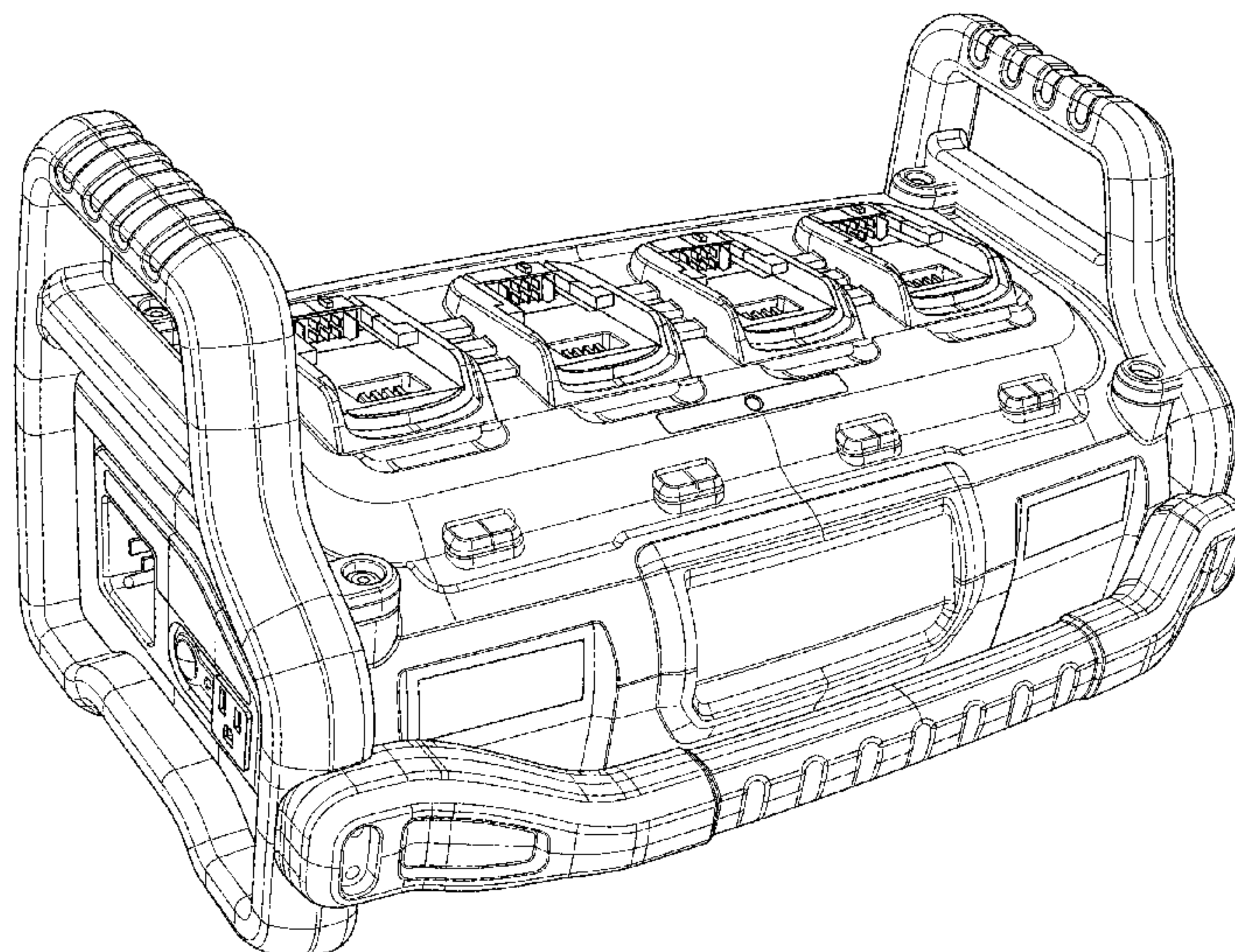
FIG. 1 is a front perspective view, from above, of a portable power supply of the present invention.
 FIG. 2 is another front perspective view, from above, thereof;
 FIG. 3 is a rear perspective view, from above, thereof;
 FIG. 4 is another rear perspective view, from above, thereof;
 FIG. 5 is a rear perspective view, from below, thereof;
 FIG. 6 is a front perspective view, from below, thereof;
 FIG. 7 is another front perspective view, from below, thereof;
 FIG. 8 is another rear perspective view, from below, thereof;
 FIG. 9 is a front elevation view thereof;
 FIG. 10 is a side elevation view thereof;
 FIG. 11 is a rear elevation view thereof;
 FIG. 12 is another side elevation view thereof;
 FIG. 13 is a bottom plan view thereof; and,
 FIG. 14 is a top plan view thereof.
 The broken lines shown represent portions of the portable power supply that form no part of the claimed design.

(56) **References Cited**

U.S. PATENT DOCUMENTS

- 4,288,733 A * 9/1981 Bilanceri H02J 7/0045
320/113
- D441,342 S * 5/2001 Hatch D13/110
- D469,401 S * 1/2003 Griffey D13/110
- D475,966 S * 6/2003 Chunn D13/108
- D479,195 S * 9/2003 Krieger D13/110
- D486,446 S * 2/2004 Hriscu D13/110
- D506,725 S * 6/2005 Watson D13/108
- D507,235 S * 7/2005 Rozwadowski D13/108
- D520,445 S * 5/2006 Van Wambeke D13/108

1 Claim, 14 Drawing Sheets



(56)

References Cited

U.S. PATENT DOCUMENTS

D793,336 S * 8/2017 Inskip D13/107
D793,338 S * 8/2017 Zheng D13/102

* cited by examiner

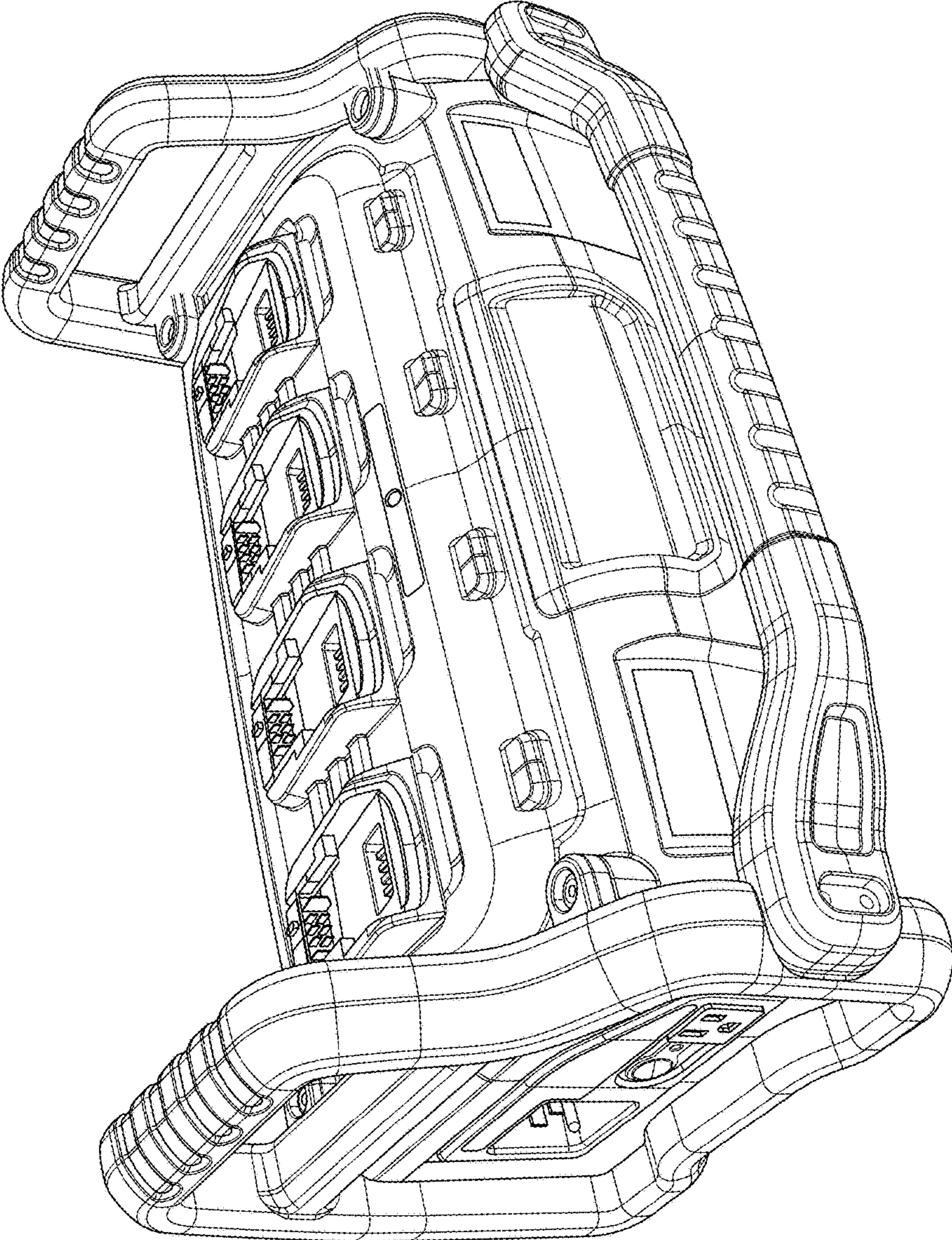


FIG. 1

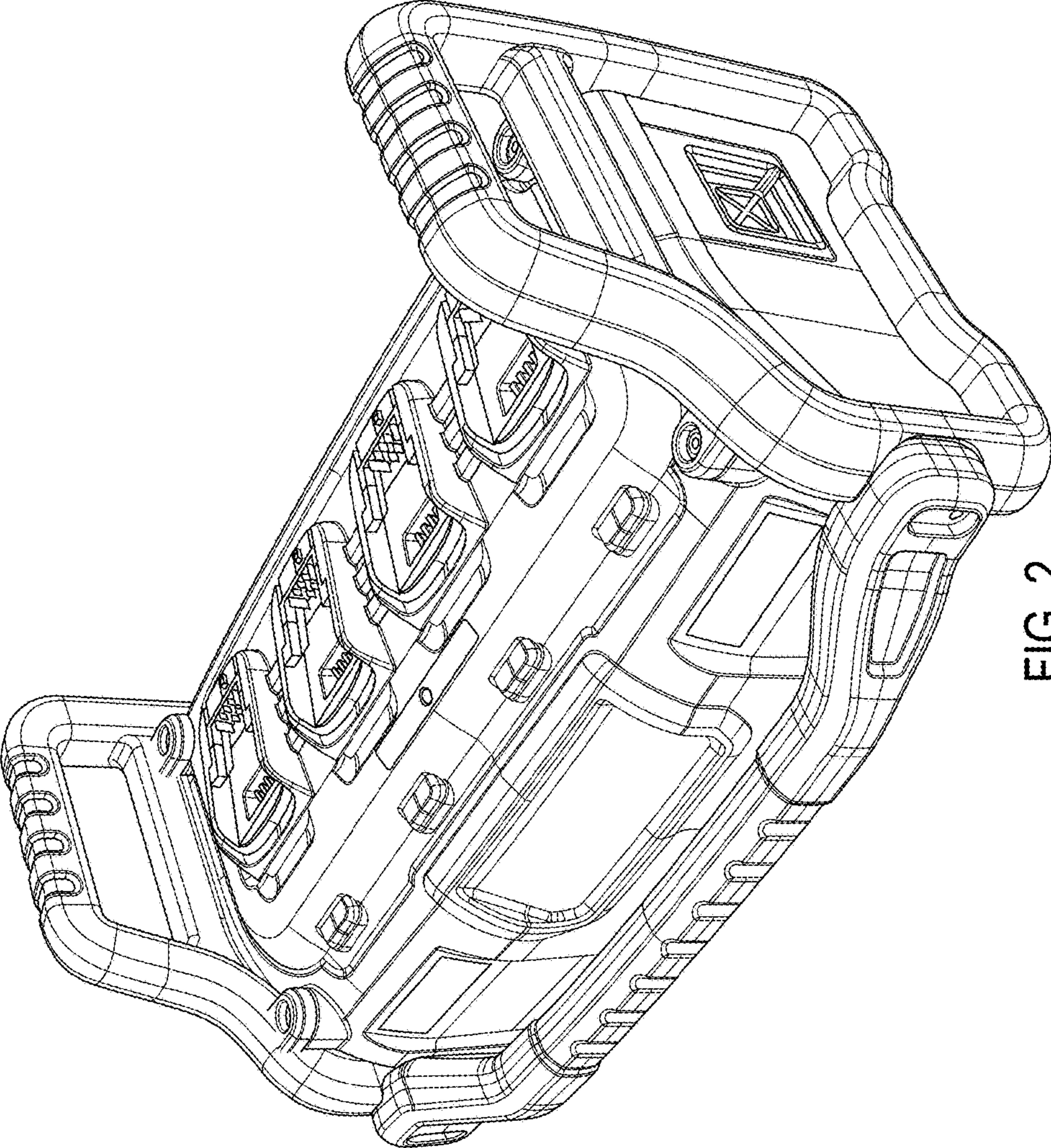


FIG. 2

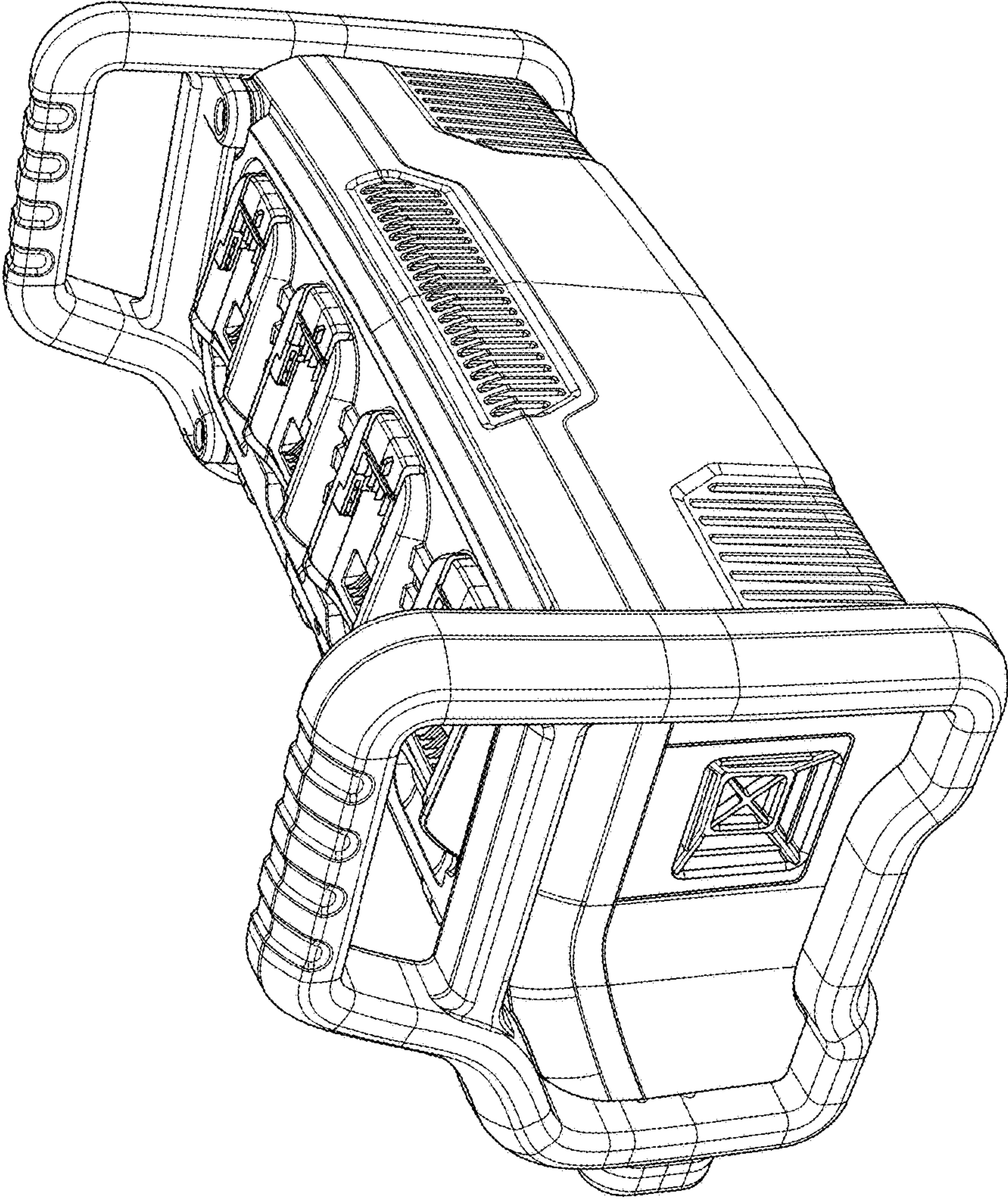


FIG. 3

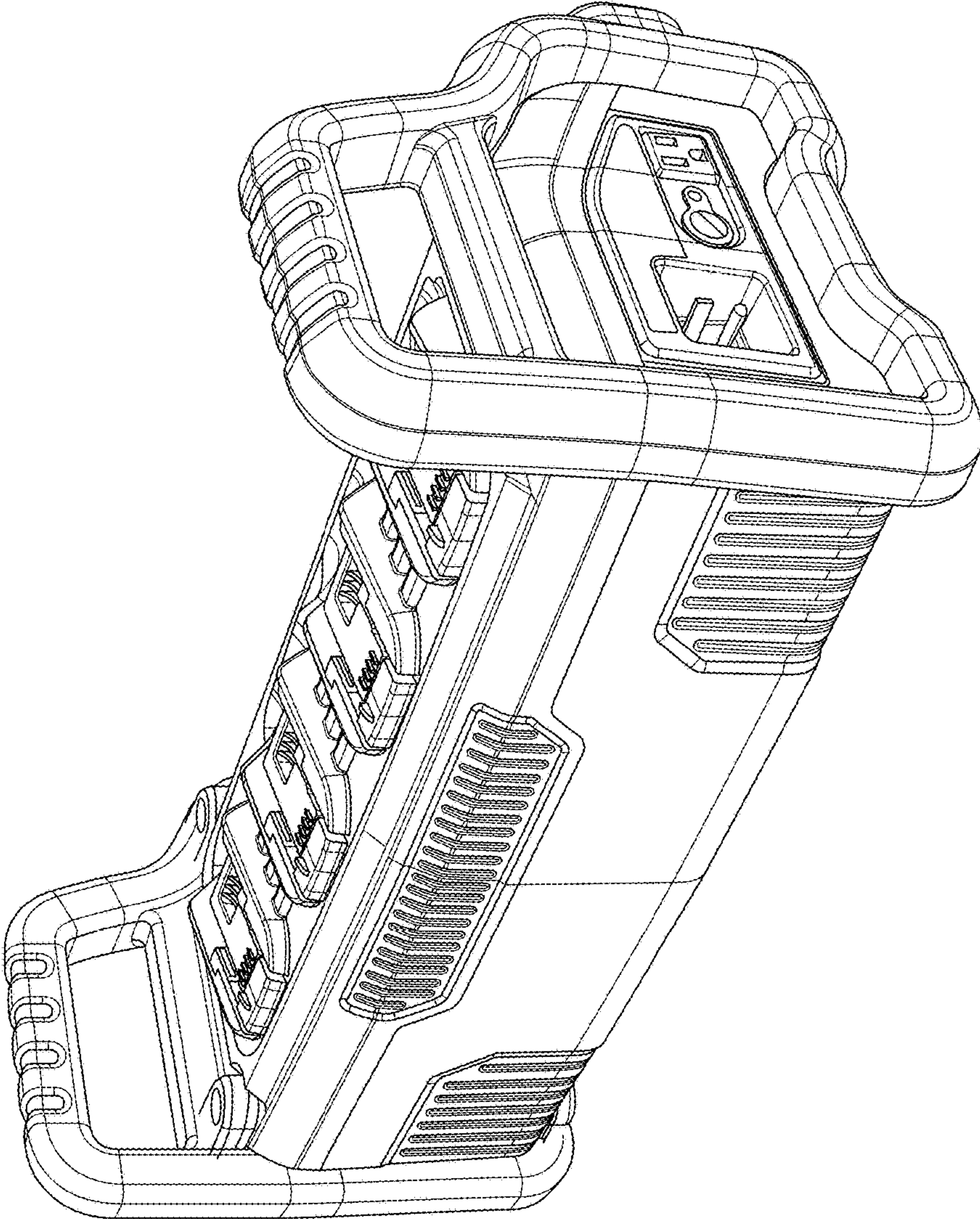


FIG. 4

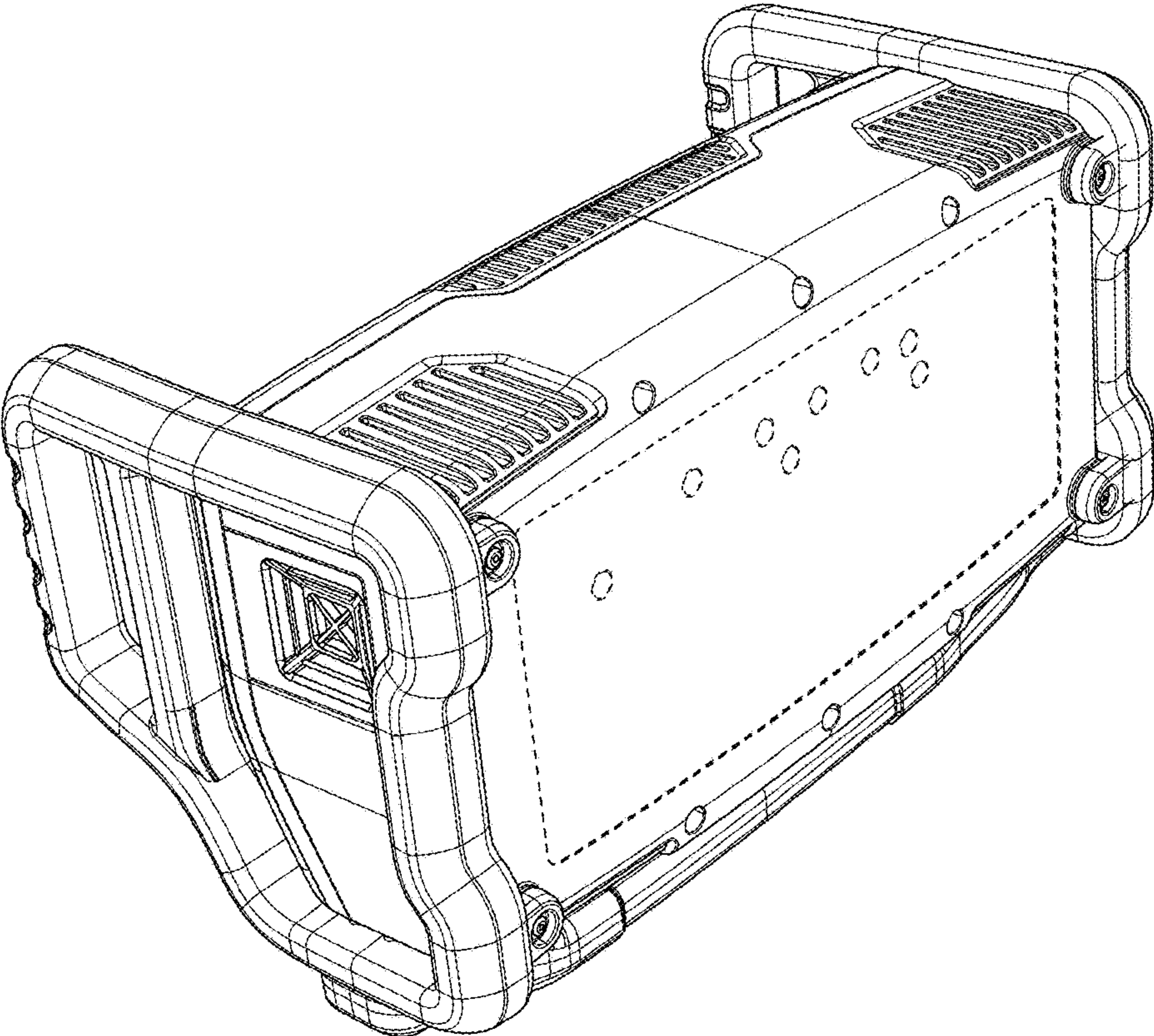


FIG. 5

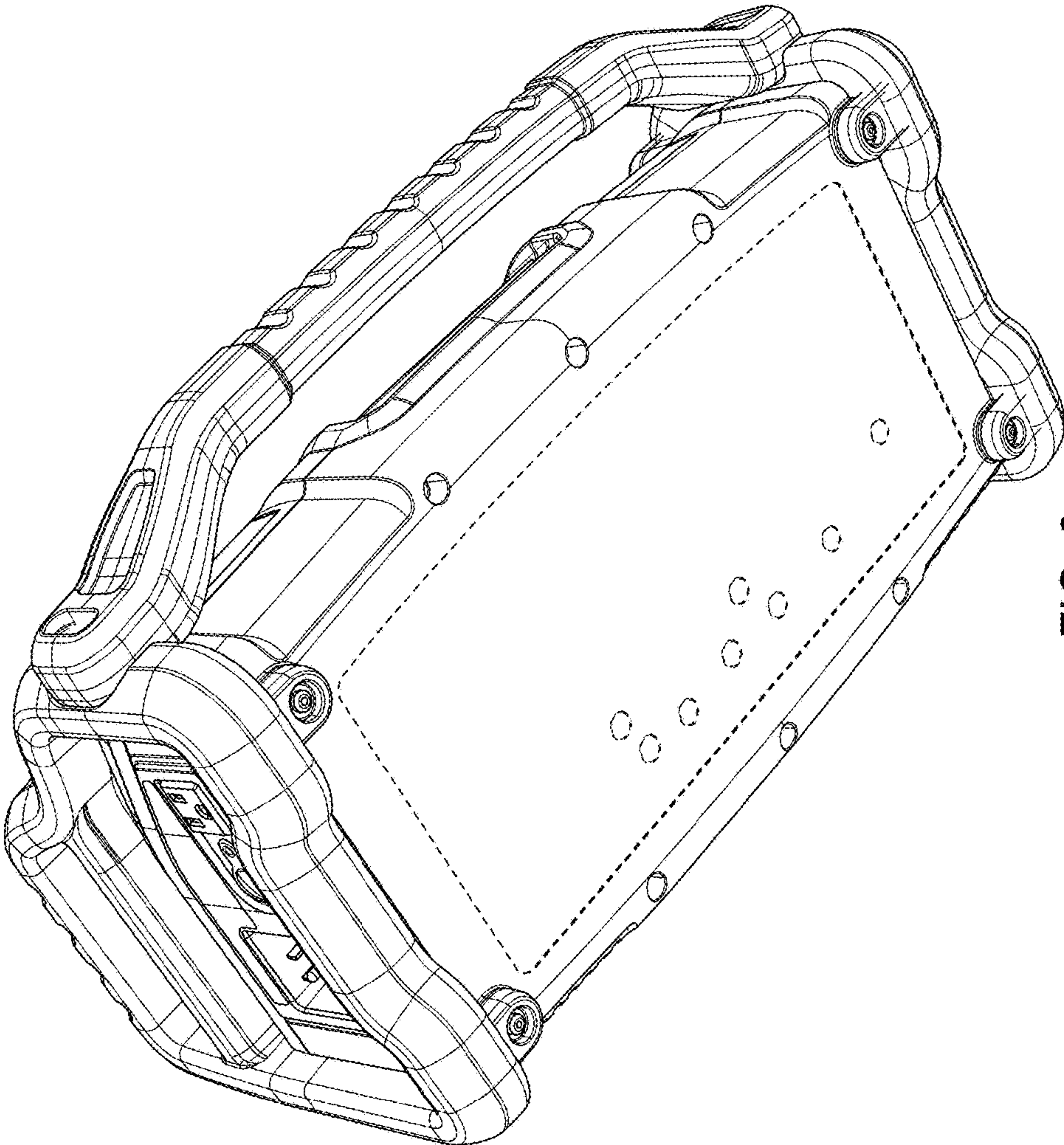


FIG. 6

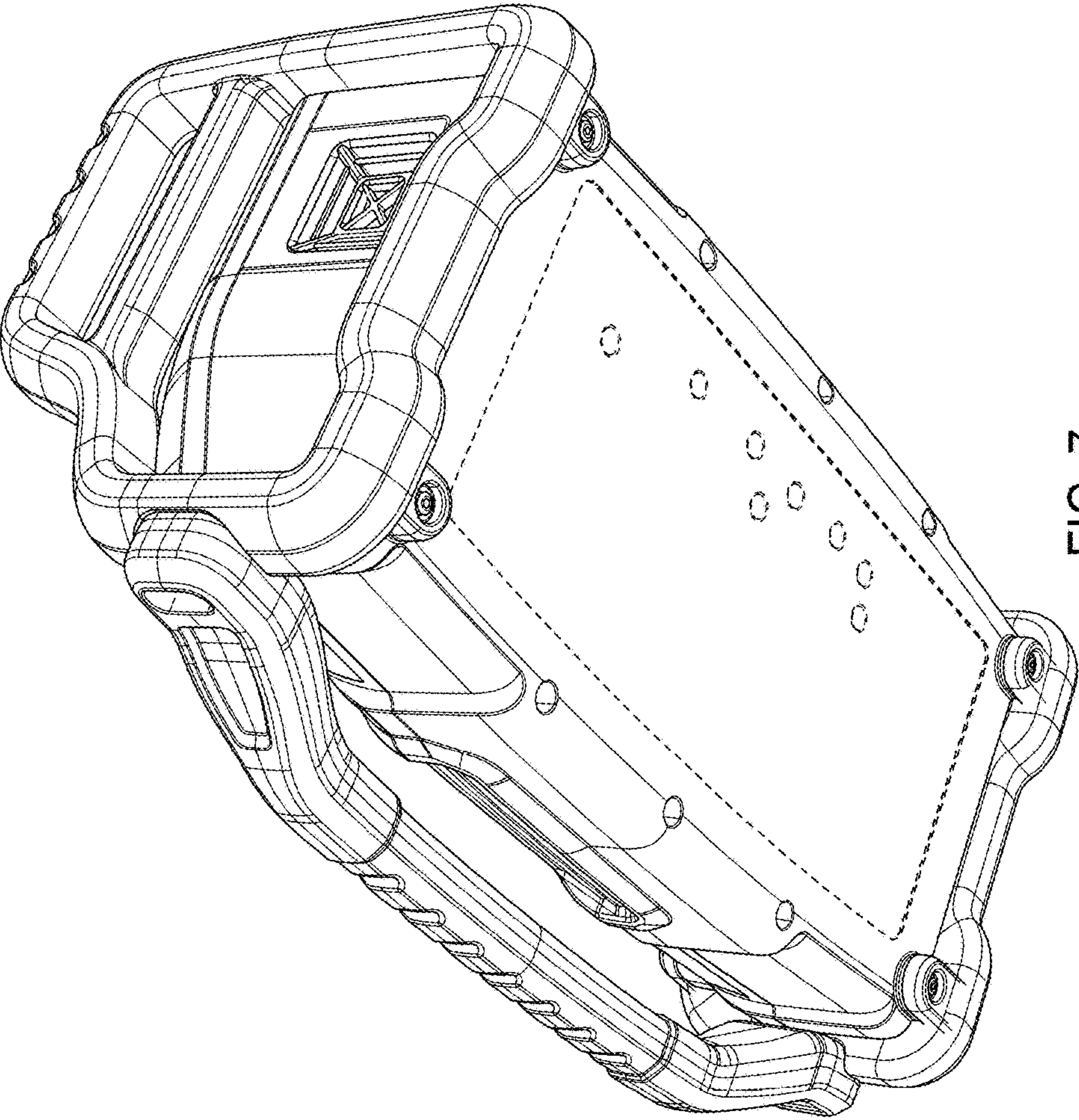


FIG. 7

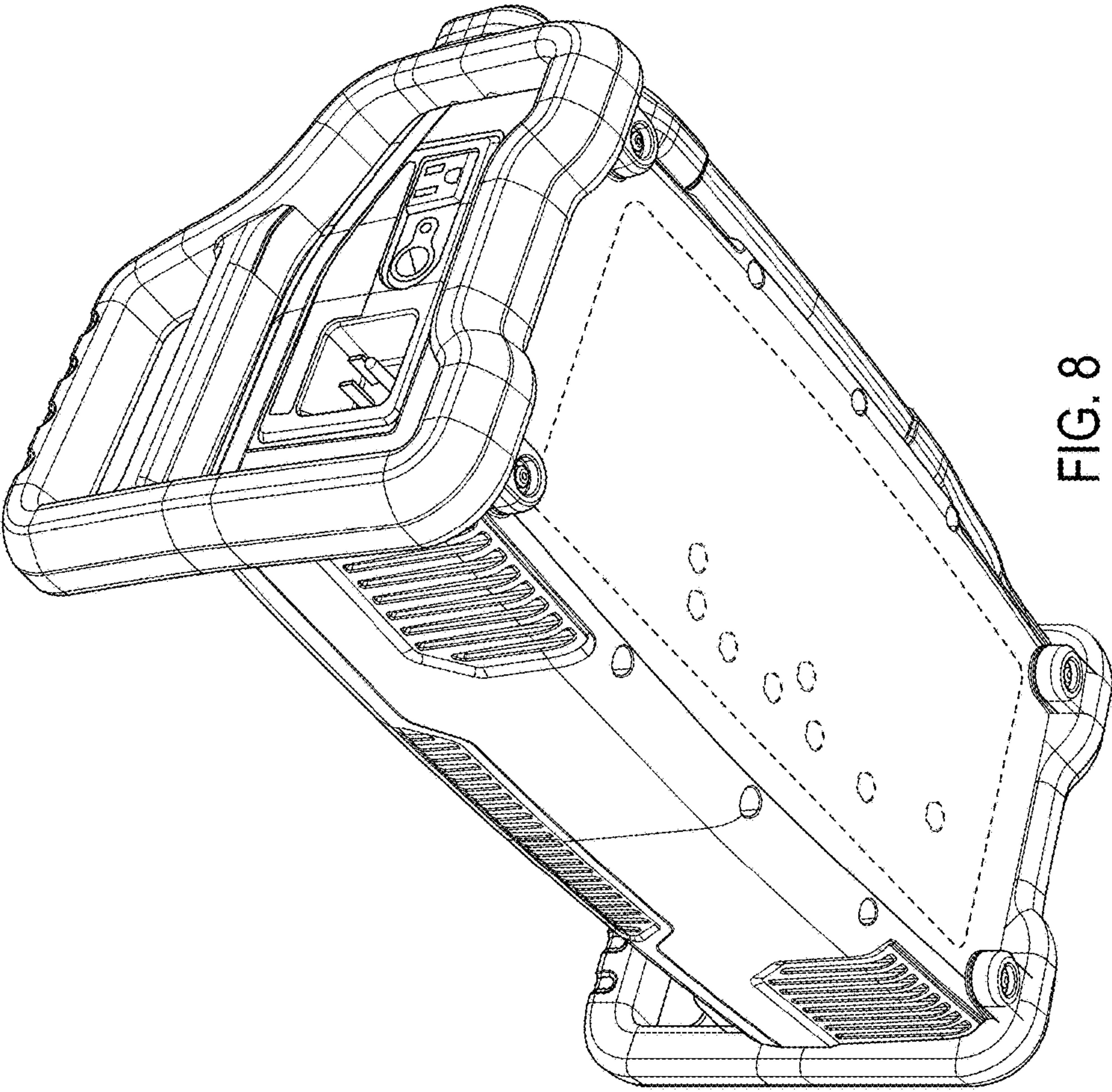


FIG. 8

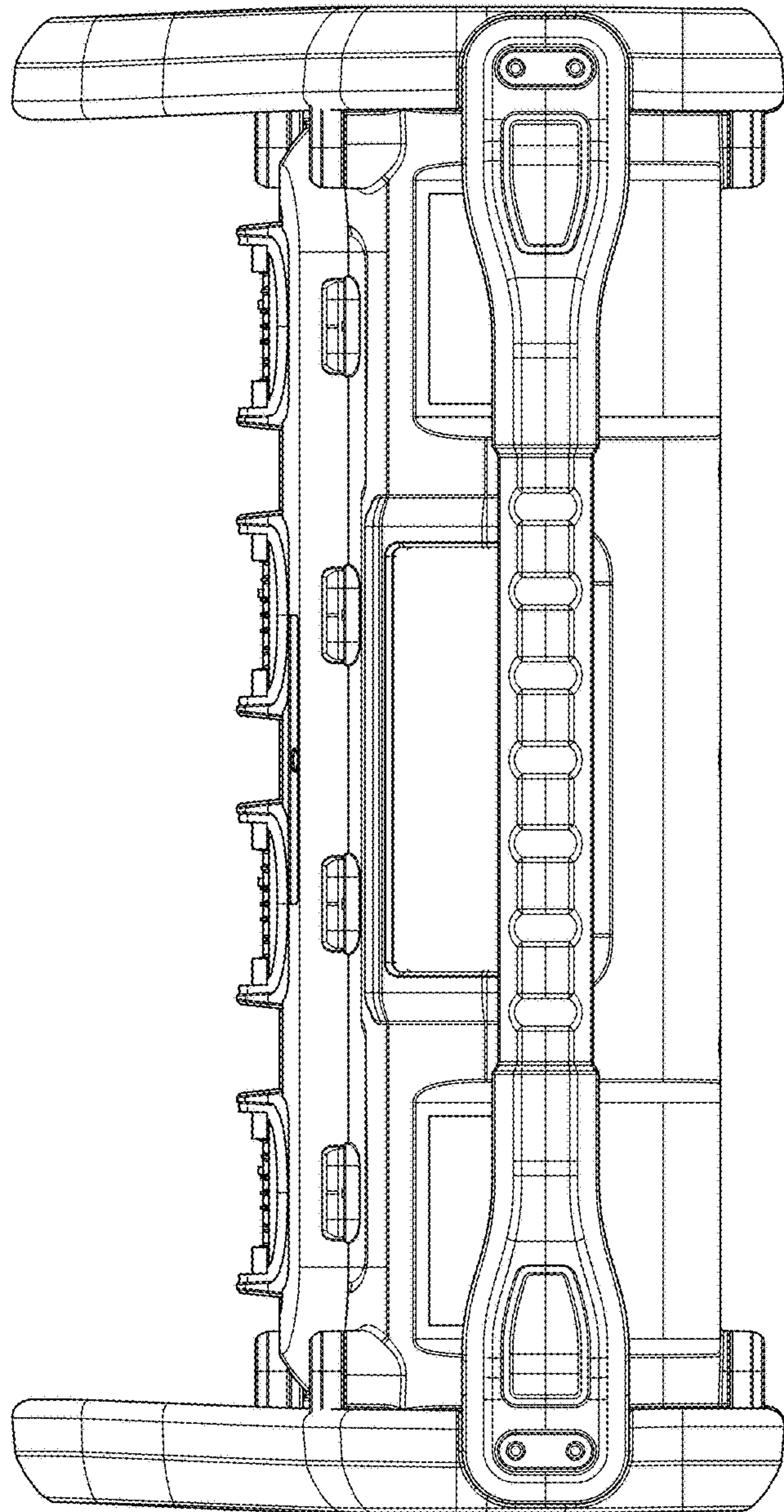


FIG. 9

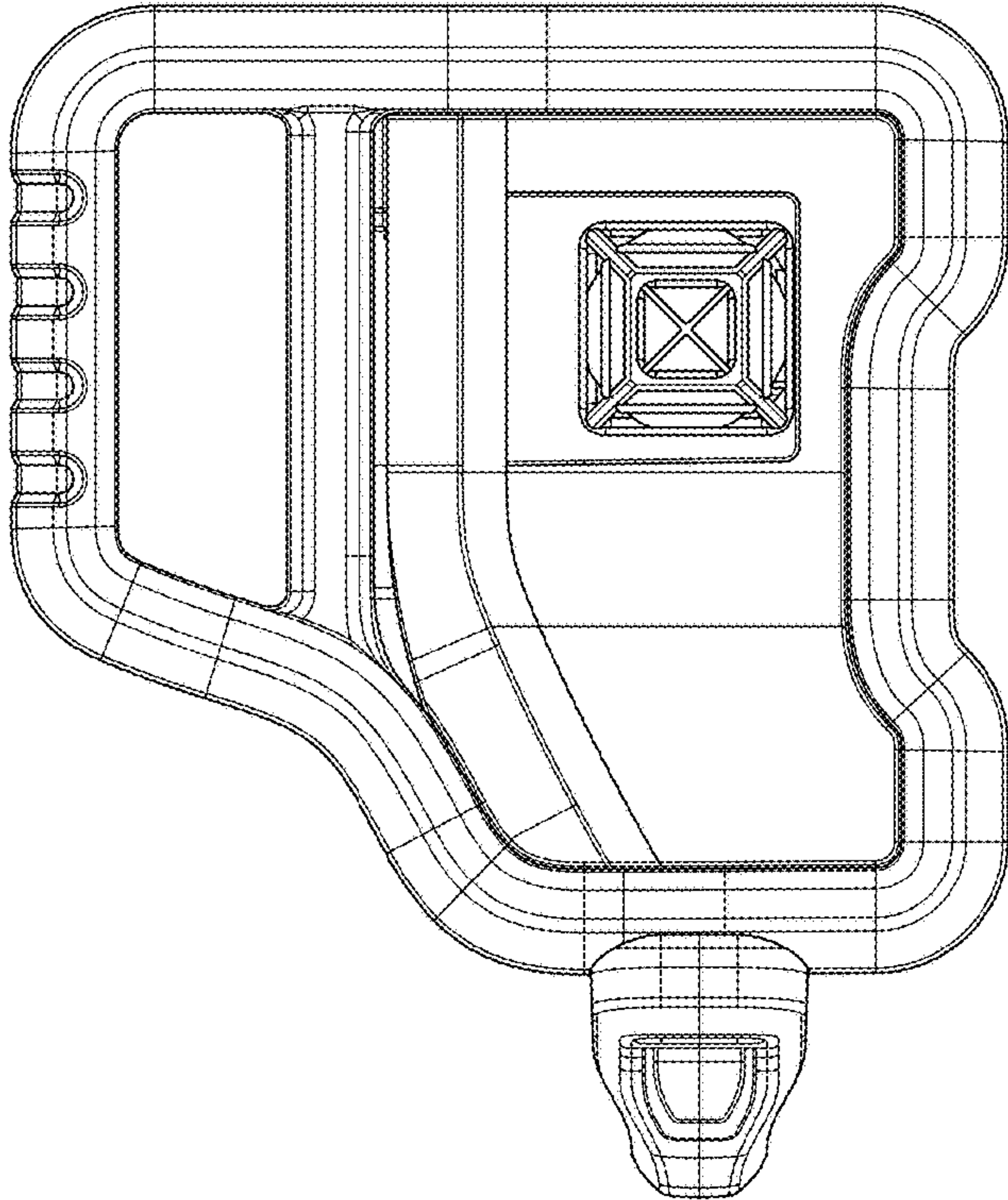


FIG. 10

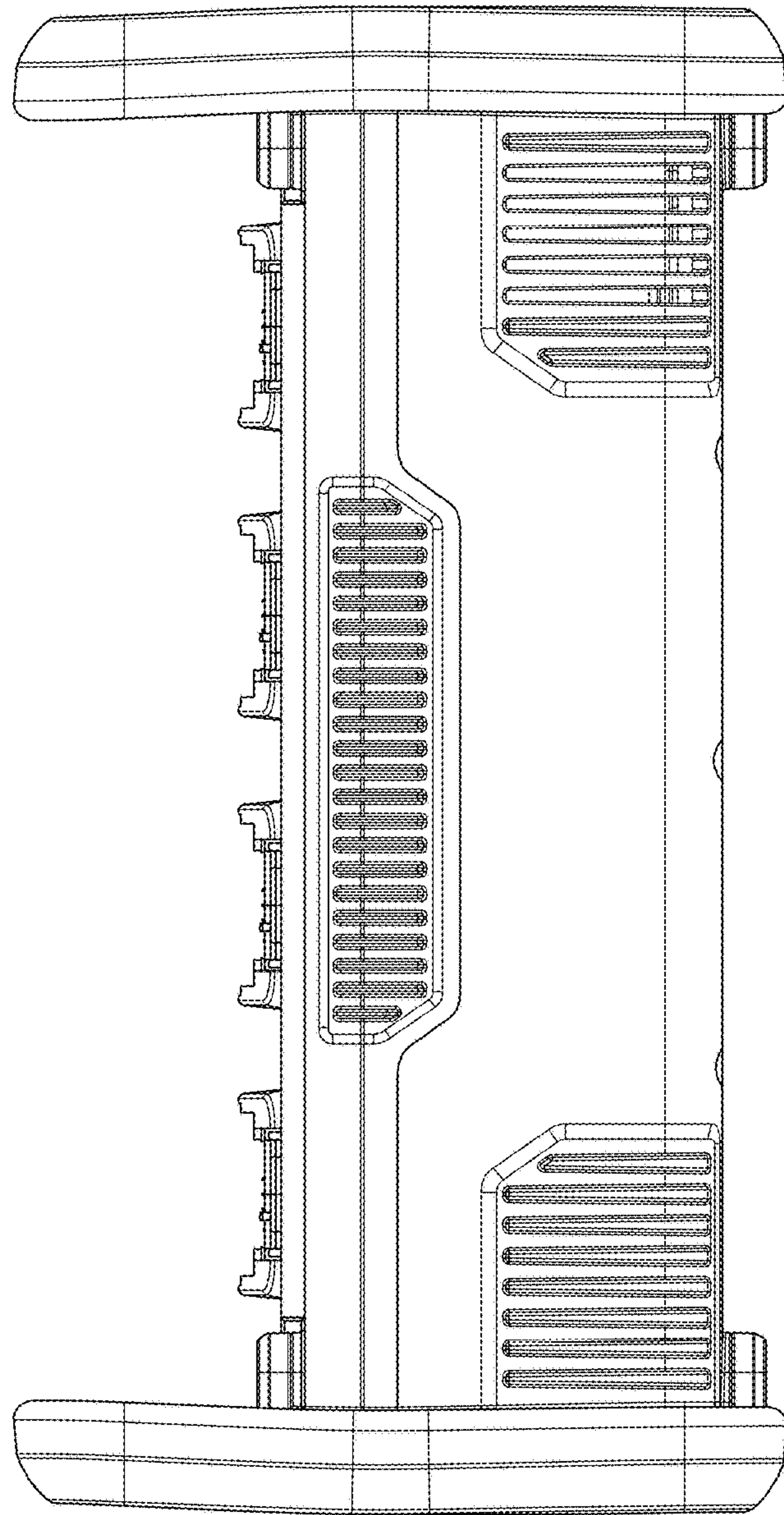


FIG. 11

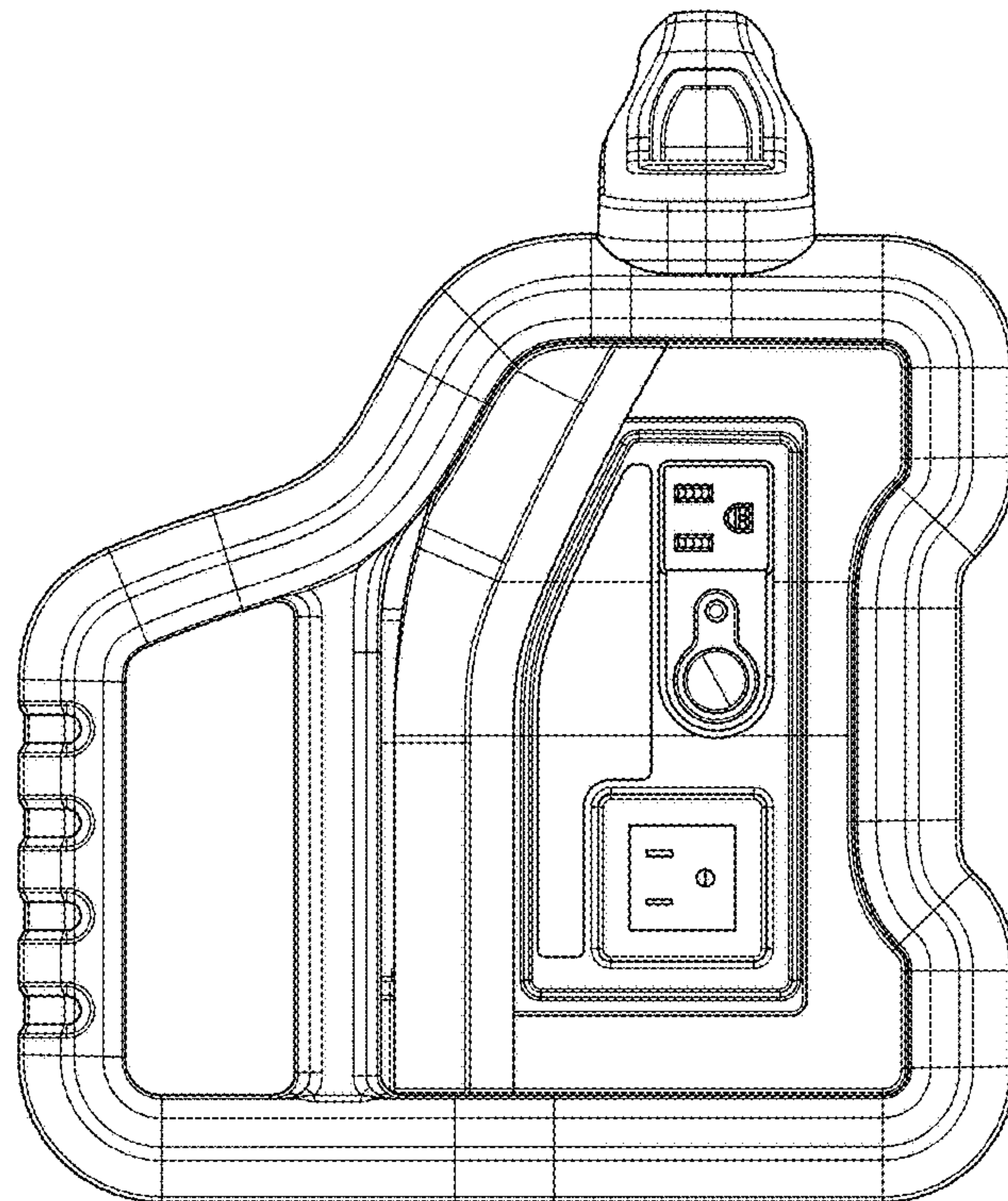


FIG. 12

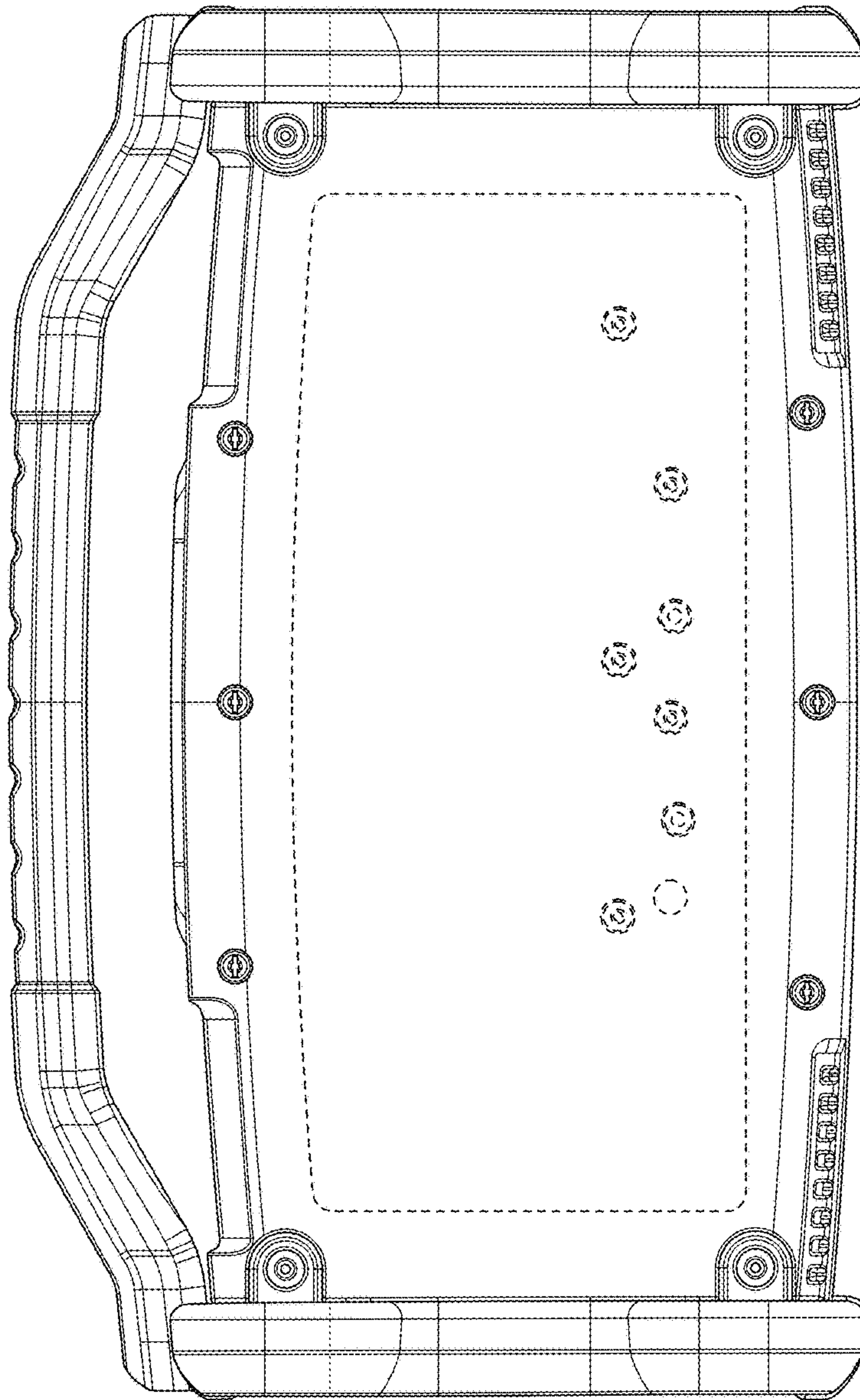


FIG. 13

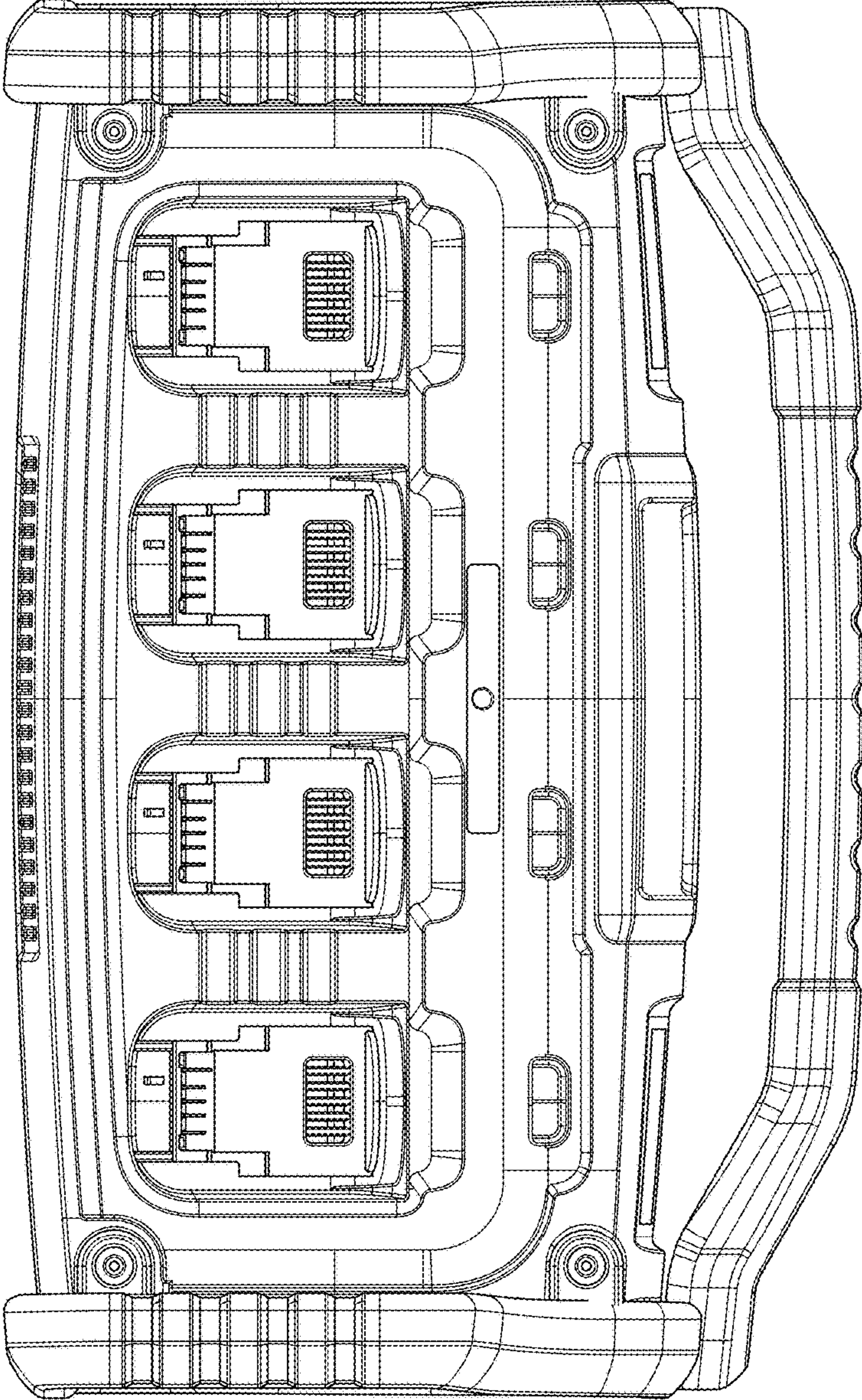


FIG. 14