



US00D840333S

(12) **United States Design Patent**
Cooper et al.

(10) **Patent No.:** **US D840,333 S**

(45) **Date of Patent:** **** Feb. 12, 2019**

(54) **BATTERY PACK**

(71) Applicant: **Black & Decker Inc.**, New Britain, CT (US)

(72) Inventors: **Joseph B. Cooper**, Baltimore, MD (US); **Michael J. Walstrum**, Abingdon, MD (US)

(73) Assignee: **Black & Decker Inc.**, New Britain, CT (US)

(**) Term: **15 Years**

(21) Appl. No.: **29/610,960**

(22) Filed: **Jul. 18, 2017**

(51) **LOC (11) Cl.** **13-02**

(52) **U.S. Cl.**
USPC **D13/103**

(58) **Field of Classification Search**
USPC D13/102–110, 118, 119, 184, 199;
D14/356, 432
CPC Y02E 60/10; Y02E 60/12; Y02E 60/122;
Y02E 60/124; Y02E 60/50; H01M
2/1061; H01M 2/1022; H01M 2/1055;
H01M 2/1066; H01M 2/105; H01M 2/20;
H01M

(Continued)

(56) **References Cited**

U.S. PATENT DOCUMENTS

D475,679 S * 6/2003 Cooper D13/103
D588,535 S * 3/2009 Krieger D13/103

(Continued)

OTHER PUBLICATIONS

Amazon.com: Black+Decker BCB001 K GoPak Cordless Battery + USB Charging Cable. Published Sep. 18, 2017. Retrieved from the internet at <<https://www.amazon.com/BLACK-DECKER-BCB001K-Cordless-Charging/dp/B075BFHZQY/>>, May 10, 2018. 3 pages. (Year: 2017).*

Primary Examiner — Rosemary K Tarcza

Assistant Examiner — Christy M Nemeth

(74) *Attorney, Agent, or Firm* — Michael Aronoff; Scott Markow

(57) **CLAIM**

The ornamental design for a battery pack, as shown and described.

DESCRIPTION

FIG. 1 is a front elevation view of a battery pack of the present invention.

FIG. 2 is a rear elevation view of the battery pack of FIG. 1.

FIG. 3 is a right side elevation view of the battery pack of FIG. 1.

FIG. 4 is a left side elevation view of the battery pack of FIG. 1.

FIG. 5 is a top plan view of the battery pack of FIG. 1.

FIG. 6 is a bottom plan view of the battery pack of FIG. 1.

FIG. 7 is a top, front, right perspective view of the battery pack of FIG. 1.

FIG. 8 is a top, front, left perspective view of the battery pack of FIG. 1.

FIG. 9 is a top, rear, right perspective view of the battery pack of FIG. 1.

FIG. 10 is a top, rear, left perspective view of the battery pack of FIG. 1.

FIG. 11 is a bottom, front, right perspective view of the battery pack of FIG. 1.

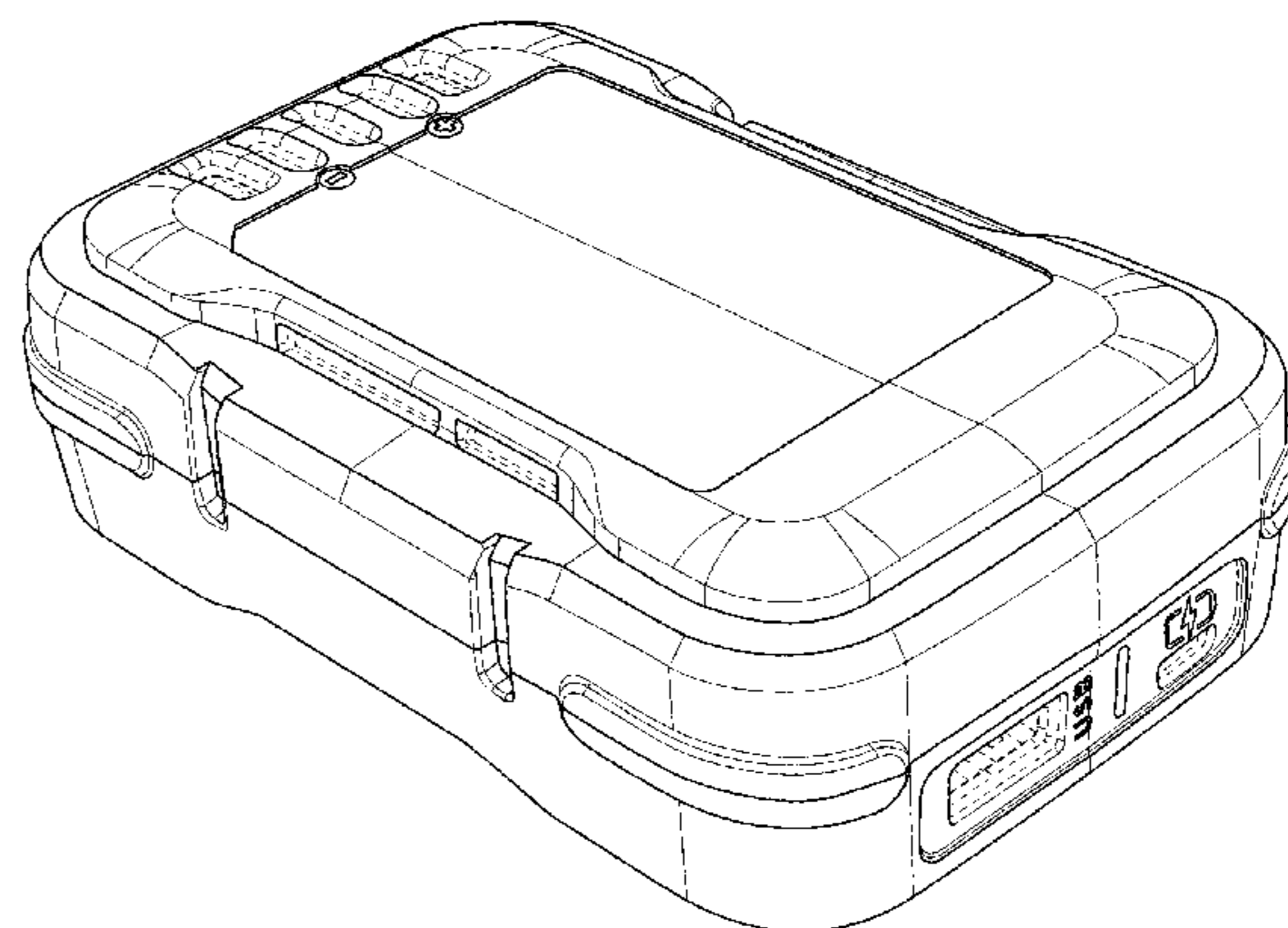
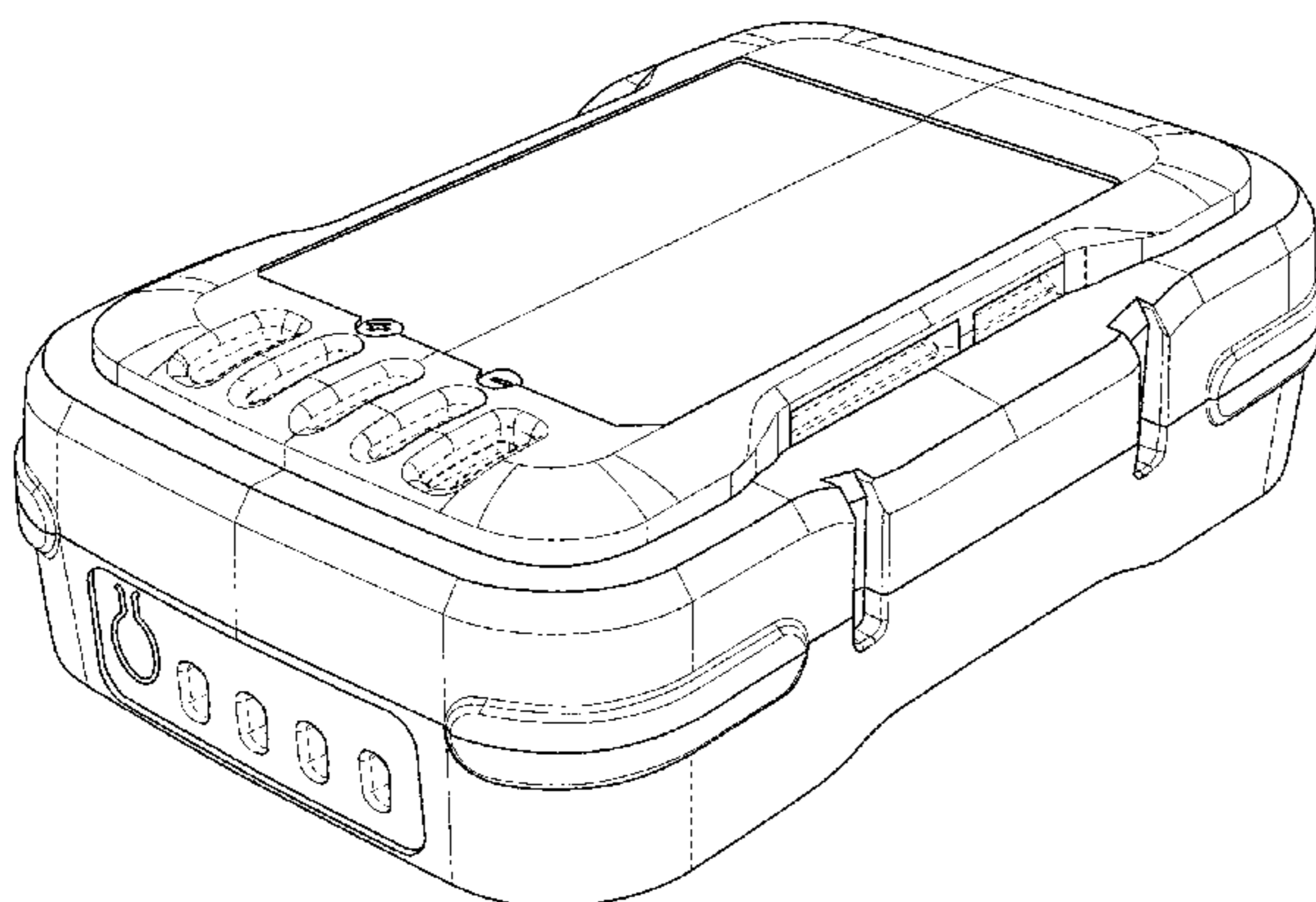
FIG. 12 is a bottom, front, left perspective view of the battery pack of FIG. 1.

FIG. 13 is a bottom, rear, left perspective view of the battery pack of FIG. 1; and,

FIG. 14 is a bottom, rear, right perspective view of the battery pack of FIG. 1.

The broken lines present in the drawings are included for the purpose of illustrating portions of the battery pack that form no part of the claimed design.

1 Claim, 14 Drawing Sheets



(58) **Field of Classification Search**

CPC 2/202; H01M 2/204; H01M 2/206; H01M
2/02; H01M 2/022; H01M 2/0202; H01M
2/0207; H01M 2/0212; H01M 10/44;
H01M 10/46; H01M 10/465; H01M
10/482; H01M 10/4257; H01M 10/0436;
H01M 10/48; H01M 2250/30; H01M
2250/40; H02J 7/00; H02J 7/0003; H02J
7/0011; H02J 7/0013; H02J 7/0054; H02J
7/0055; H02J 7/0057; H02J 2007/0062

See application file for complete search history.

(56) **References Cited**

U.S. PATENT DOCUMENTS

D654,854	S *	2/2012	Inskeep	D13/107
D681,550	S *	5/2013	Corbin	D13/103
D812,555	S *	3/2018	Schoch	D13/103
2007/0072042	A1 *	3/2007	Lam	H01M 8/04201 429/443
2013/0089764	A1 *	4/2013	Melnyk	H01M 2/1022 429/72
2016/0013673	A1 *	1/2016	Workman	H01R 13/5202 320/114

* cited by examiner

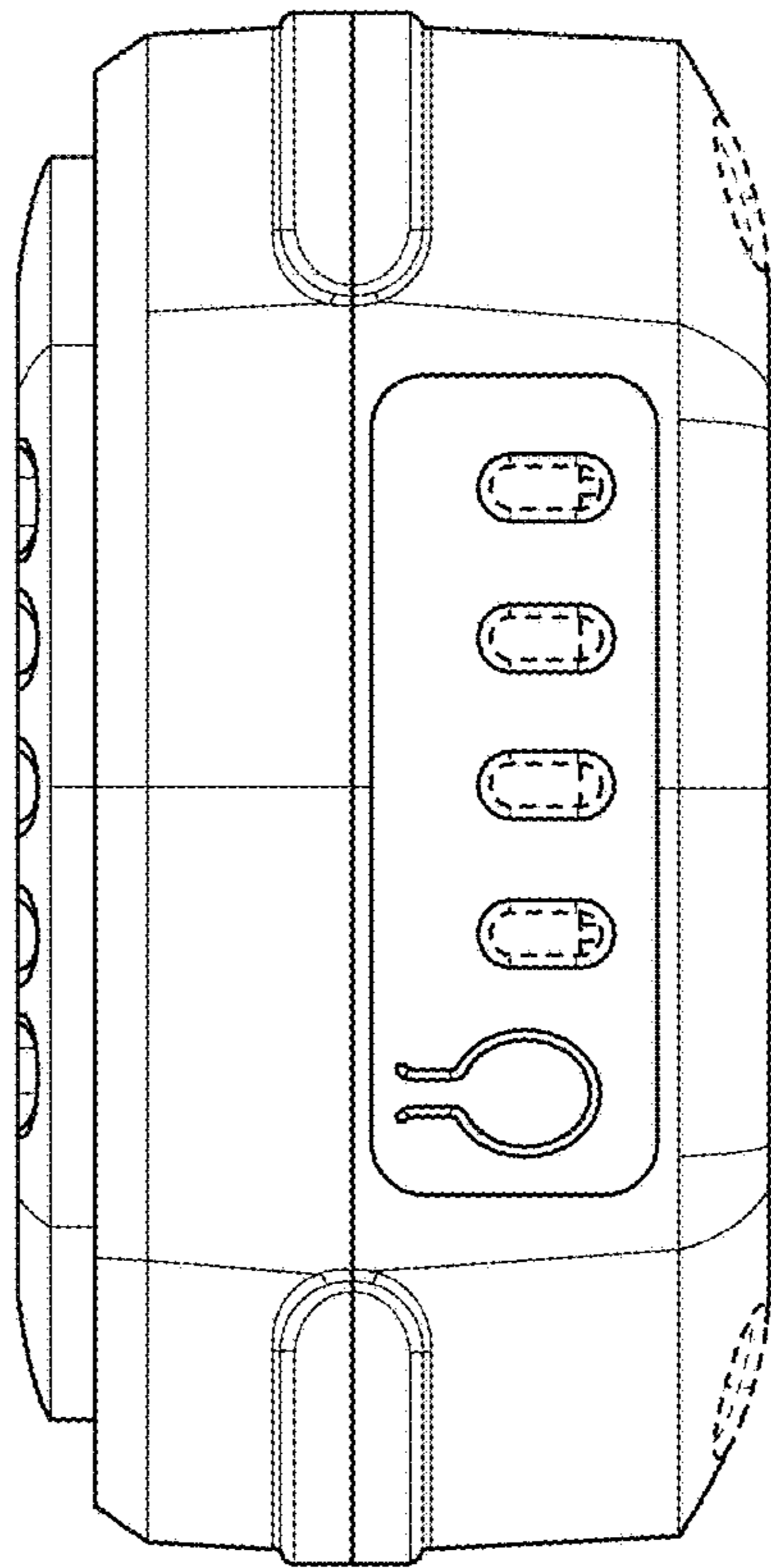


FIG. 1

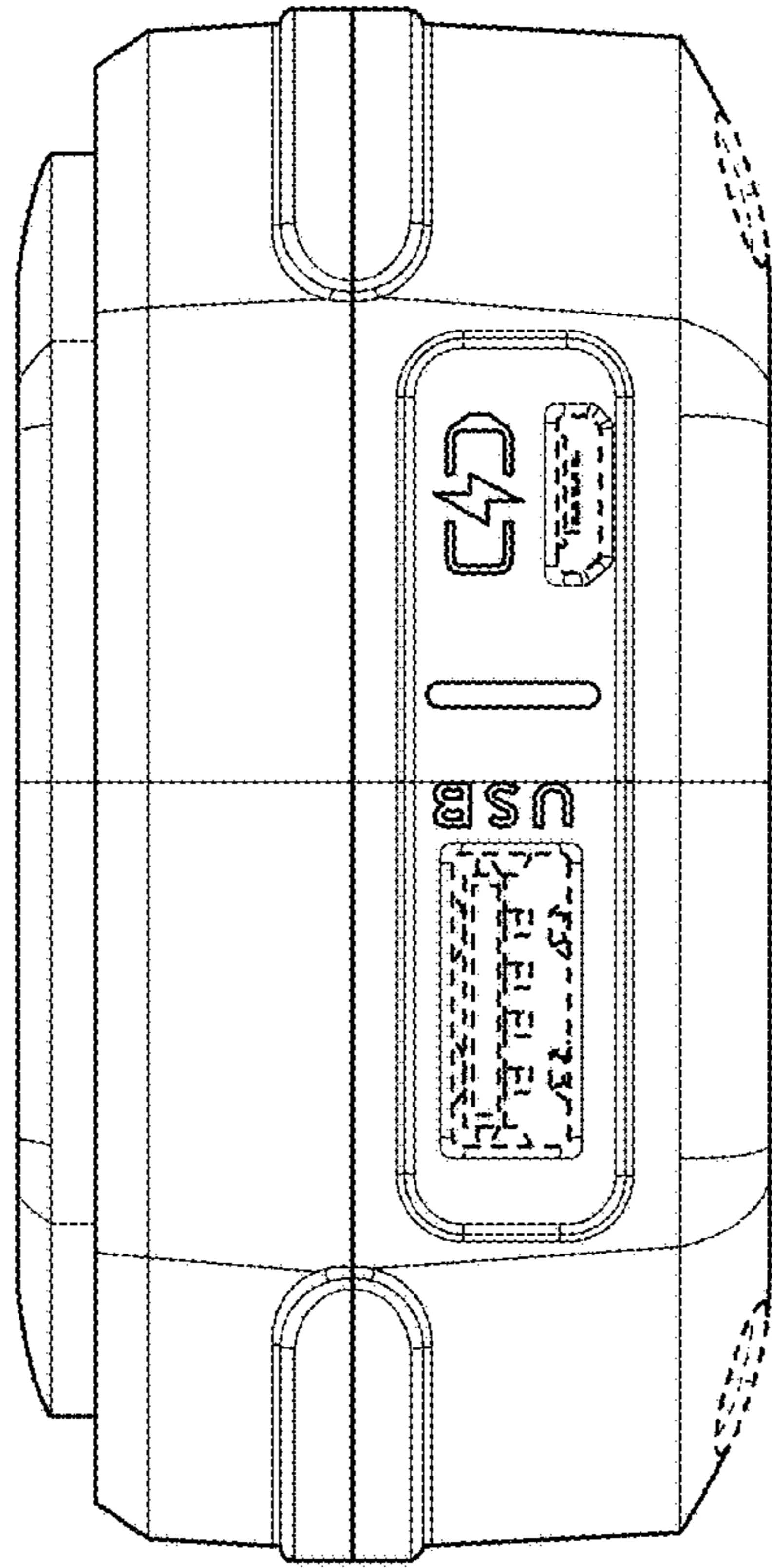


FIG. 2

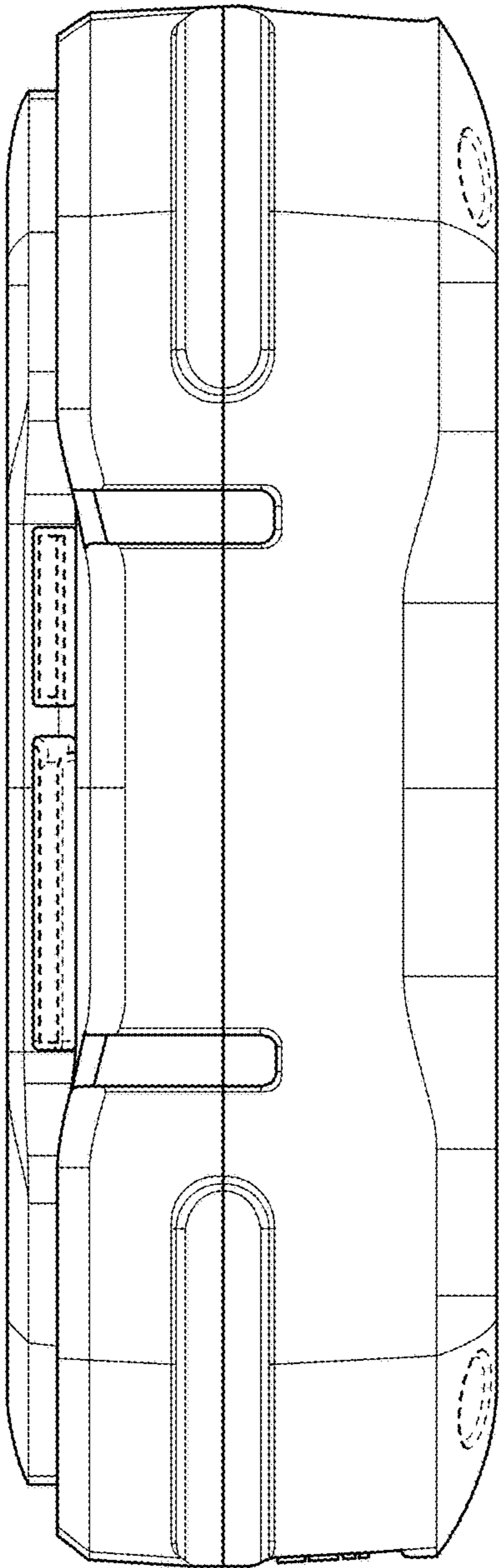


FIG. 3

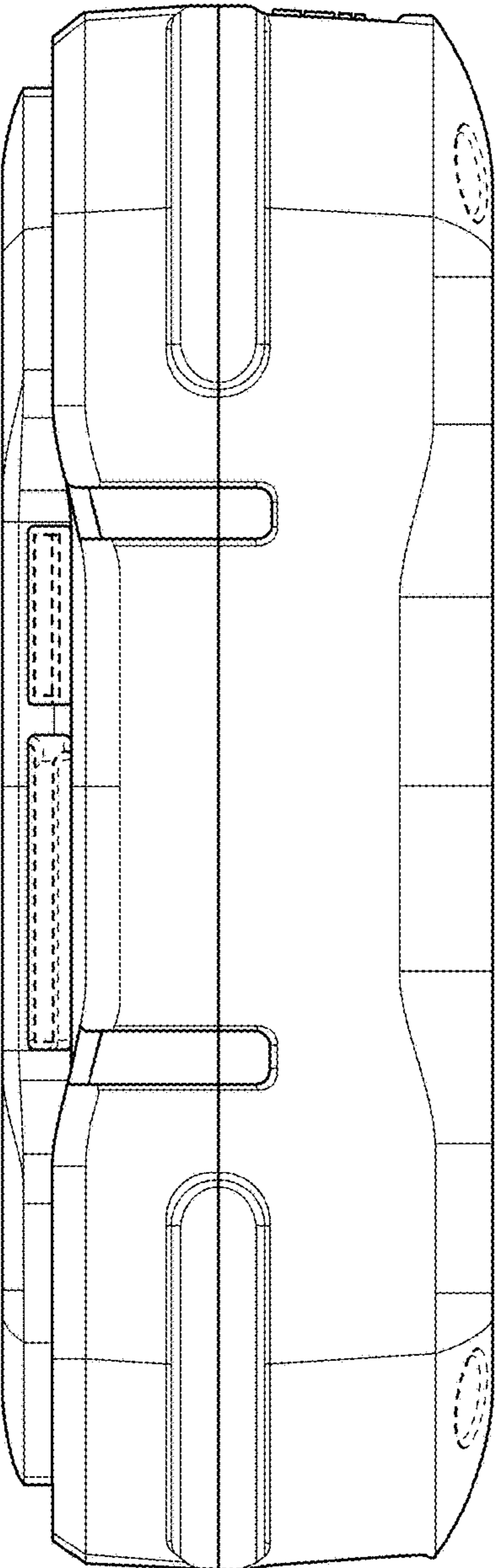


FIG. 4

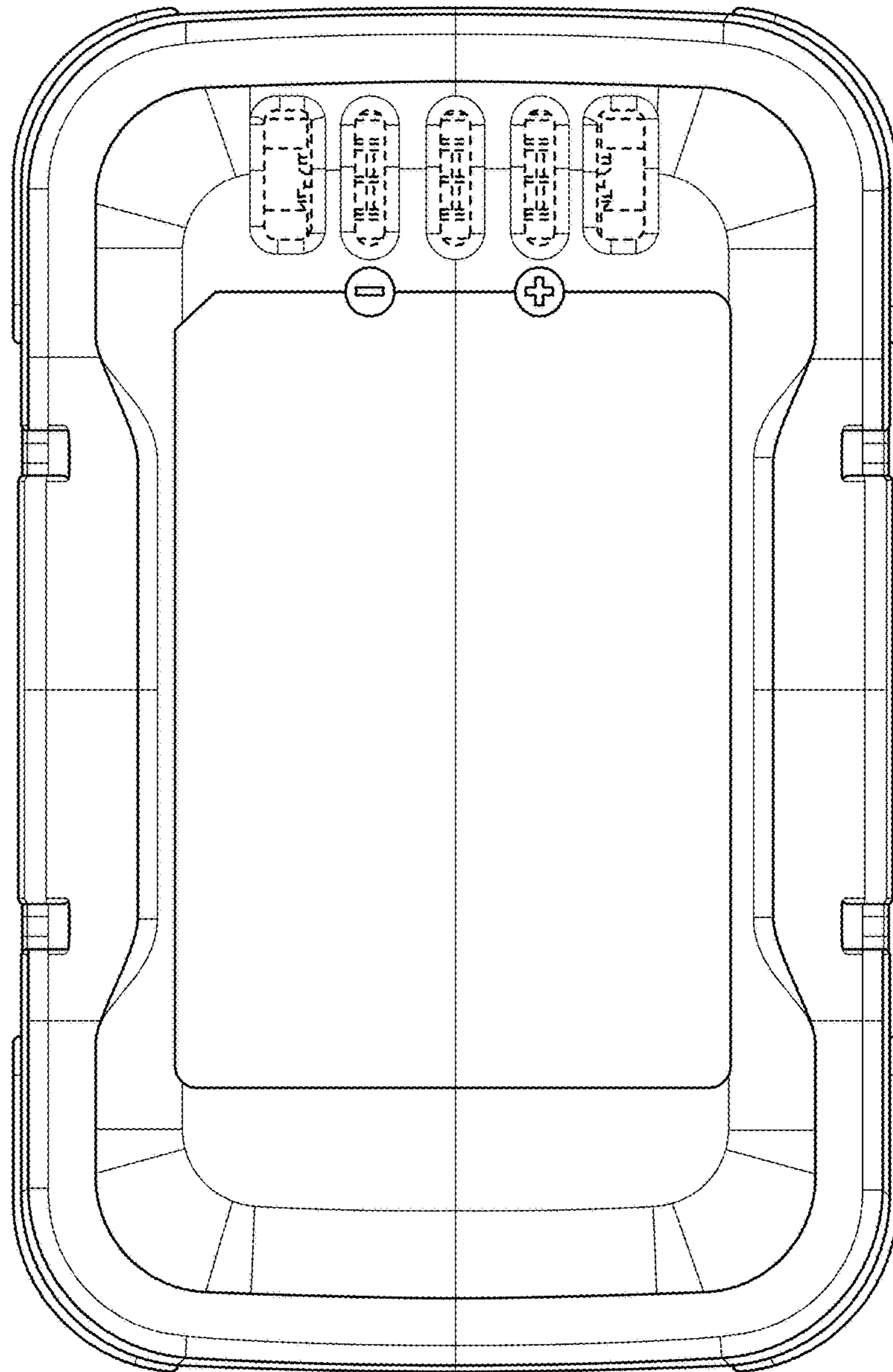


FIG. 5

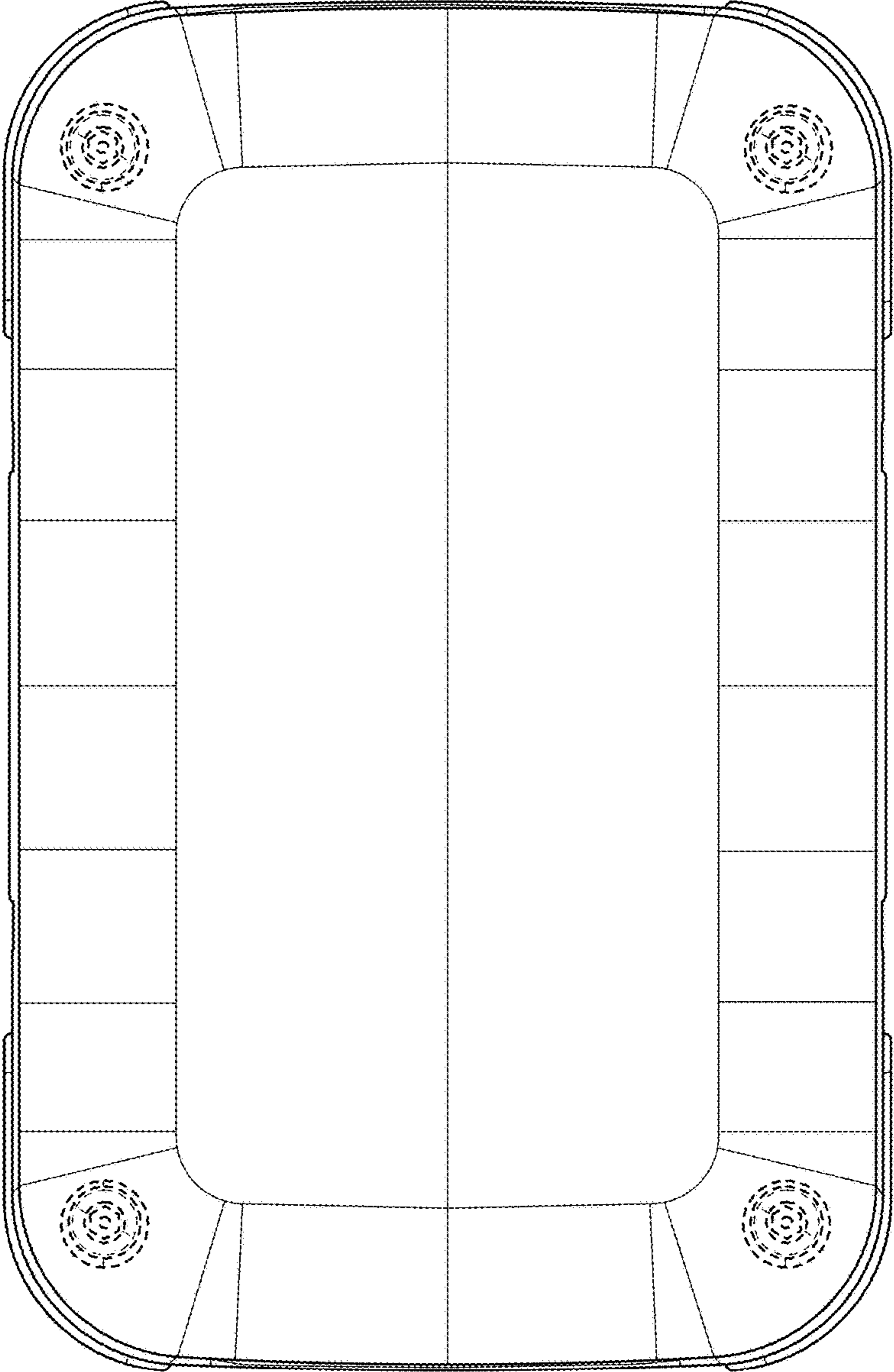


FIG. 6

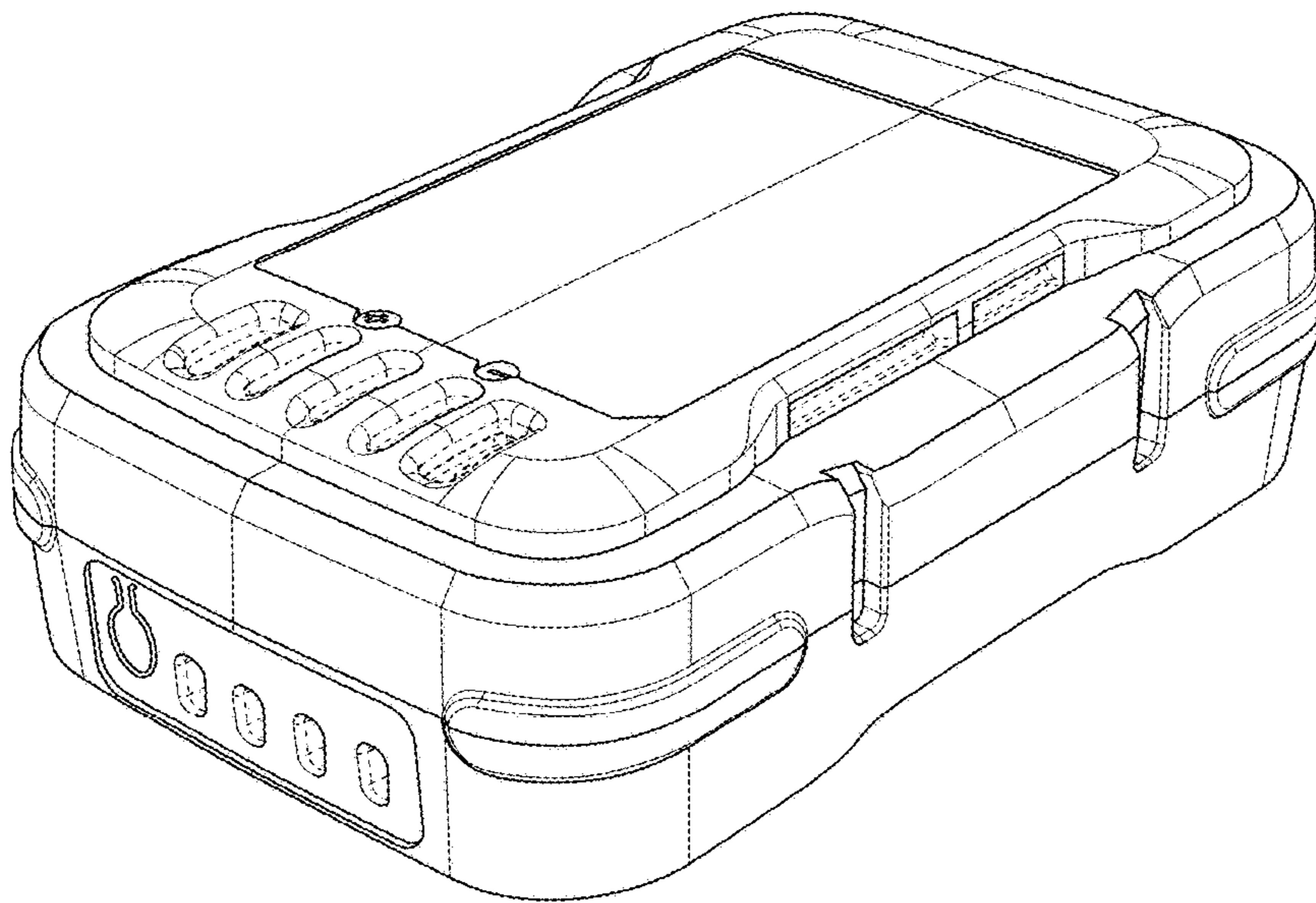


FIG. 7

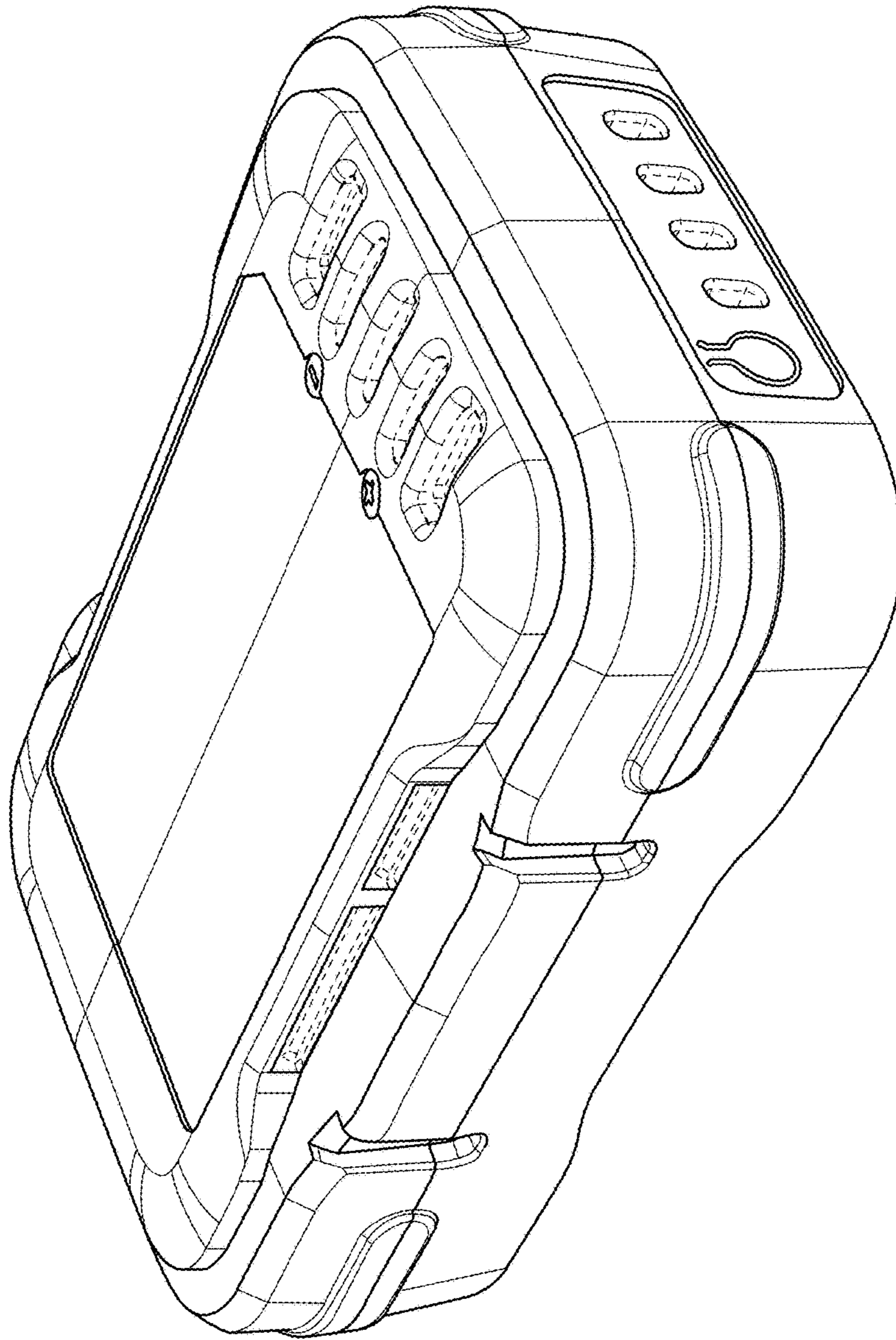


FIG. 8

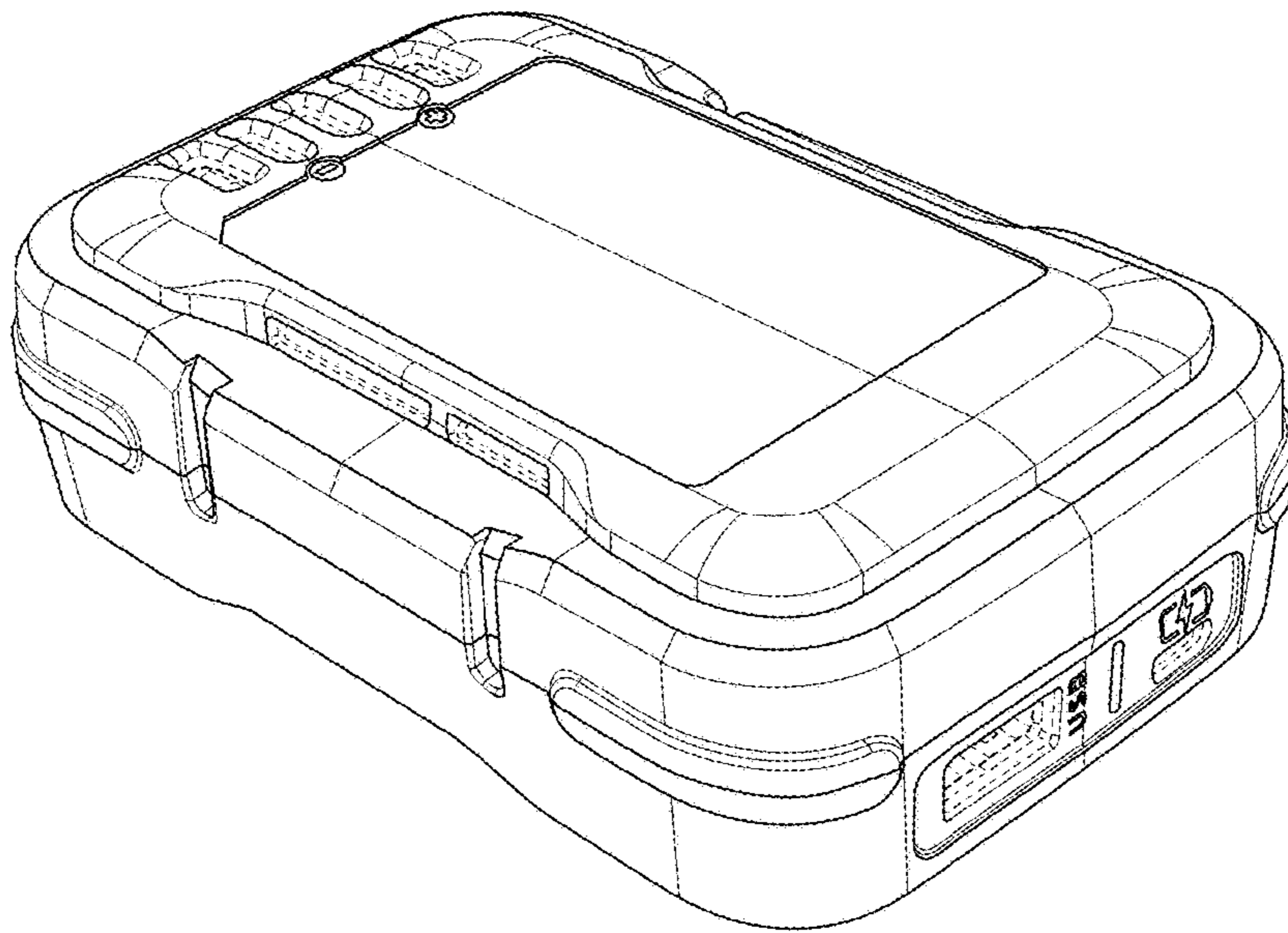


FIG. 9

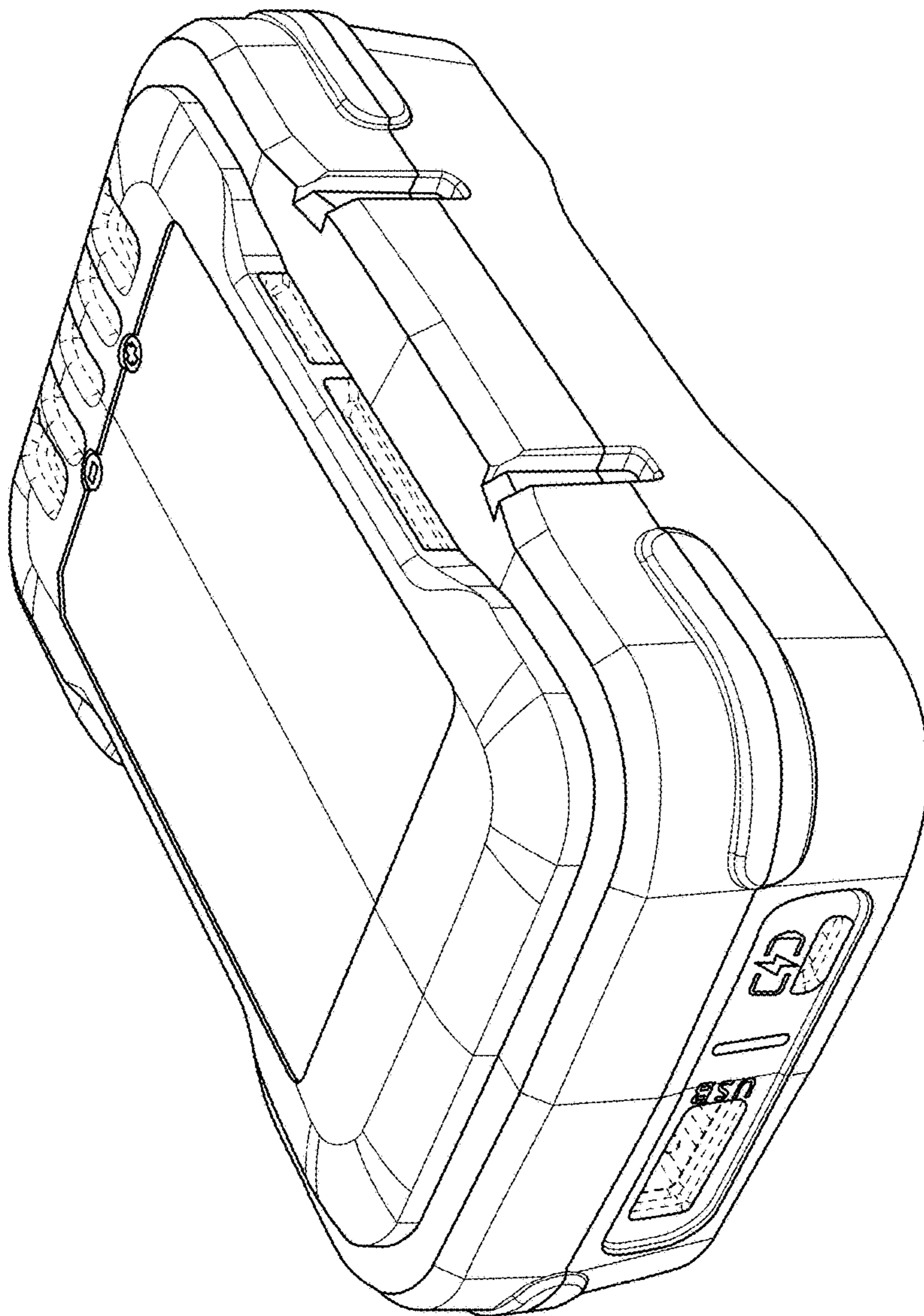


FIG. 10

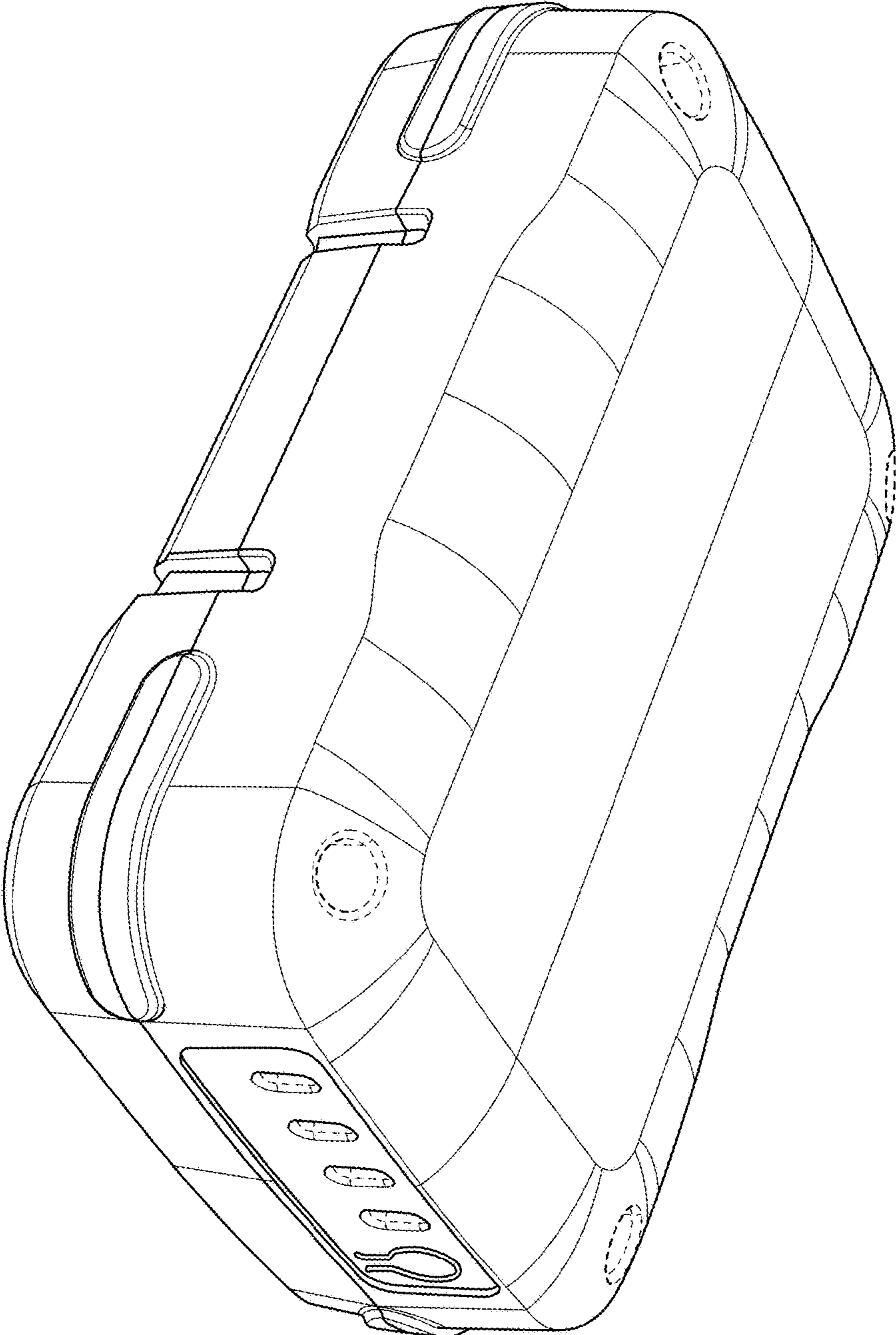


FIG. 11

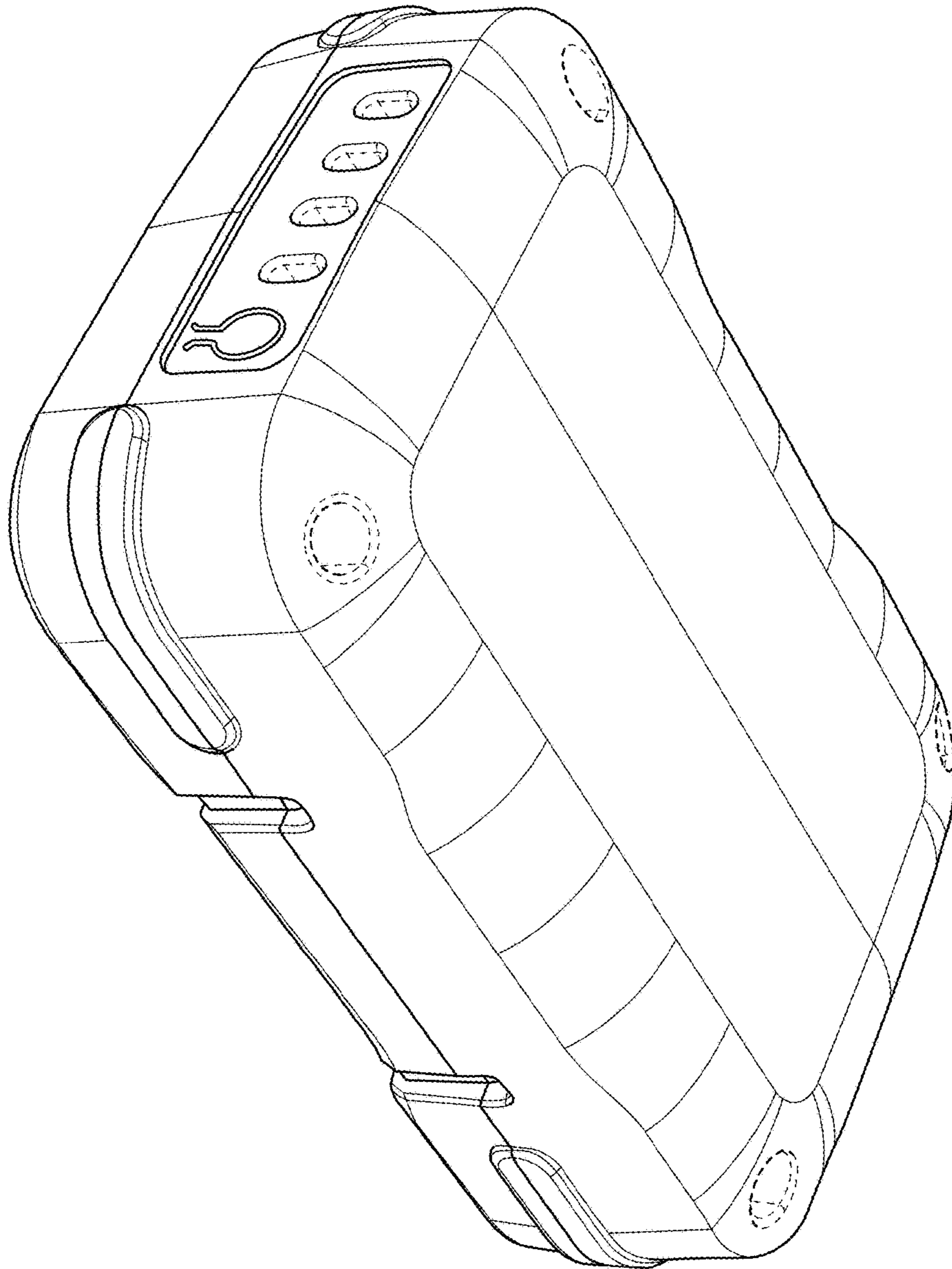


FIG. 12

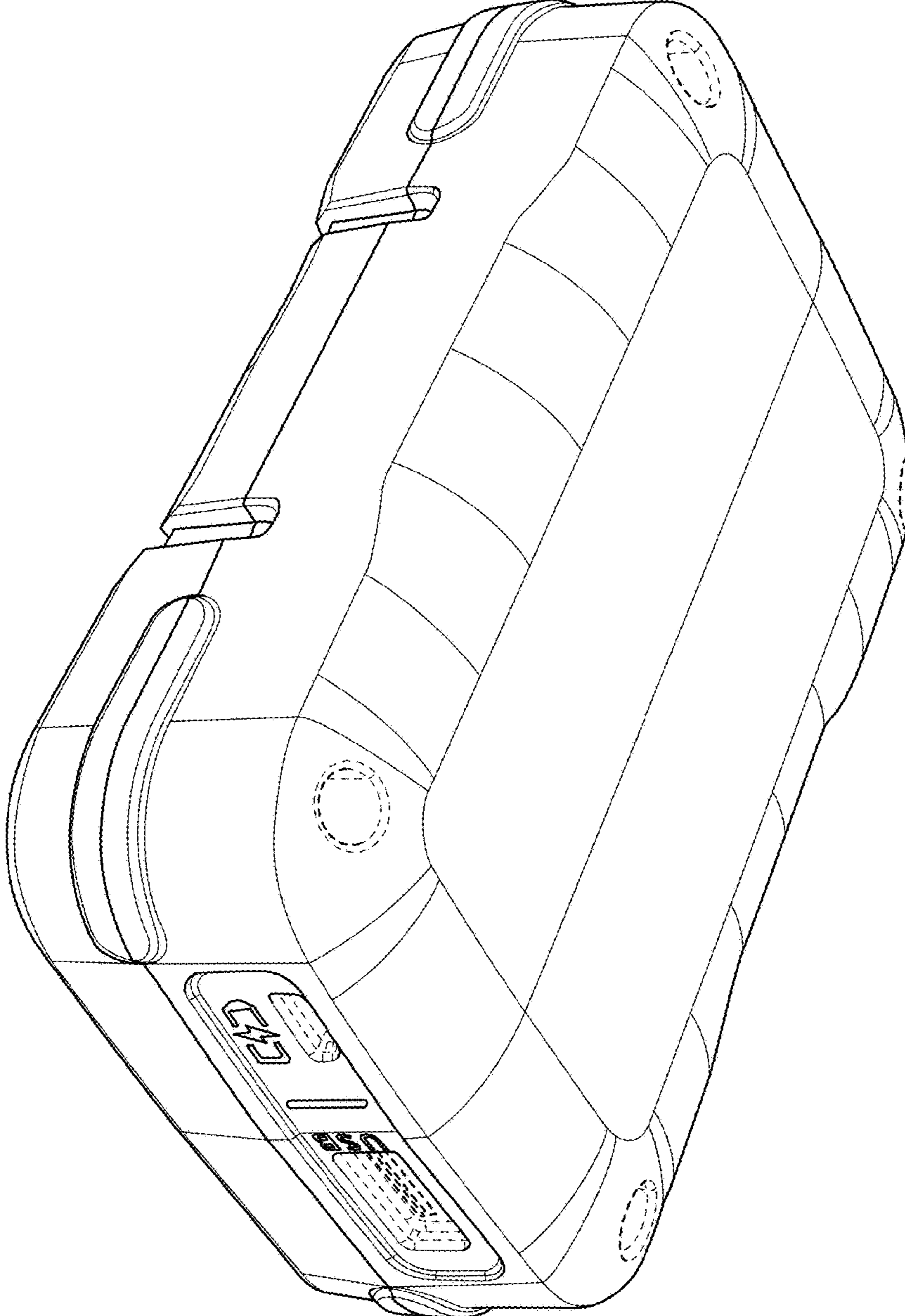


FIG. 13

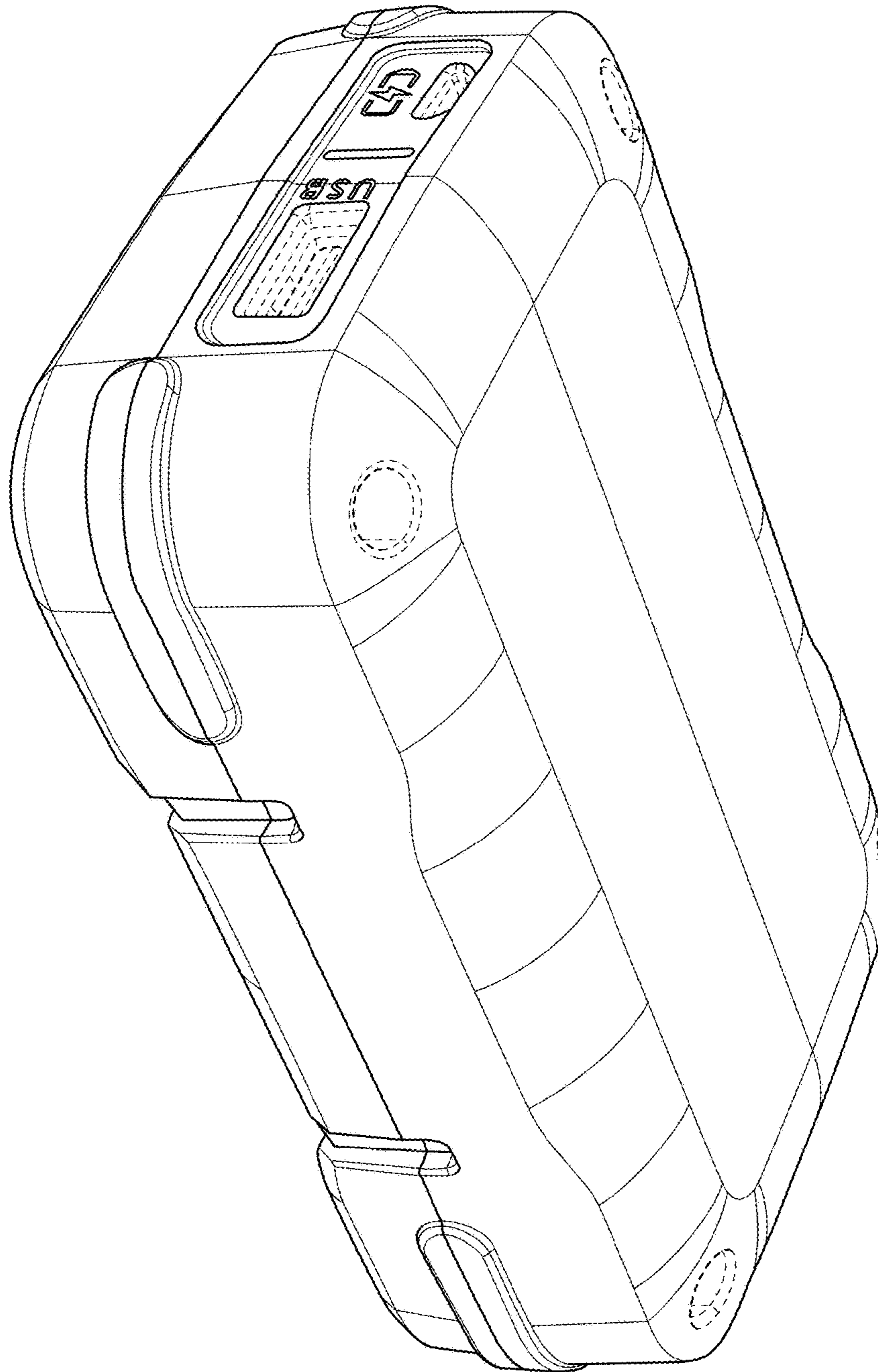


FIG. 14