

US00D840332S

(12) **United States Design Patent** (10) **Patent No.:** **US D840,332 S**  
**Wu** (45) **Date of Patent:** **\*\* Feb. 12, 2019**

(54) **POWER BANK**

(71) Applicant: **SHENZHEN JINGYUECHENG TECHNOLOGY CO., LTD**, Shenzhen (CN)

(72) Inventor: **Kebin Wu**, Shenzhen (CN)

(\*\*) Term: **15 Years**

(21) Appl. No.: **29/591,681**

(22) Filed: **Jan. 23, 2017**

(30) **Foreign Application Priority Data**

Jan. 9, 2017 (CN) ..... 2017 3 0007305

(51) **LOC (11) Cl.** ..... **13-02**

(52) **U.S. Cl.**  
USPC ..... **D13/103**; D13/108

(58) **Field of Classification Search**  
USPC ..... D13/102–108, 110, 118–121, 184, 199  
CPC ..... Y02E 60/12; Y02E 60/122; Y02E 60/124;  
Y02E 60/50; H01M 2/02; H01M 2/022;  
H01M 2/0202; H01M 2/0207; H01M  
2/0212; H01M 2/1061; H01M 2/1022;  
H01M 2/1055; H01M 2/1066; H01M  
2/105; H01M 2/204; H01M 10/4257;  
H01M 10/0436; H01M 10/48; H02J 7/00;  
H02J 7/0003; H02J 7/0011; H02J 7/0013;  
H02J 7/0054; H02J 7/0055; H02J 7/0057;  
H02J 2007/0062

See application file for complete search history.

(56) **References Cited**

**U.S. PATENT DOCUMENTS**

D667,788 S \* 9/2012 Mai ..... D13/110  
D682,197 S \* 5/2013 Leung ..... D13/103  
D686,153 S \* 7/2013 Qu ..... D13/103  
D697,867 S \* 1/2014 Weinstein ..... D13/108  
D715,219 S \* 10/2014 Ceyress ..... D13/103

D721,646 S \* 1/2015 Kim ..... D13/103  
D722,961 S \* 2/2015 Lin ..... D13/103  
D727,257 S \* 4/2015 Miller ..... D13/103  
D737,761 S \* 9/2015 Zhuang ..... D13/108  
D742,311 S \* 11/2015 Miller ..... D13/103  
D742,312 S \* 11/2015 Gupta ..... D13/103  
D745,456 S \* 12/2015 Fung ..... D13/108  
D764,404 S \* 8/2016 Lau ..... D13/103  
D783,525 S \* 4/2017 Gupta ..... D13/108  
D783,526 S \* 4/2017 Warren ..... D13/108  
D791,076 S \* 7/2017 Kim ..... D13/108  
D797,663 S \* 9/2017 Miller ..... D13/107  
2014/0042969 A1 \* 2/2014 Miller ..... H02J 7/0027  
320/111

(Continued)

*Primary Examiner* — Rosemary K Tarcza  
(74) *Attorney, Agent, or Firm* — W&K IP (Wayne & King)

(57) **CLAIM**

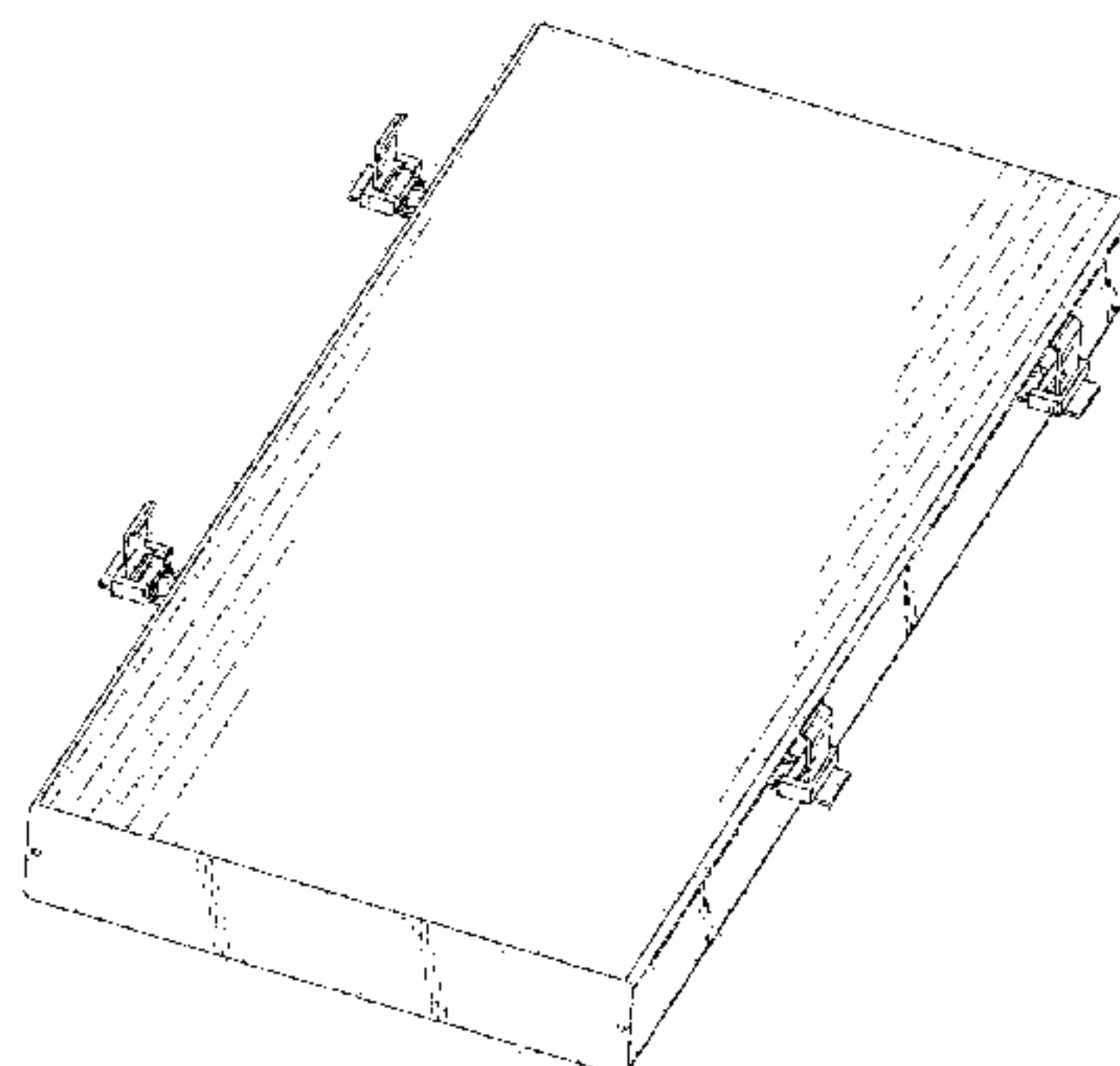
The ornamental design for power bank, as shown and described.

**DESCRIPTION**

FIG. 1 is a front view thereof;  
FIG. 2 is a rear view thereof;  
FIG. 3 is a left side view thereof;  
FIG. 4 is a right side view thereof;  
FIG. 5 is a top plan view thereof; and,  
FIG. 6 is a bottom plan view thereof  
FIG. 7 is a first perspective view thereof;  
FIG. 8 is a second perspective view thereof;  
FIG. 9 is a third perspective view thereof, with the power bank being in use;  
FIG. 10 is a fourth perspective view thereof, with the power bank being in use; and,  
FIG. 11 is a fifth perspective view thereof, with the power bank being in use.

The broken lines shown in the drawings represent portions of the power bank which form no part of the claimed design.

**1 Claim, 11 Drawing Sheets**



(56)

**References Cited**

U.S. PATENT DOCUMENTS

2015/0123594 A1\* 5/2015 Nowak ..... H02J 7/0054  
320/107  
2015/0123620 A1\* 5/2015 Nowak ..... H02J 7/0054  
320/137  
2015/0256008 A1\* 9/2015 Miller ..... H02J 7/0042  
320/107  
2016/0049818 A1\* 2/2016 Yao ..... G06K 19/06037  
320/103

\* cited by examiner

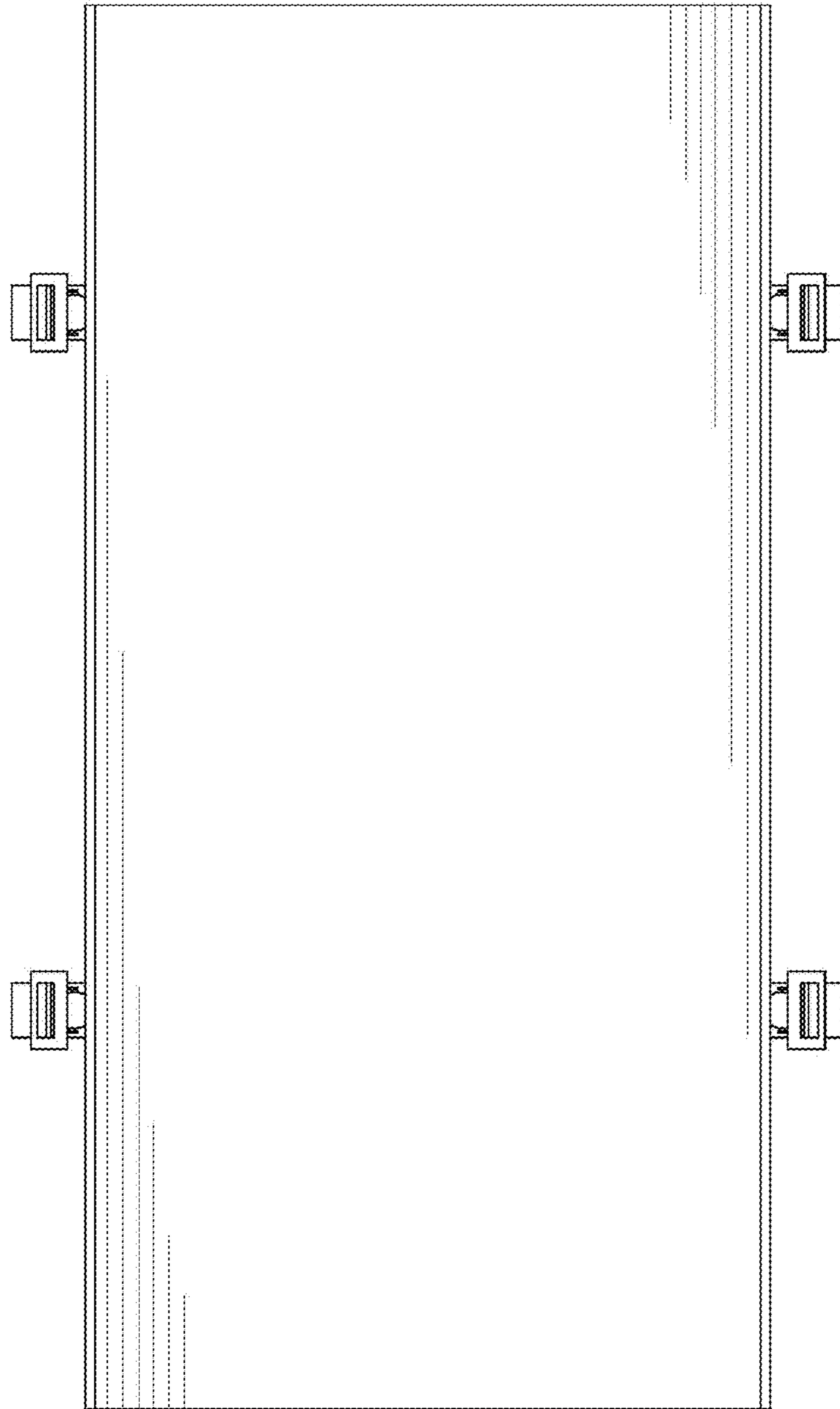


FIG. 1

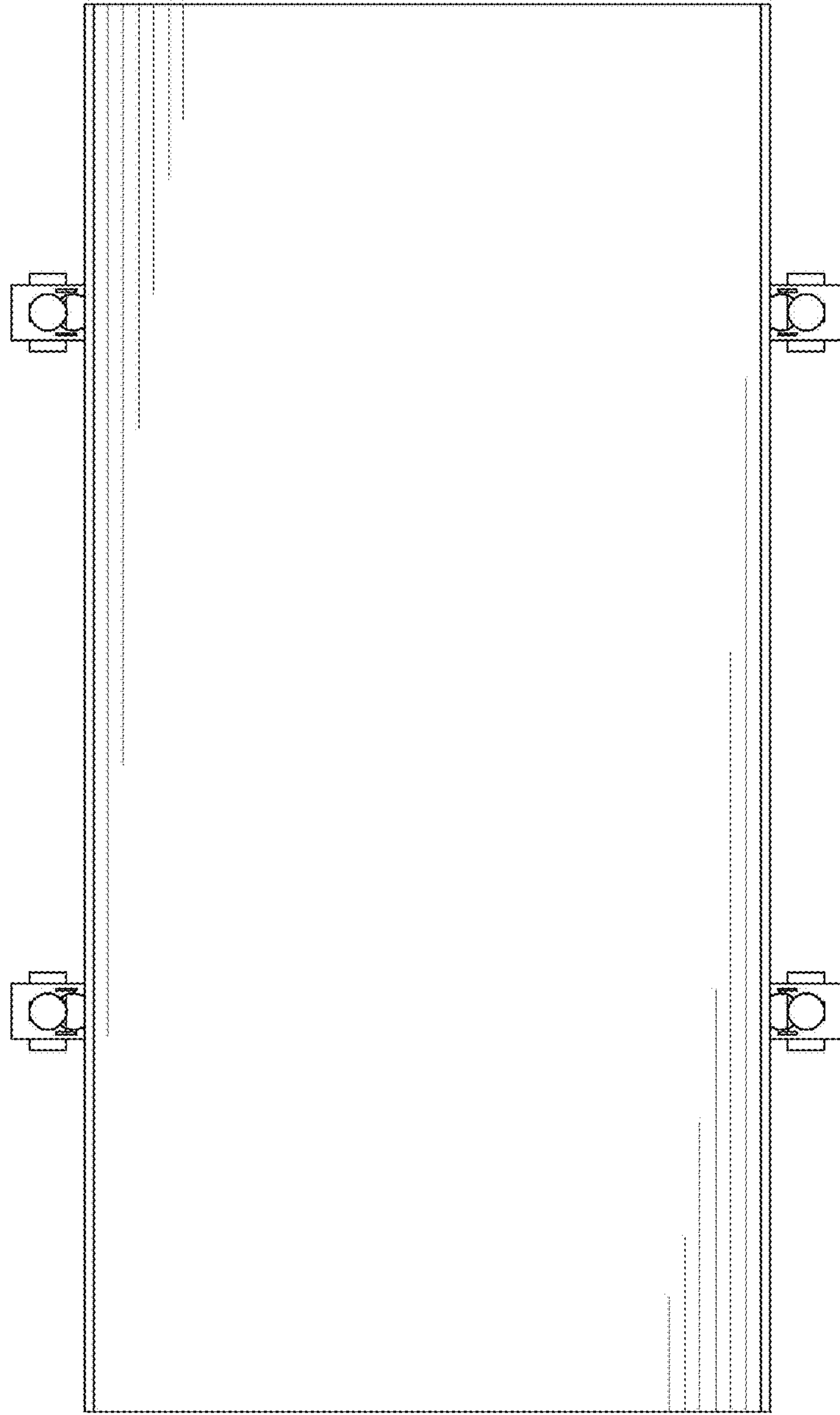


FIG. 2

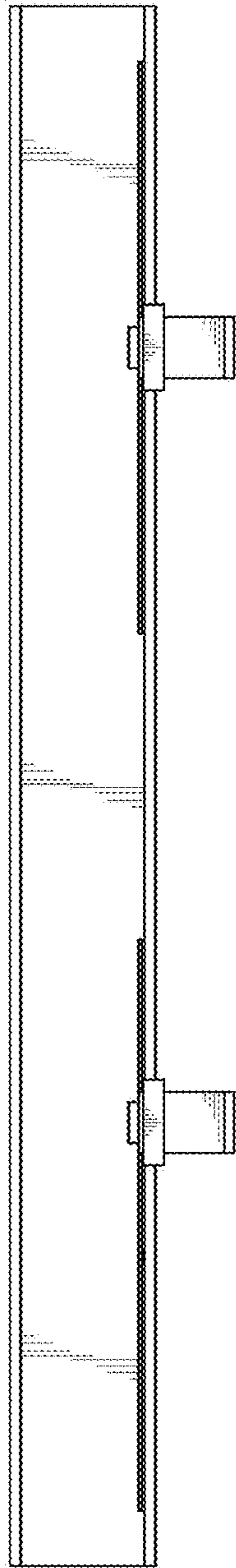


FIG.3

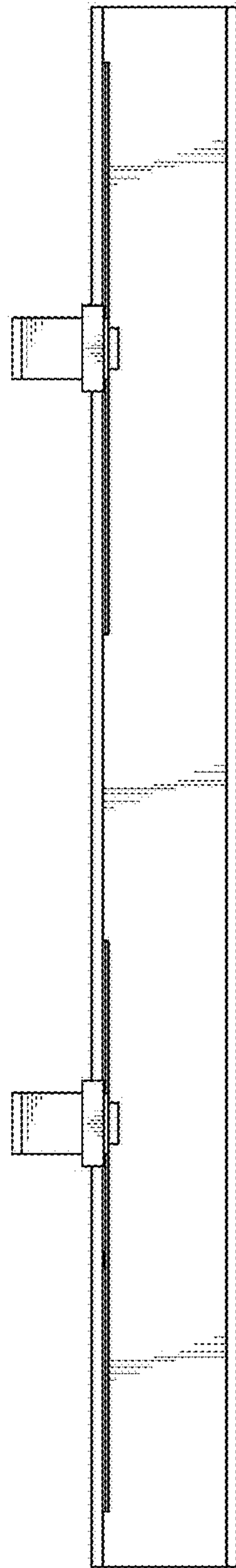


FIG.4

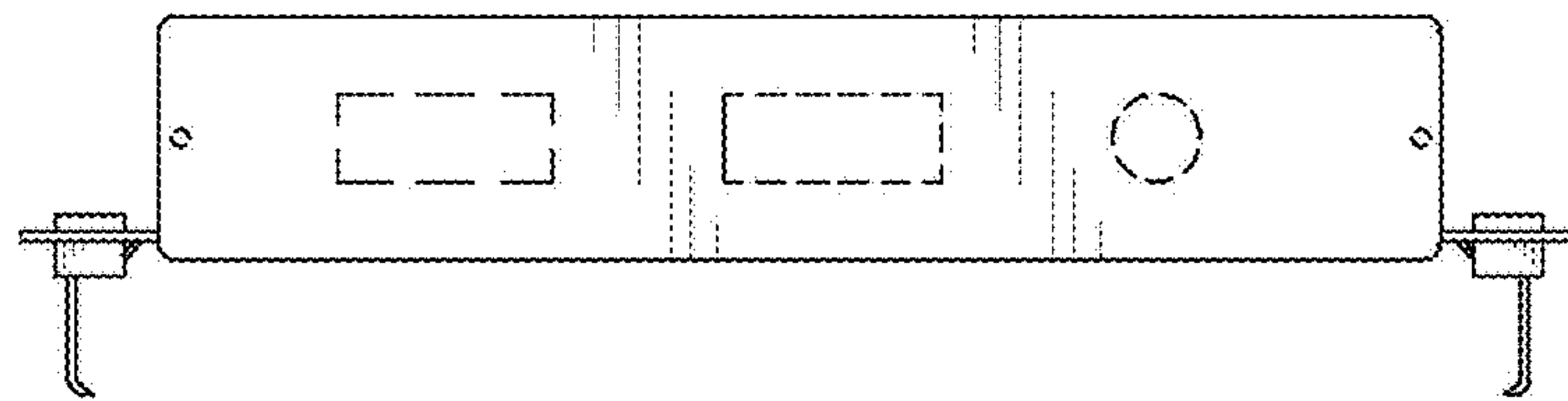


FIG.5

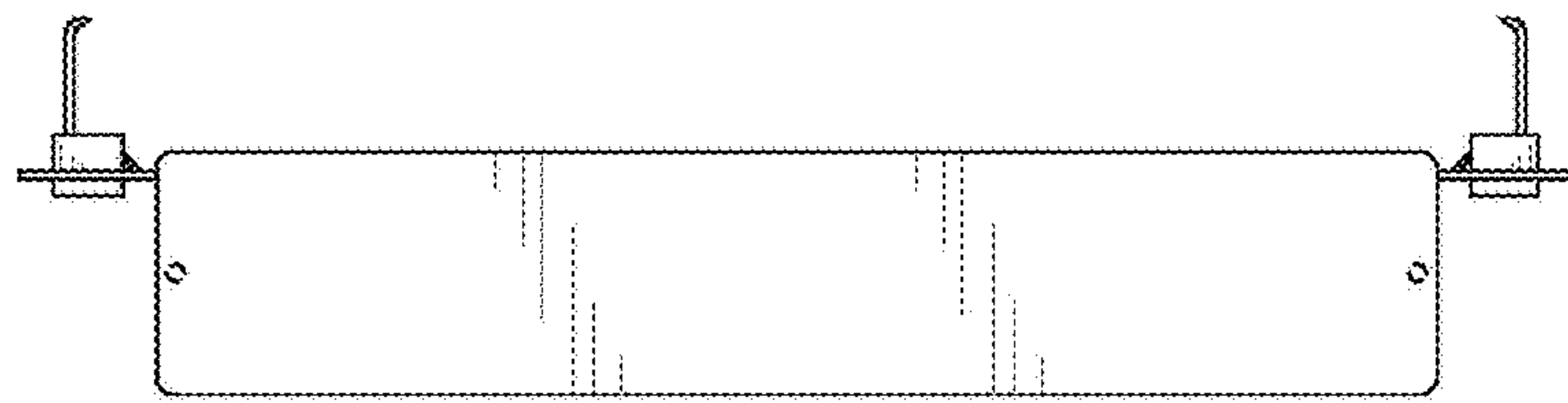


FIG.6



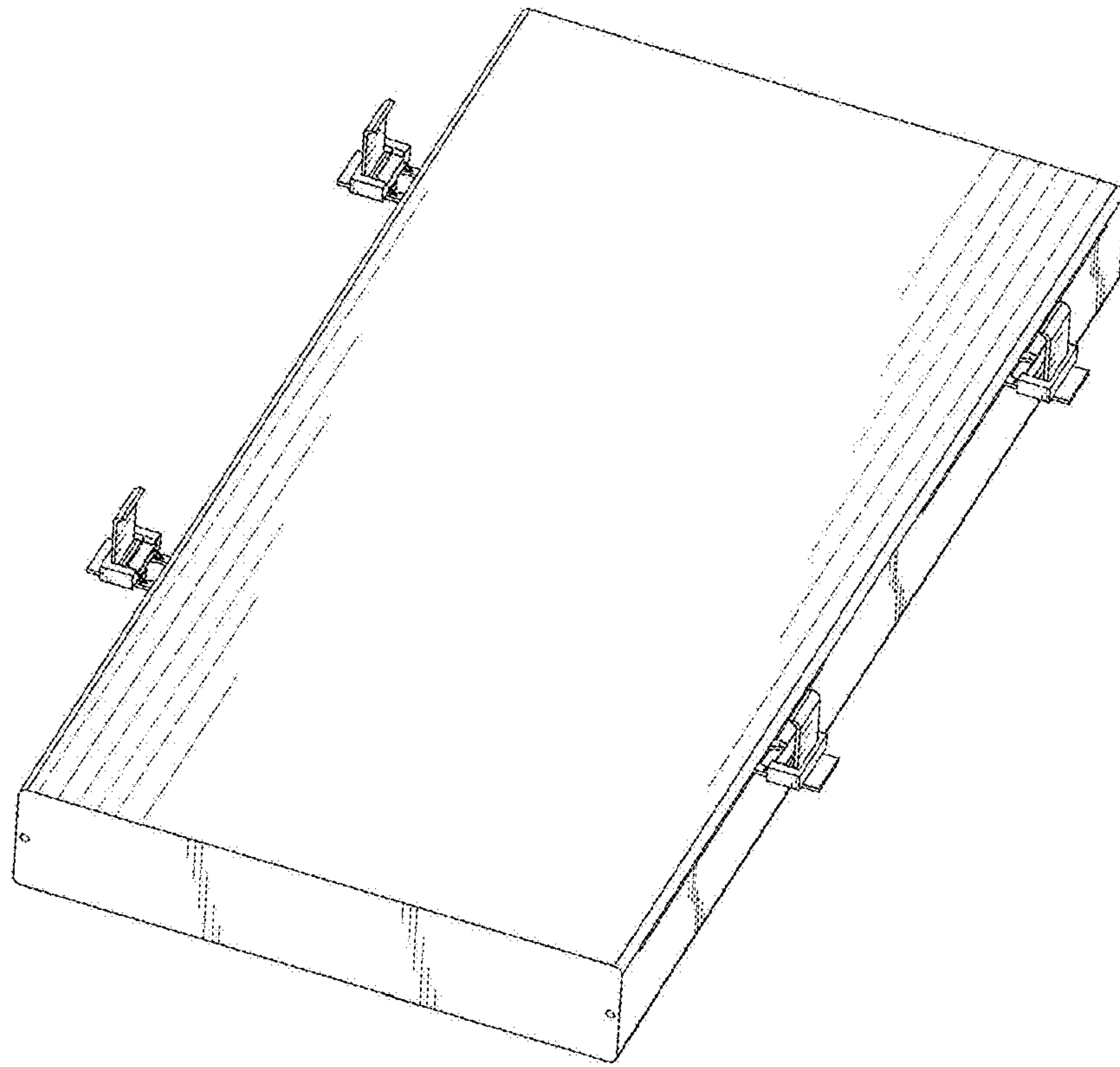


FIG.7

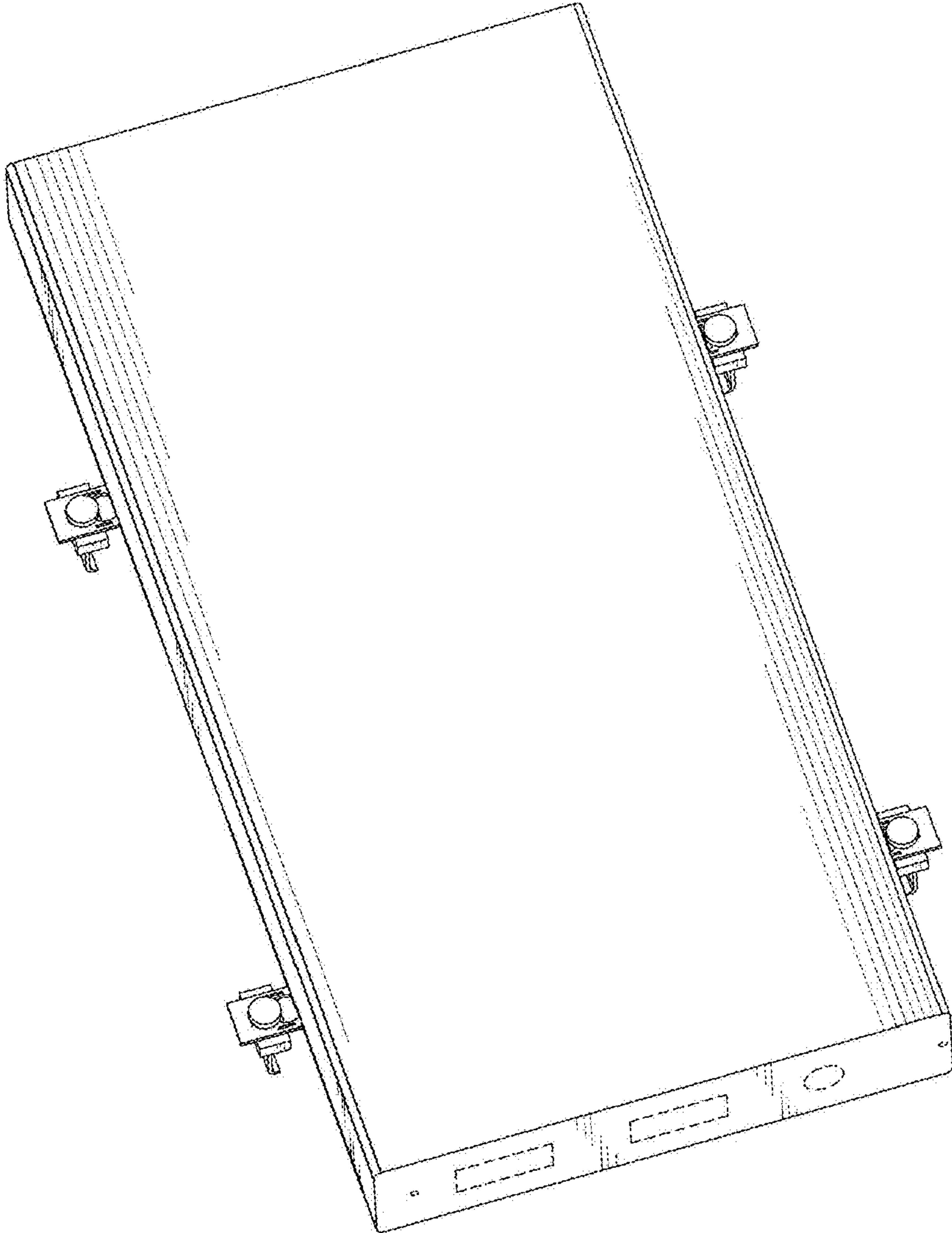


FIG.8

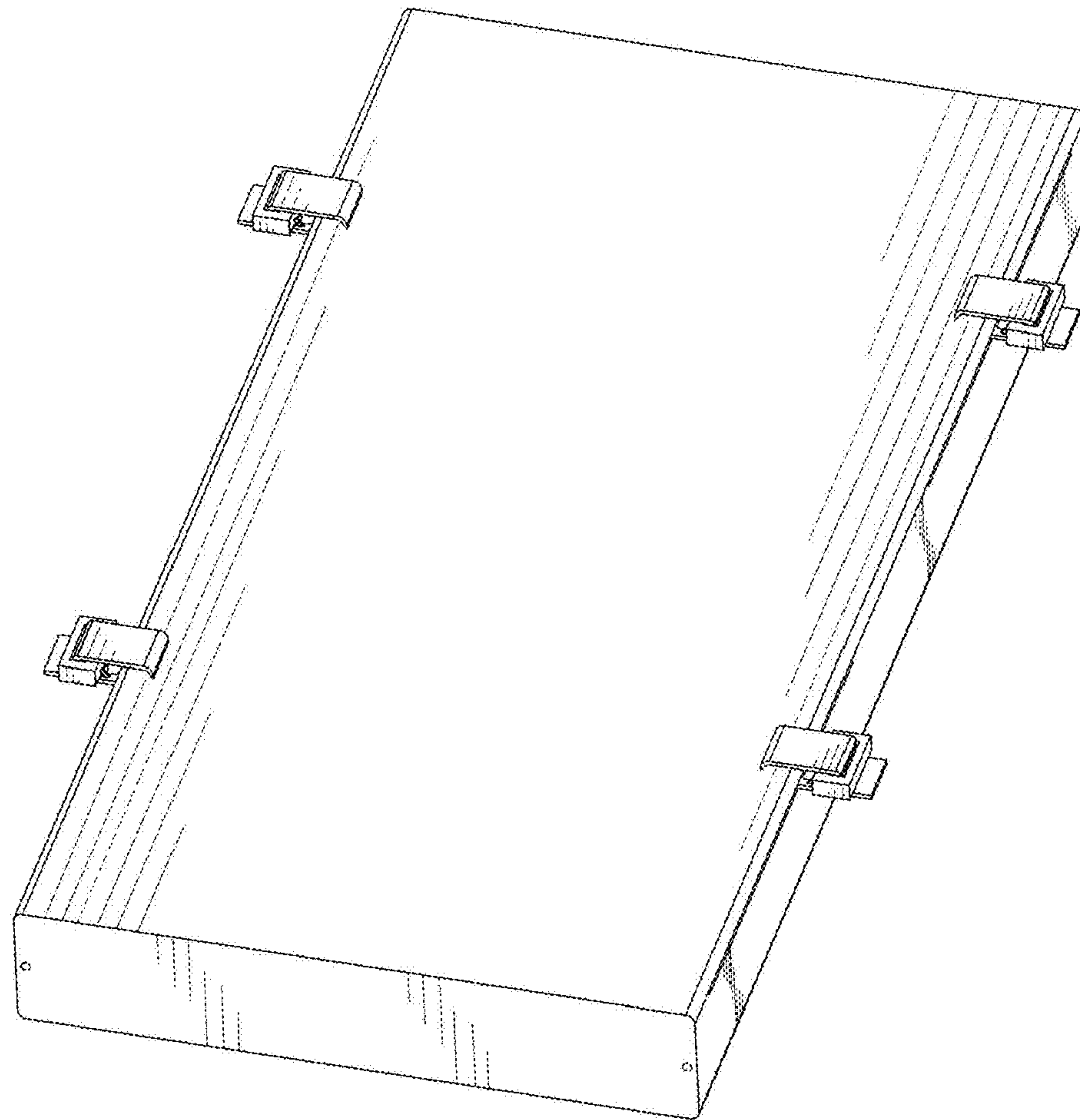


FIG.9

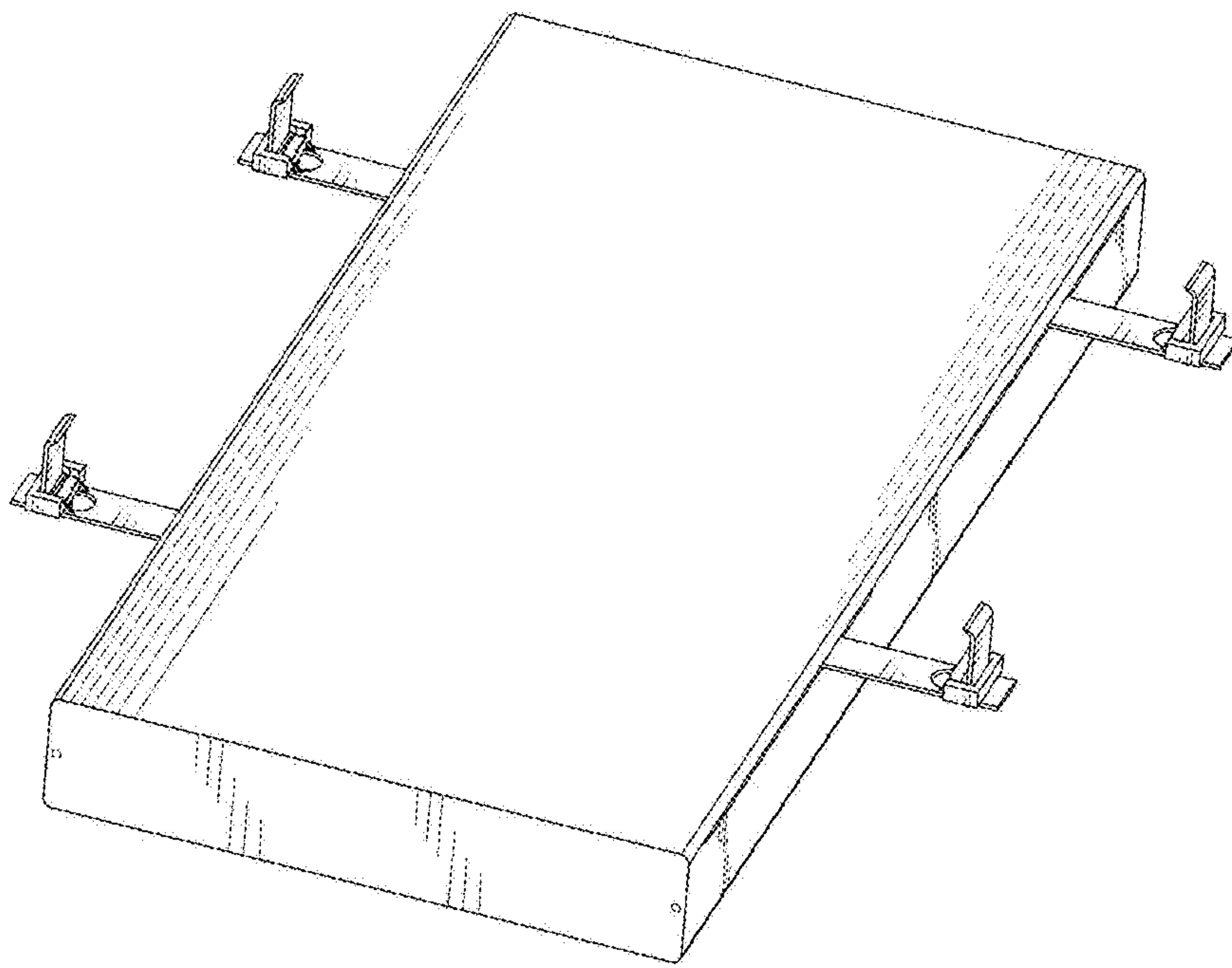


FIG.10

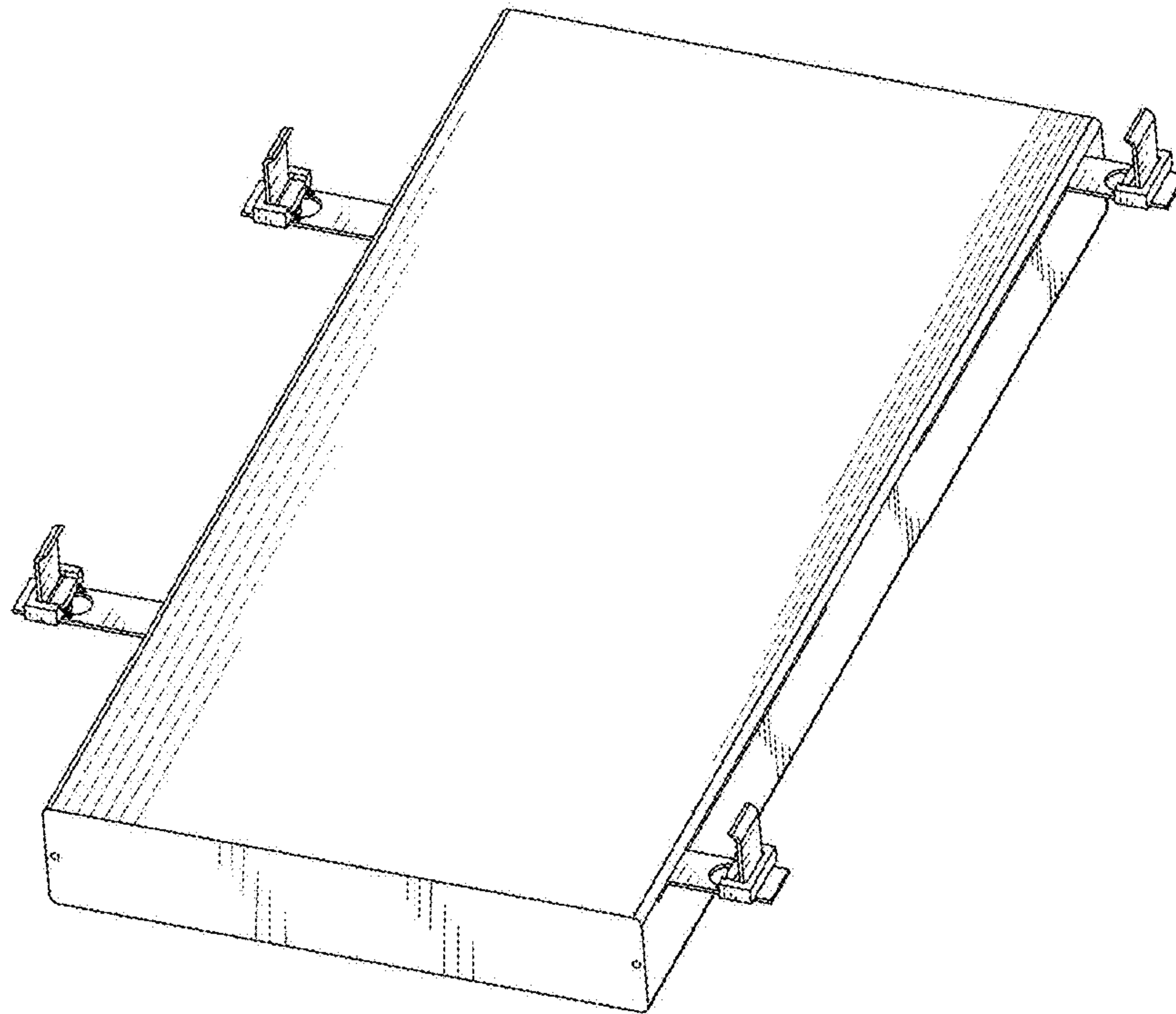


FIG. 11