

US00D840331S

(12) **United States Design Patent**
Kim et al.

(10) **Patent No.:** **US D840,331 S**

(45) **Date of Patent:** **** Feb. 12, 2019**

(54) **ELECTRIC VEHICLE CHARGE HANDLE**

(71) Applicant: **Faraday & Future Inc.**, Gardena, CA (US)

(72) Inventors: **Richard S. Kim**, Los Angeles, CA (US); **Mike de Jung**, Marina del Rey, CA (US)

(73) Assignee: **FARADAY & FUTURE INC.**, Gardena, CA (US)

(**) Term: **15 Years**

(21) Appl. No.: **29/575,267**

(22) Filed: **Aug. 23, 2016**

(51) **LOC (11) Cl.** **13-02**

(52) **U.S. Cl.**
USPC **D13/102**

(58) **Field of Classification Search**
USPC D13/107, 118, 119, 133, 154, 184, 199
CPC .. H02J 7/02; H02J 50/10; H01R 13/60; H01R 13/62; H01R 13/641
See application file for complete search history.

(56) **References Cited**

U.S. PATENT DOCUMENTS

D665,733 S * 8/2012 Petrie D13/107
D791,073 S * 7/2017 Kim D13/107

D791,074 S * 7/2017 Kim D13/107
2011/0070758 A1* 3/2011 Poulin B60L 11/1818
439/153
2016/0315488 A1* 10/2016 Moon B60L 11/1812
2017/0174089 A1* 6/2017 Musick B60L 11/1816
2017/0313199 A1* 11/2017 Djrbashian B60L 11/1818
2018/0056797 A1* 3/2018 Cao B60L 11/1818

* cited by examiner

Primary Examiner — Daniel D Bui

(74) *Attorney, Agent, or Firm* — Skyler R. Lund

(57) **CLAIM**

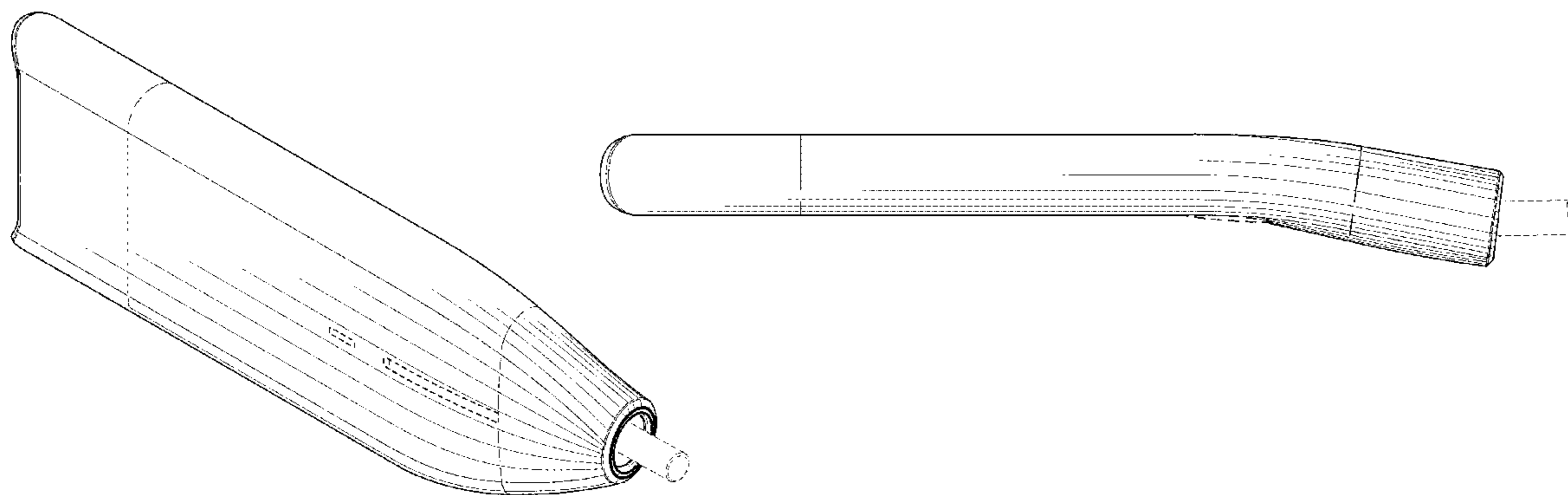
The ornamental design for an electric vehicle charge handle, as shown and described.

DESCRIPTION

FIG. 1 is a perspective view of an electric vehicle charge handle showing our new design;
FIG. 2 is a front view thereof;
FIG. 3 is a rear view thereof;
FIG. 4 is a side view thereof;
FIG. 5 is a side view thereof;
FIG. 6 is a top view thereof; and,
FIG. 7 is a bottom view thereof.

The broken lines in FIGS. 1-7 represent unclaimed environment, and form no part of the claimed design.

1 Claim, 7 Drawing Sheets



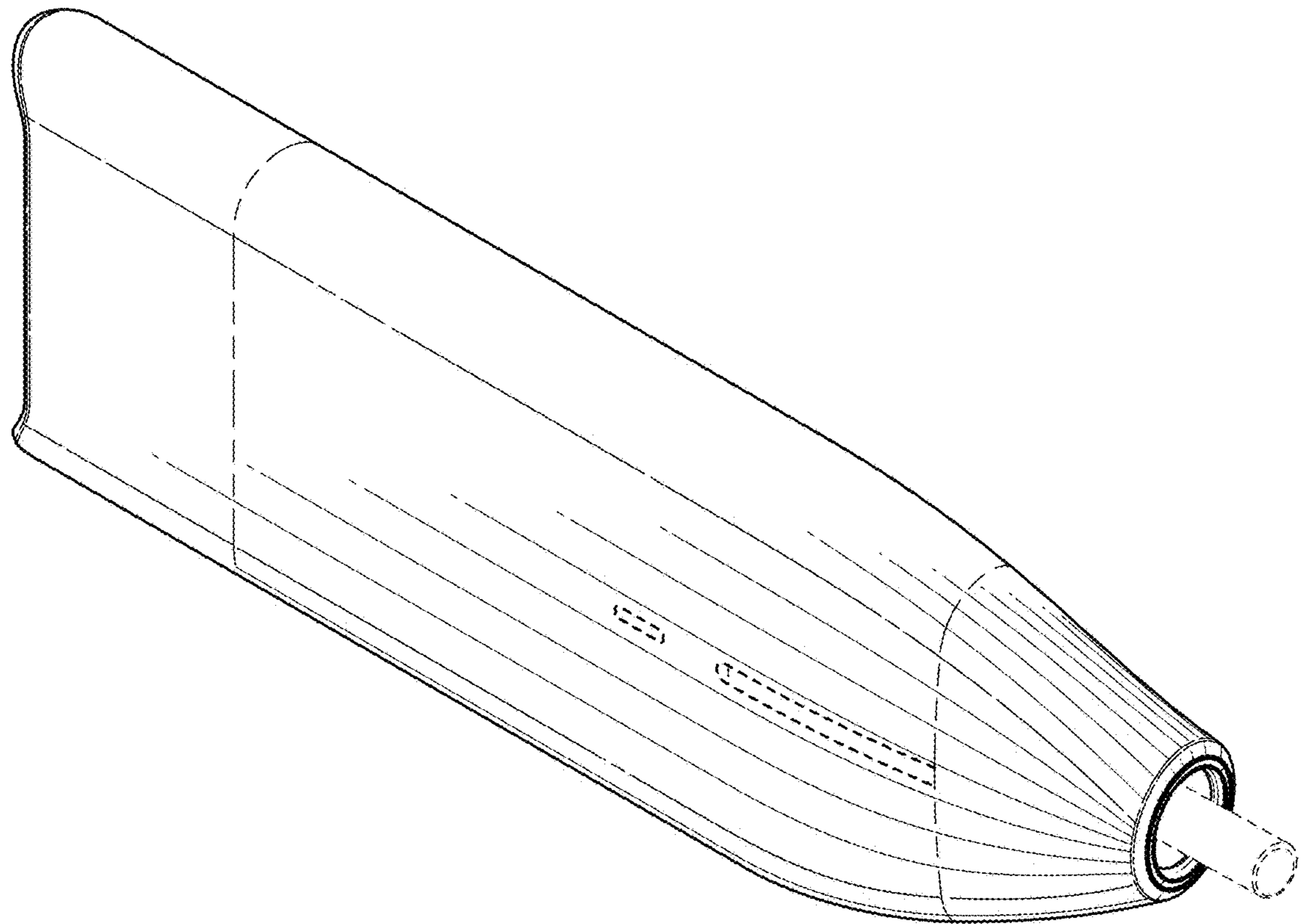


FIG. 1

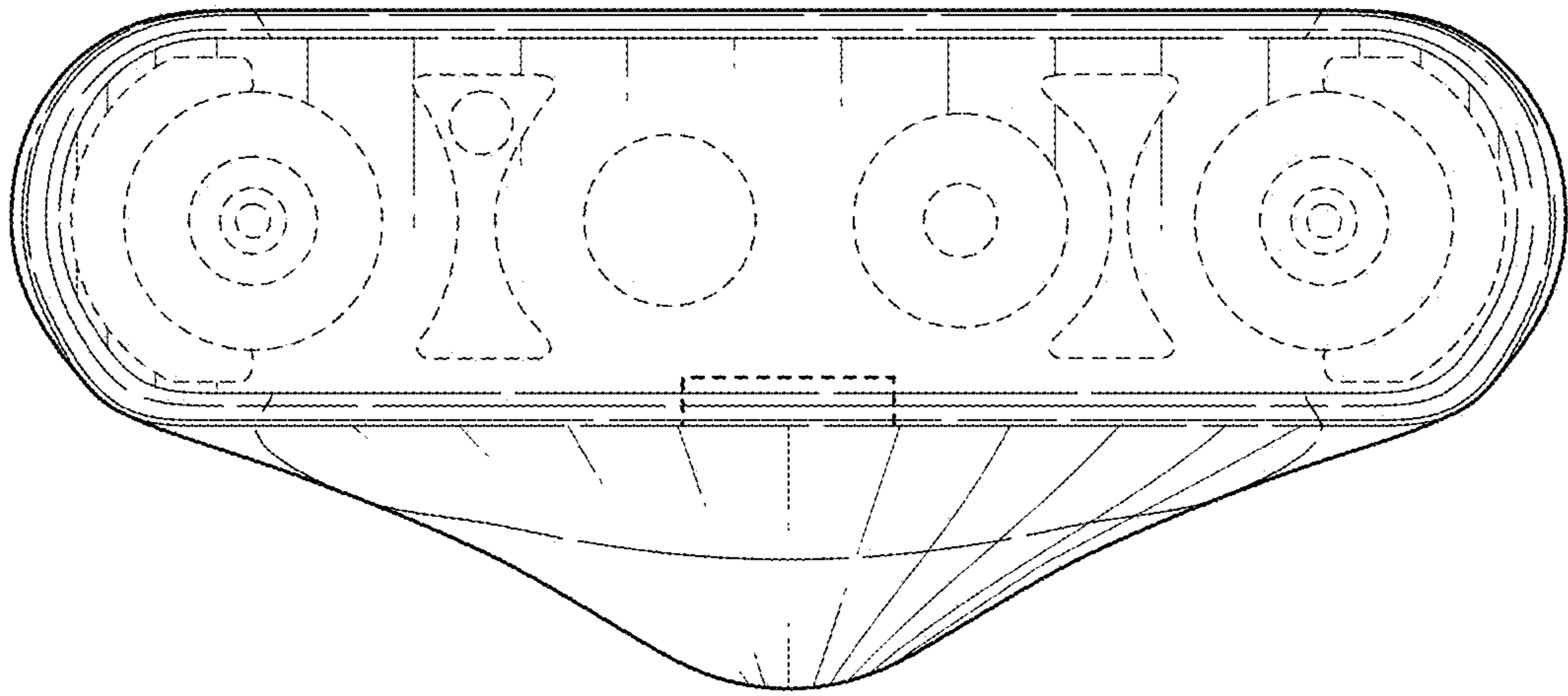


FIG. 2

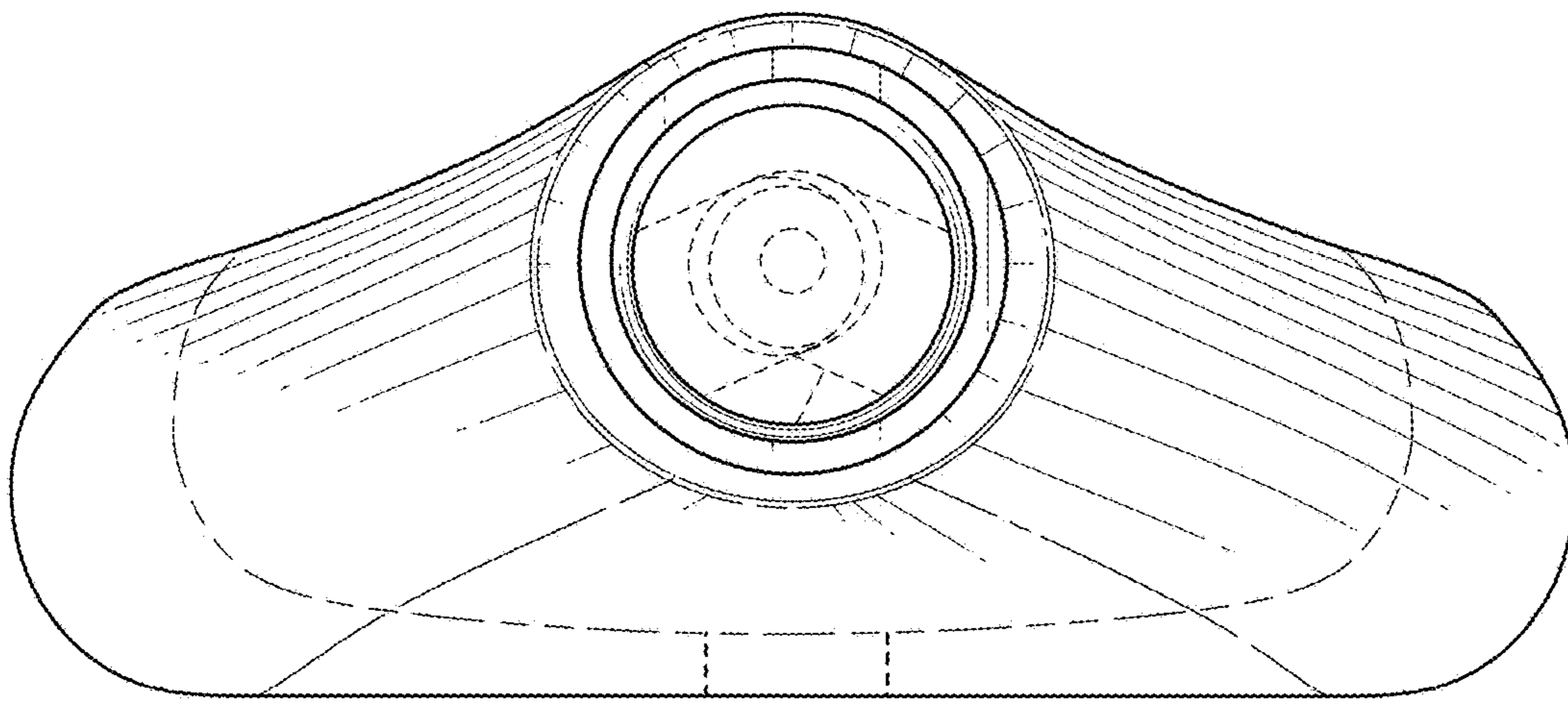


FIG. 3

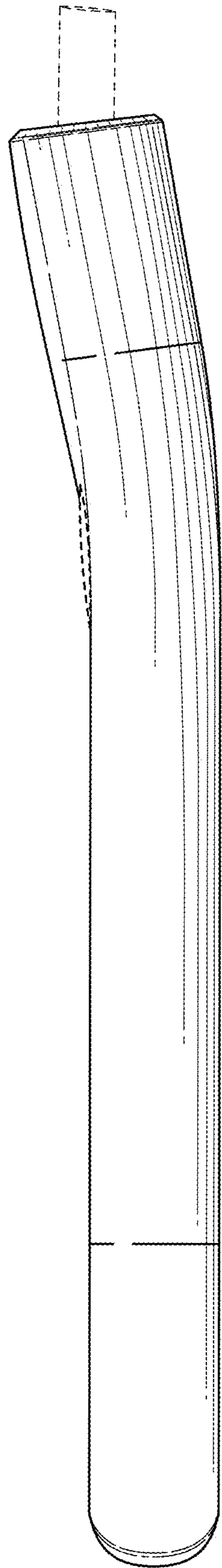


FIG. 4

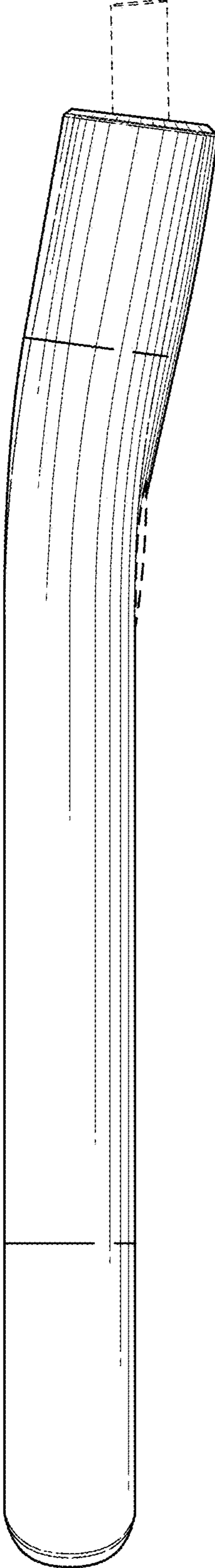


FIG. 5

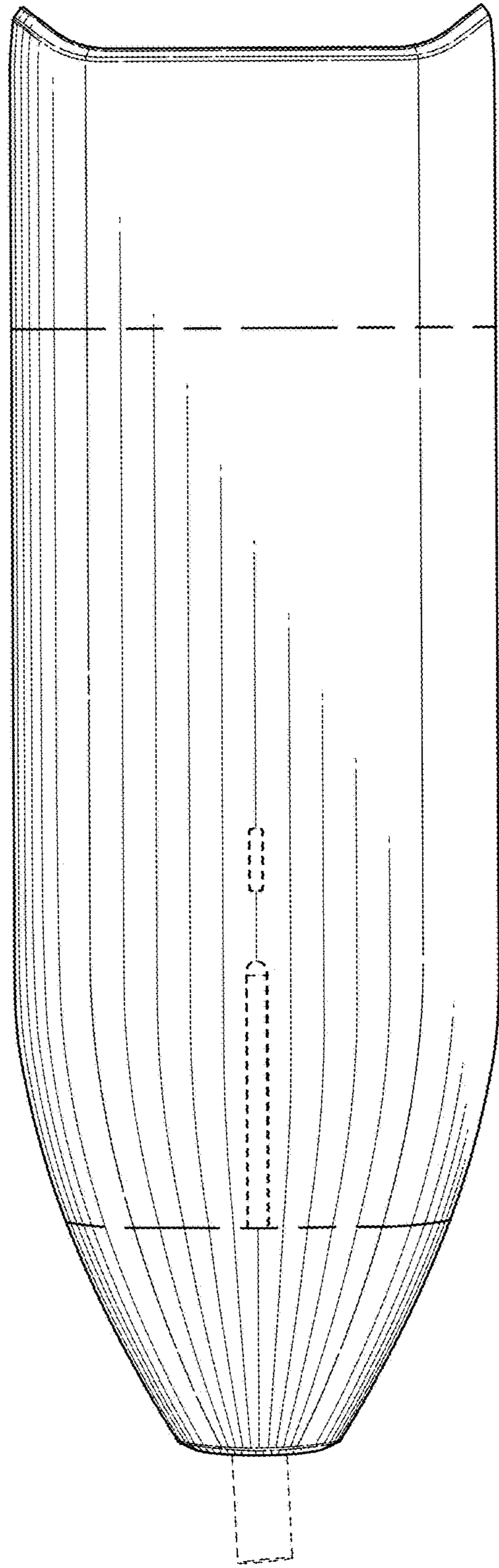


FIG. 6

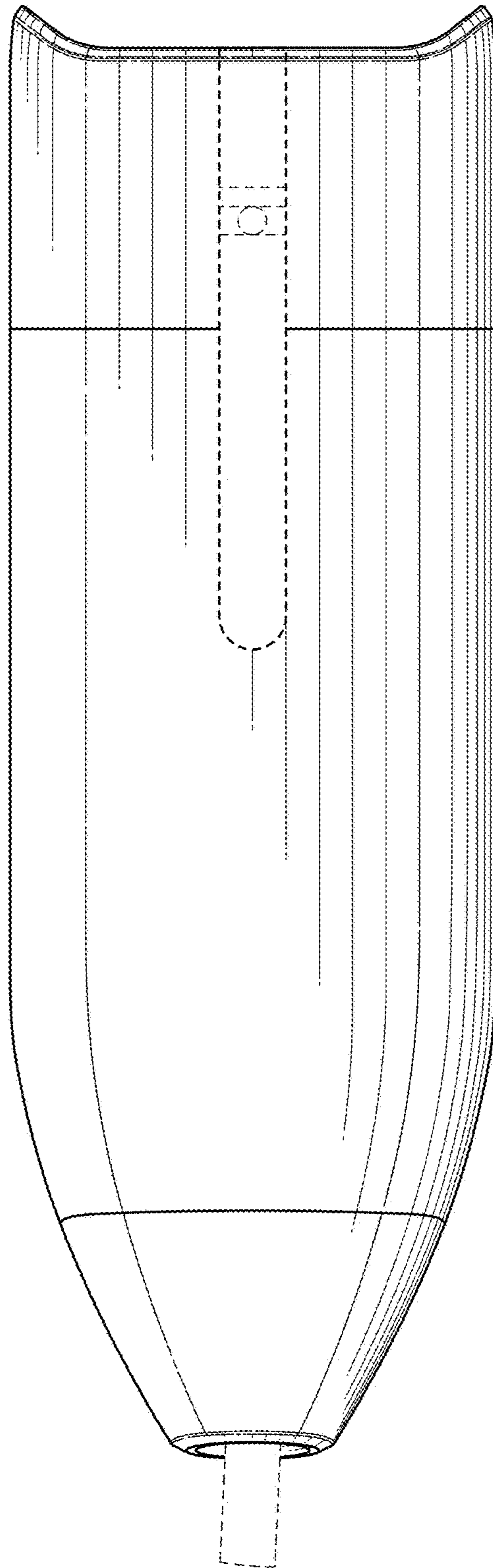


FIG. 7