



US00D840325S

(12) **United States Design Patent** (10) **Patent No.:** **US D840,325 S**
Sandys et al. (45) **Date of Patent:** **** Feb. 12, 2019**

(54) **INTERIOR PANEL FOR A VEHICLE**

D493,757 S * 8/2004 Pfeiffer D12/192
D494,907 S * 8/2004 Pfeiffer D12/192
D622,195 S * 8/2010 Lester D12/192
D801,245 S * 10/2017 Giolito D12/192

(71) Applicant: **Jaguar Land Rover Limited**, Whitley, Coventry (GB)

* cited by examiner

(72) Inventors: **Jonathan Sandys**, Coventry (GB); **Chloe Nunn**, Coventry (GB)

Primary Examiner — Abraham Bahta

(73) Assignee: **Jaguar Land Rover Limited**, Whitley, Coventry (GB)

(74) *Attorney, Agent, or Firm* — Wood Herron & Evans LLP

(**) Term: **15 Years**

(21) Appl. No.: **29/629,172**

(57) **CLAIM**

(22) Filed: **Dec. 12, 2017**

The ornamental design for an interior panel for a vehicle, as shown and described.

(30) **Foreign Application Priority Data**

Jun. 15, 2017 (EM) 004048916

DESCRIPTION

(51) **LOC (11) Cl.** **12-16**

(52) **U.S. Cl.**
USPC **D12/415**

(58) **Field of Classification Search**
USPC D12/415-420, 400, 195, 191, 106, 345, D12/96, 99
CPC B60R 7/04; B60R 7/06; B60R 7/08; B60K 37/00; B60K 37/02; B60K 37/04; B60K 37/06
See application file for complete search history.

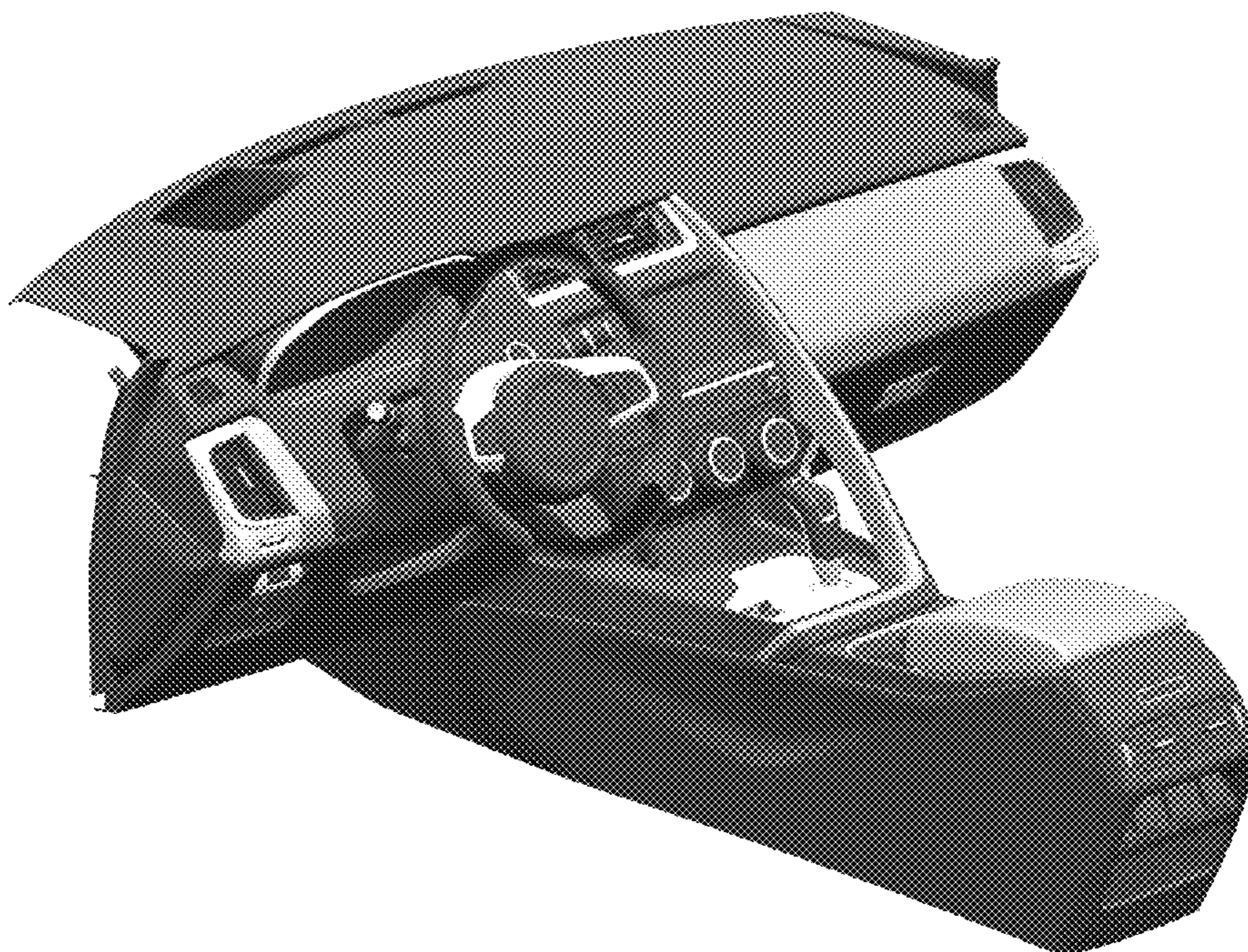
FIG. 1 is a front left perspective view of an interior panel for a vehicle according to the present invention.
FIG. 2 is a front right perspective view of the interior panel shown in FIG. 1.
FIG. 3 is a rear right perspective view thereof.
FIG. 4 is a rear left perspective view thereof.
FIG. 5 is a front top view thereof.
FIG. 6 is a rear top view thereof.
FIG. 7 is a left top side view thereof.
FIG. 8 is a right top side view thereof; and,
FIG. 9 is a top view thereof.

(56) **References Cited**

U.S. PATENT DOCUMENTS

D440,193 S * 4/2001 Pfeiffer D12/192
D492,631 S * 7/2004 Pfeiffer D12/192

1 Claim, 9 Drawing Sheets



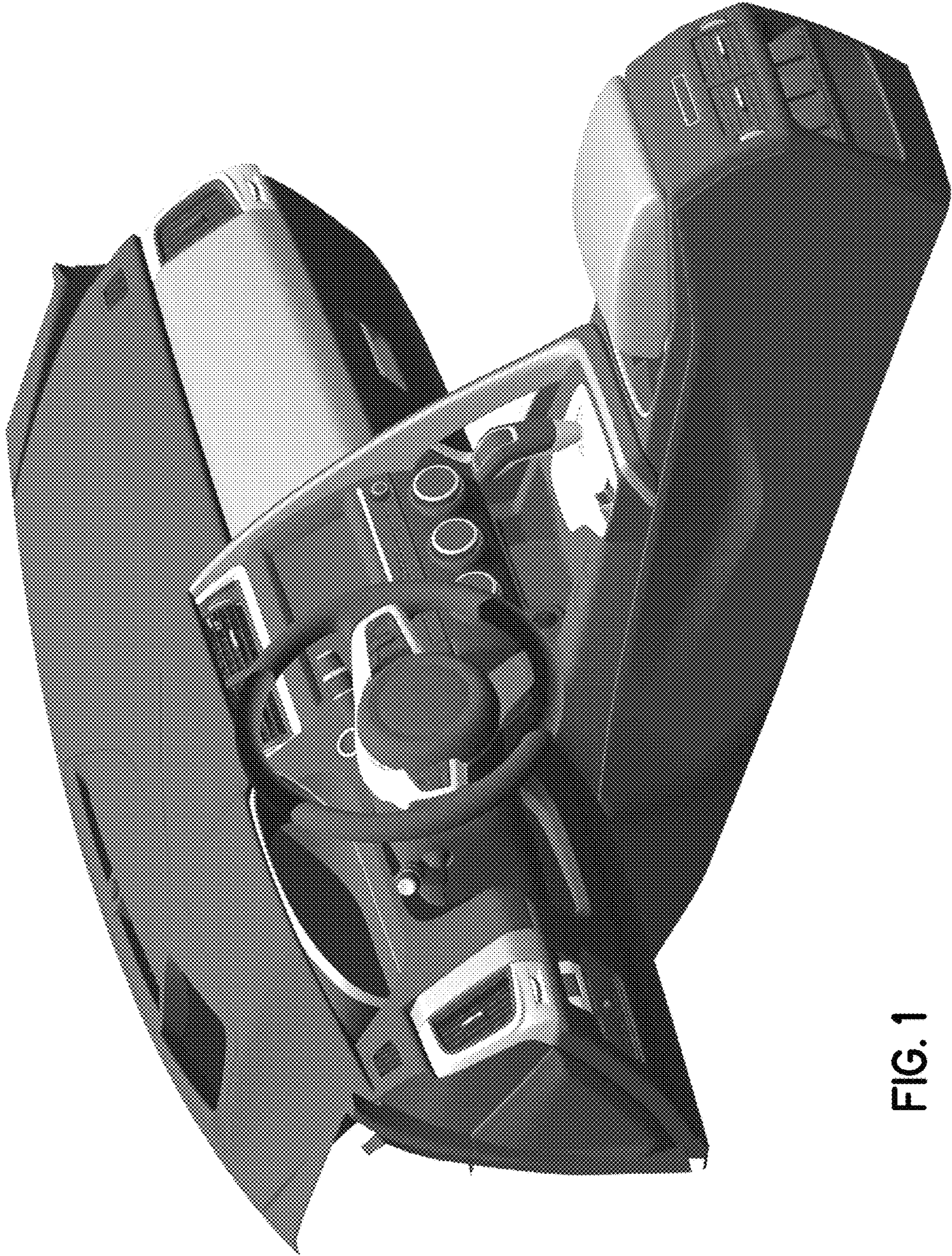


FIG. 1

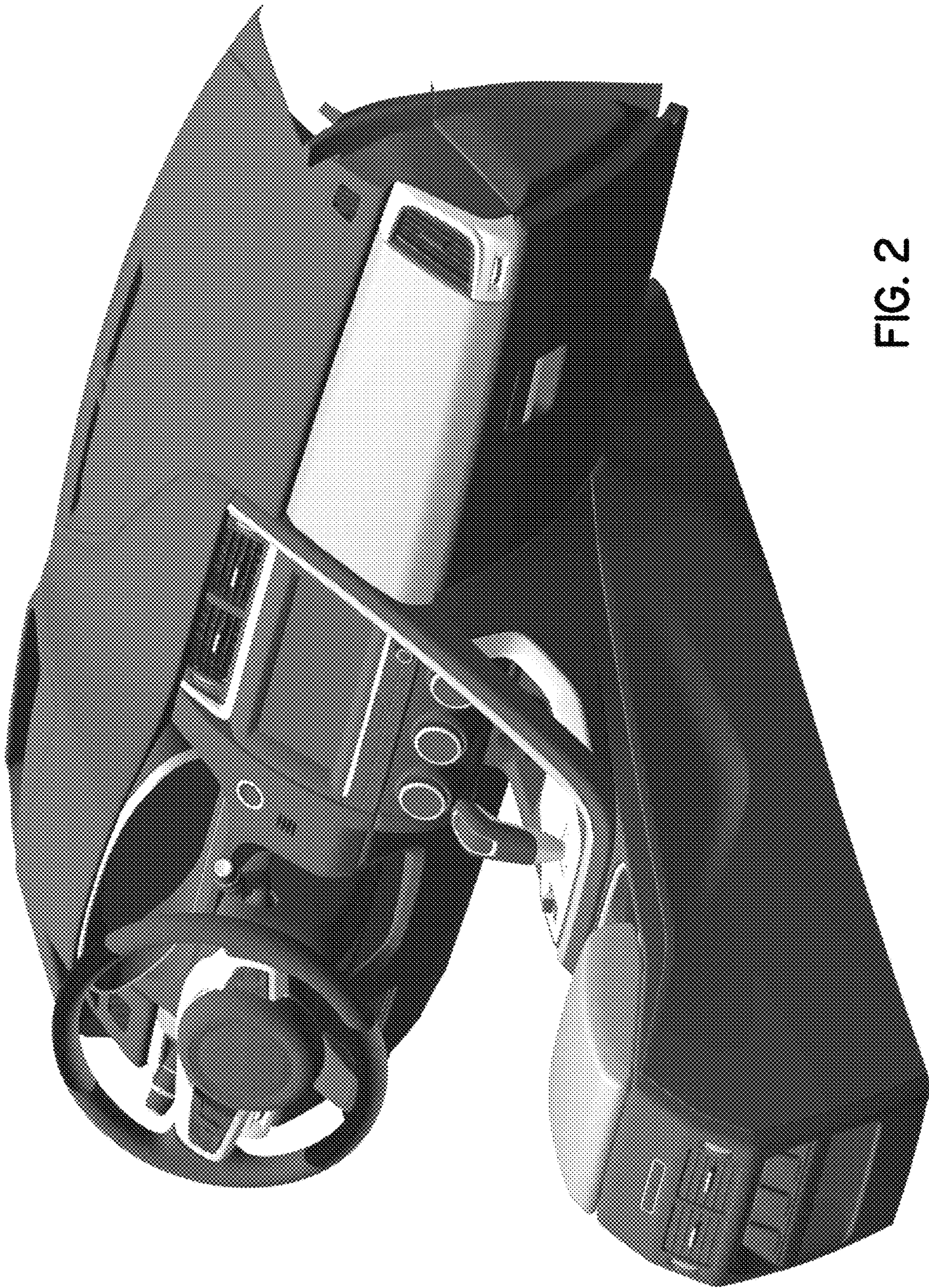


FIG. 2

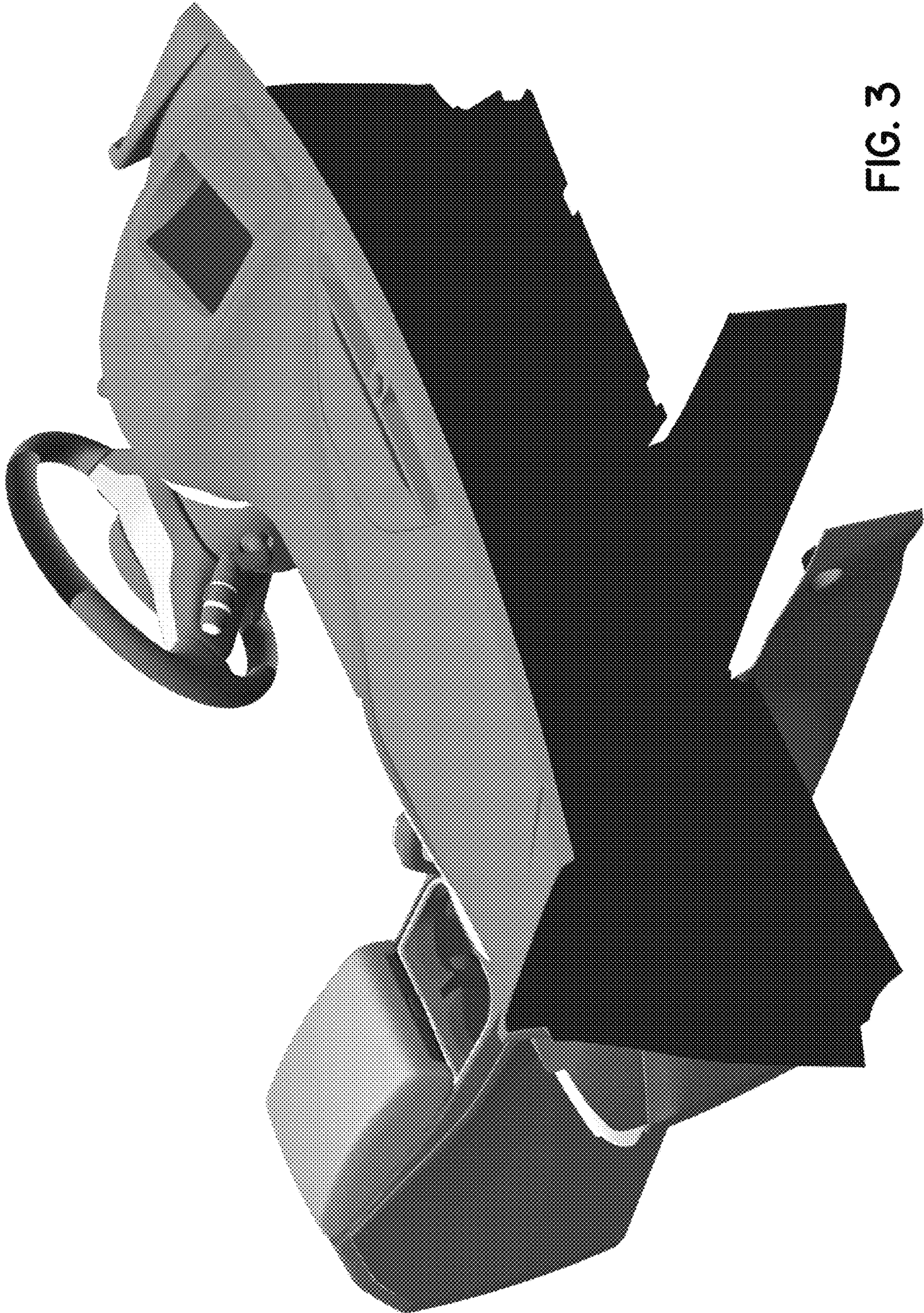


FIG. 3

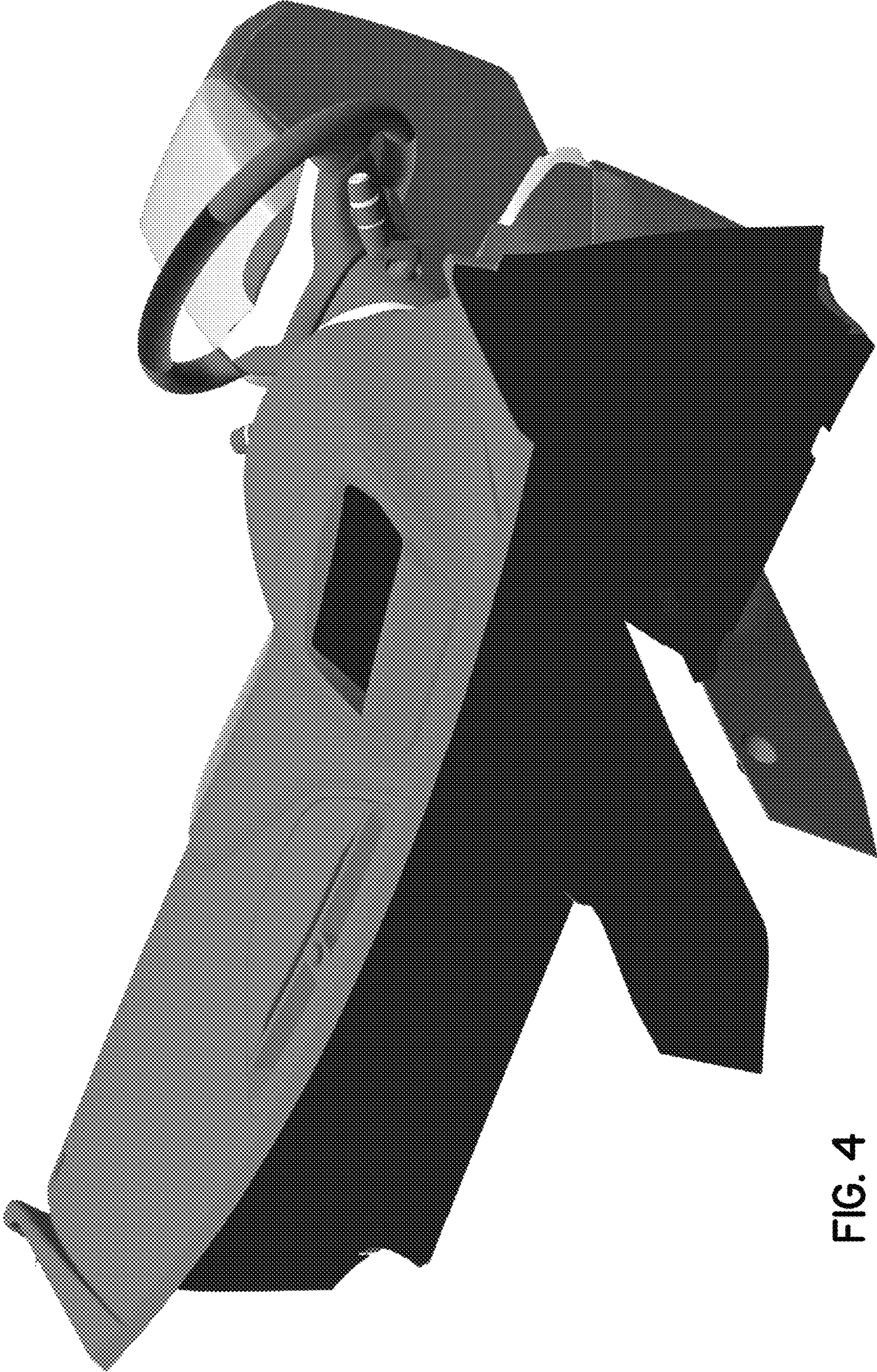


FIG. 4

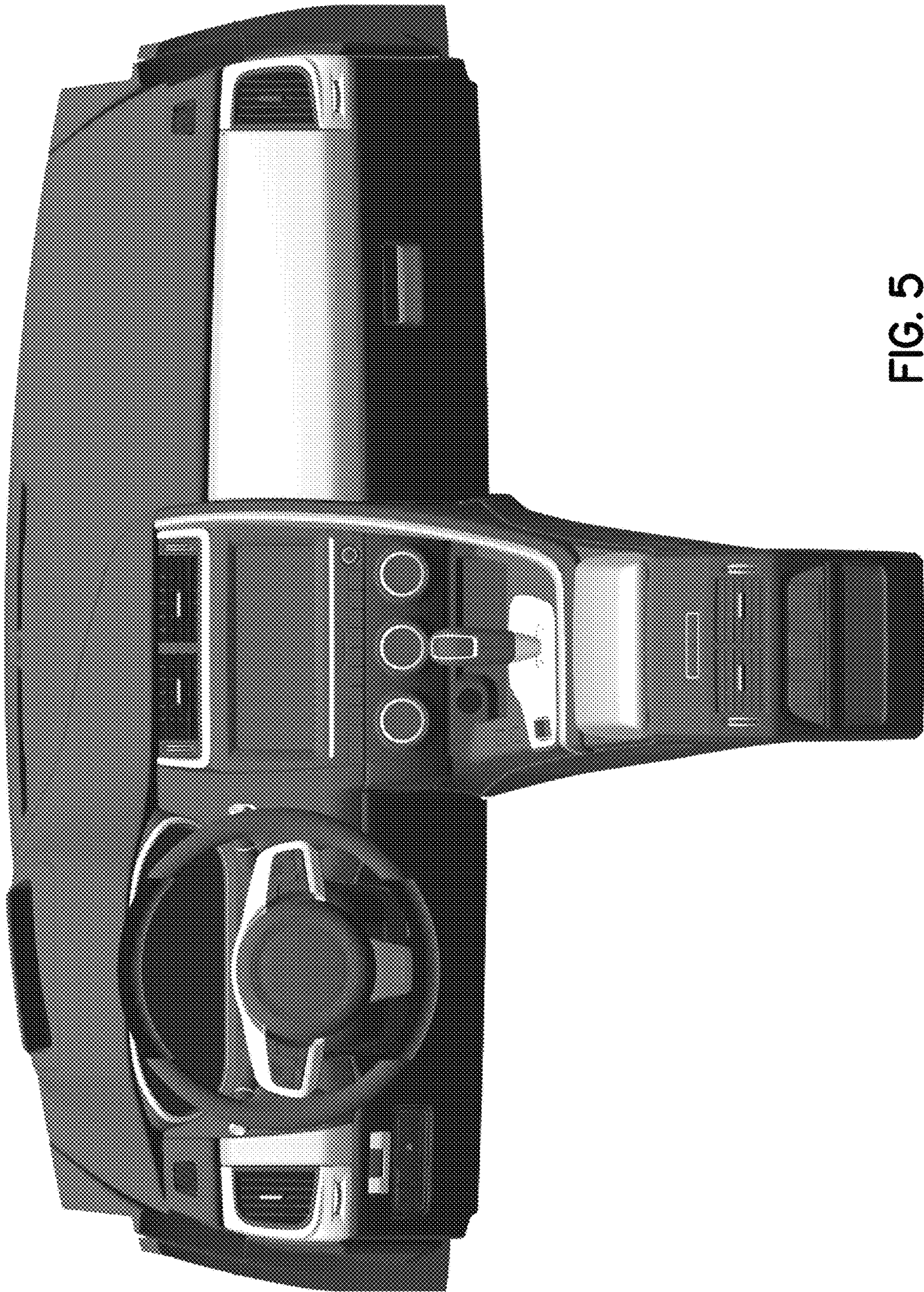


FIG. 5

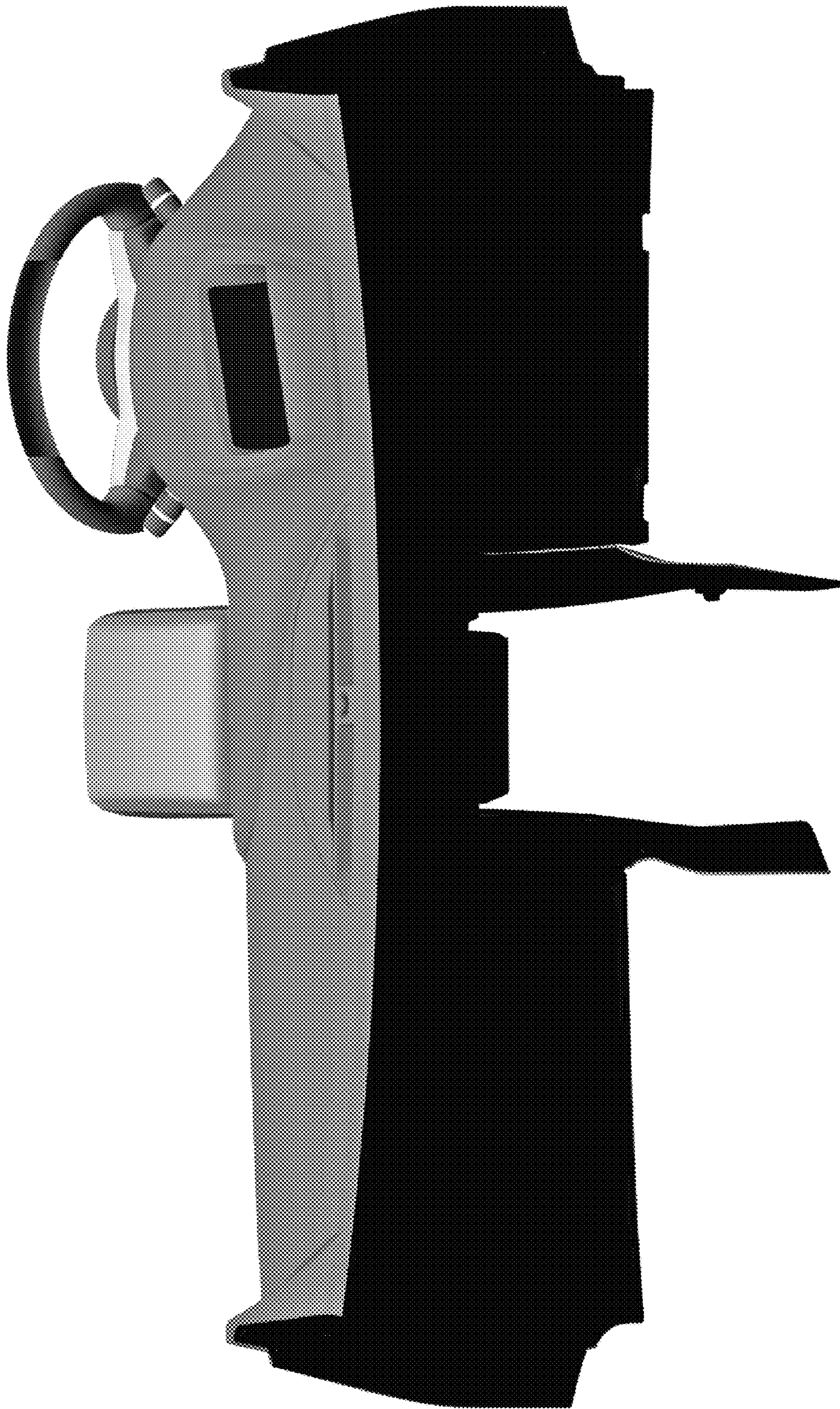


FIG. 6

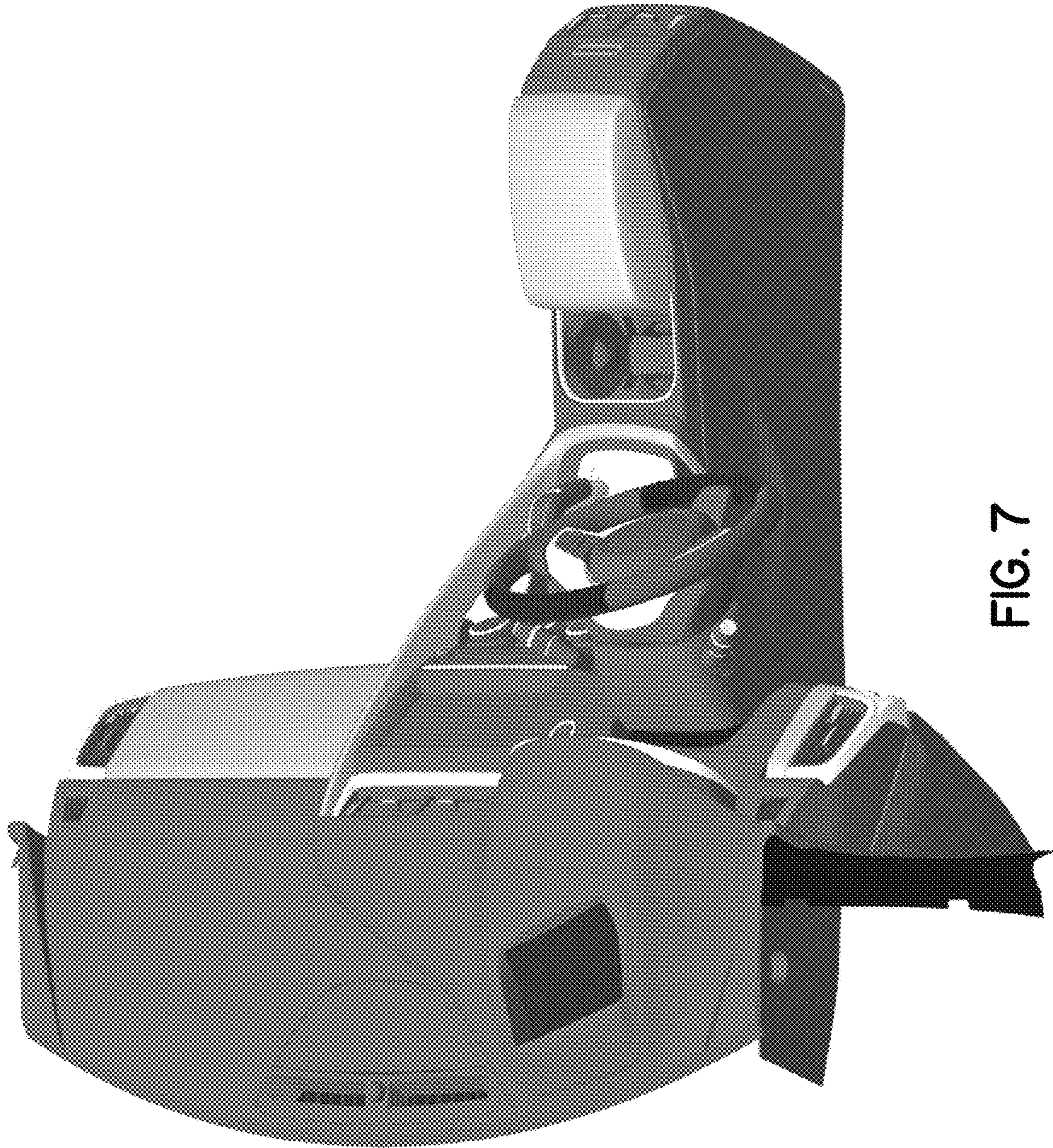


FIG. 7

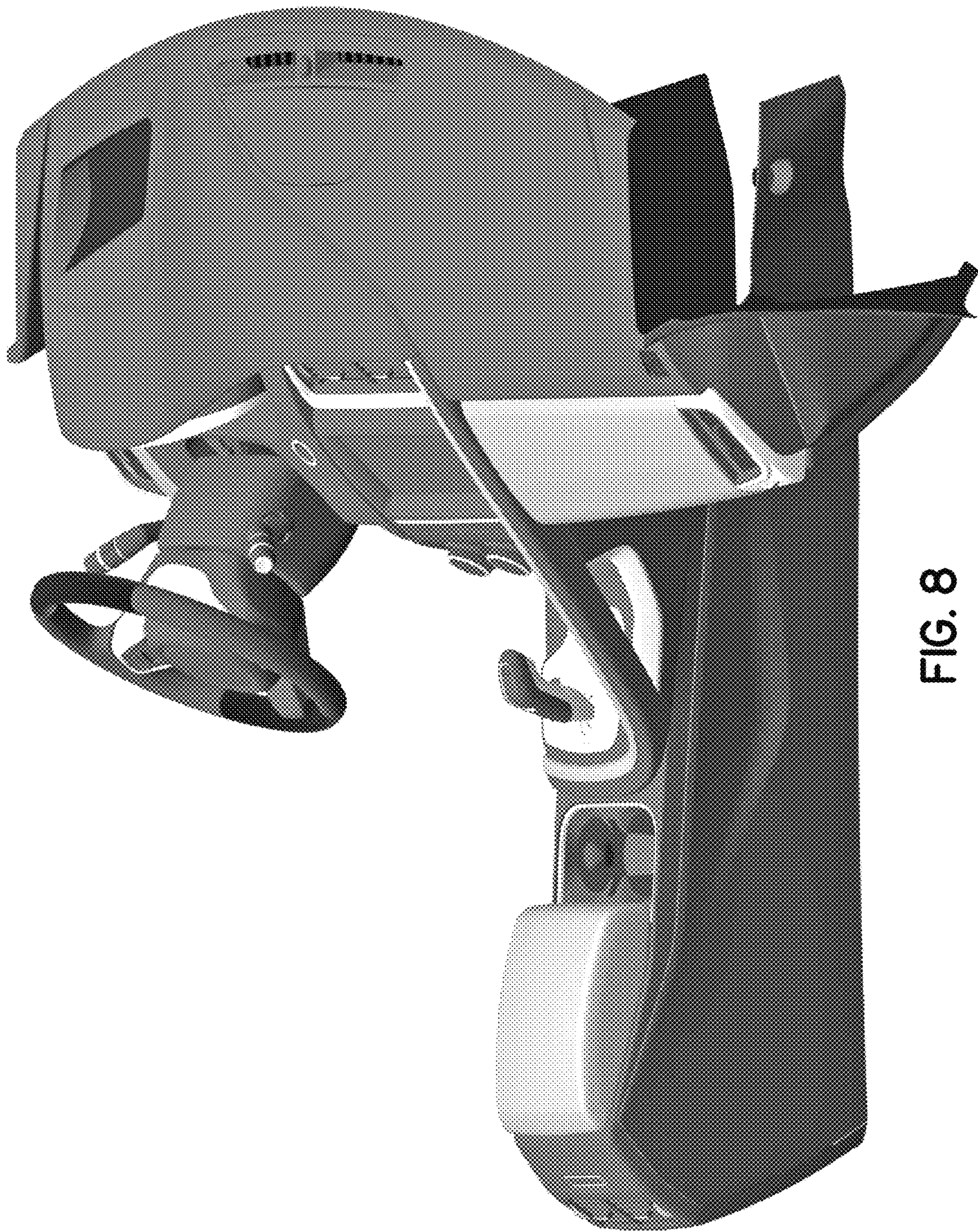


FIG. 8

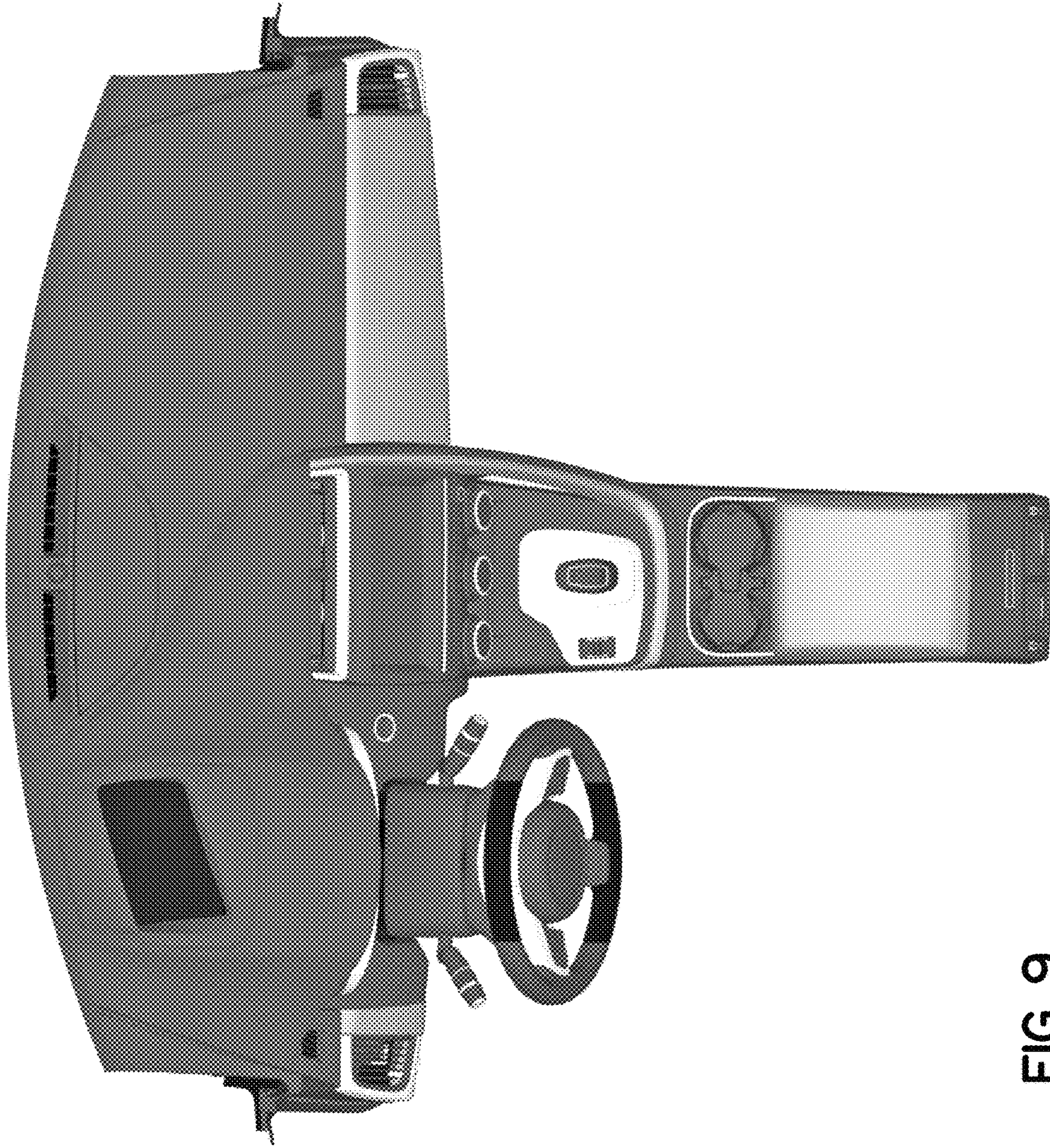


FIG. 9