



US00D840323S

(12) **United States Design Patent** (10) **Patent No.:** **US D840,323 S**
Tako et al. (45) **Date of Patent:** **** Feb. 12, 2019**

(54) **STORAGE BOX FOR MOTORCYCLE**

(71) Applicant: **HONDA MOTOR CO., LTD.**, Tokyo (JP)

(72) Inventors: **Kenji Tako**, Wako (JP); **Hirotsugu Ueno**, Wako (JP)

(73) Assignee: **HONDA MOTOR CO., LTD.**, Tokyo (JP)

(**) Term: **15 Years**

(21) Appl. No.: **29/618,168**

(22) Filed: **Sep. 19, 2017**

(30) **Foreign Application Priority Data**

Mar. 24, 2017 (JP) 2017-006083

(51) **LOC (11) Cl.** **12-16**

(52) **U.S. Cl.**
USPC **D12/410**

(58) **Field of Classification Search**
USPC D12/110, 114, 409, 410; D3/273, 276, D3/281, 282

CPC B62J 9/00; B62J 9/006; B62J 9/008; B62J 7/00

See application file for complete search history.

(56) **References Cited**

U.S. PATENT DOCUMENTS

D236,822 S *	9/1975	Larsen et al.	D12/410
D238,266 S *	12/1975	Dalton	D12/410
D241,331 S *	9/1976	Mattson et al.	D12/410
D258,650 S *	3/1981	Beaubien	D12/410
D259,780 S *	7/1981	Davidson	D12/410
D261,386 S *	10/1981	Beaubien	D12/410
D264,458 S *	5/1982	Vetter	D12/410
D276,712 S *	12/1984	Kashio	D12/410
D295,163 S *	4/1988	Erdman	D12/409

D308,191 S *	5/1990	Yamada	D12/410
D343,815 S *	2/1994	Kamata	D12/410
D454,532 S *	3/2002	Lourens	D12/410
D462,933 S *	9/2002	Itakura	D12/410
D470,097 S *	2/2003	Song	D12/410
D480,680 S *	10/2003	Yonai	D12/410
D492,243 S *	6/2004	Greene	D12/410
D545,073 S *	6/2007	Hanagan	D12/410
D600,459 S *	9/2009	Hanagan	D12/410
D622,209 S *	8/2010	Shimizugami	D12/409
D635,501 S *	4/2011	Salinas	D12/410
D654,845 S *	2/2012	Yonai	D12/409
D656,081 S *	3/2012	Yonai	D12/410
D670,230 S *	11/2012	Kataoka	D12/410
D685,717 S *	7/2013	Franklin	D12/410
D743,325 S *	11/2015	Seo	D12/410

(Continued)

Primary Examiner — Darlington Ly

(74) *Attorney, Agent, or Firm* — Birch, Stewart, Kolasch & Birch, LLP

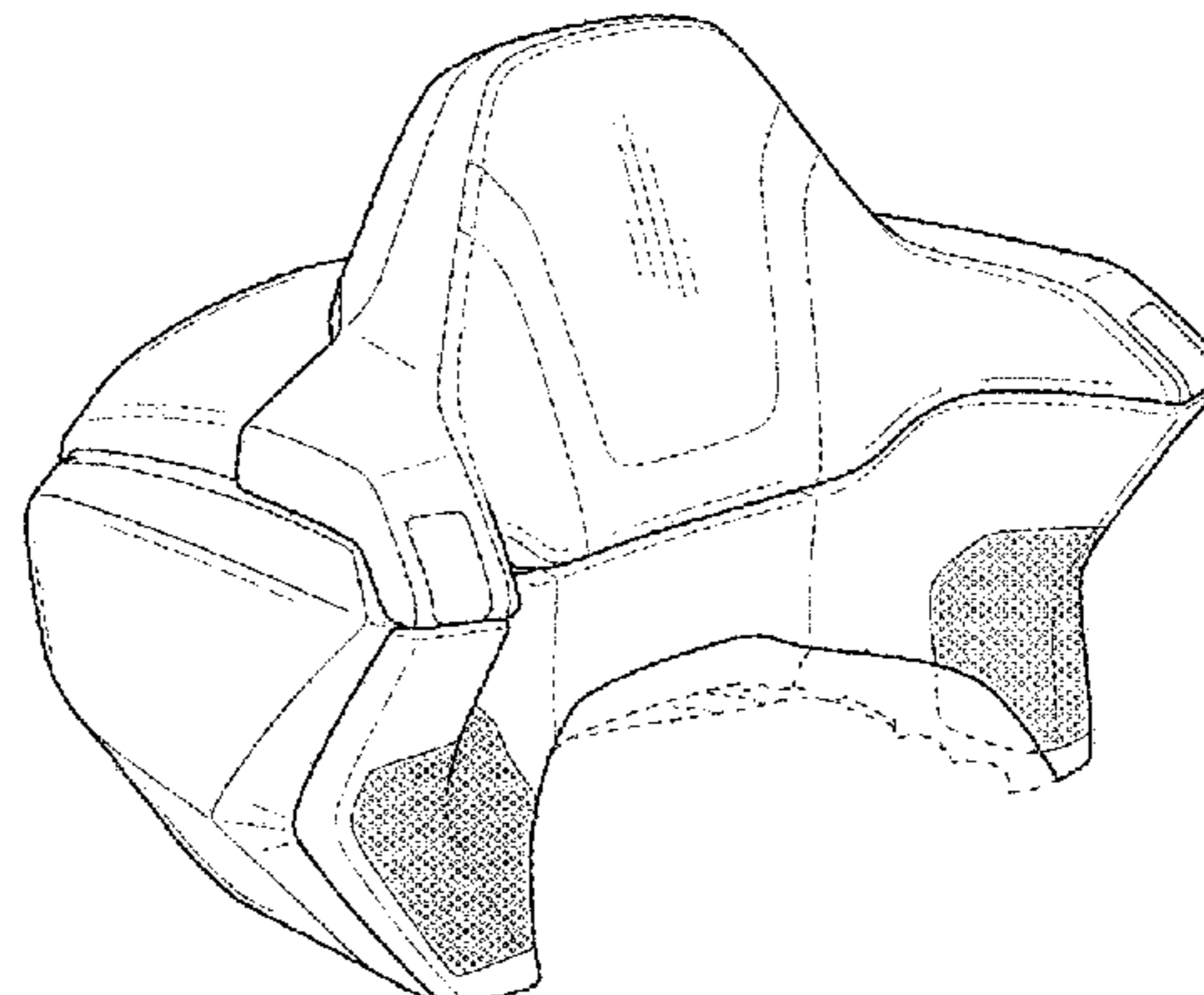
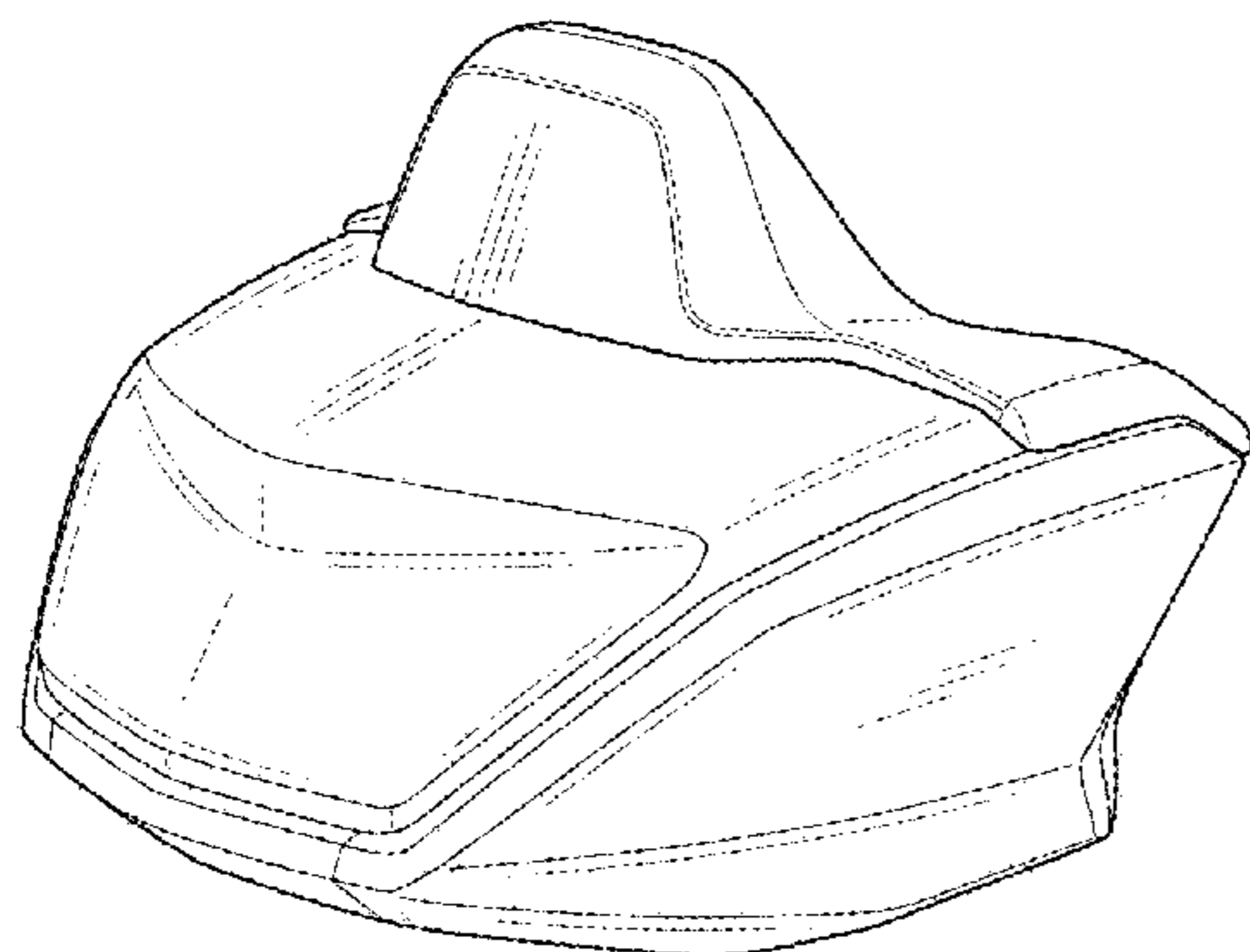
(57) **CLAIM**

The ornamental design for a storage box for motorcycle, as shown and described.

DESCRIPTION

FIG. 1 is a front and right side perspective view of a storage box for motorcycle showing our new design;
FIG. 2 is a front and left side perspective view thereof;
FIG. 3 is a rear and right side perspective view thereof;
FIG. 4 is a rear and left side perspective view thereof;
FIG. 5 is a front elevation view thereof;
FIG. 6 is a rear elevation view thereof;
FIG. 7 is a right side elevation view thereof;
FIG. 8 is a left side elevation view thereof;
FIG. 9 is a top plan view thereof; and,
FIG. 10 is a bottom plan view thereof.
The broken lines shown in the drawings illustrate portions of the storage box for motorcycle that form no part of the claimed design.

1 Claim, 10 Drawing Sheets



(56)

References Cited

U.S. PATENT DOCUMENTS

D784,015 S *	4/2017	Woodhouse	D3/276
D797,005 S *	9/2017	Tolson	D12/114
2002/0121534 A1 *	9/2002	Hanagan	B62J 9/001 224/423
2010/0012416 A1 *	1/2010	Chan	B62J 7/04 180/219
2012/0187167 A1 *	7/2012	Salisbury	B62J 7/04 224/413

* cited by examiner

FIG. 1

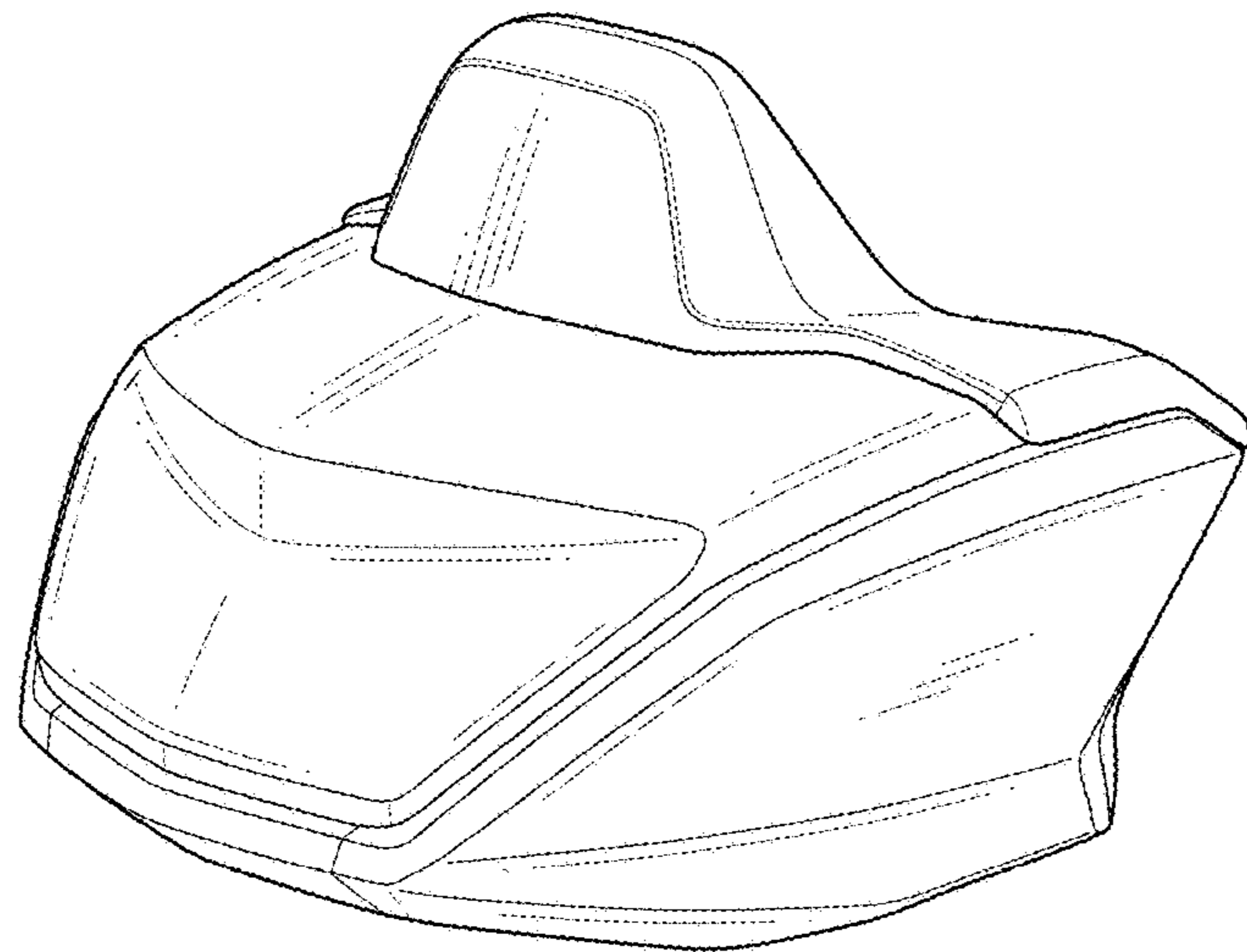


FIG. 2

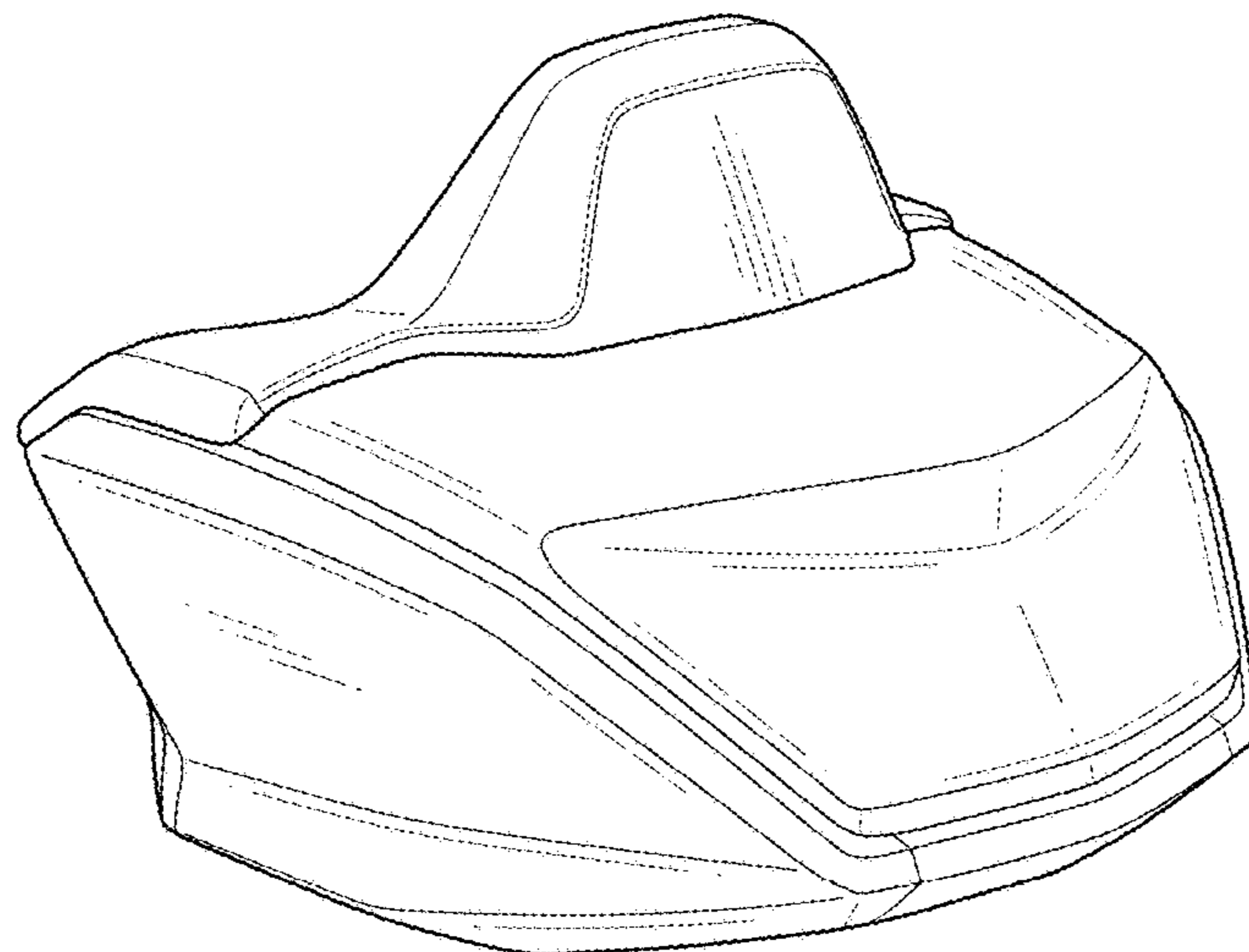


FIG. 3

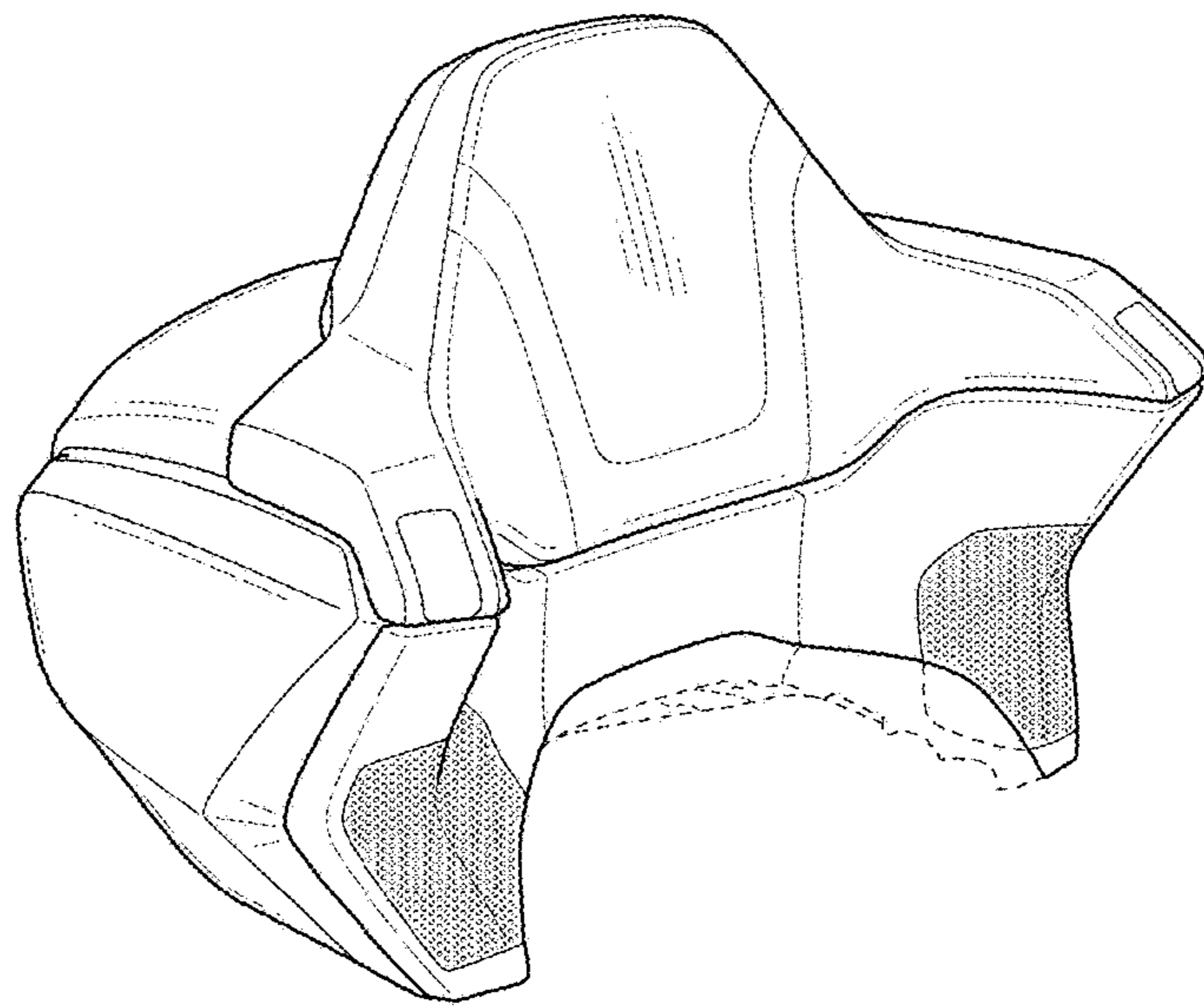


FIG. 4

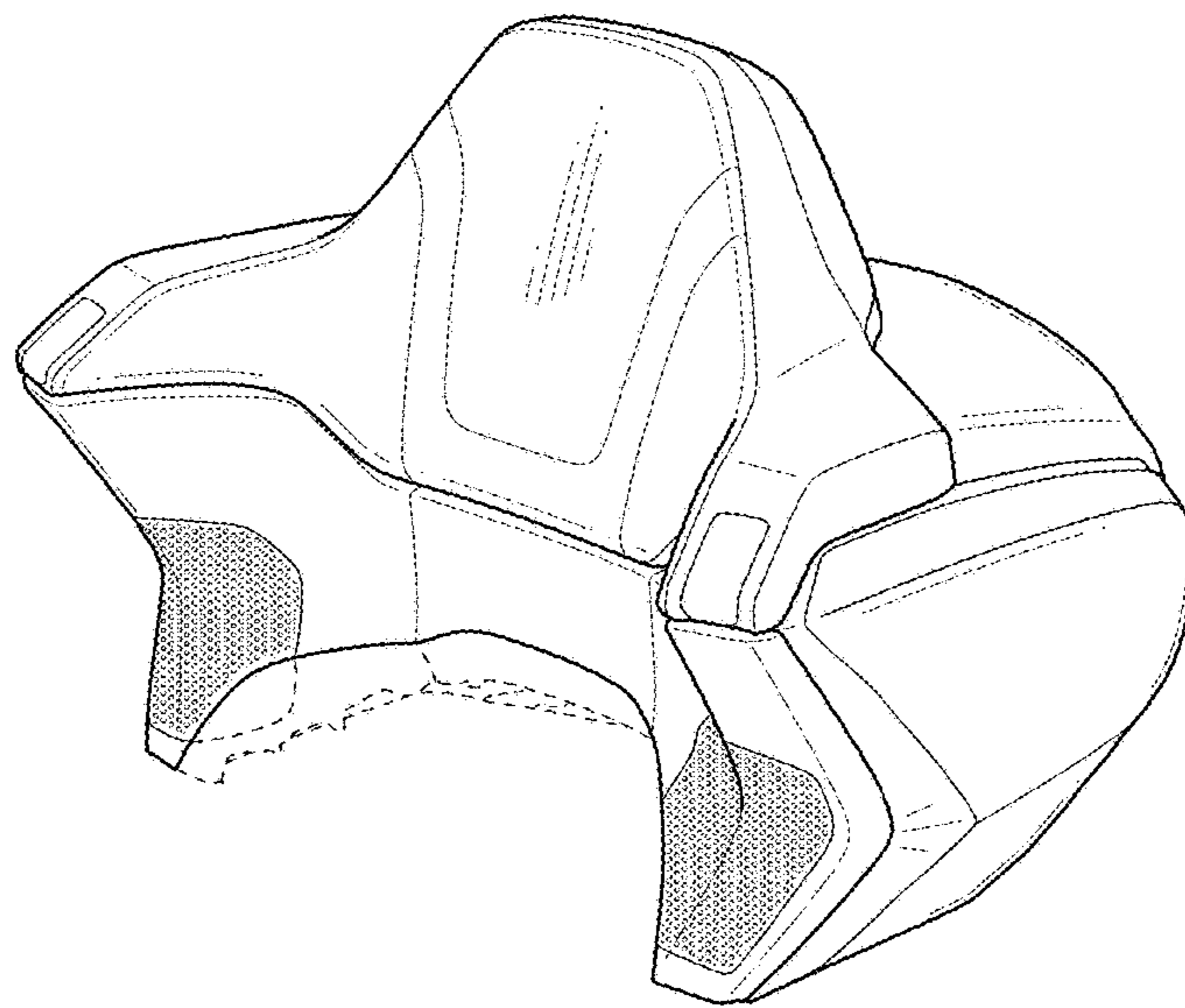


FIG. 5

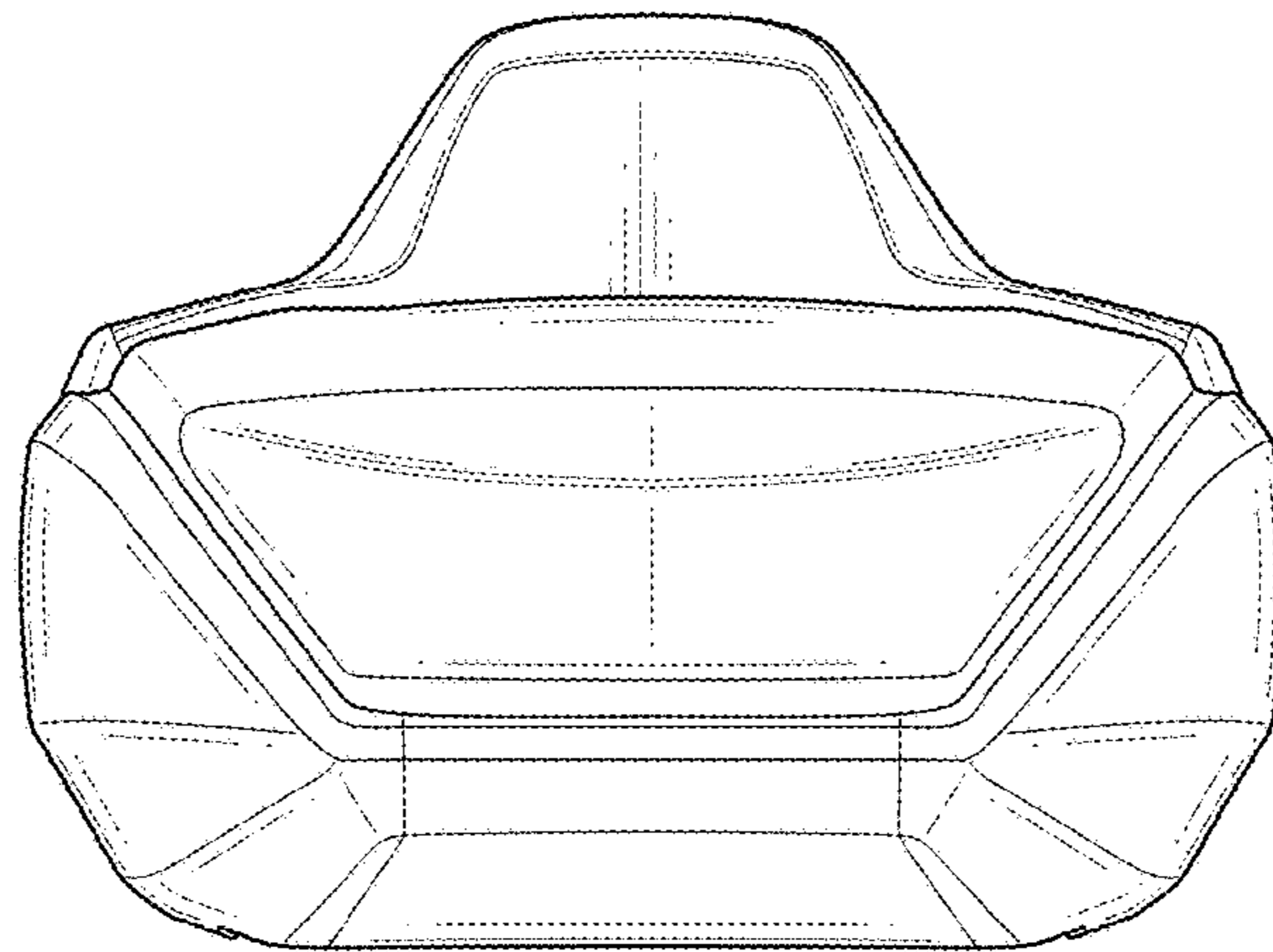


FIG. 6

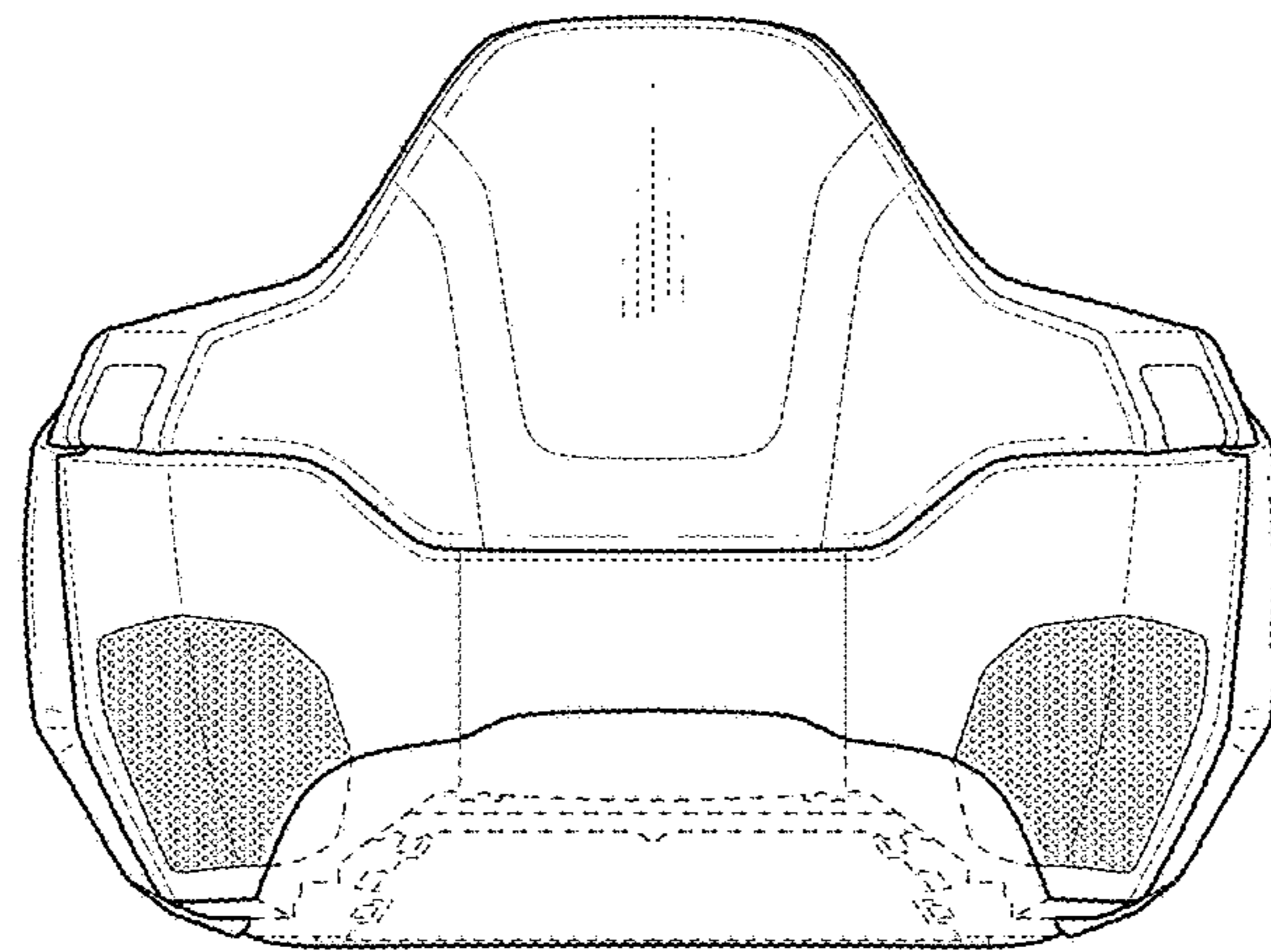


FIG. 7

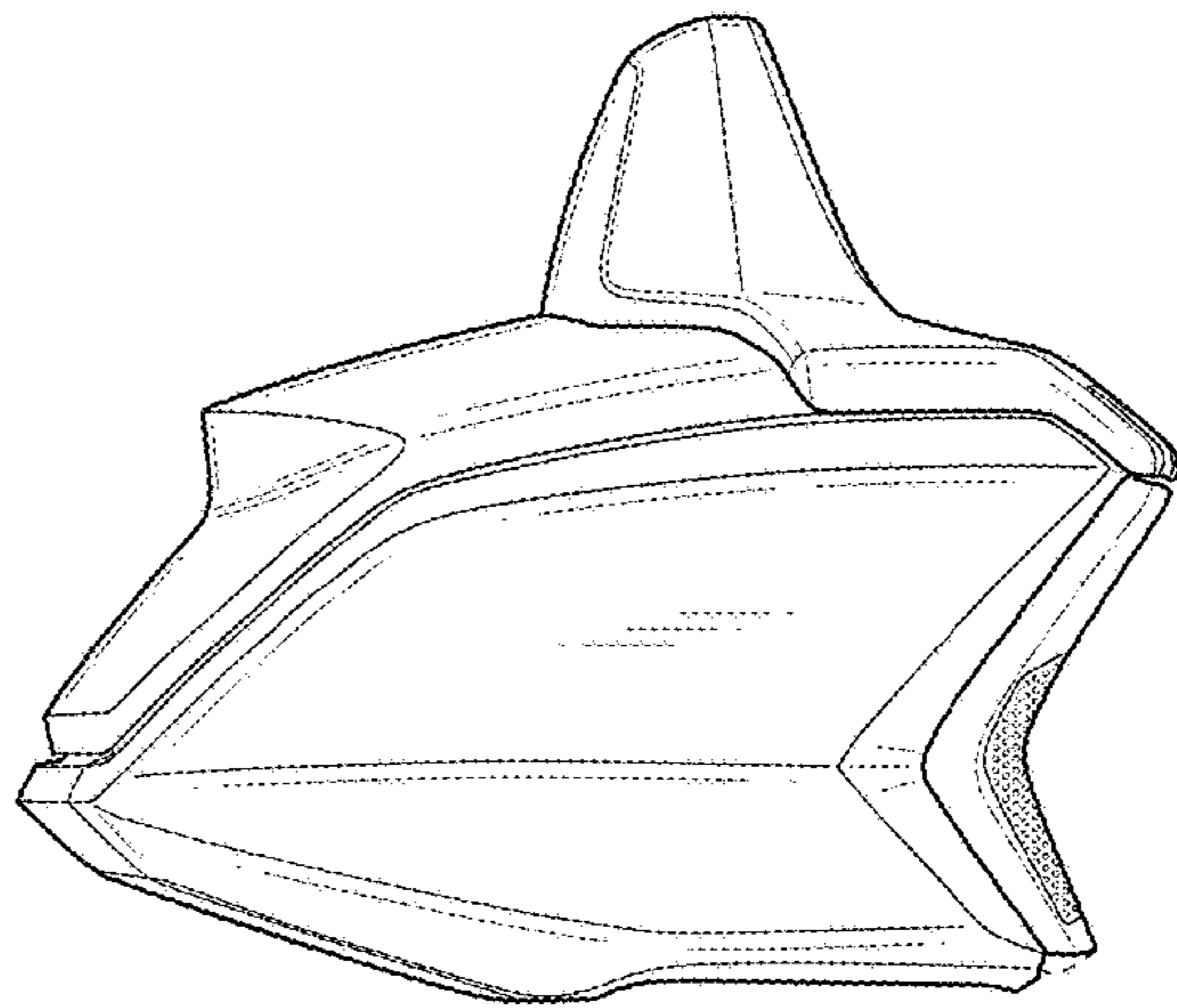


FIG. 8

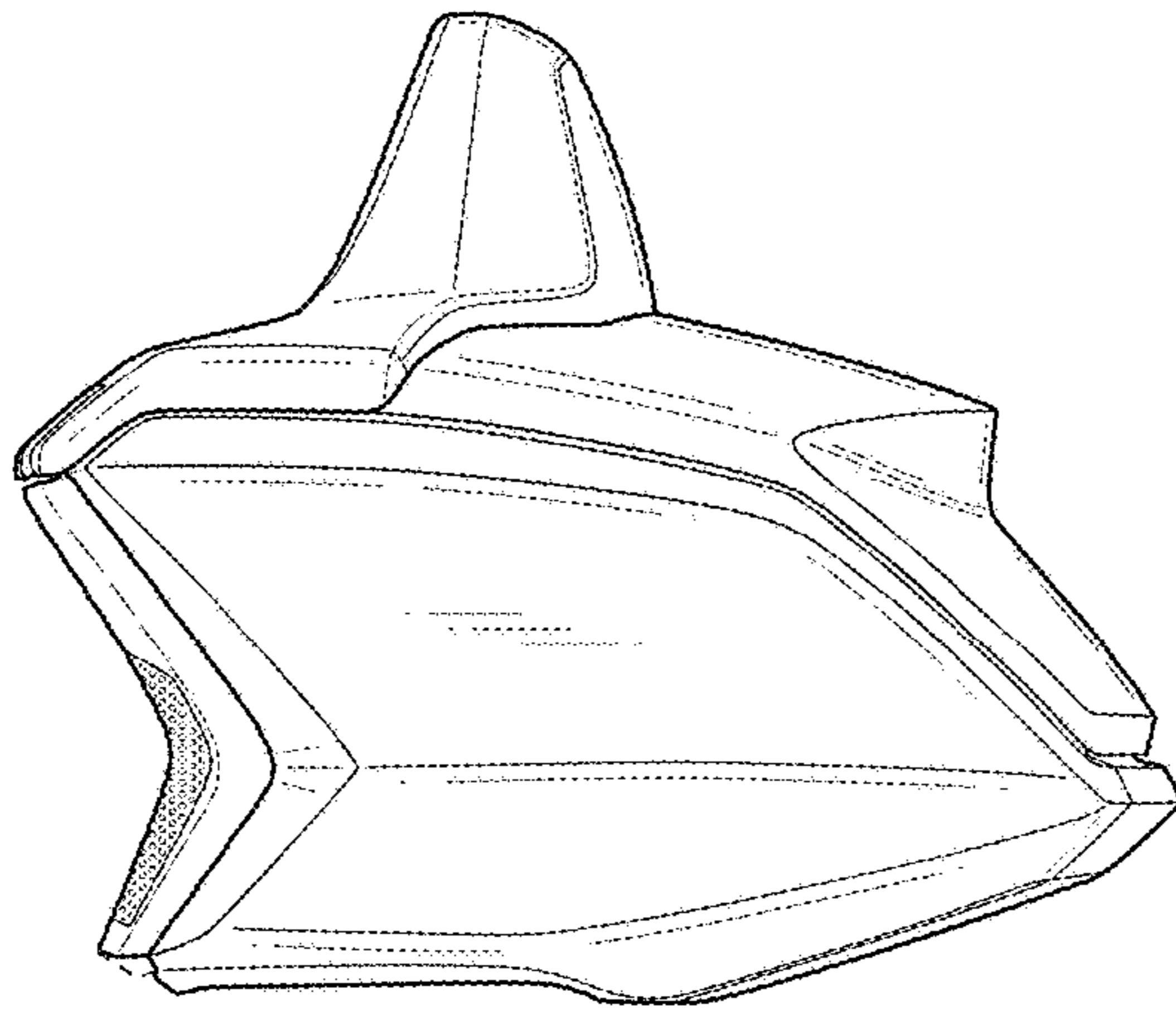


FIG. 9

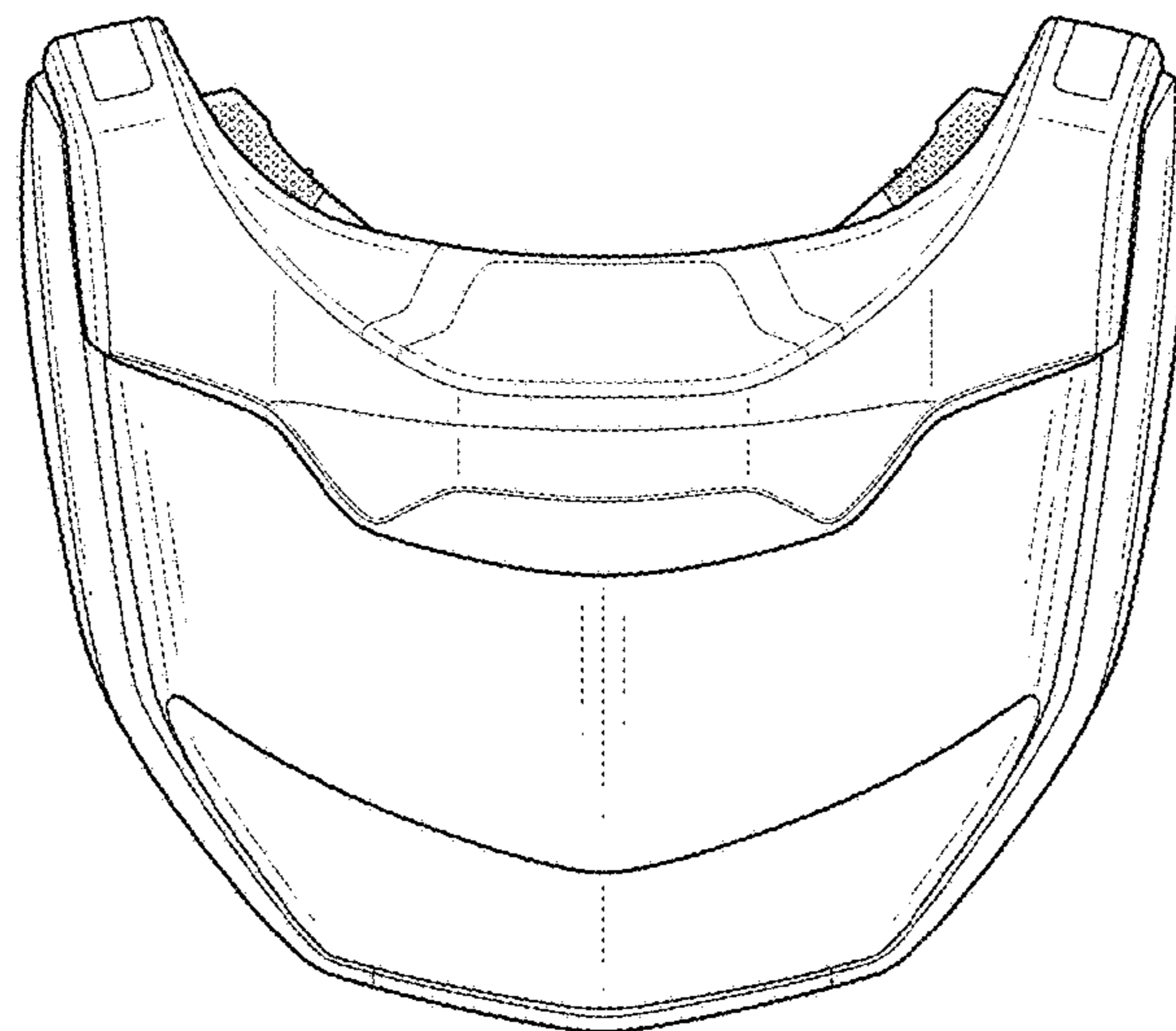


FIG. 10

