



US00D840322S

(12) **United States Design Patent** (10) **Patent No.:** **US D840,322 S**  
**Luyet et al.** (45) **Date of Patent:** **\*\* Feb. 12, 2019**

- (54) **BICYCLE STORAGE APPARATUS**
- (71) Applicant: **HIGHLAND PRODUCTS GROUP, LLC**, Chattanooga, TN (US)
- (72) Inventors: **Christopher J. Luyet**, Boca Raton, FL (US); **Christopher C. George**, Boca Raton, FL (US)
- (73) Assignee: **HIGHLAND PRODUCTS GROUP, LLC**, Chattanooga, TN (US)
- (\*\*) Term: **15 Years**
- (21) Appl. No.: **29/573,289**
- (22) Filed: **Aug. 4, 2016**
- (51) **LOC (11) Cl.** ..... **12-11**
- (52) **U.S. Cl.**  
USPC ..... **D12/407**
- (58) **Field of Classification Search**  
USPC ..... D12/115, 120, 402, 406, 407  
CPC .... B60R 9/06; B60R 9/10; B62H 3/00; B62H 3/04; B62H 3/06; B62H 3/10  
See application file for complete search history.

D497,873 S *	11/2004	Graber .....	B62H 3/00 D12/407
D502,127 S *	2/2005	Pappas .....	B62H 3/08 D12/115
D585,793 S *	2/2009	Skalka .....	B62H 3/08 D12/115
D602,403 S *	10/2009	Shaha .....	D12/115
D604,206 S *	11/2009	Selzer .....	D12/115
D604,207 S *	11/2009	Selzer .....	D12/115
D605,093 S *	12/2009	Lohr .....	D12/115
D620,845 S *	8/2010	Scholtz .....	D12/115
D710,783 S *	8/2014	Behar .....	D12/407
D737,196 S *	8/2015	Pappas .....	D12/407
D749,013 S *	2/2016	Bauer .....	D12/115
D759,570 S *	6/2016	Pappas .....	D12/407
D774,422 S *	12/2016	Greenblatt .....	D12/115

\* cited by examiner

*Primary Examiner* — Michelle E. Wilson  
*Assistant Examiner* — Clese Moore, Jr.  
(74) *Attorney, Agent, or Firm* — McAndrews, Held & Malloy, Ltd.

(57) **CLAIM**

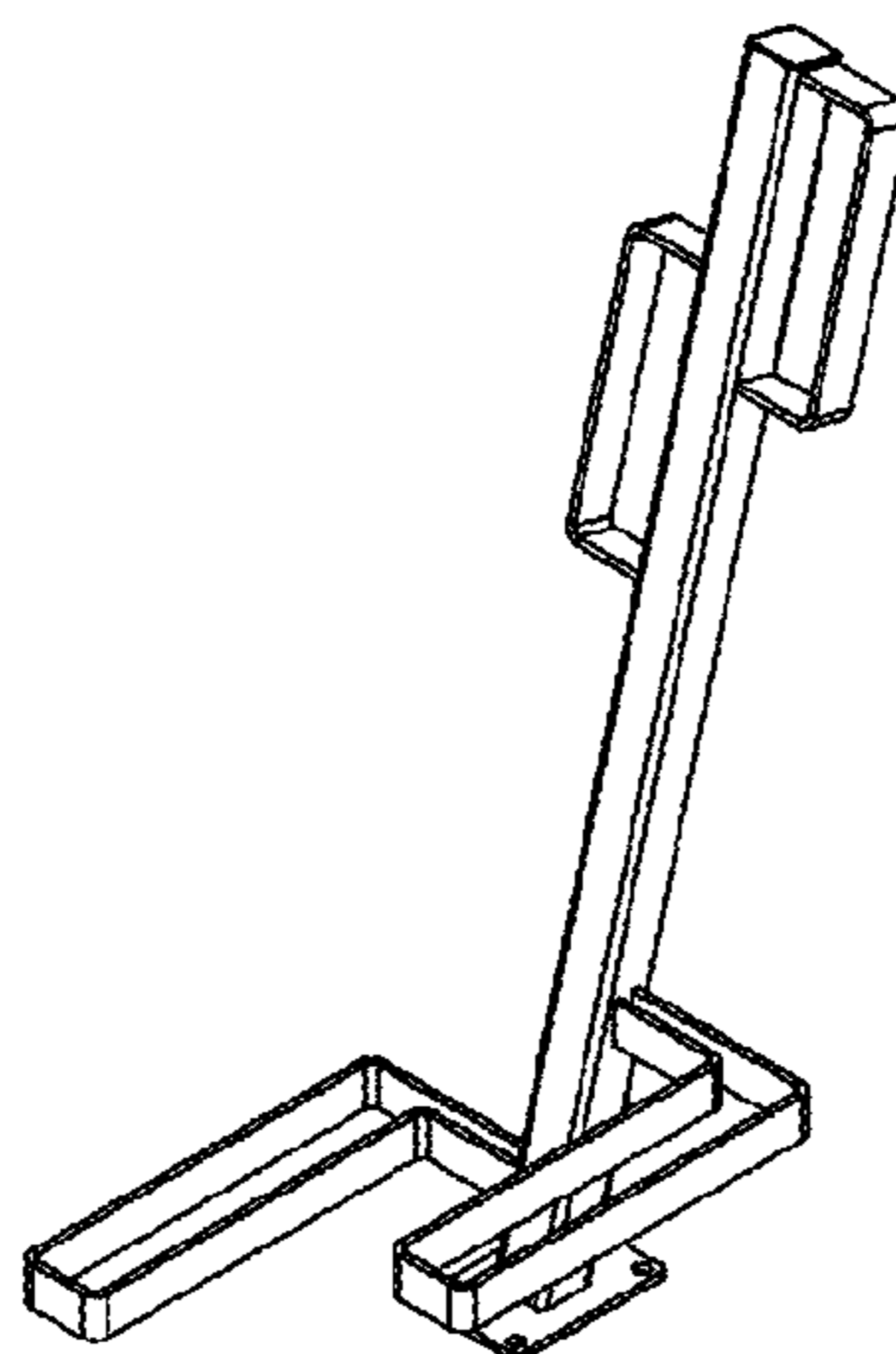
The ornamental design for a bicycle storage apparatus, as shown and described.

**DESCRIPTION**

FIG. 1 is a front, right side perspective view of a first embodiment of a bicycle storage apparatus showing our new design;  
FIG. 2 is a top plan view thereof;  
FIG. 3 is a front elevational view thereof;  
FIG. 4 is a rear elevational view thereof;  
FIG. 5 is a right side elevational view thereof; and,  
FIG. 6 is a left side elevational view thereof.

**1 Claim, 1 Drawing Sheet**

- (56) **References Cited**
- U.S. PATENT DOCUMENTS
- |               |         |                  |                     |
|---------------|---------|------------------|---------------------|
| D263,945 S *  | 4/1982  | Voegeli .....    | D12/115             |
| D295,030 S *  | 4/1988  | Wahl .....       | D12/115             |
| D302,803 S *  | 8/1989  | Villanueva ..... | D12/115             |
| D391,902 S *  | 3/1998  | Pappas .....     | D12/115             |
| D391,903 S *  | 3/1998  | Pappas .....     | D12/115             |
| D409,134 S *  | 5/1999  | Will .....       | D12/407             |
| 5,992,645 A * | 11/1999 | West .....       | B62H 3/04<br>211/19 |
| D480,025 S *  | 9/2003  | Denney .....     | D12/115             |



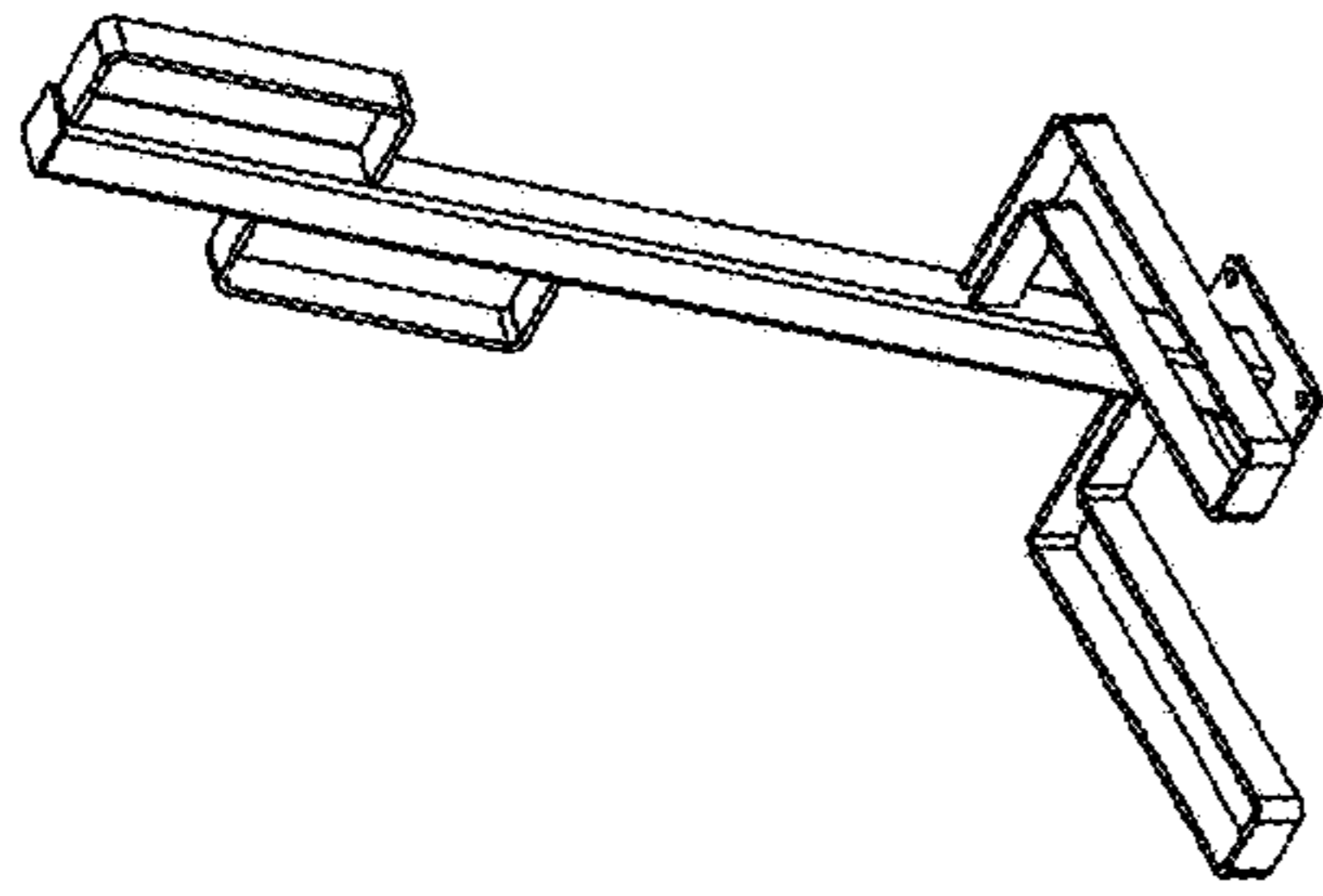


FIG 1

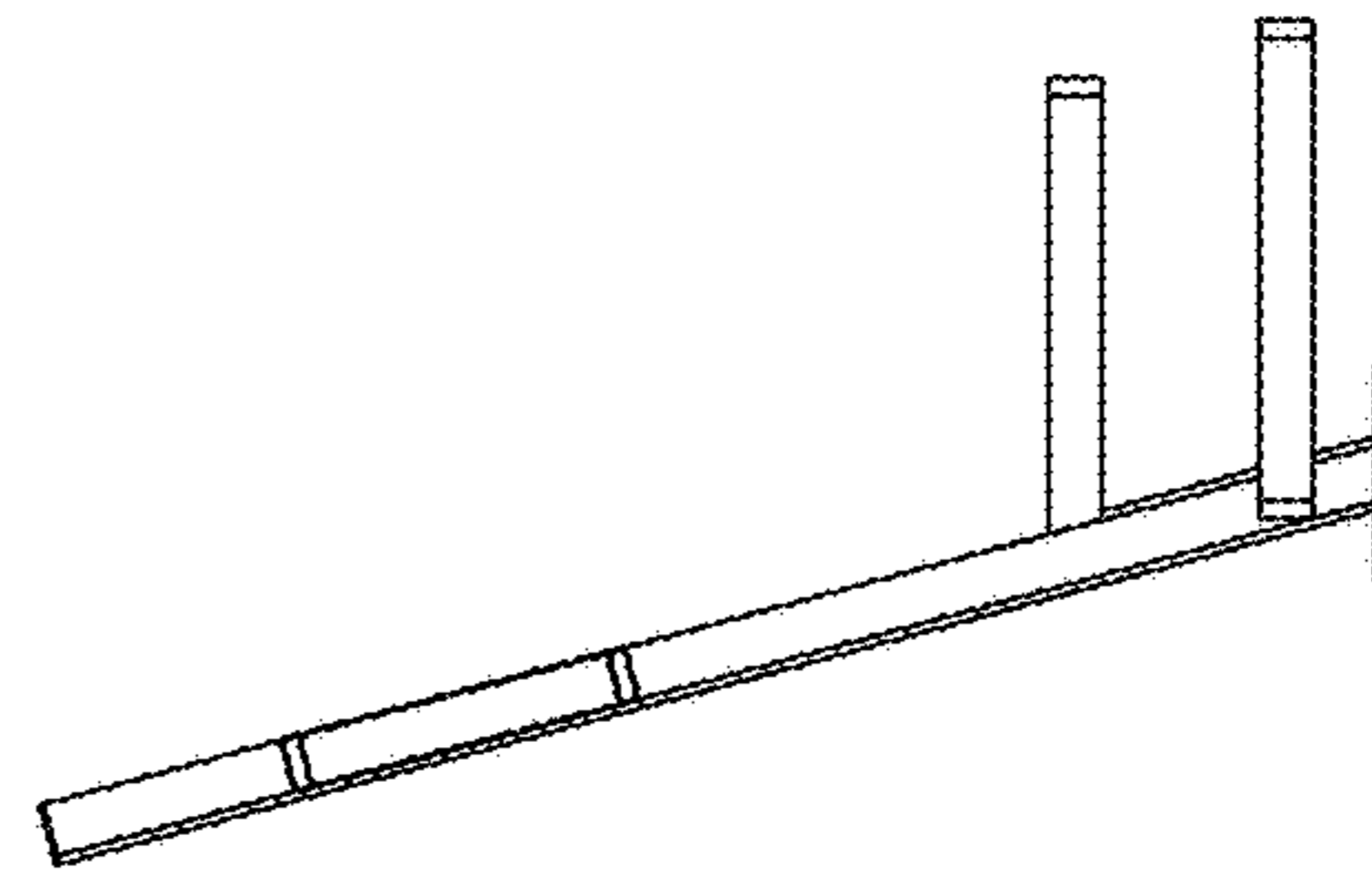


FIG 6

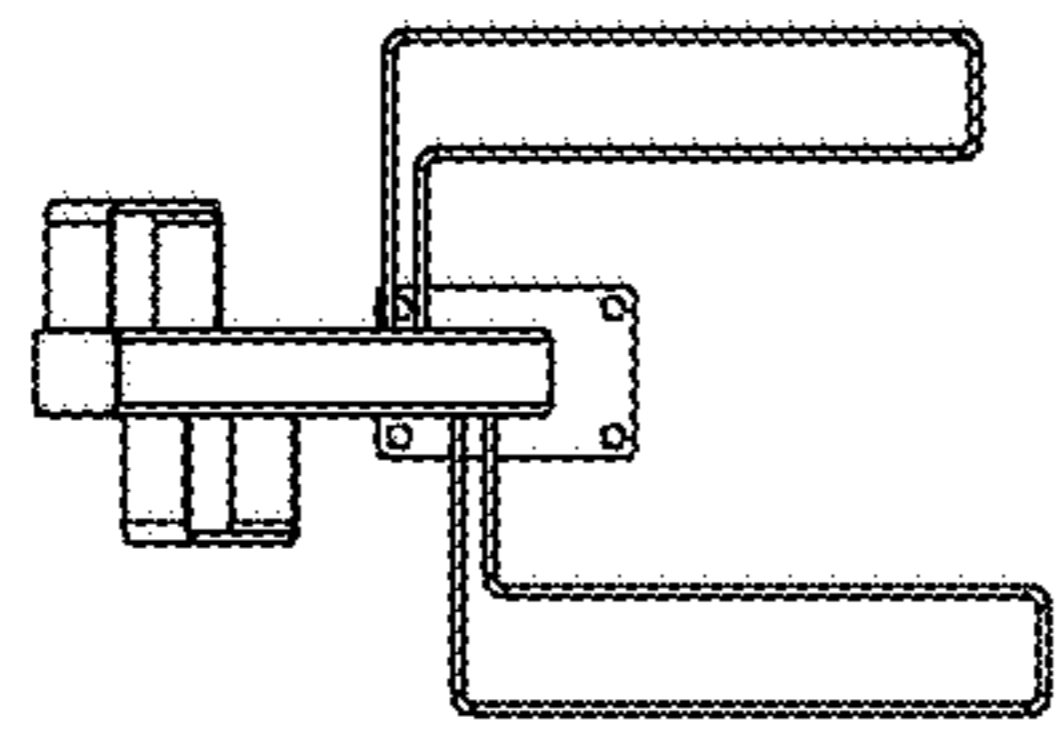


FIG 2

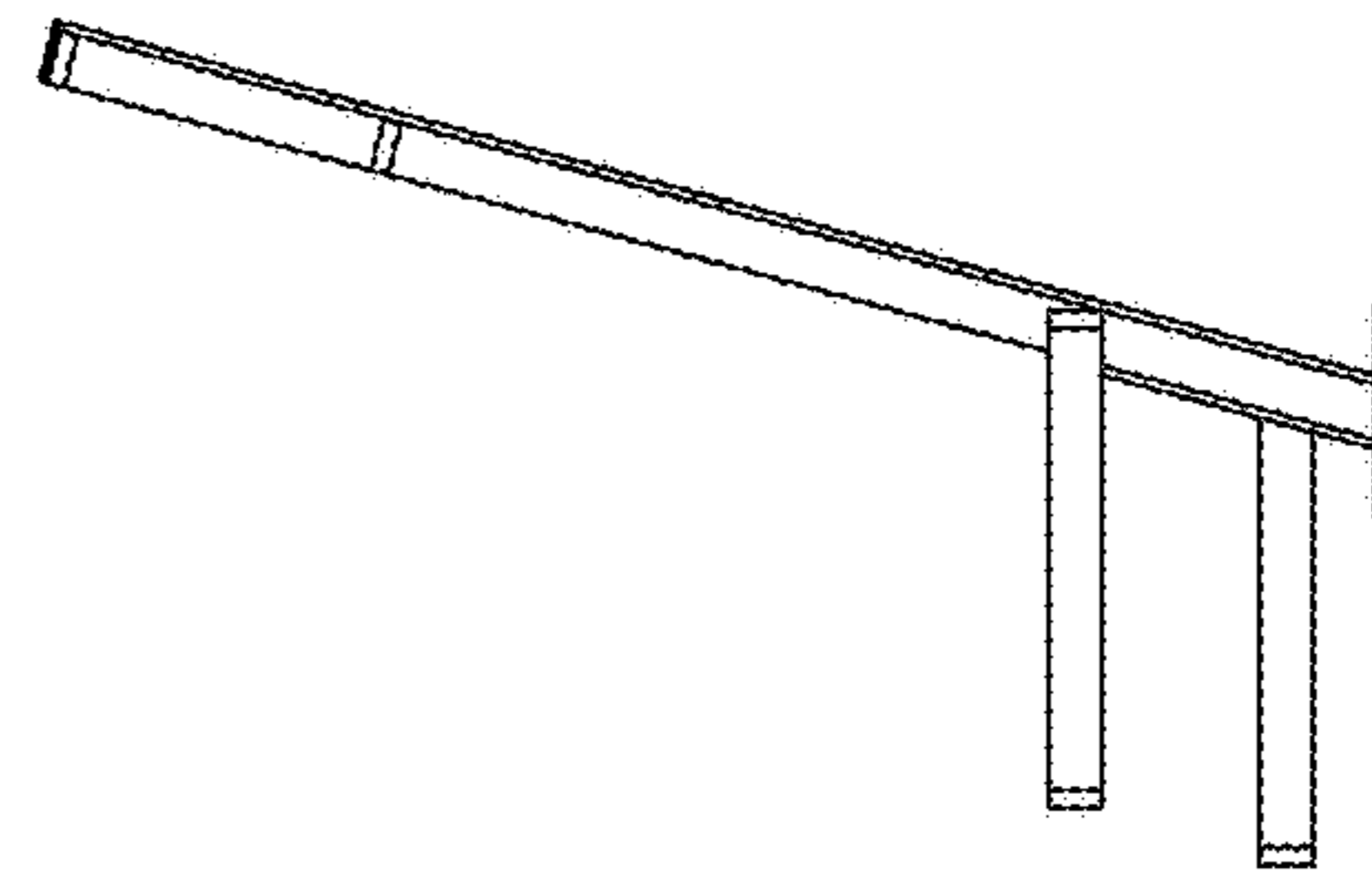


FIG 5

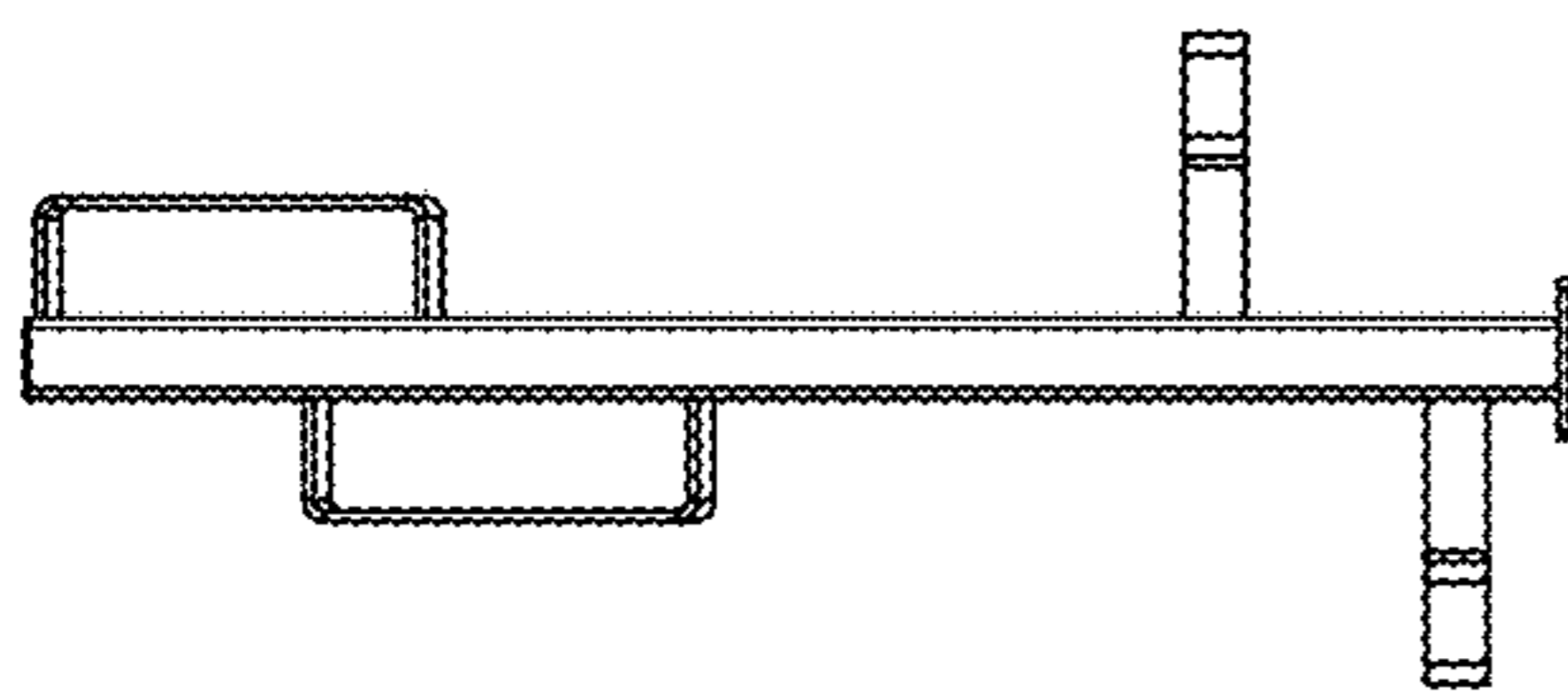


FIG 3

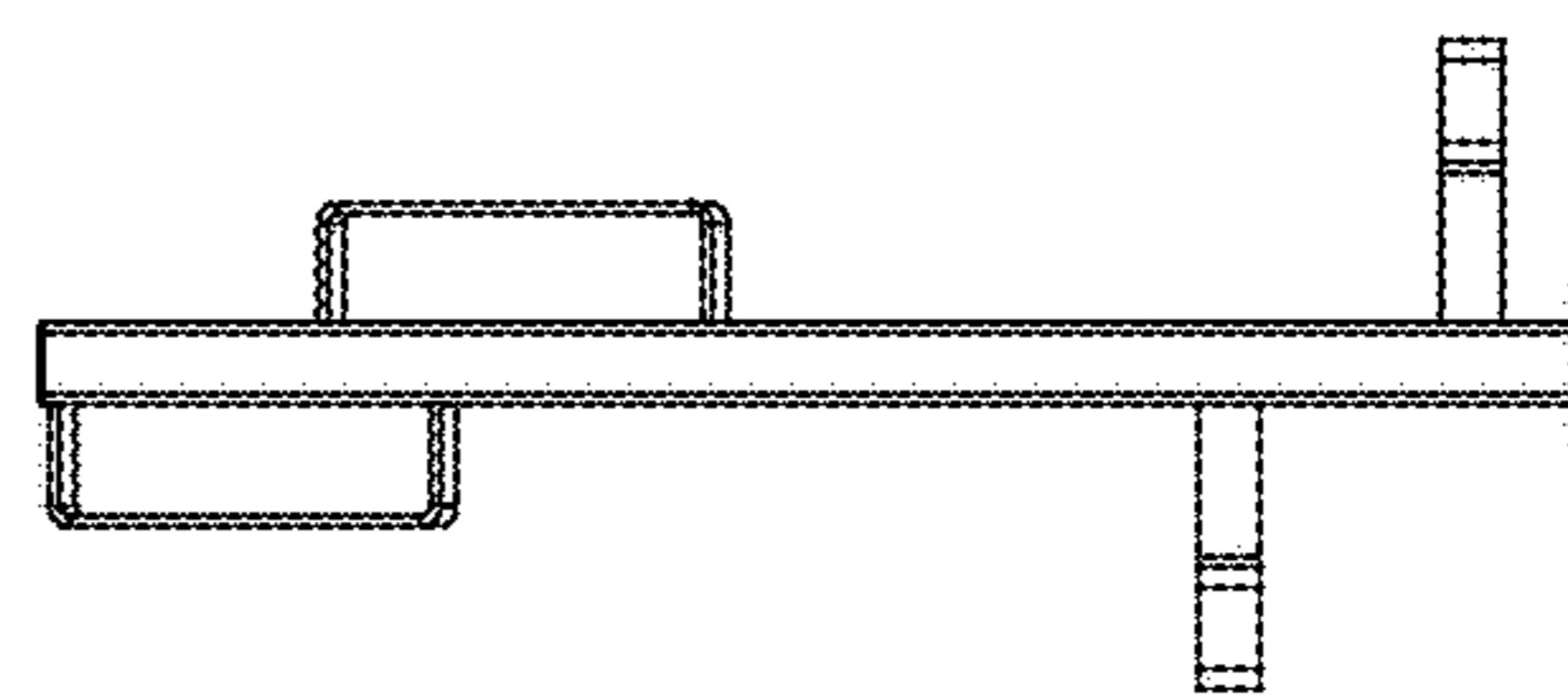


FIG 4