

US00D840319S

(12) **United States Design Patent**  
**Wheel**

(10) **Patent No.:** **US D840,319 S**

(45) **Date of Patent:** **\*\* Feb. 12, 2019**

(54) **WHEEL**

(71) Applicant: **Jaguar Land Rover Limited**, Whitley,  
Coventry (GB)

(72) Inventor: **Andrew Wheel**, Coventry (GB)

(73) Assignee: **Jaguar Land Rover Limited**, Whitley,  
Coventry (GB)

(\*\*) Term: **15 Years**

(21) Appl. No.: **29/649,317**

(22) Filed: **May 29, 2018**

**Related U.S. Application Data**

(62) Division of application No. 29/591,473, filed on Jan.  
20, 2017, now Pat. No. Des. 821,951.

(30) **Foreign Application Priority Data**

Aug. 18, 2016 (EM) ..... 003345347-0002  
Aug. 18, 2016 (EM) ..... 003345347-0004  
Dec. 2, 2016 (EM) ..... 003496942-0005

(51) **LOC (11) Cl.** ..... **12-16**

(52) **U.S. Cl.**  
USPC ..... **D12/209**

(58) **Field of Classification Search**

USPC ..... D12/204–213  
CPC .... B60B 7/00; B60B 7/02; B60B 7/04; B60B  
7/06; B60B 3/02; B60B 3/04; B60B 3/06;  
B60B 3/10

See application file for complete search history.

(56) **References Cited**

**U.S. PATENT DOCUMENTS**

D576,536 S \* 9/2008 Aroney ..... D12/209  
D655,657 S \* 3/2012 Juergens ..... D12/209  
D707,165 S \* 6/2014 Wheel ..... D12/209

D727,822 S \* 4/2015 Wheel ..... D12/209  
D734,233 S \* 7/2015 Wheel ..... D12/209  
D740,734 S \* 10/2015 Wheel ..... D12/209  
D791,670 S \* 7/2017 Valencia Pollex ..... D12/209  
D815,009 S \* 4/2018 Valencia Pollex ..... D12/209  
D826,126 S \* 8/2018 Valencia Pollex ..... D12/209

\* cited by examiner

*Primary Examiner* — Sheryl Lane

*Assistant Examiner* — Calvin E Vansant

(74) *Attorney, Agent, or Firm* — Wood Herron & Evans  
LLP

(57) **CLAIM**

The ornamental design for a wheel, as shown and described.

**DESCRIPTION**

FIG. 1 is a front left perspective view of a wheel for a vehicle  
according to the present invention.

FIG. 2 is a front right perspective view thereof.

FIG. 3 is a front view thereof.

FIG. 4 is a left side view thereof, the right side view being  
a mirror image thereof.

FIG. 5 is a rear left perspective view thereof.

FIG. 6 is a rear right perspective view thereof.

FIG. 7 is a rear view thereof.

FIG. 8 is a front left perspective view of a wheel for a vehicle  
according to an alternative embodiment of the present  
invention.

FIG. 9 is a front right perspective view of the wheel shown  
in FIG. 8.

FIG. 10 is a front view thereof.

FIG. 11 is a left side view thereof, the right side view being  
a mirror image thereof.

FIG. 12 is a rear left perspective view thereof.

FIG. 13 is a rear right perspective view thereof; and,

FIG. 14 is a rear view thereof.

The broken lines depict portions of the wheel that form no  
part of the claim.

**1 Claim, 10 Drawing Sheets**

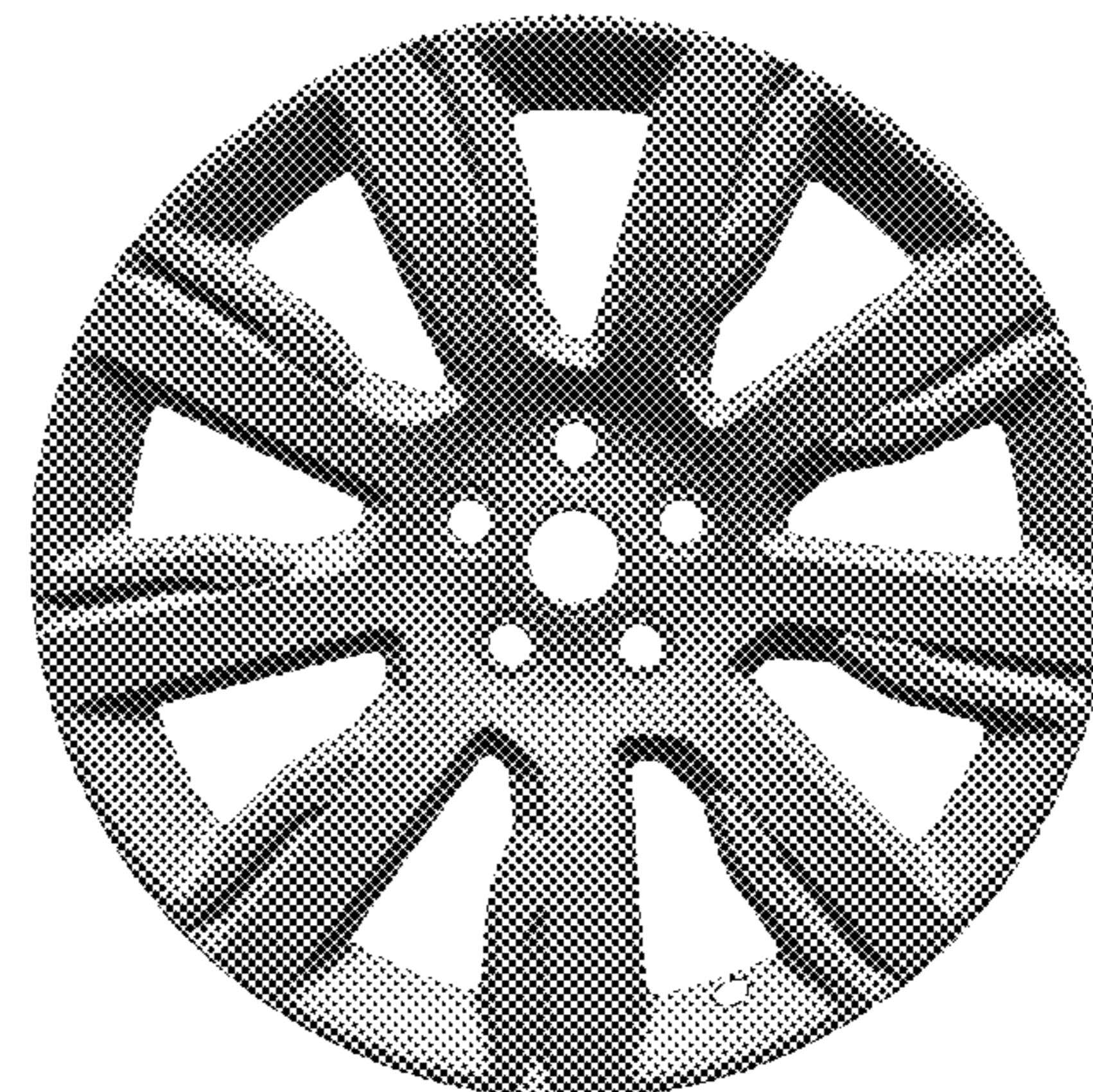




FIG. 1



FIG. 2



FIG. 3

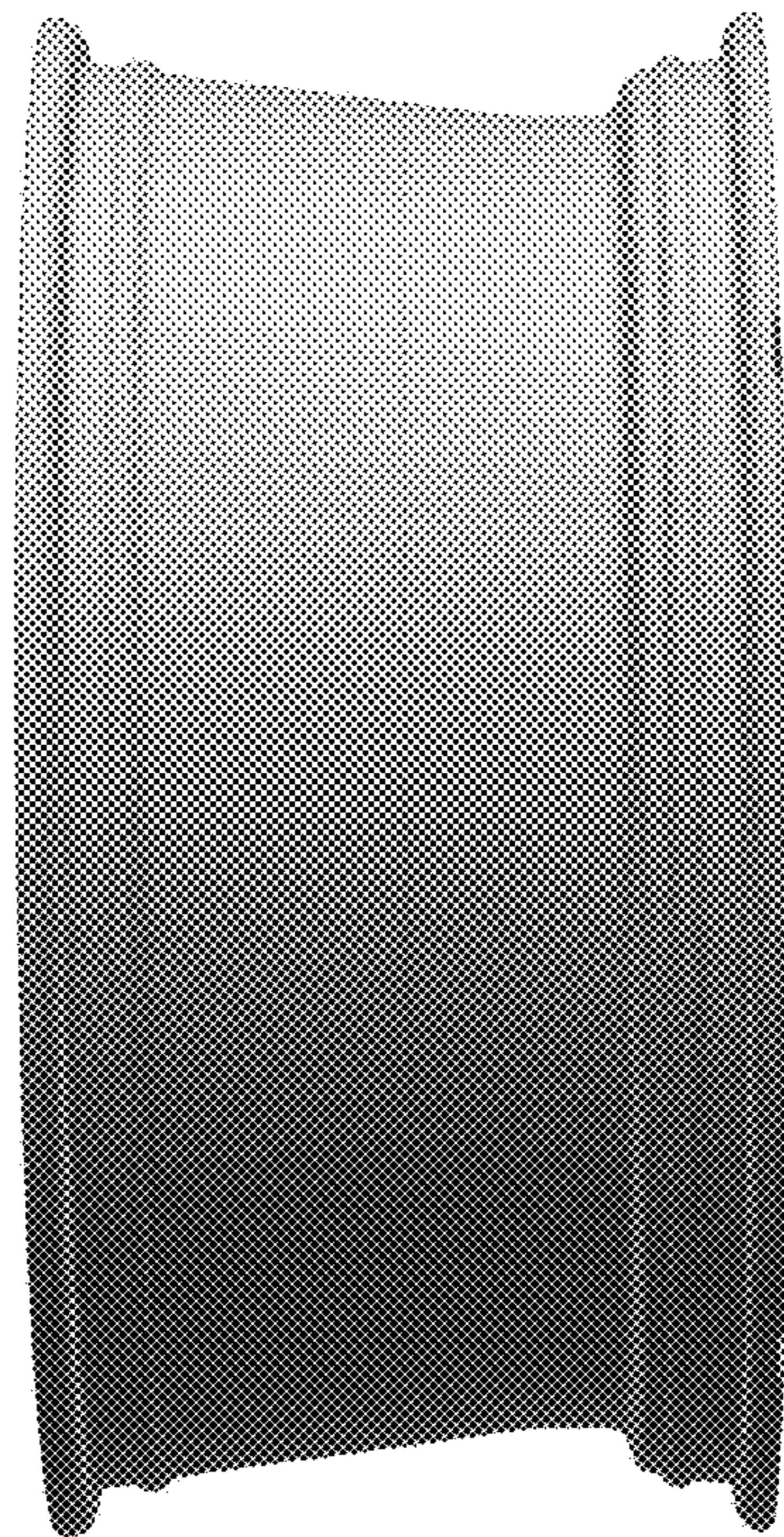


FIG. 4



FIG. 5

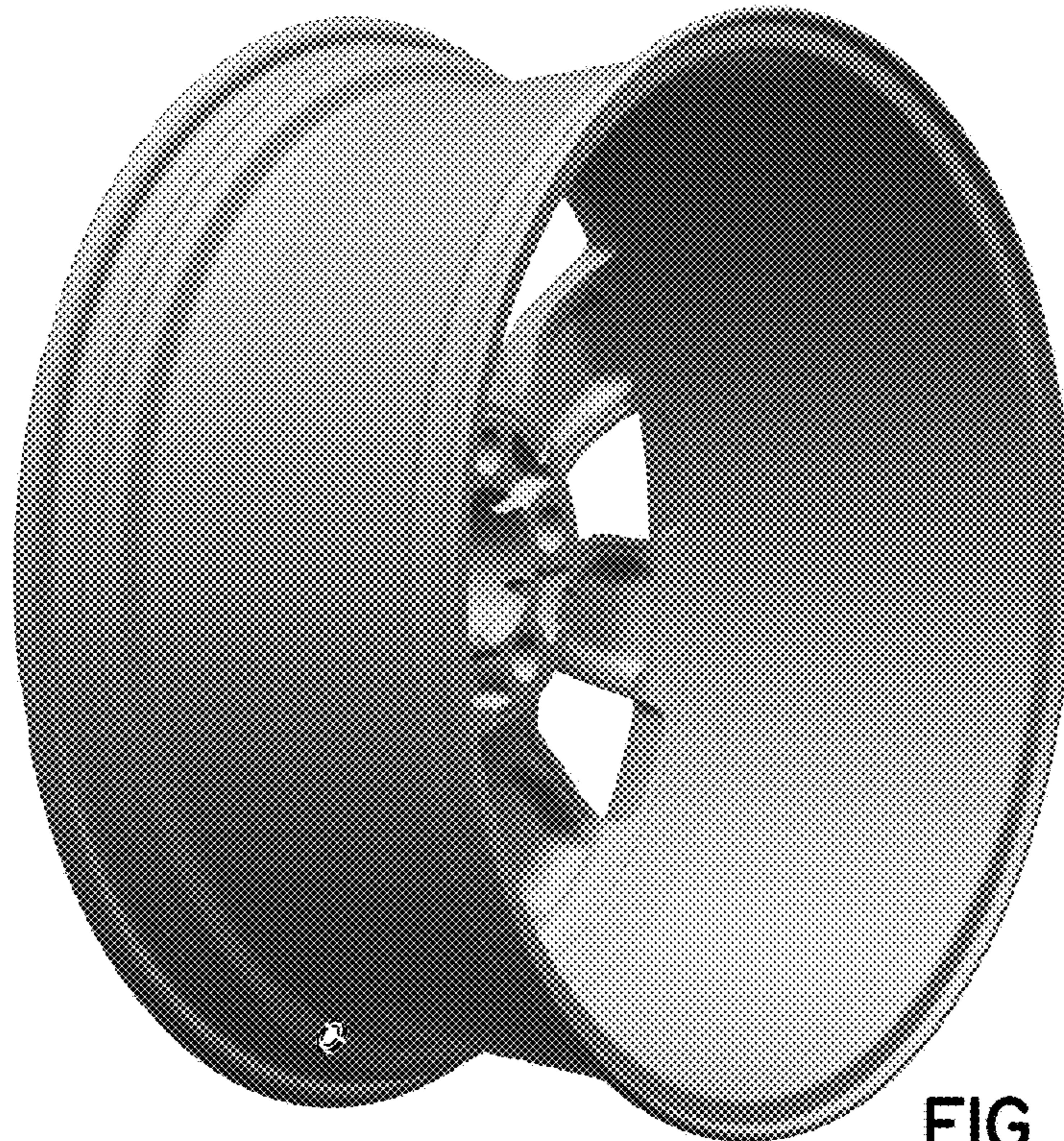


FIG. 6



FIG. 7



FIG. 8



FIG. 9





FIG. 10

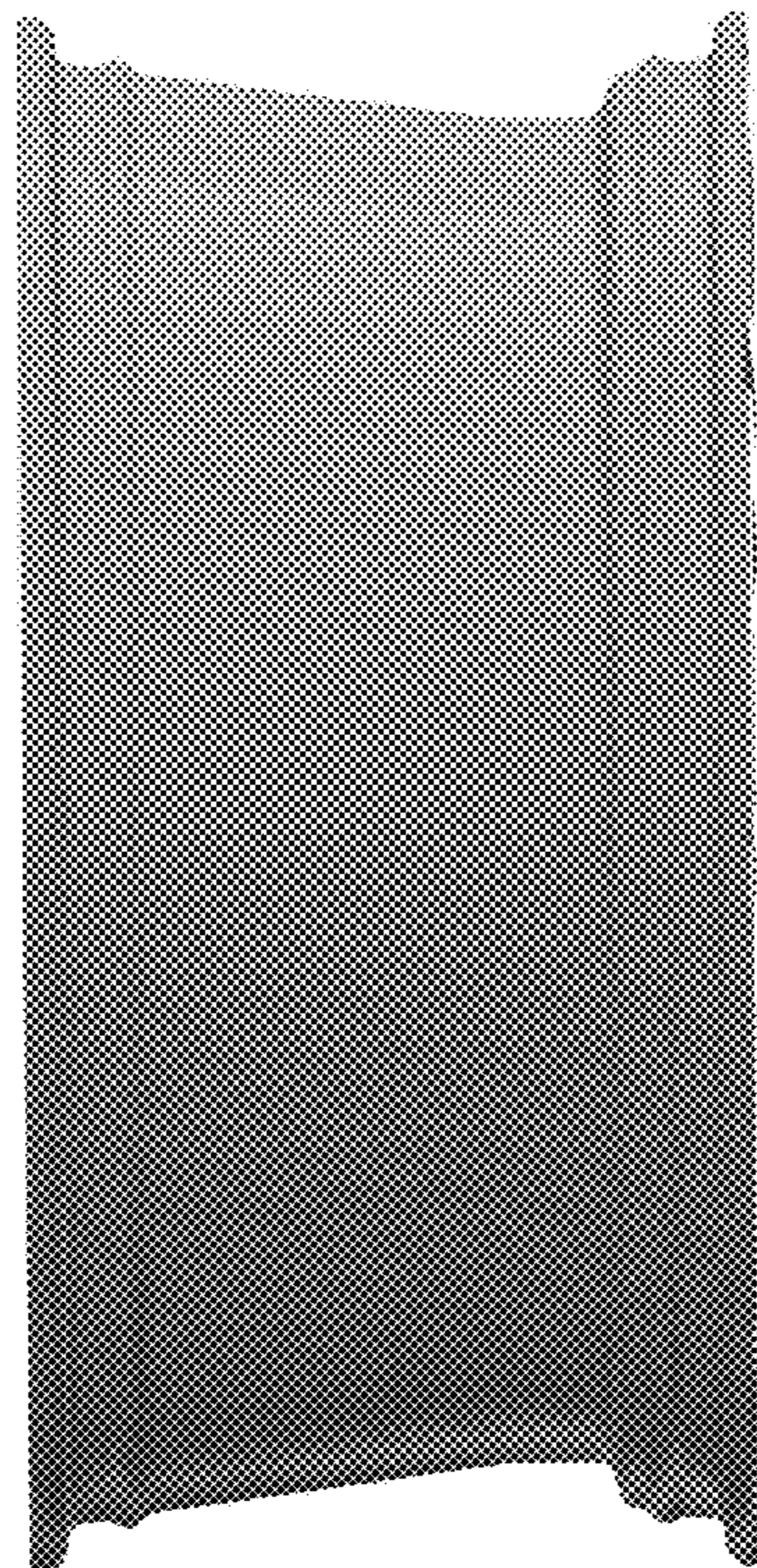


FIG. 11



FIG. 12



FIG. 13



FIG. 14