



US00D840318S

(12) **United States Design Patent** (10) **Patent No.:** **US D840,318 S**
Austin (45) **Date of Patent:** **** Feb. 12, 2019**

(54) **WHEEL**

(71) Applicant: **Jaguar Land Rover Limited**, Whitley, Coventry (GB)

(72) Inventor: **Robin Austin**, Coventry (GB)

(73) Assignee: **Jaguar Land Rover Limited**, Whitley, Coventry (GB)

(**) Term: **15 Years**

(21) Appl. No.: **29/648,121**

(22) Filed: **May 18, 2018**

Related U.S. Application Data

(62) Division of application No. 29/591,232, filed on Jan. 18, 2017, now Pat. No. Des. 820,758.

(30) **Foreign Application Priority Data**

Aug. 18, 2016 (EM) 003345347-0005
Aug. 18, 2016 (EM) 003345347-0006
Aug. 18, 2016 (EM) 003345347-0007

(51) **LOC (11) Cl.** **12-16**

(52) **U.S. Cl.**
USPC **D12/209**

(58) **Field of Classification Search**
USPC D12/204–213

(Continued)

(56) **References Cited**

U.S. PATENT DOCUMENTS

D671,060 S * 11/2012 Baum D12/209
D697,858 S * 1/2014 Kito D12/209

(Continued)

Primary Examiner — Sheryl Lane

Assistant Examiner — Calvin E Vansant

(74) *Attorney, Agent, or Firm* — Wood Herron & Evans LLP

(57) **CLAIM**

The ornamental design for a wheel, as shown and described.

DESCRIPTION

FIG. 1 is a front left perspective view of a wheel for a vehicle according to the present invention.

FIG. 2 is a front right perspective view thereof.

FIG. 3 is a front view thereof.

FIG. 4 is a left side view thereof.

FIG. 5 is a right side view thereof.

FIG. 6 is a rear view thereof.

FIG. 7 is a rear right perspective view thereof.

FIG. 8 is a rear left perspective view thereof.

FIG. 9 is a front left perspective view of a wheel for a vehicle according to an alternative embodiment of the present invention.

FIG. 10 is a front right perspective view thereof.

FIG. 11 is a front view thereof.

FIG. 12 is a left side view thereof.

FIG. 13 is a right side view thereof.

FIG. 14 is a rear view thereof.

FIG. 15 is a rear right perspective view thereof.

FIG. 16 is a rear left perspective view thereof.

FIG. 17 is a front left perspective view of a wheel for a vehicle according to a second alternative embodiment of the present invention.

FIG. 18 is a front right perspective view thereof.

FIG. 19 is a front view thereof.

FIG. 20 is a left side view thereof.

FIG. 21 is a right side view thereof.

FIG. 22 is a rear view thereof.

FIG. 23 is a rear right perspective view thereof; and,

FIG. 24 is a rear left perspective view thereof.

The broken lines depict portions of the wheel that form no part of the claim.

1 Claim, 18 Drawing Sheets



(58) **Field of Classification Search**

CPC B60B 7/00; B60B 7/02; B60B 7/04; B60B
7/06; B60B 3/02; B60B 3/04; B60B 3/06;
B60B 3/10

See application file for complete search history.

(56) **References Cited**

U.S. PATENT DOCUMENTS

D770,352	S	*	11/2016	Sze	D12/209
D774,438	S	*	12/2016	Valencia Pollex	D12/209
D790,424	S	*	6/2017	Valencia Pollex	D12/209
D790,426	S	*	6/2017	Valencia Pollex	D12/209
D795,777	S	*	8/2017	Valencia Pollex	D12/211
D801,252	S	*	10/2017	McMath	D12/209
D808,322	S	*	1/2018	Sempek	D12/209

* cited by examiner



FIG. 1



FIG. 2

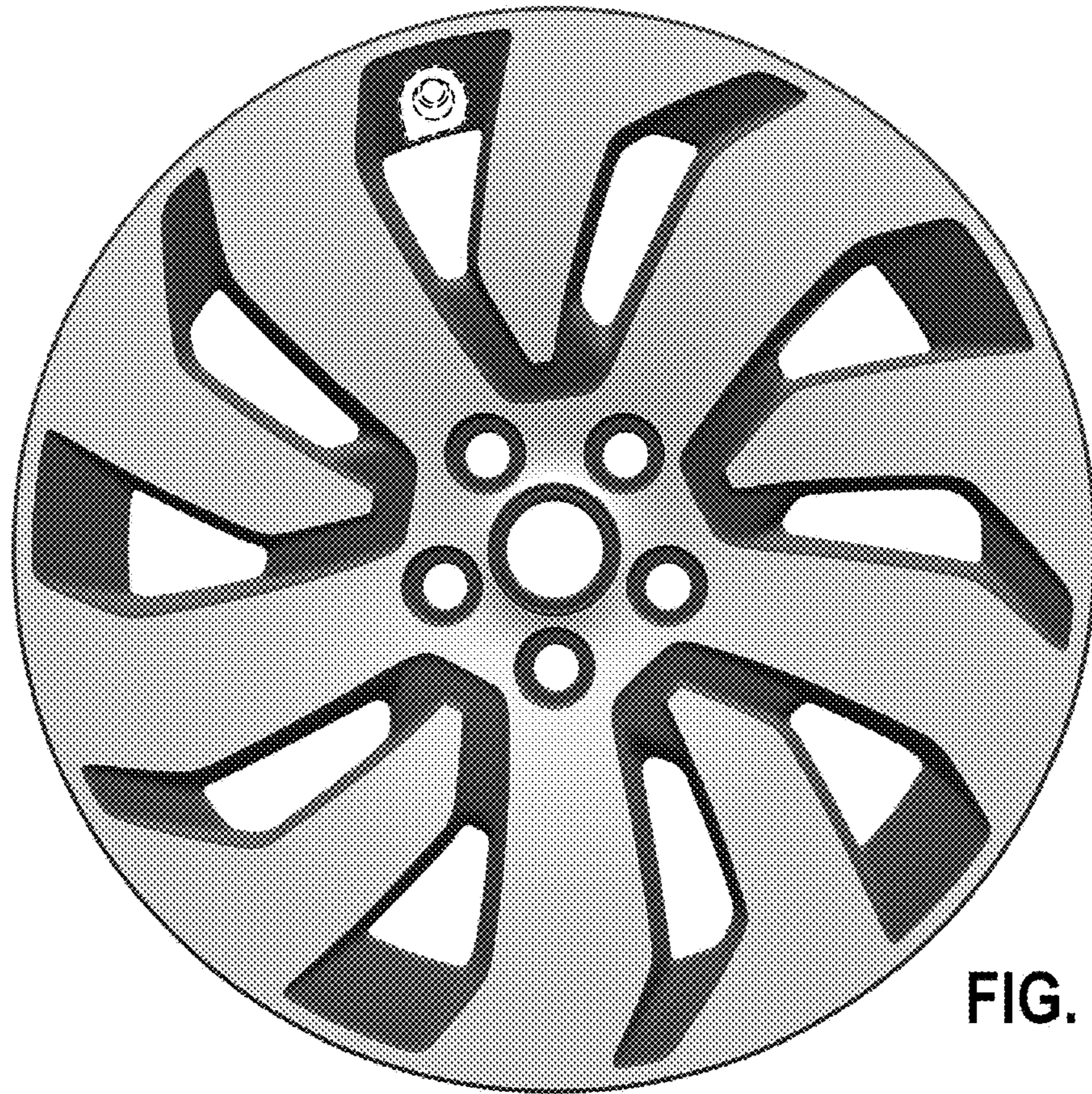


FIG. 3

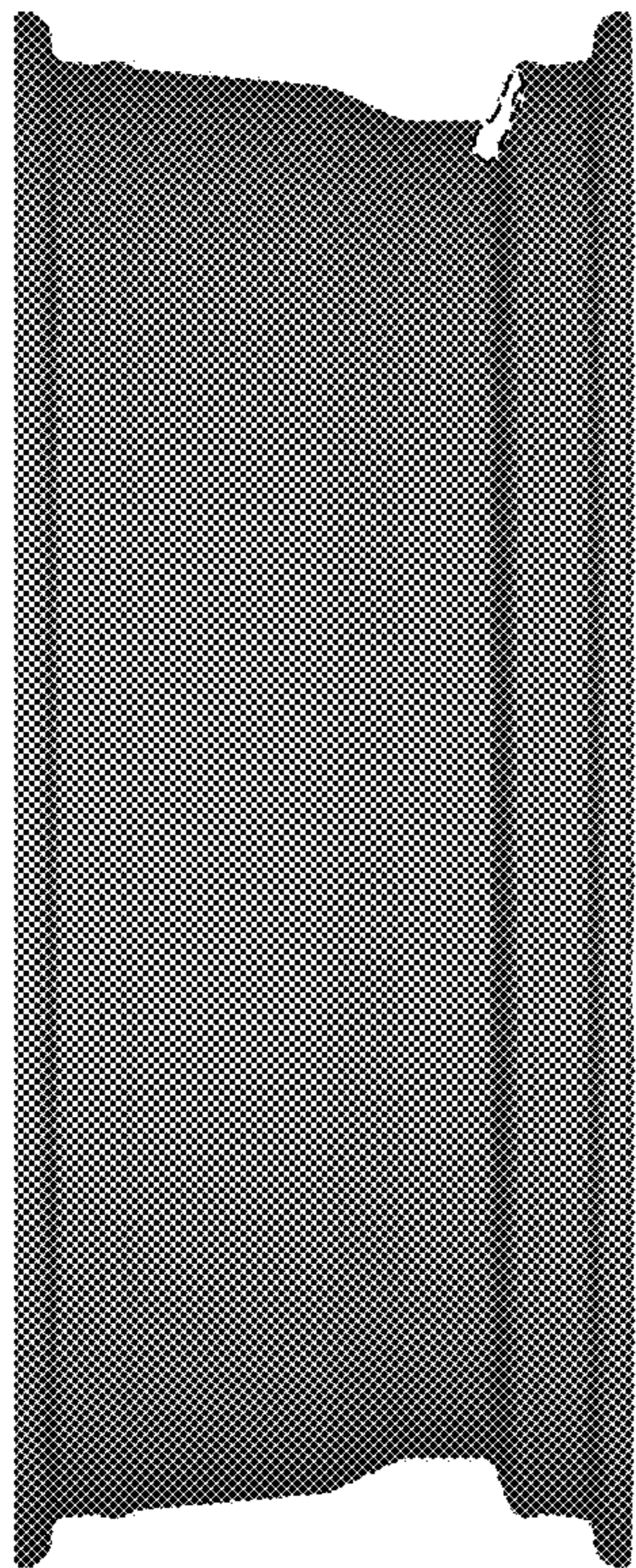


FIG. 4

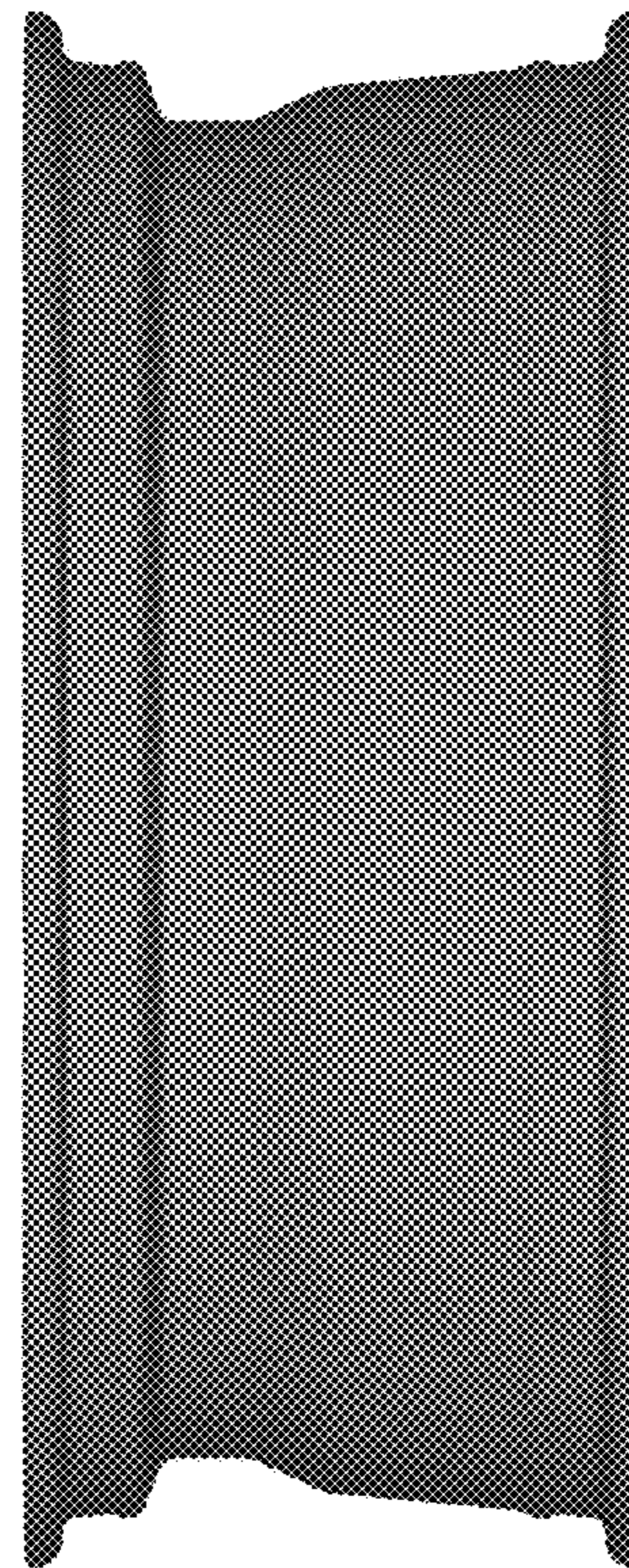


FIG. 5



FIG. 6



FIG. 7



FIG. 8



FIG. 9



FIG. 10



FIG. 11

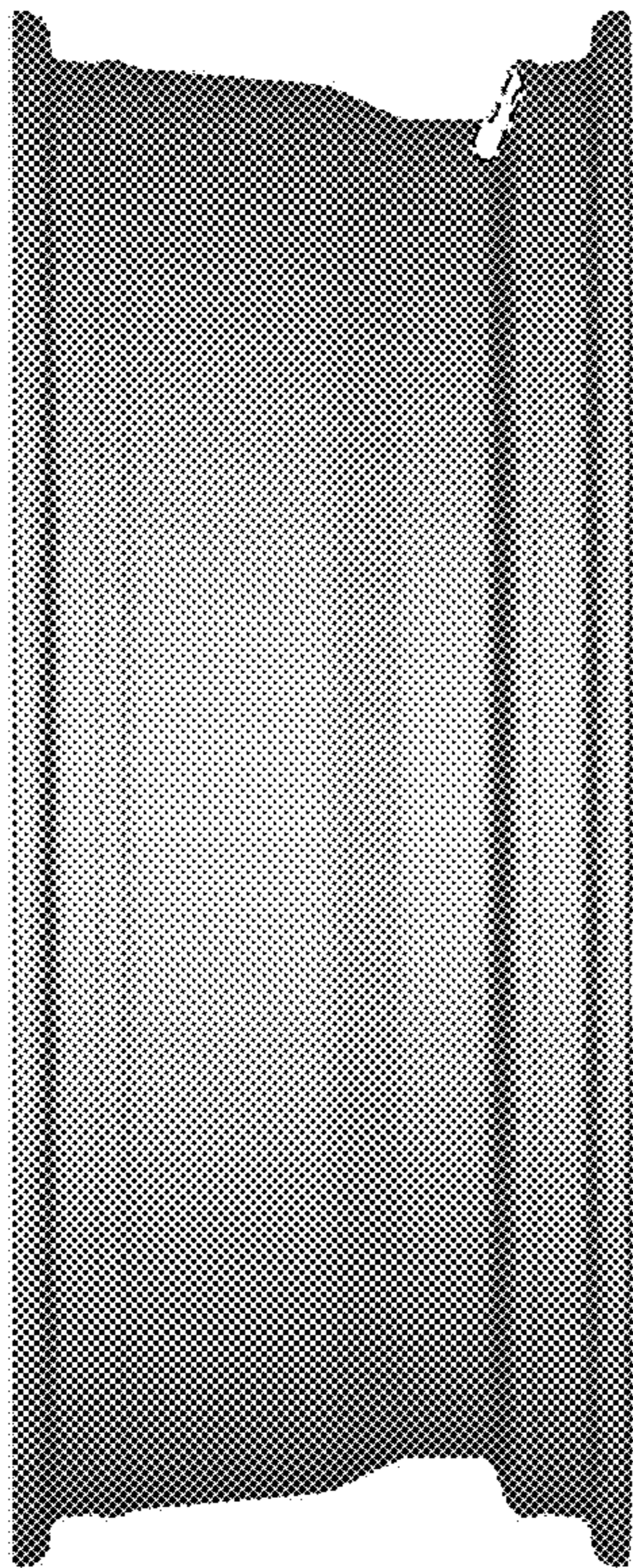


FIG. 12

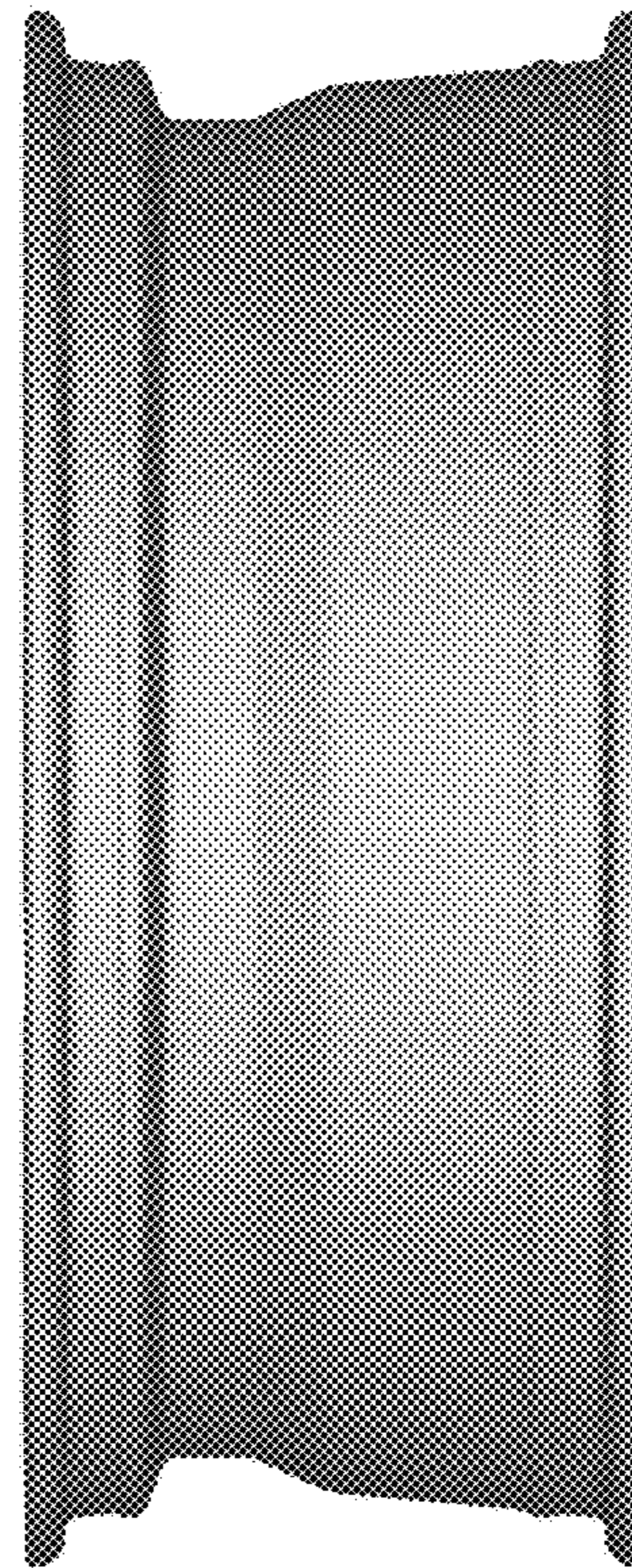


FIG. 13



FIG. 14



FIG. 15



FIG. 16



FIG. 17



FIG. 18

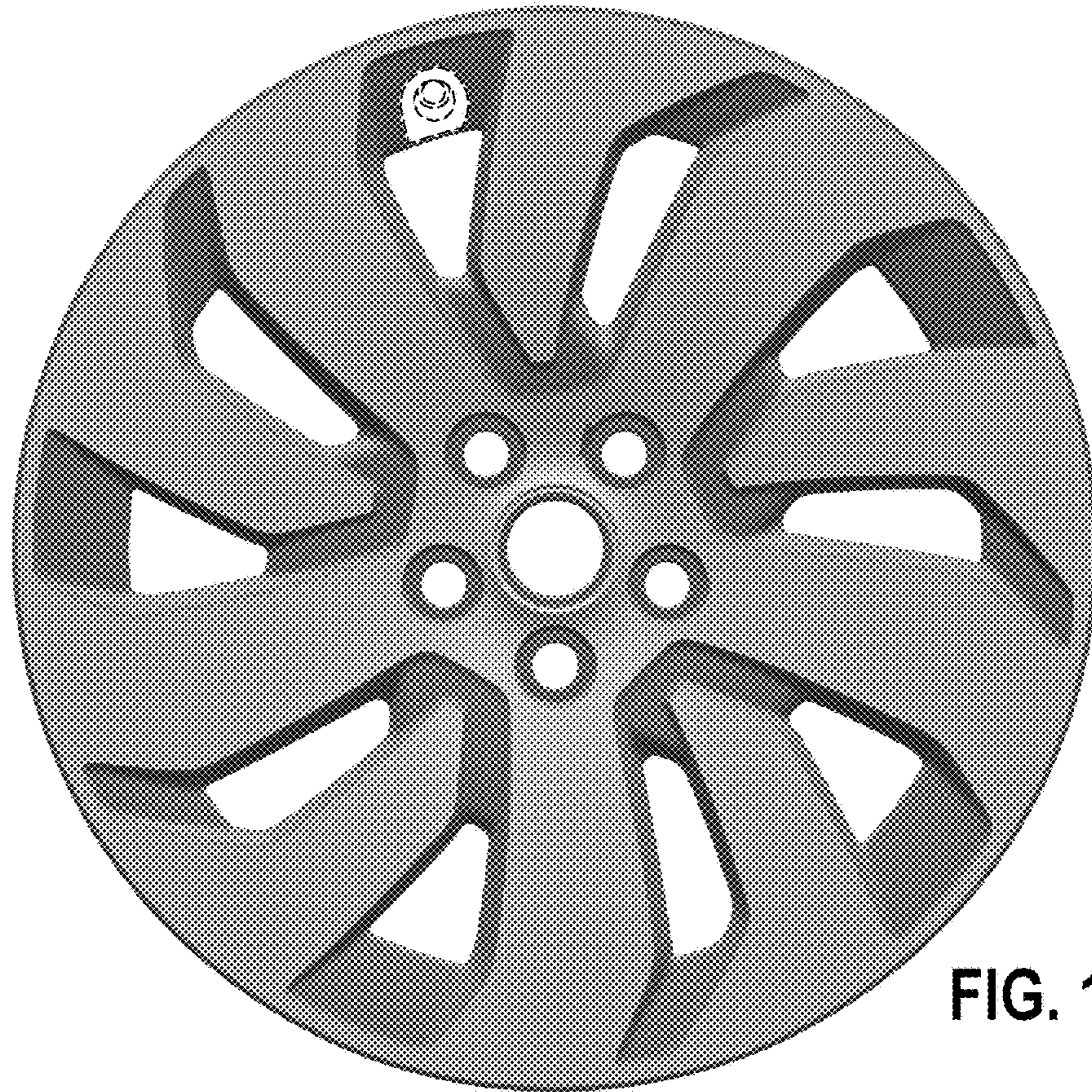


FIG. 19

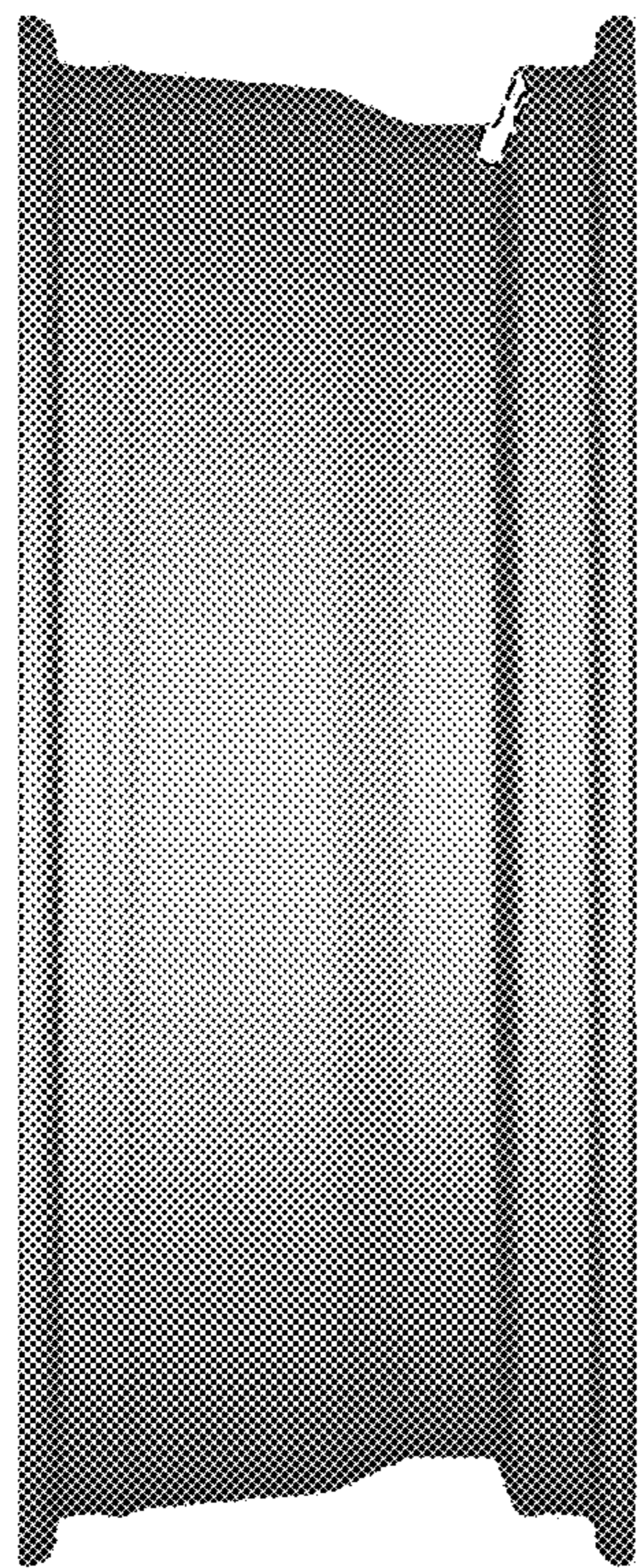


FIG. 20

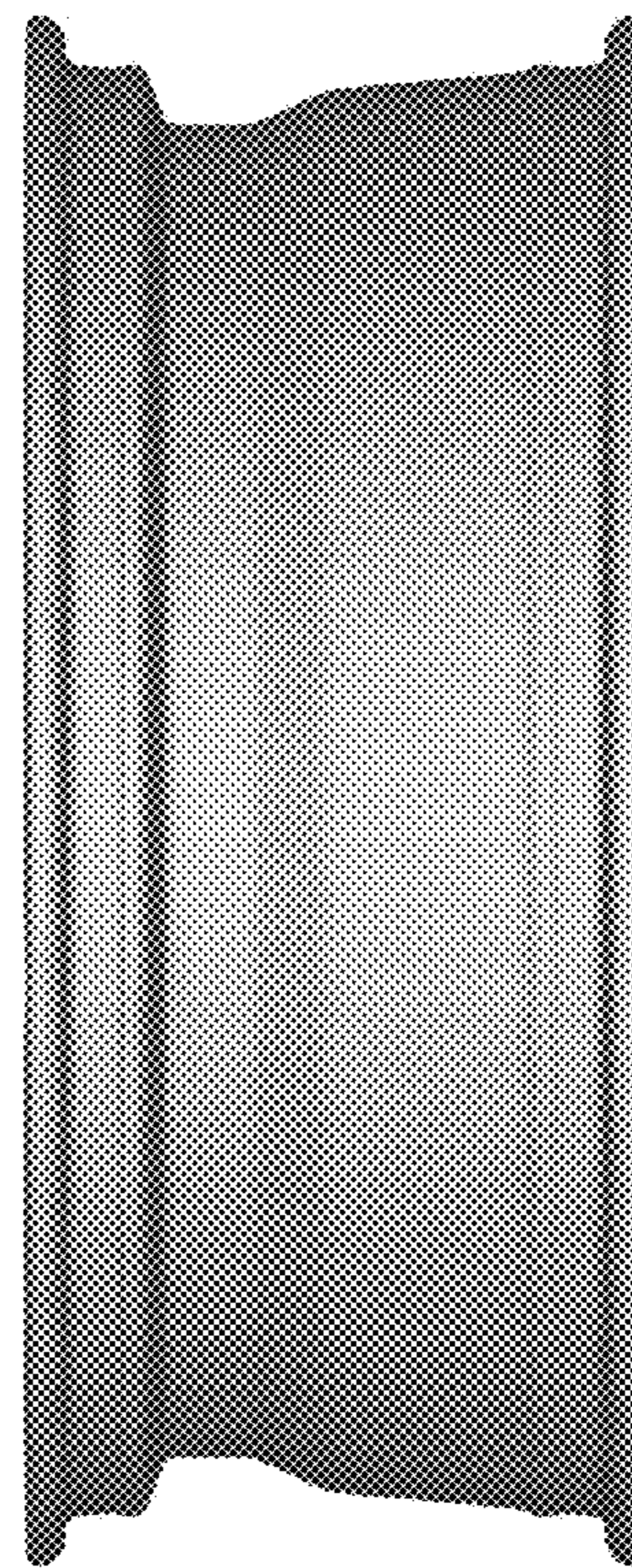


FIG. 21



FIG. 22



FIG. 23



FIG. 24