

US00D840316S

(12) **United States Design Patent**
Battams

(10) **Patent No.:** **US D840,316 S**

(45) **Date of Patent:** **** Feb. 12, 2019**

(54) **WHEEL**

(71) Applicant: **Jaguar Land Rover Limited**, Whitley,
Coventry (GB)

(72) Inventor: **Robert Battams**, Coventry (GB)

(73) Assignee: **Jaguar Land Rover Limited**, Whitley,
Coventry (GB)

(**) Term: **15 Years**

(21) Appl. No.: **29/622,360**

(22) Filed: **Oct. 17, 2017**

(30) **Foreign Application Priority Data**

Apr. 21, 2017 (EM) 003866789

(51) **LOC (11) Cl.** **12-16**

(52) **U.S. Cl.**
USPC **D12/209**

(58) **Field of Classification Search**

USPC D12/204–213; D21/533, 561, 563
CPC B60B 7/00; B60B 7/02; B60B 7/04; B60B
7/06; B60B 3/02; B60B 3/04; B60B 3/06;
B60B 3/10; B60B 1/00; B60B 1/08;
B60B 1/10; B60B 1/12

See application file for complete search history.

(56) **References Cited**

U.S. PATENT DOCUMENTS

D582,831 S * 12/2008 Musser D12/211
D620,419 S * 7/2010 Lamm D12/209
D621,771 S * 8/2010 Truebsbach D12/211
D635,078 S * 3/2011 Elmitt D12/209
D697,008 S * 1/2014 Juergens D12/209
D717,709 S * 11/2014 Valencia Pollex D12/209
D784,898 S * 4/2017 Setter D12/211

D789,864 S * 6/2017 Song D12/211
D803,128 S * 11/2017 Svensson D12/209
D824,318 S * 7/2018 Wheel D12/211
D827,543 S * 9/2018 Woodhouse D12/209

* cited by examiner

Primary Examiner — Sheryl Lane

Assistant Examiner — Calvin E Vansant

(74) *Attorney, Agent, or Firm* — Wood Herron & Evans
LLP

(57) **CLAIM**

The ornamental design for a wheel, as shown and described.

DESCRIPTION

FIG. 1 is a front left perspective view of a wheel for a vehicle according to the present invention.

FIG. 2 is a front view of the wheel shown in FIG. 1.

FIG. 3 is a left side view thereof, the right side being a mirror image thereof.

FIG. 4 is a front left perspective view of a wheel for a vehicle according to an alternative embodiment of the present invention.

FIG. 5 is a front right perspective view of the wheel shown in FIG. 1.

FIG. 6 is a front view thereof.

FIG. 7 is a left side view thereof, the right side being a mirror image thereof.

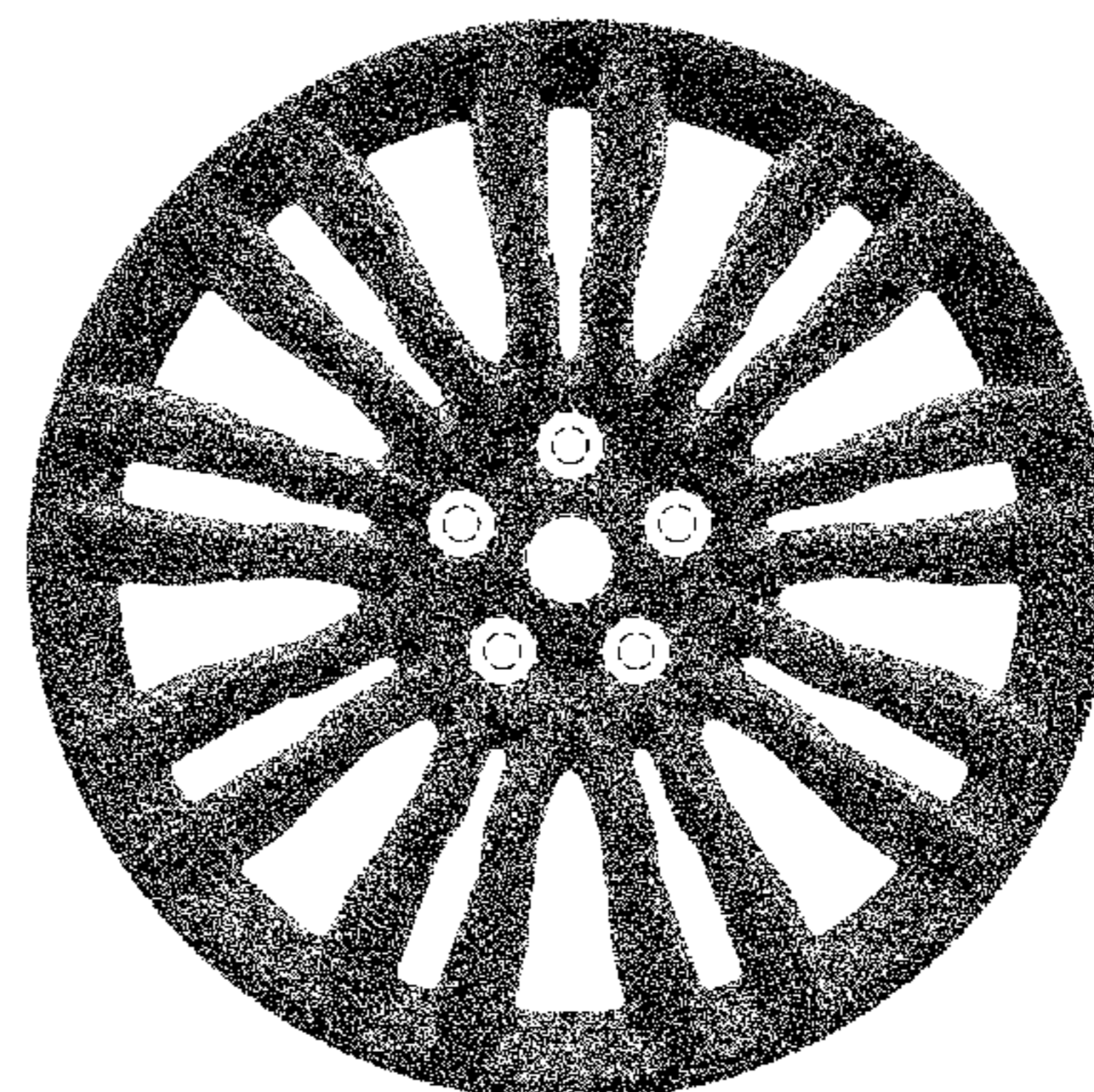
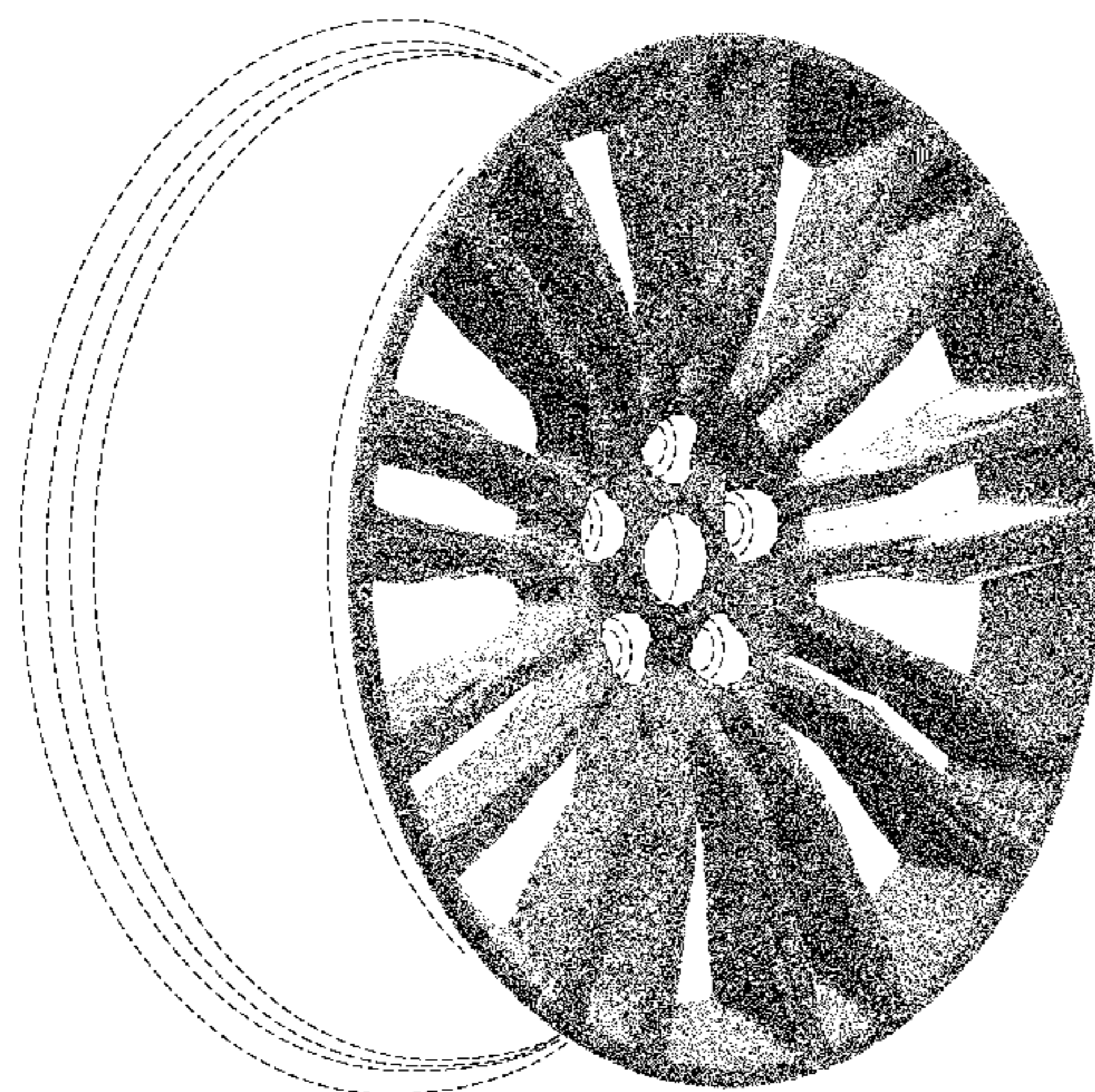
FIG. 8 is a rear view thereof.

FIG. 9 is a rear right perspective view thereof; and,

FIG. 10 is a rear left perspective view thereof.

In the drawings, the broken line showing of the rear of the rim, the bolt holes, and the center hole in the central hub area depict portions of the wheel that form no part of the claimed design.

1 Claim, 7 Drawing Sheets



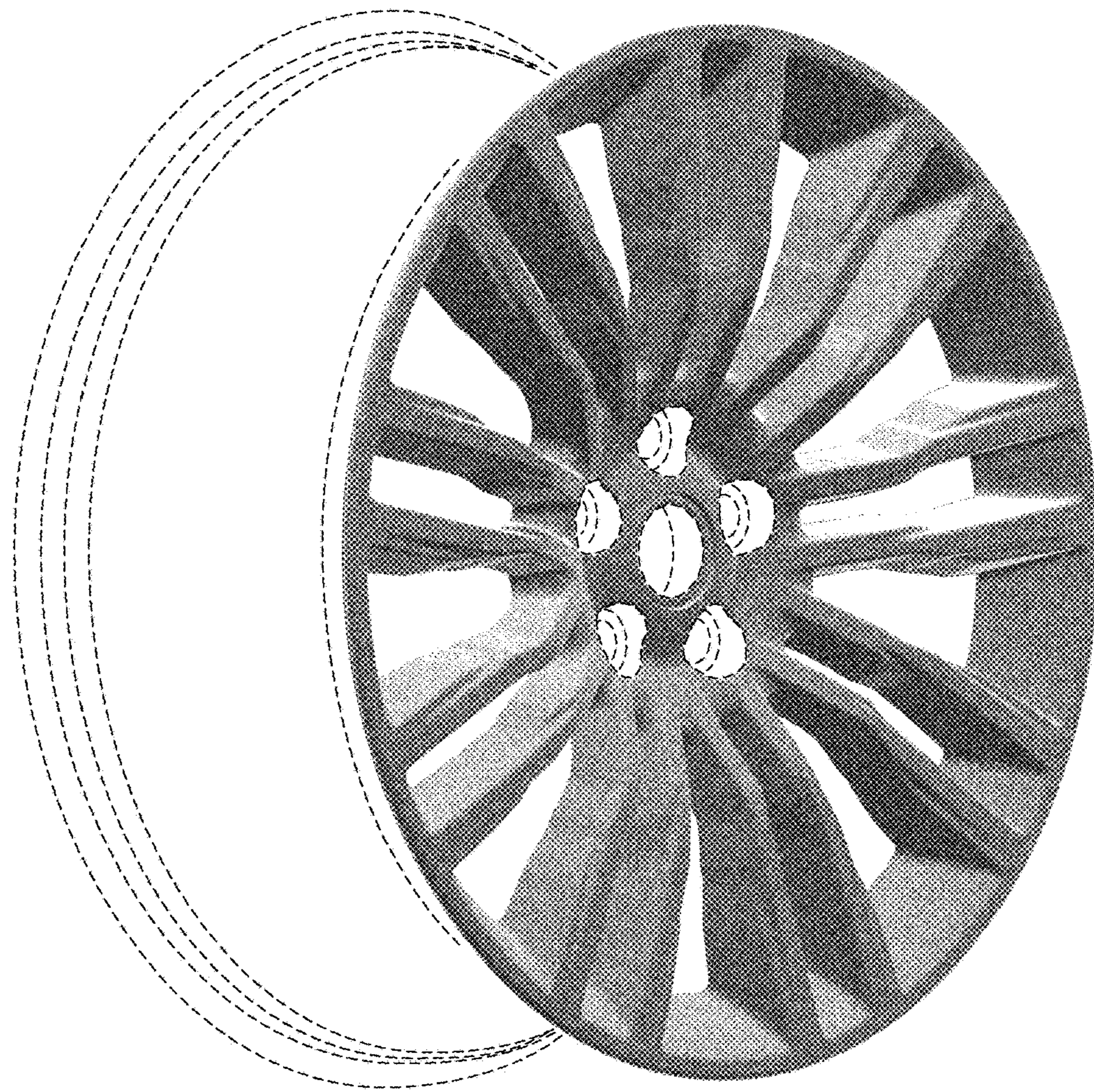


FIG. 1

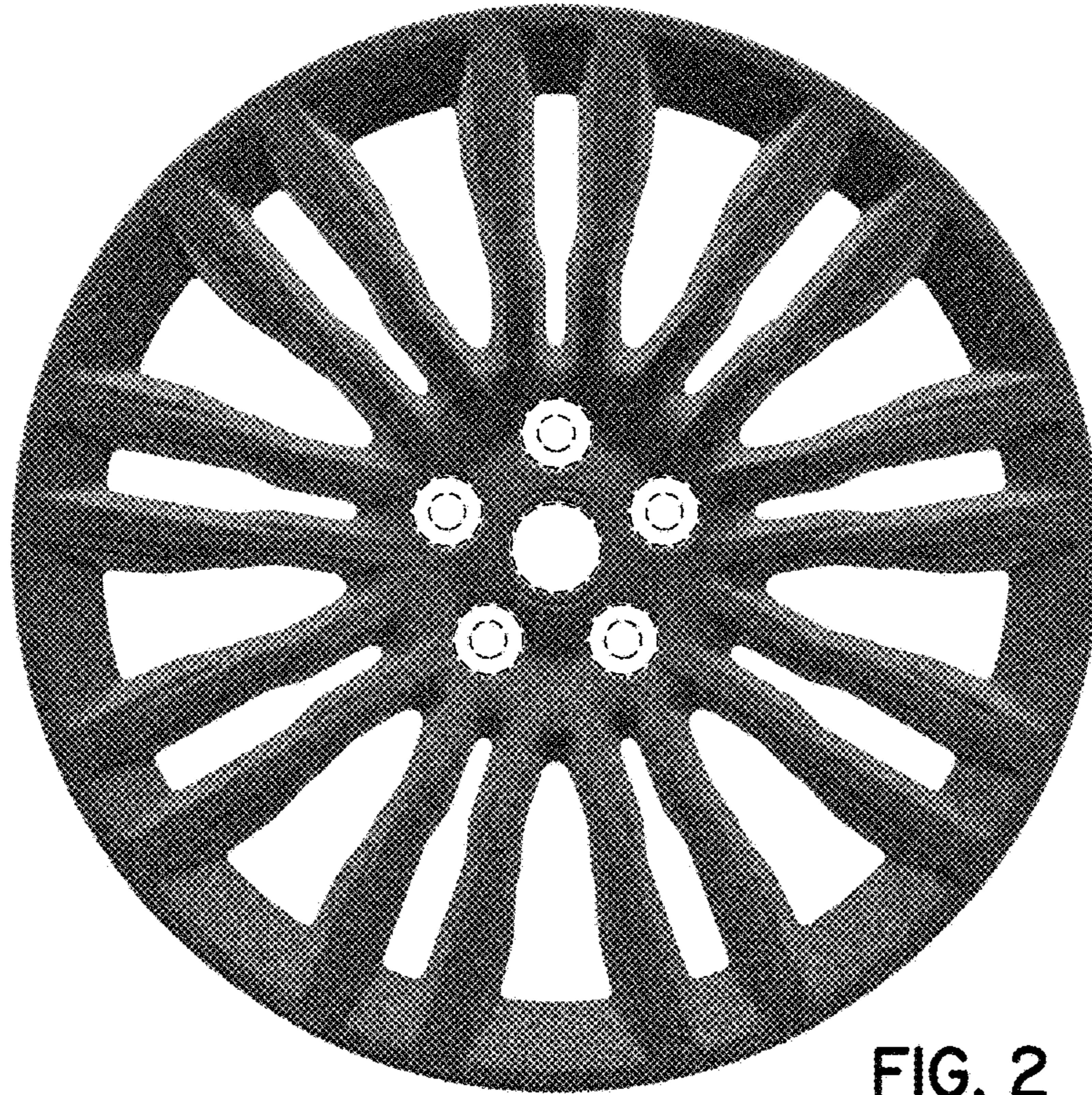


FIG. 2

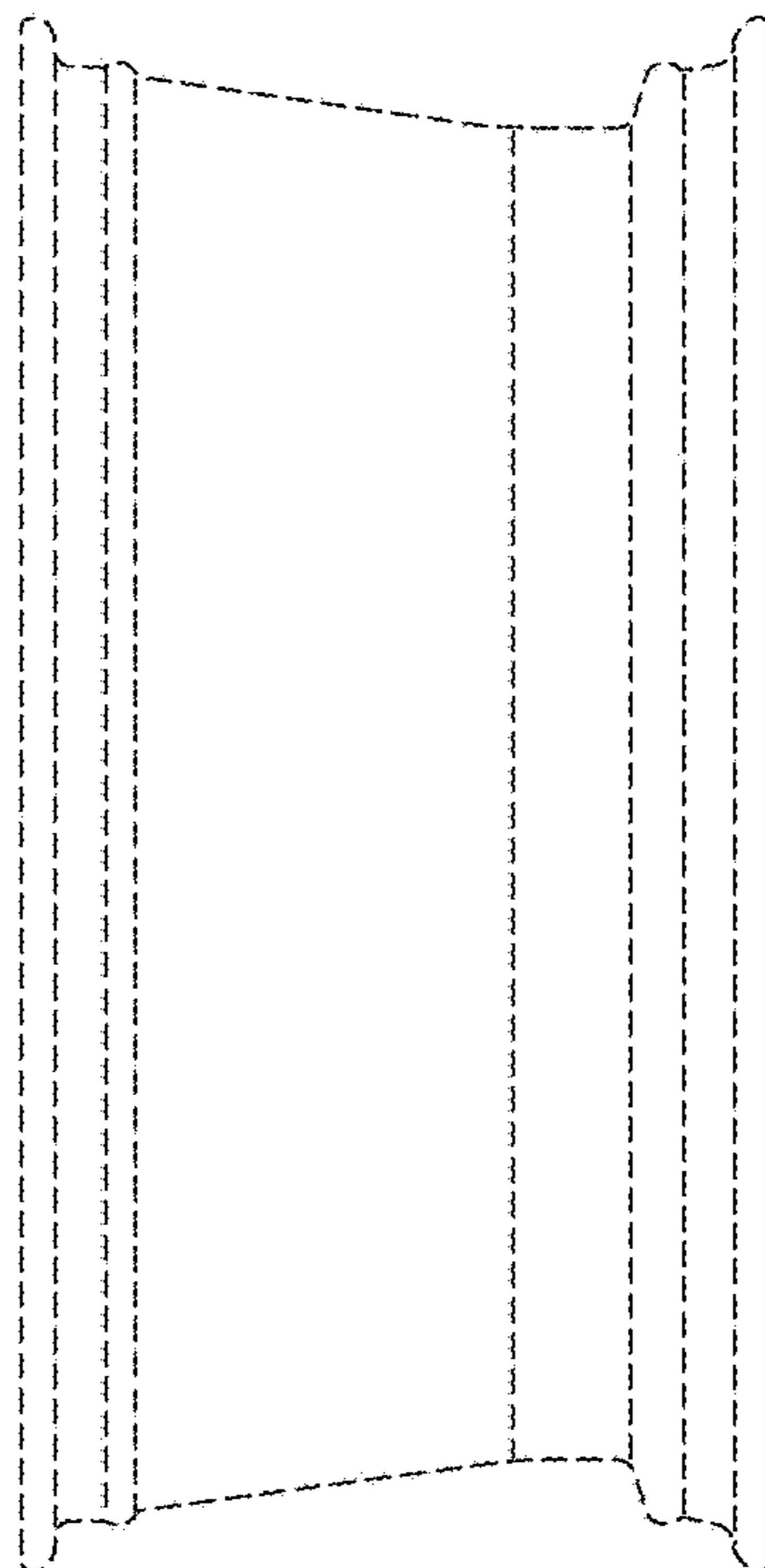


FIG. 3

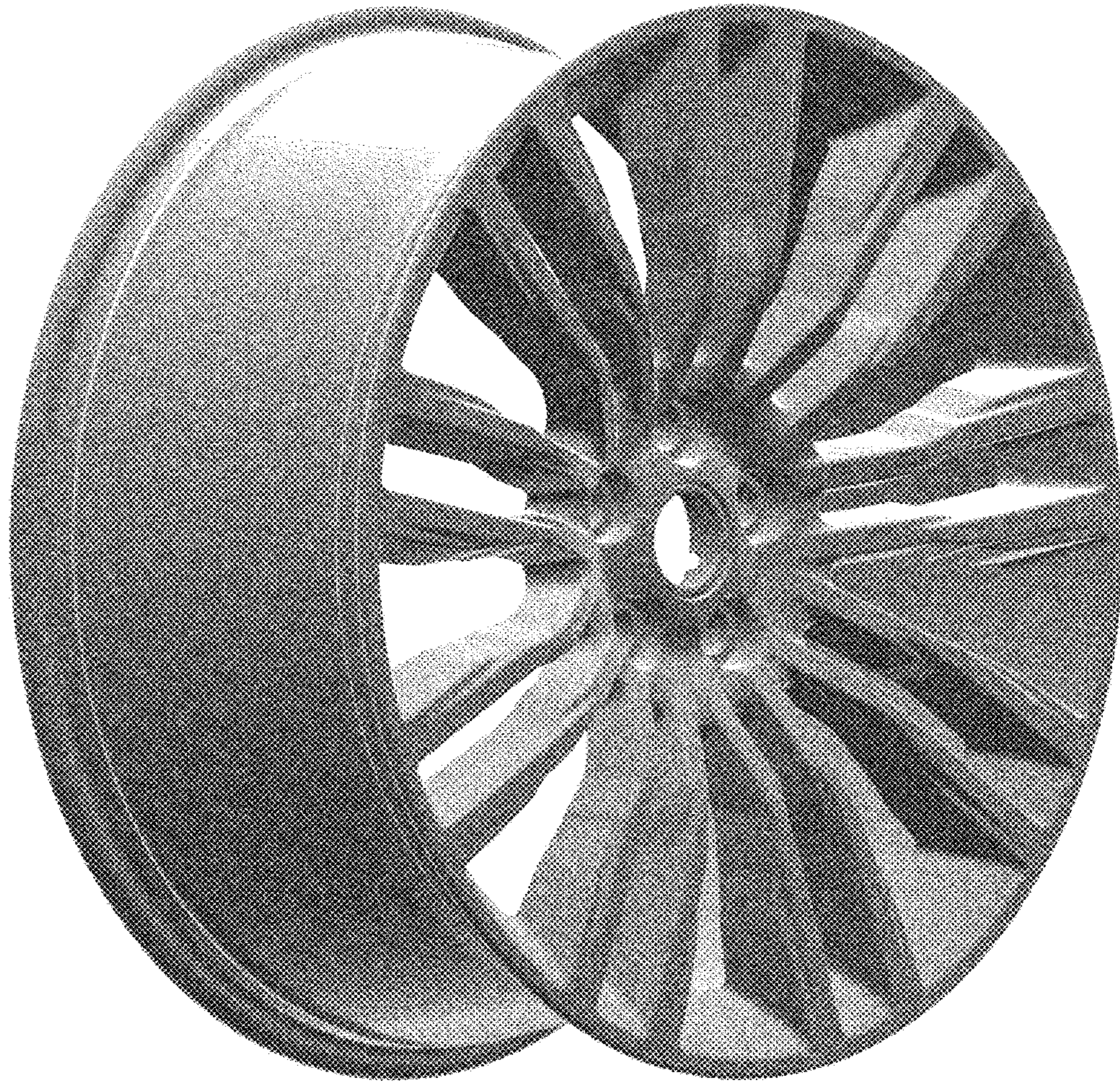


FIG. 4

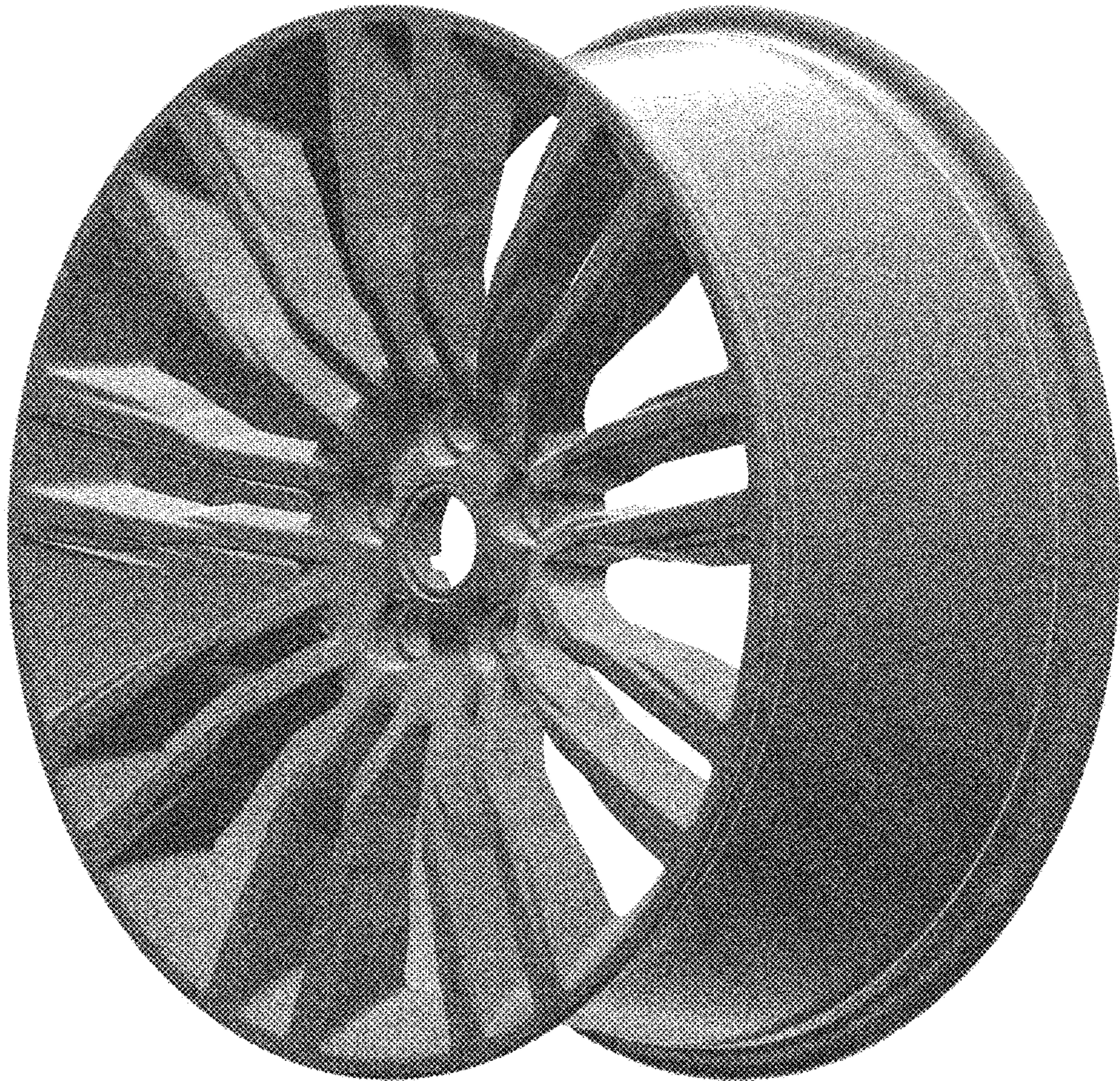


FIG. 5

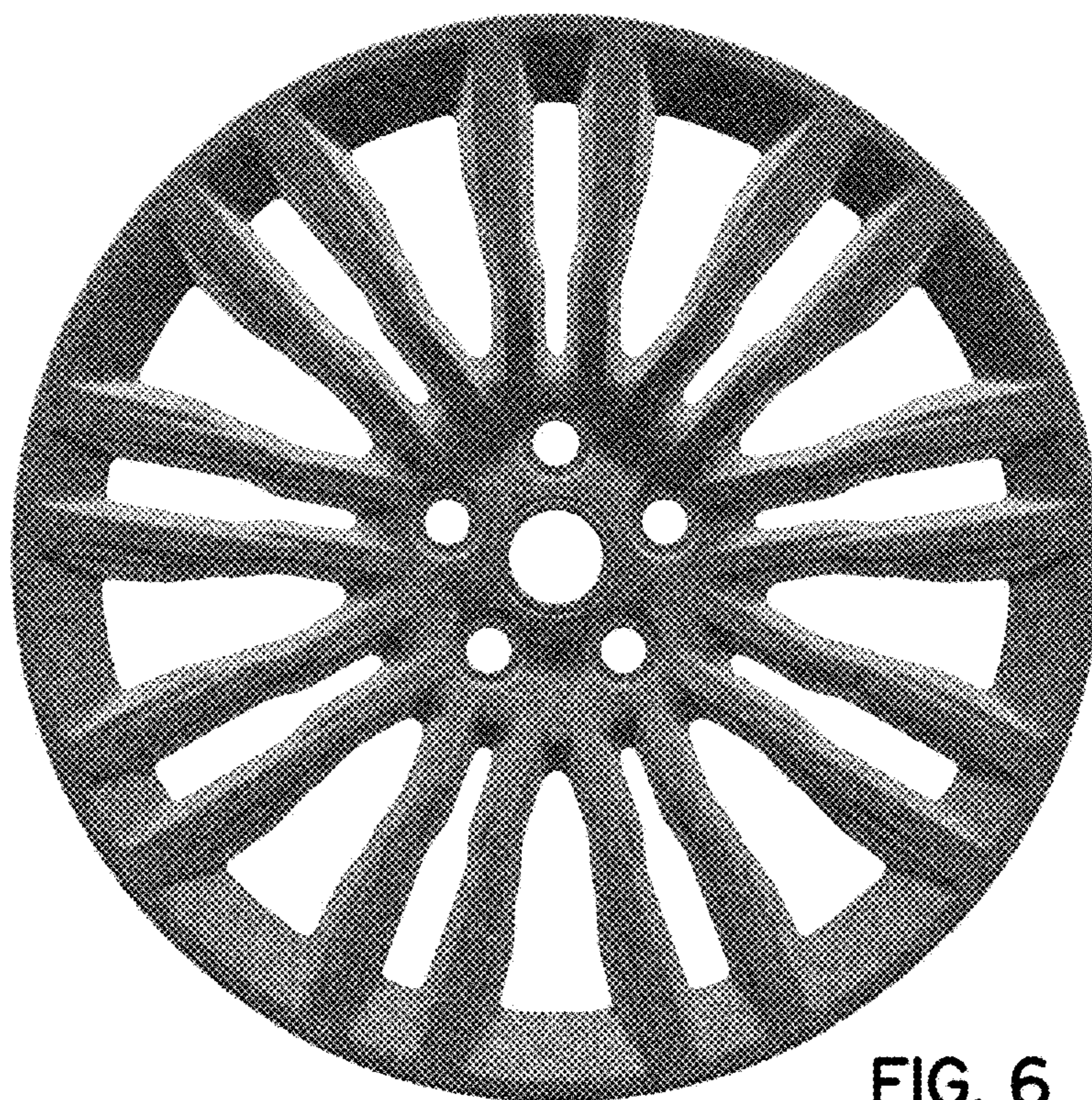


FIG. 6

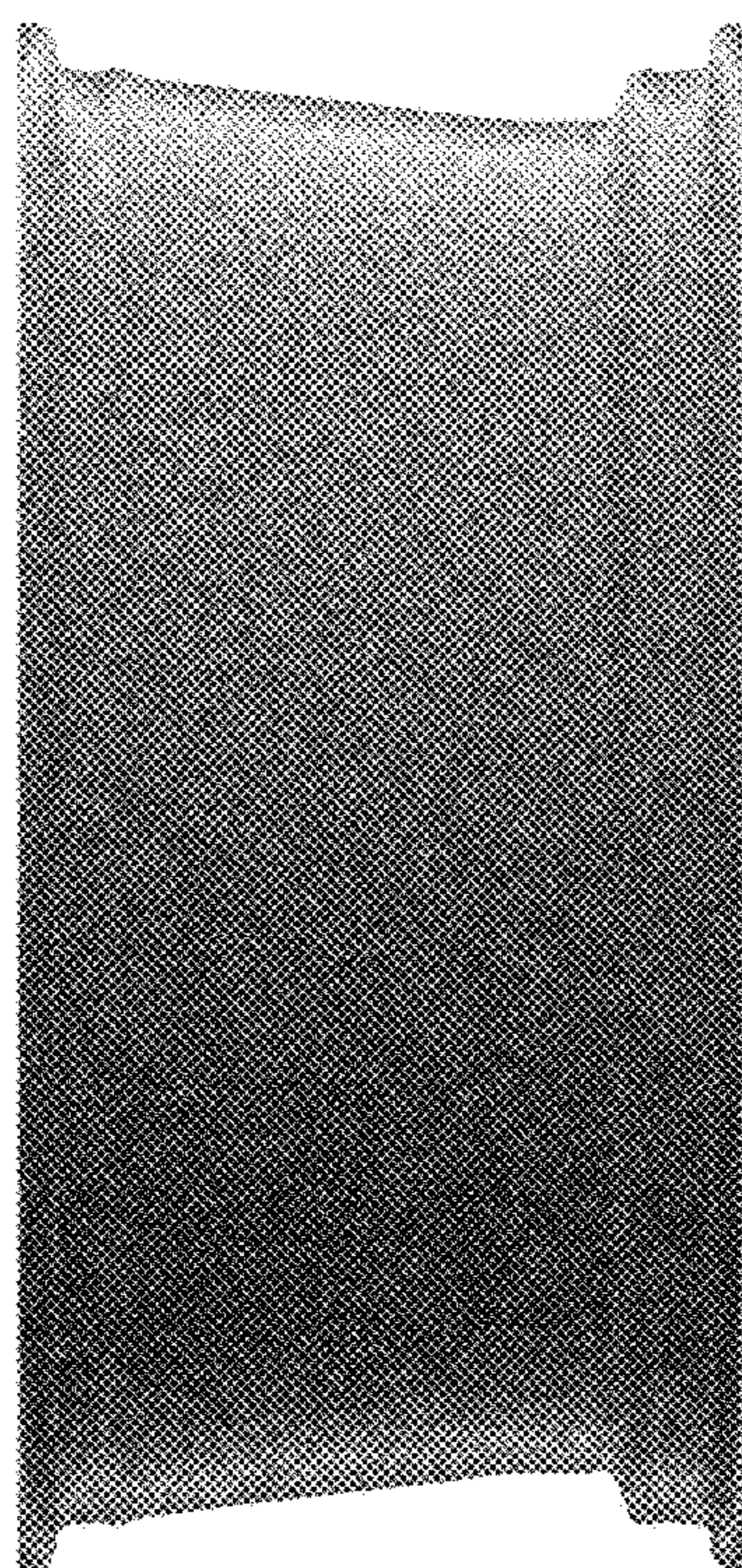


FIG. 7

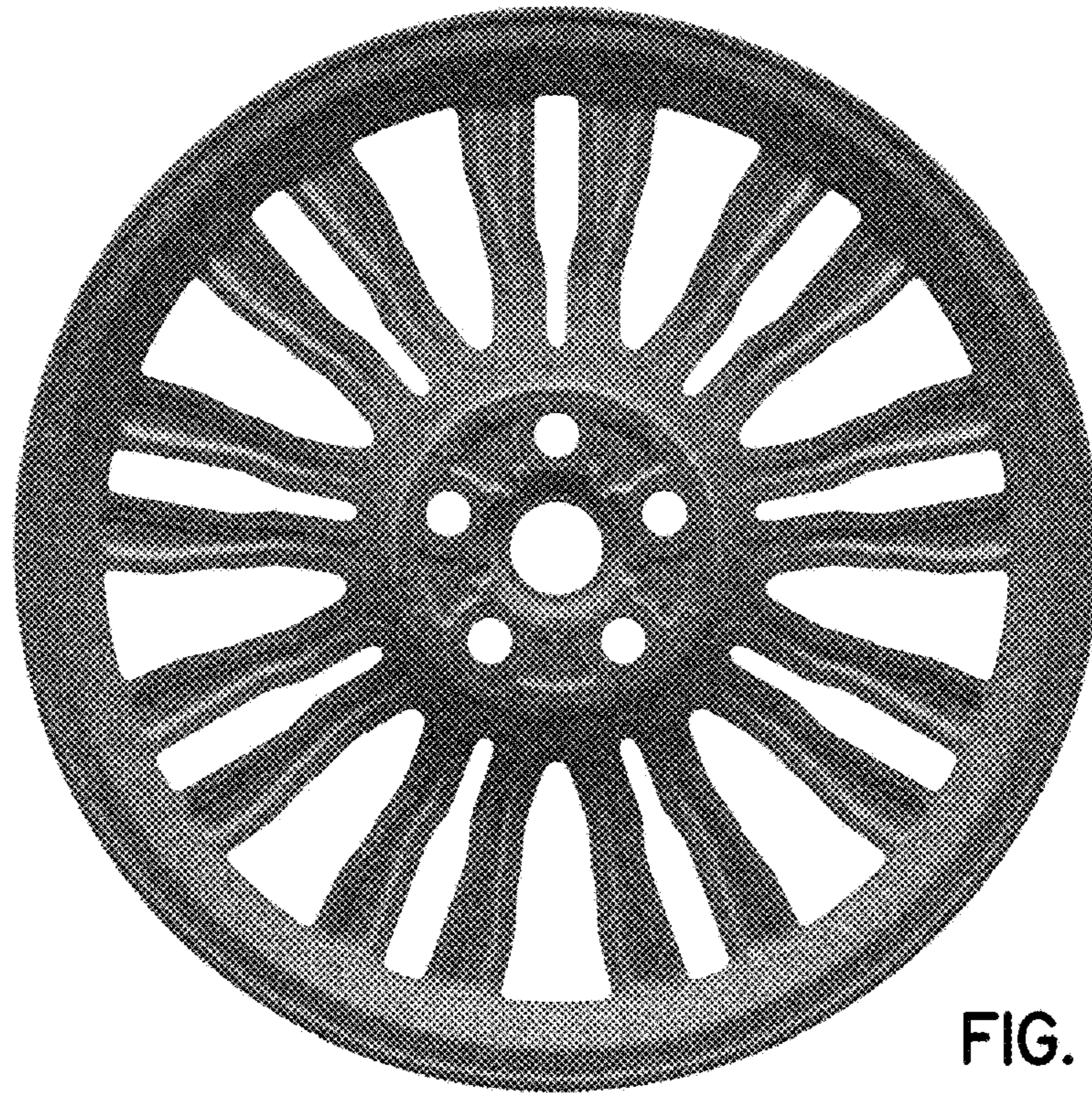


FIG. 8

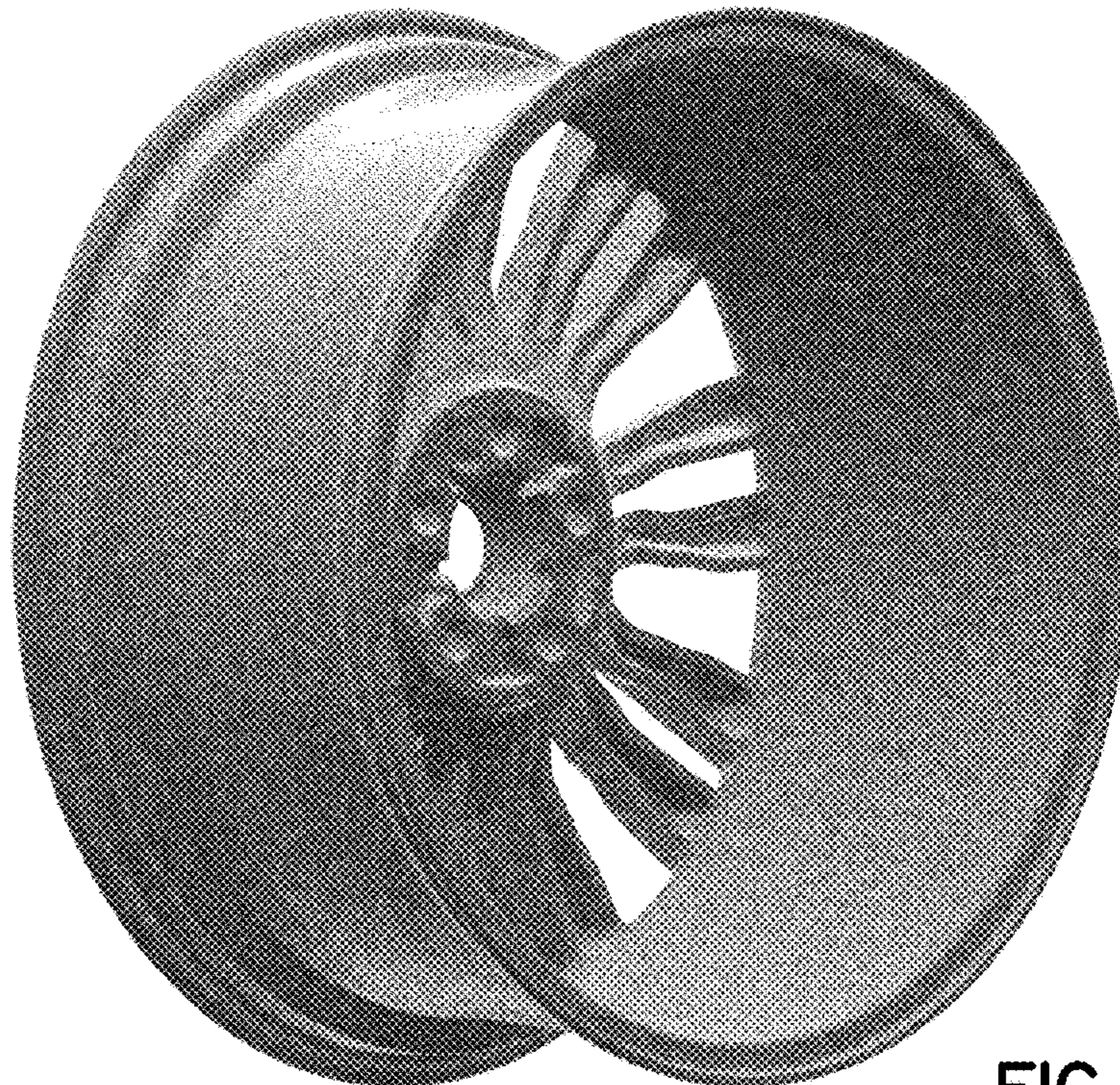


FIG. 9

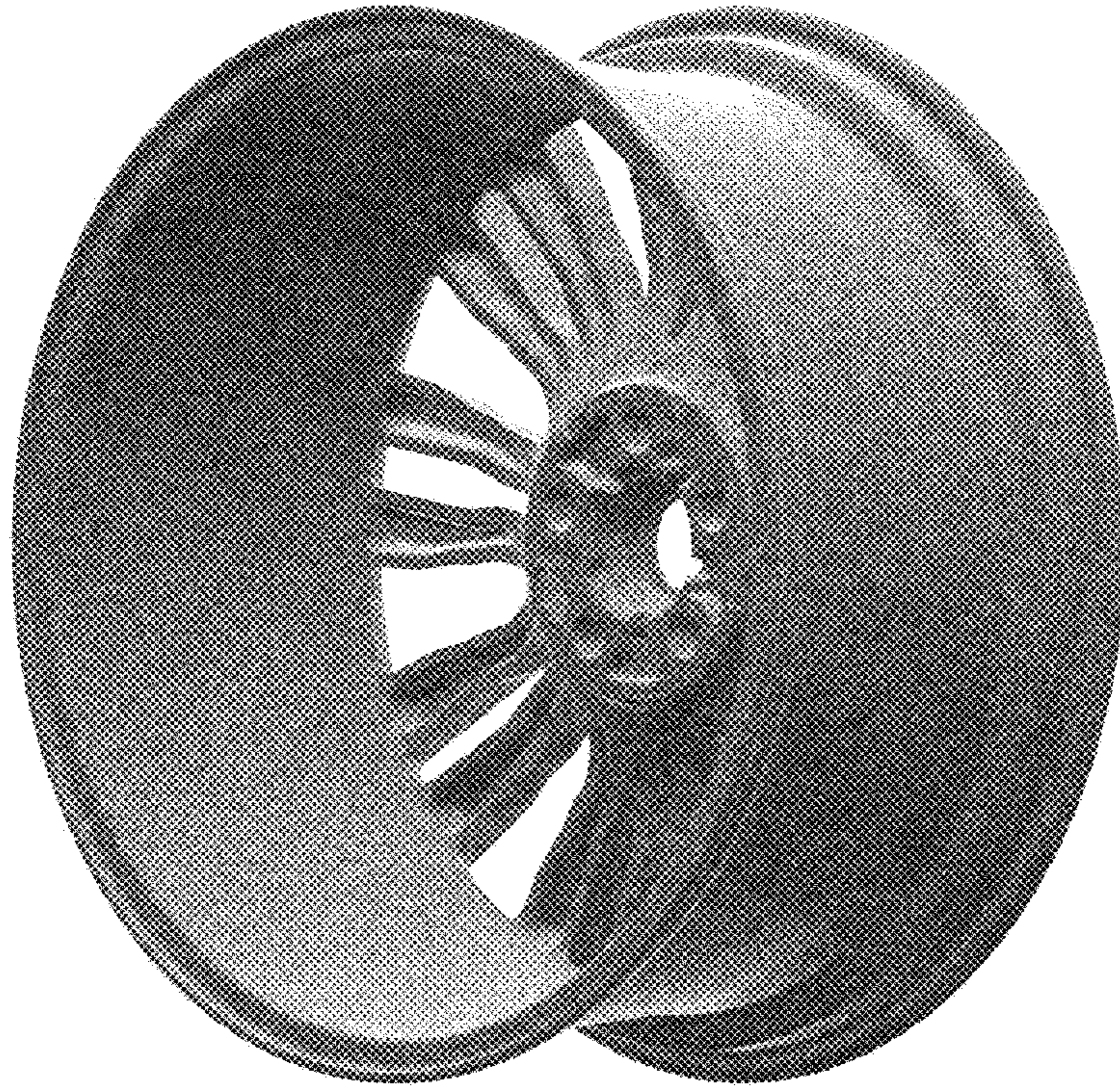


FIG. 10

UNITED STATES PATENT AND TRADEMARK OFFICE
CERTIFICATE OF CORRECTION

PATENT NO. : D840,316 S
APPLICATION NO. : 29/622360
DATED : February 12, 2019
INVENTOR(S) : Robert Battams

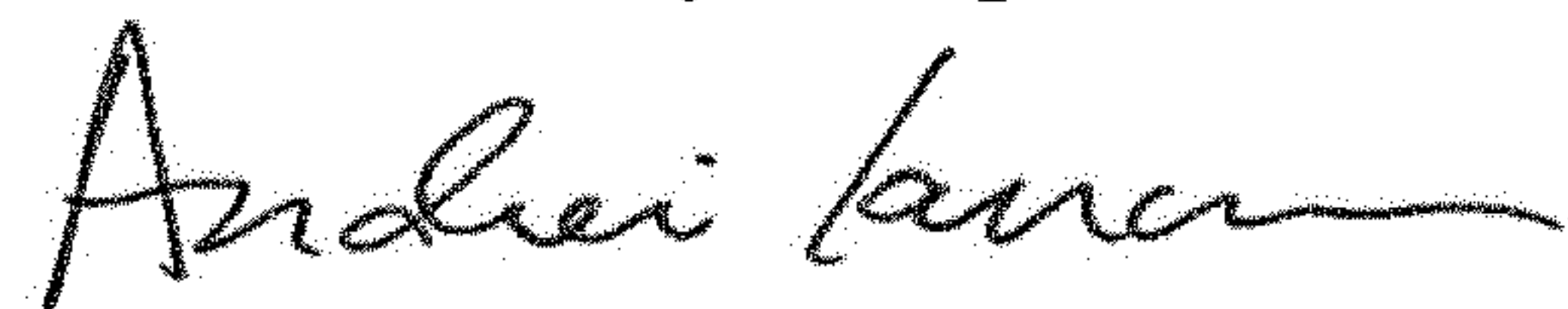
Page 1 of 1

It is certified that error appears in the above-identified patent and that said Letters Patent is hereby corrected as shown below:

On the Title Page

Column 2, under the heading "Description", Line 19, "depict" should be ---depicts---

Signed and Sealed this
Second Day of April, 2019



Andrei Iancu
Director of the United States Patent and Trademark Office