



US00D840315S

(12) **United States Design Patent**
Kikuchi

(10) **Patent No.:** **US D840,315 S**

(45) **Date of Patent:** **** Feb. 12, 2019**

(54) **WHEEL FOR AN AUTOMOBILE**

(71) Applicant: **Subaru Corporation**, Tokyo (JP)

(72) Inventor: **Kouta Kikuchi**, Tokyo (JP)

(73) Assignee: **Subaru Corporation**, Tokyo (JP)

(**) Term: **15 Years**

(21) Appl. No.: **29/612,263**

(22) Filed: **Jul. 31, 2017**

(30) **Foreign Application Priority Data**

Jan. 31, 2017 (JP) 2017-001631

(51) **LOC (11) Cl.** **12-16**

(52) **U.S. Cl.**
USPC **D12/209**

(58) **Field of Classification Search**
USPC D12/204–213
CPC B60B 7/00; B60B 7/02; B60B 7/04; B60B
7/01; B60B 7/06; B60B 3/02; B60B 3/04;
B60B 3/06; B60B 3/10; B60B 1/00;
B60B 1/08; B60B 1/10; B60B 1/12
See application file for complete search history.

(56) **References Cited**

U.S. PATENT DOCUMENTS

D392,237 S *	3/1998	Kelley	D12/209
D395,635 S *	6/1998	Kelley	D12/213
D403,648 S *	1/1999	Feriero	D12/209
D407,057 S *	3/1999	Goplen	D12/211
D432,479 S *	10/2000	Lee	D12/209
D436,912 S *	1/2001	Boyer	D12/211
D486,110 S *	2/2004	Elmitt	D12/211
D505,371 S *	5/2005	Hueller	D12/209

D560,152 S *	1/2008	Nordmann	D12/211
D580,334 S *	11/2008	Blasi	D12/211
D649,504 S *	11/2011	Platto	D12/209
D670,224 S *	11/2012	Goto	D12/209
D677,610 S *	3/2013	Holstein	D12/209
D725,571 S *	3/2015	Kobayashi	D12/211
D739,323 S *	9/2015	Kermelk	D12/209
D744,399 S *	12/2015	Juergens	D12/209
D762,542 S *	8/2016	Chinavare	D12/209
D763,762 S *	8/2016	Ghobrial	D12/209
D766,806 S *	9/2016	Tannen	D12/211
D783,493 S *	4/2017	Hubers	D12/209
D792,307 S *	7/2017	Macey	D12/209

* cited by examiner

Primary Examiner — Stacia A Cadmus

(74) *Attorney, Agent, or Firm* — Schiff Hardin LLP

(57) **CLAIM**

I claim the ornamental design for a wheel for an automobile, thereof, as shown and described.

DESCRIPTION

FIG. 1 is a front perspective view for a “wheel for an automobile” showing my new design, FIG. 2 is a rear perspective view thereof, FIG. 3 is a front view thereof, FIG. 4 is a rear view thereof, FIG. 5 is a top view thereof, FIG. 6 is a bottom view thereof, FIG. 7 is a left-side view thereof, FIG. 8 is a right-side view thereof, FIG. 9 is an enlarged view of an end view cut the 9-9 line of FIG. 3 thereof; and, FIG. 10 is an enlarged view of an end view cut the 10-10 line of FIG. 3 thereof.

1 Claim, 10 Drawing Sheets

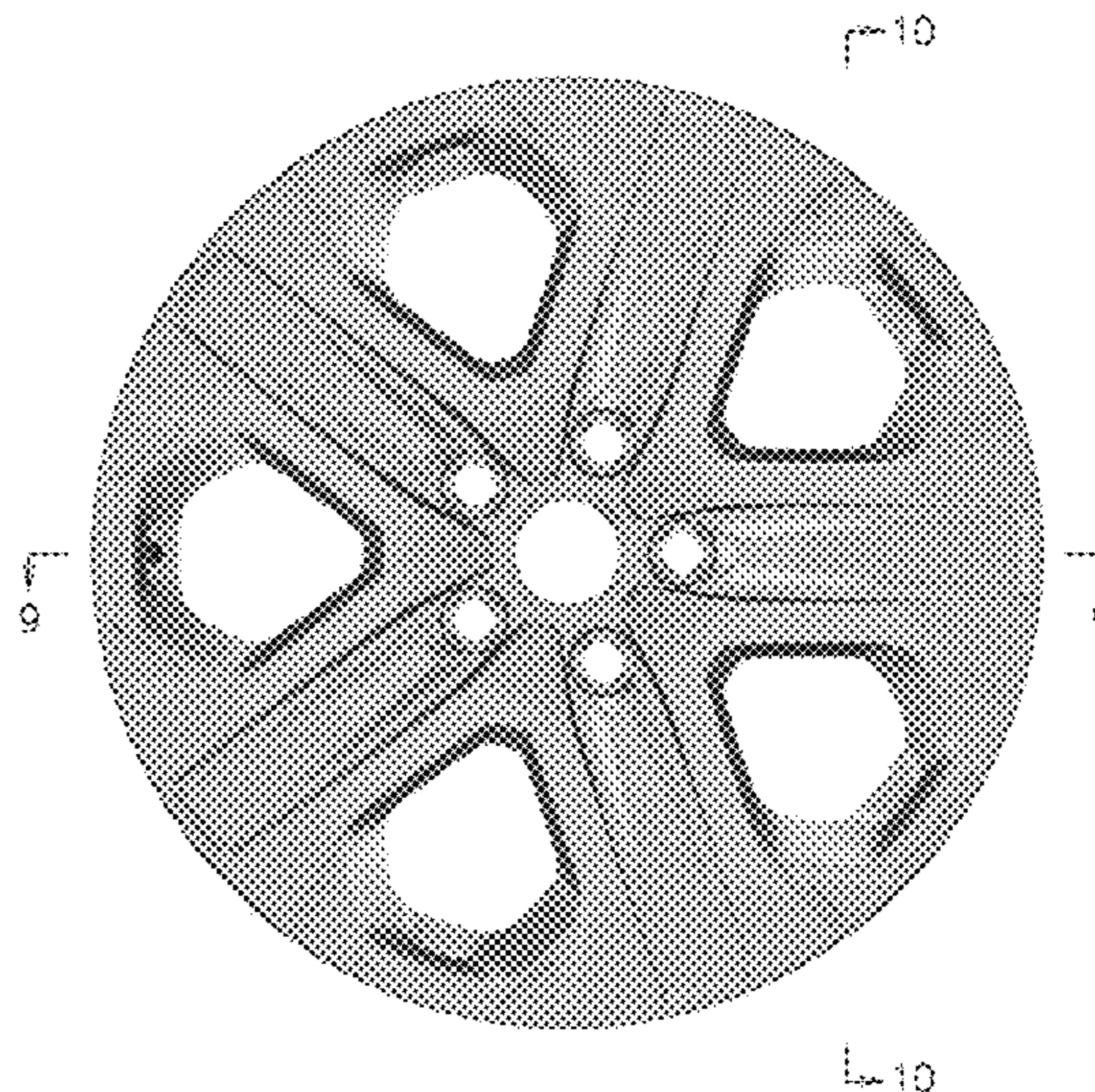
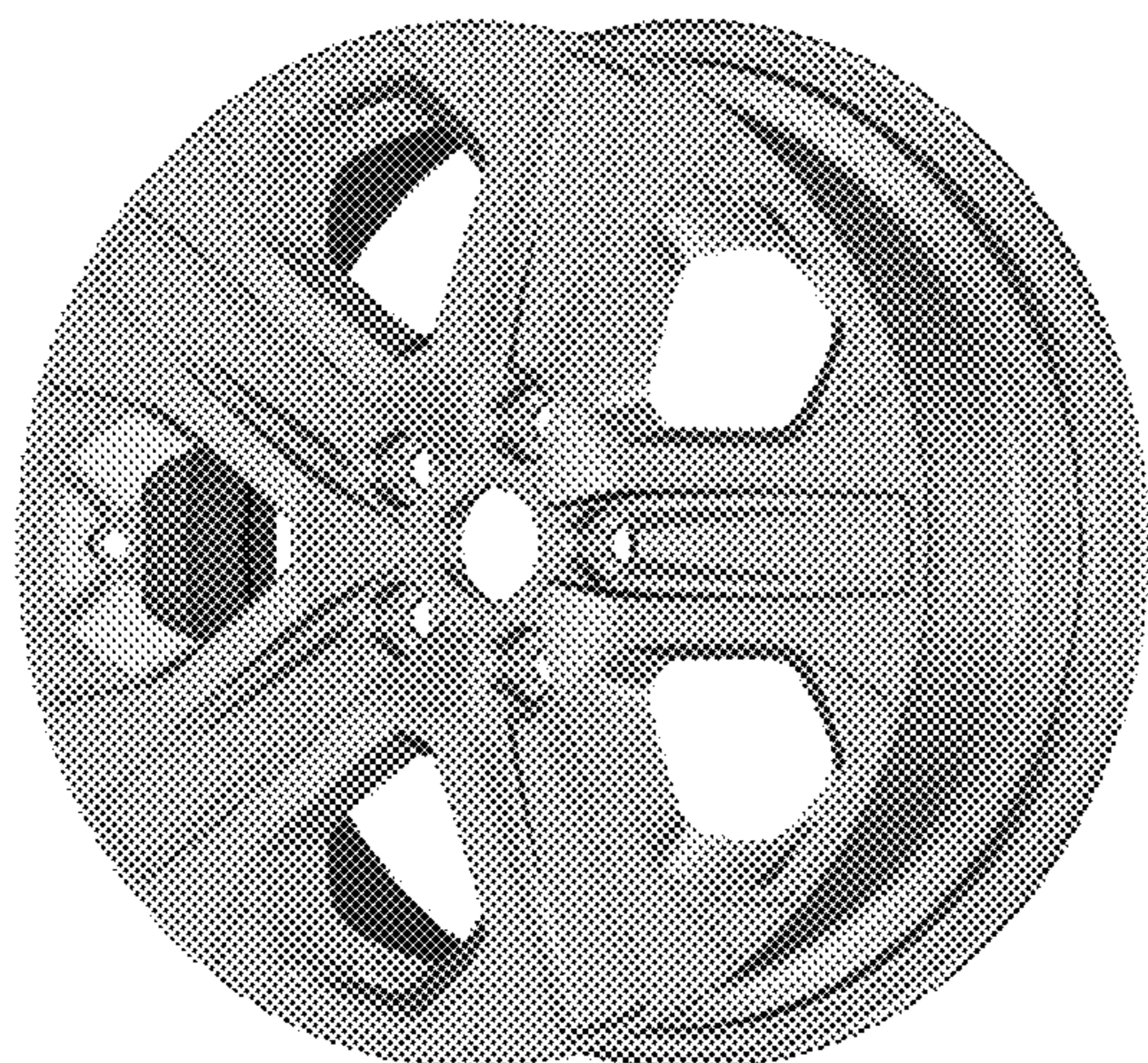


Fig. 1



Fig. 2



Fig. 3

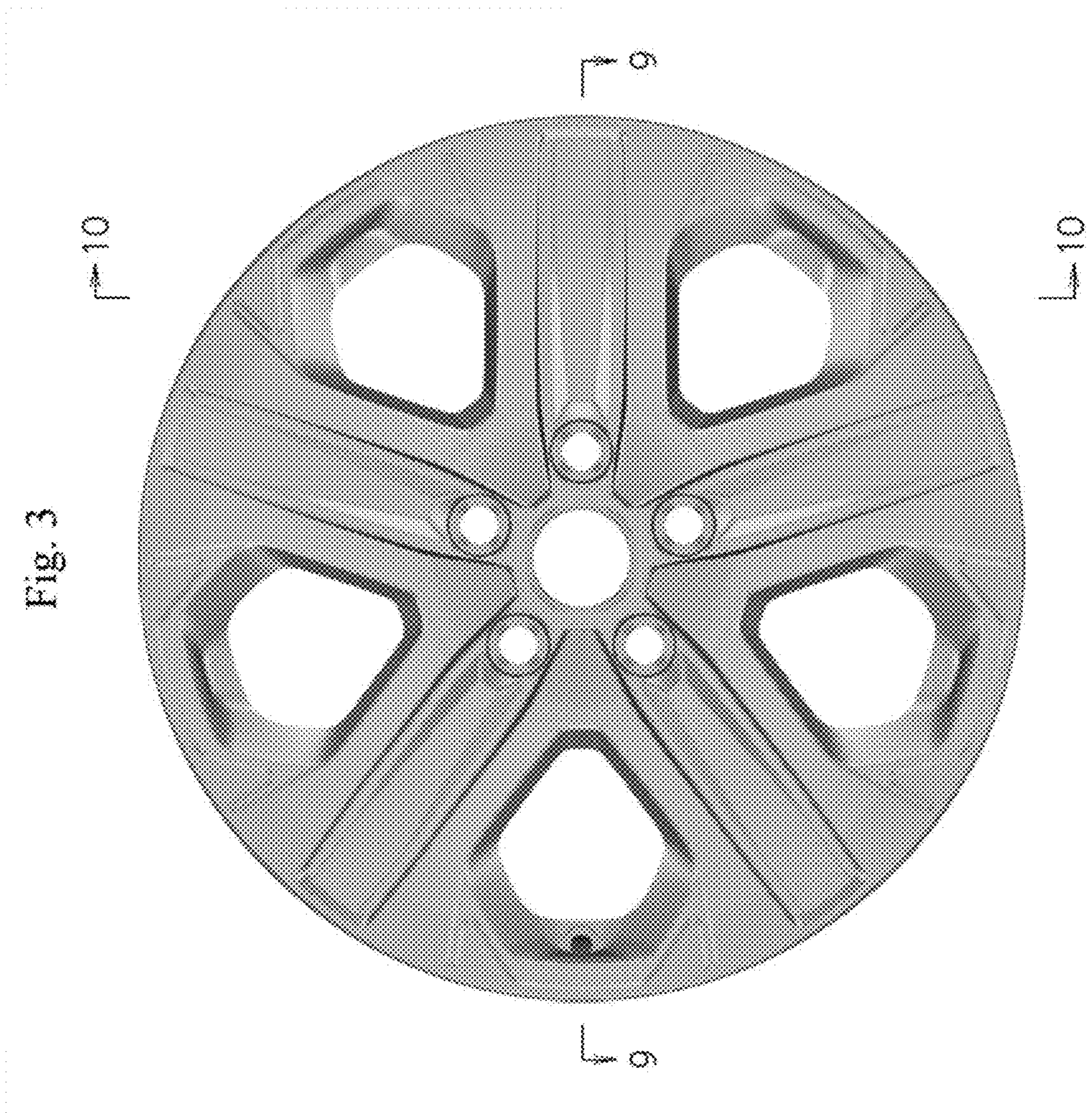


Fig. 4



Fig. 5

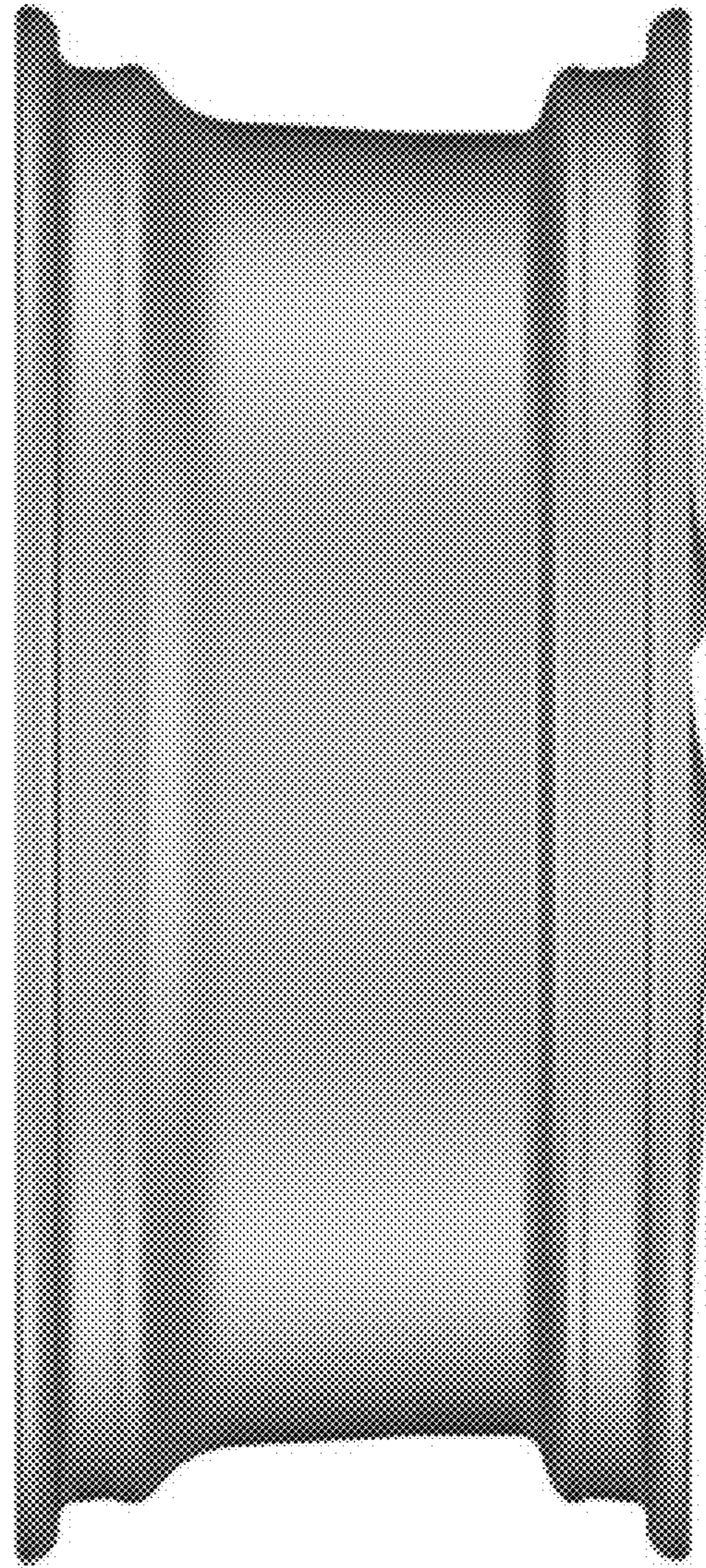


Fig. 6

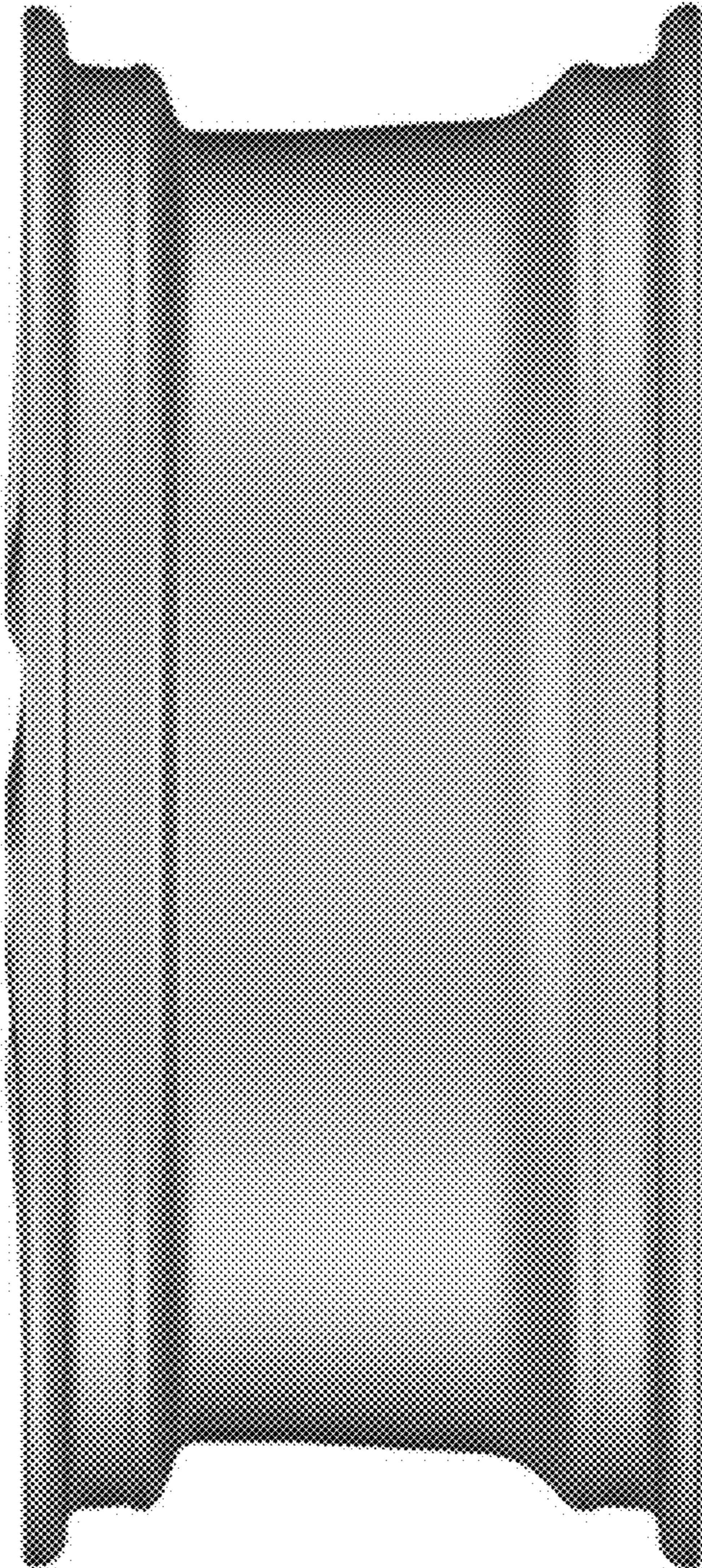


Fig. 7

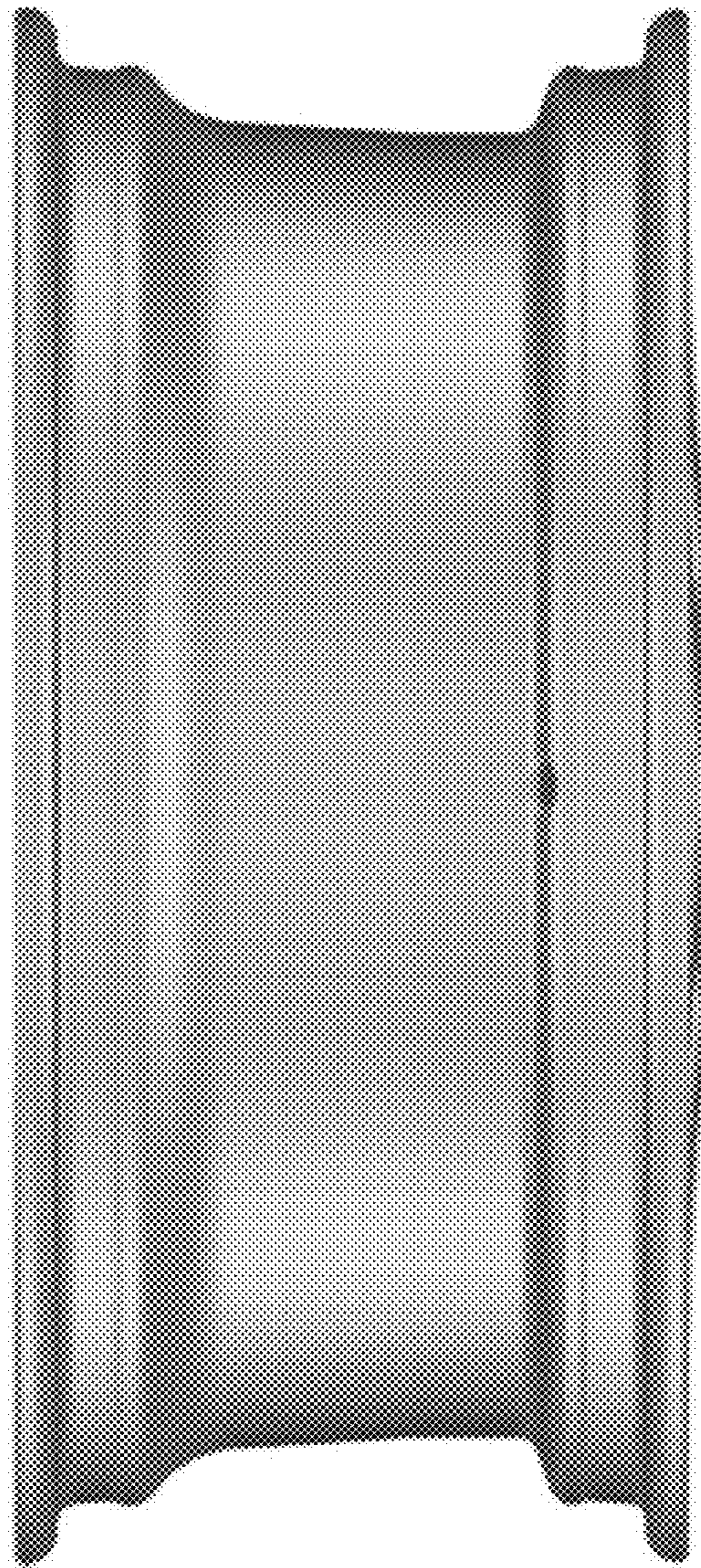


Fig. 8

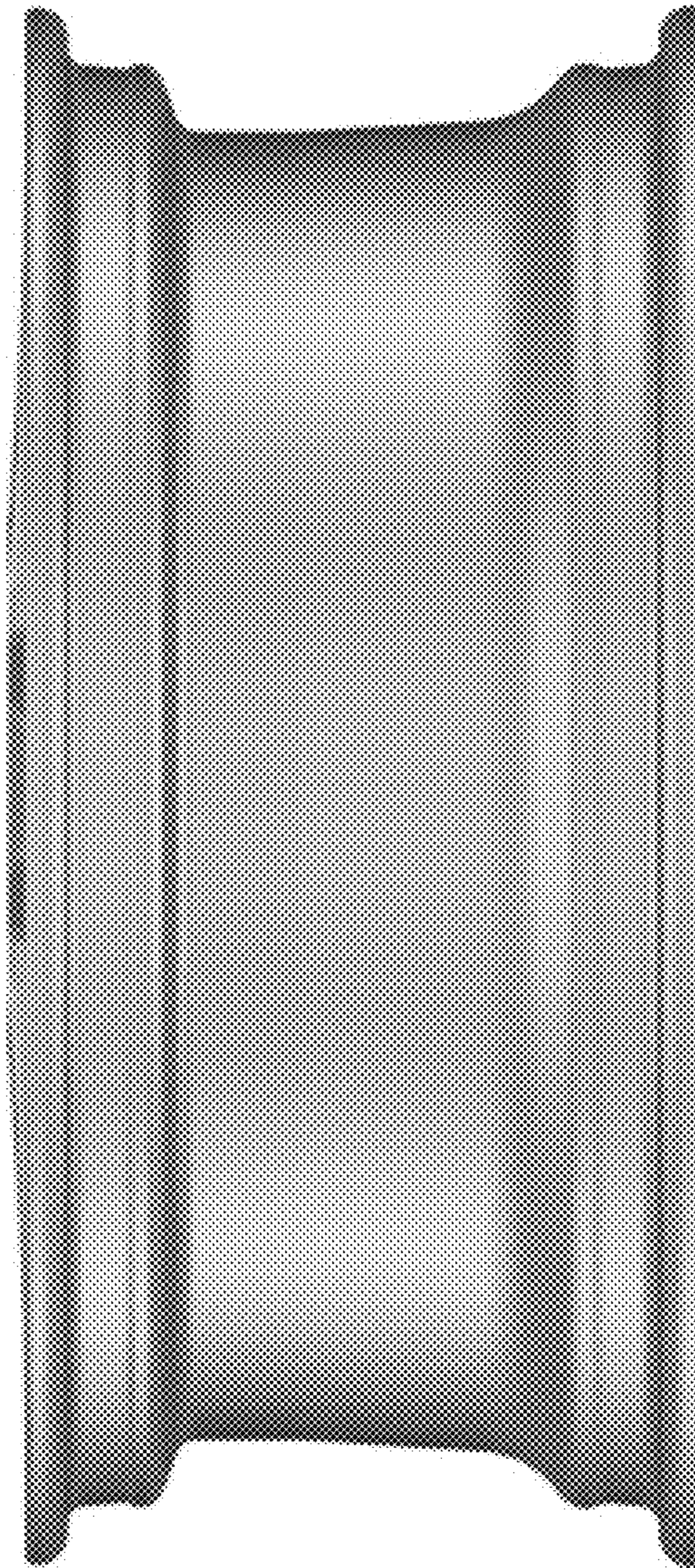


Fig. 9

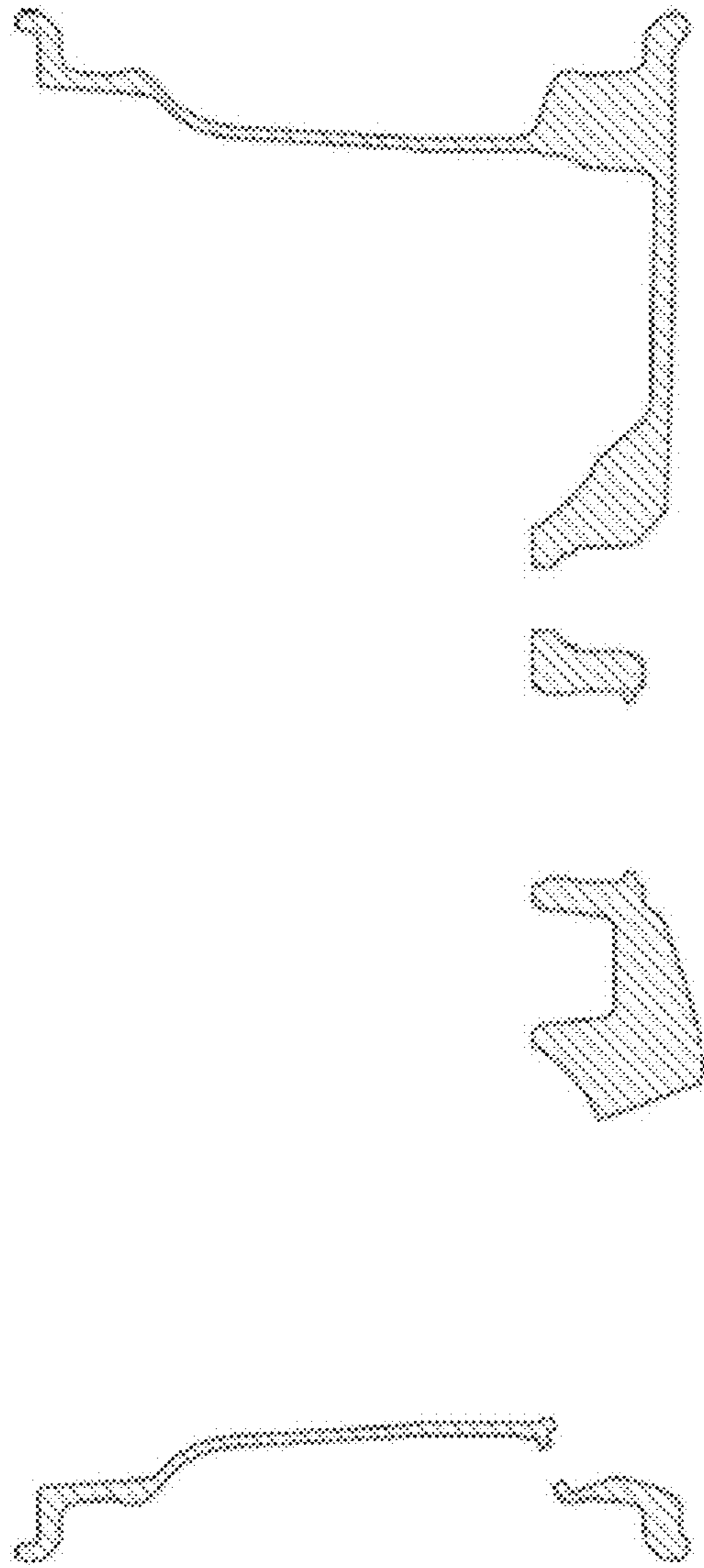


Fig. 10

