



US00D840311S

(12) **United States Design Patent**
Hilton et al.

(10) **Patent No.:** **US D840,311 S**

(45) **Date of Patent:** **** *Feb. 12, 2019**

(54) **VEHICLE WHEEL RIM**

(71) Applicant: **NEXTEV LIMITED**, Hong Kong (HK)

(72) Inventors: **David Hilton**, Hong Kong (HK); **Ben Payne**, Hong Kong (HK)

(*) Notice: This patent is subject to a terminal disclaimer.

(**) Term: **15 Years**

(21) Appl. No.: **29/591,728**

(22) Filed: **Jan. 23, 2017**

(30) **Foreign Application Priority Data**

Jul. 29, 2016 (EP) 003324532

(51) **LOC (11) Cl.** **12-16**

(52) **U.S. Cl.**
USPC **D12/209**

(58) **Field of Classification Search**
USPC D12/204–213; D21/563
CPC B60B 7/00; B60B 7/02; B60B 7/04; B60B 7/06; B60B 3/02; B60B 3/04; B60B 3/06; B60B 3/10; B60B 1/00; B60B 1/08; B60B 1/10; B60B 1/12
See application file for complete search history.

(56) **References Cited**

U.S. PATENT DOCUMENTS

D576,936 S * 9/2008 Imai D12/209
D617,243 S * 6/2010 Juergens D12/209
D626,052 S * 10/2010 Majdandzic D12/209
D695,187 S * 12/2013 Mielke D12/209

D727,235 S * 4/2015 Hans D12/211
D734,234 S * 7/2015 Juergens D12/209
D746,750 S * 1/2016 Curtis D12/209
D749,028 S * 2/2016 Henstridge D12/209
D760,139 S * 6/2016 Dionisopoulos D12/209
D766,153 S * 9/2016 Wheel D12/209
D797,635 S * 9/2017 Rueckheim D12/209
D800,625 S * 10/2017 Svensson D12/209

* cited by examiner

Primary Examiner — Sheryl Lane

Assistant Examiner — Calvin E Vansant

(74) *Attorney, Agent, or Firm* — Hogan Lovells US LLP

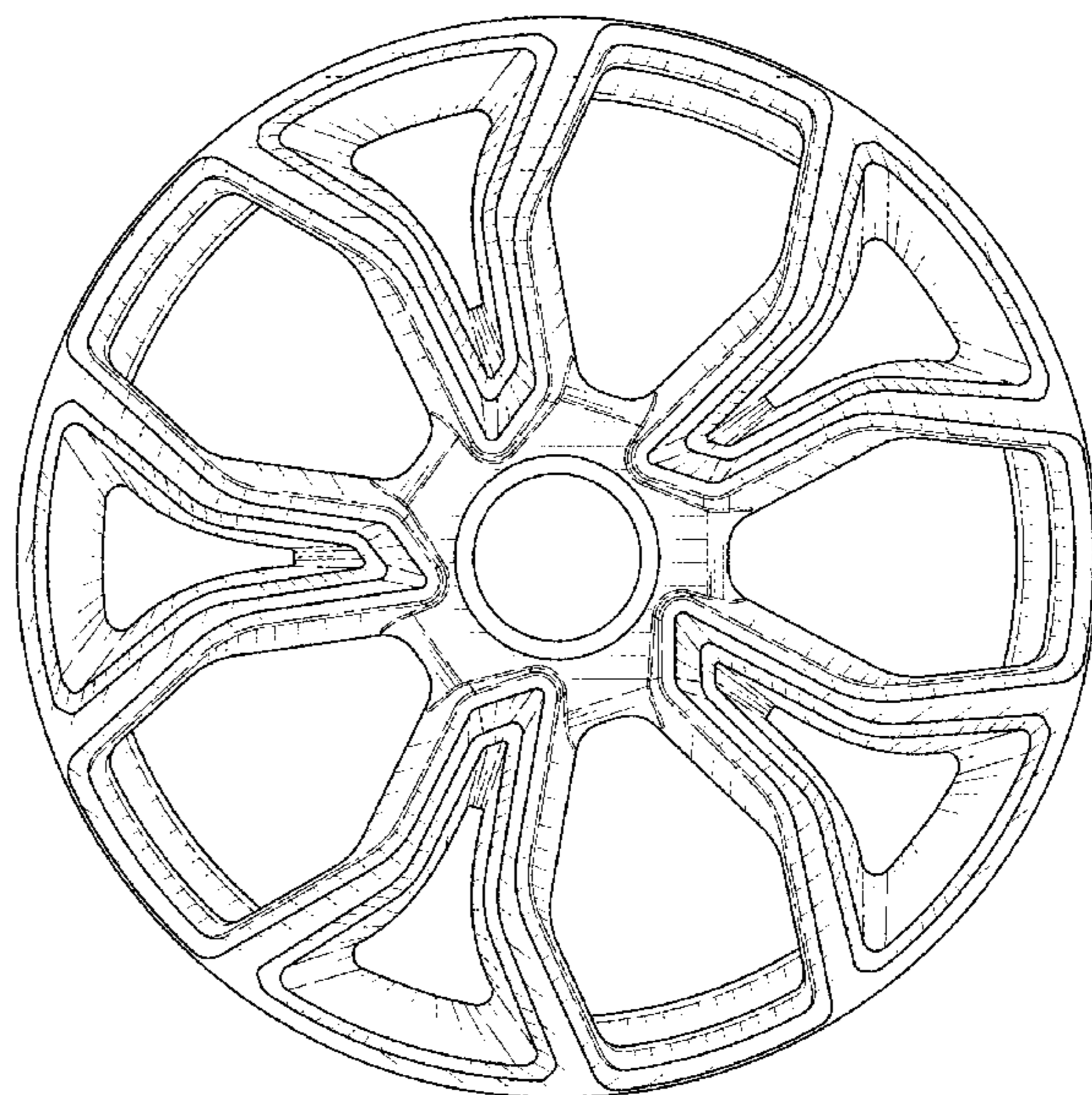
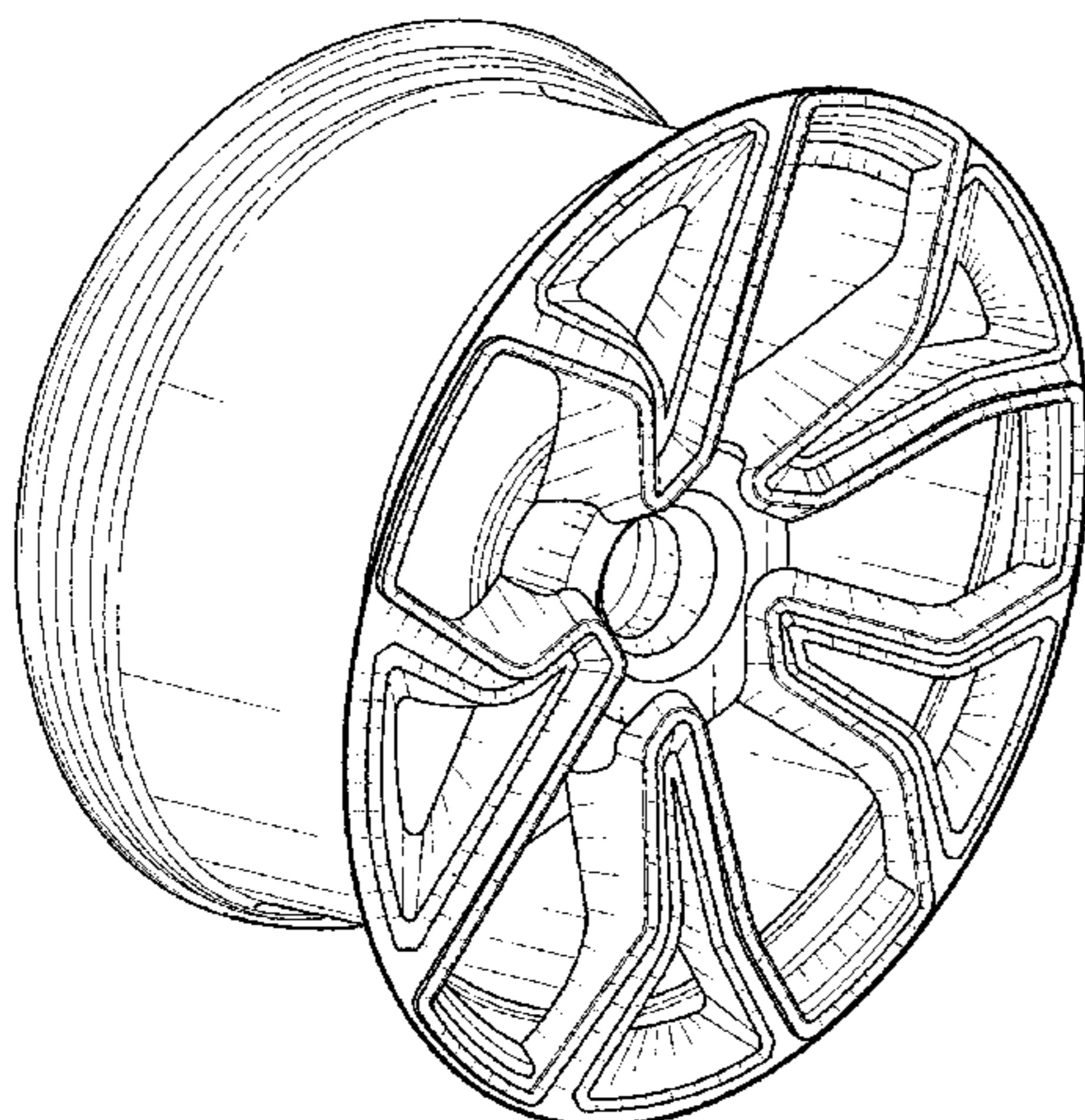
(57) **CLAIM**

The ornamental design for a vehicle wheel rim, as shown and described.

DESCRIPTION

FIG. 1 is a front perspective view of a vehicle wheel rim showing my new design;
FIG. 2 is a side thereof;
FIG. 3 is a perspective thereof;
FIG. 4 is a perspective view thereof; and,
FIG. 5 is a front thereof.

1 Claim, 5 Drawing Sheets



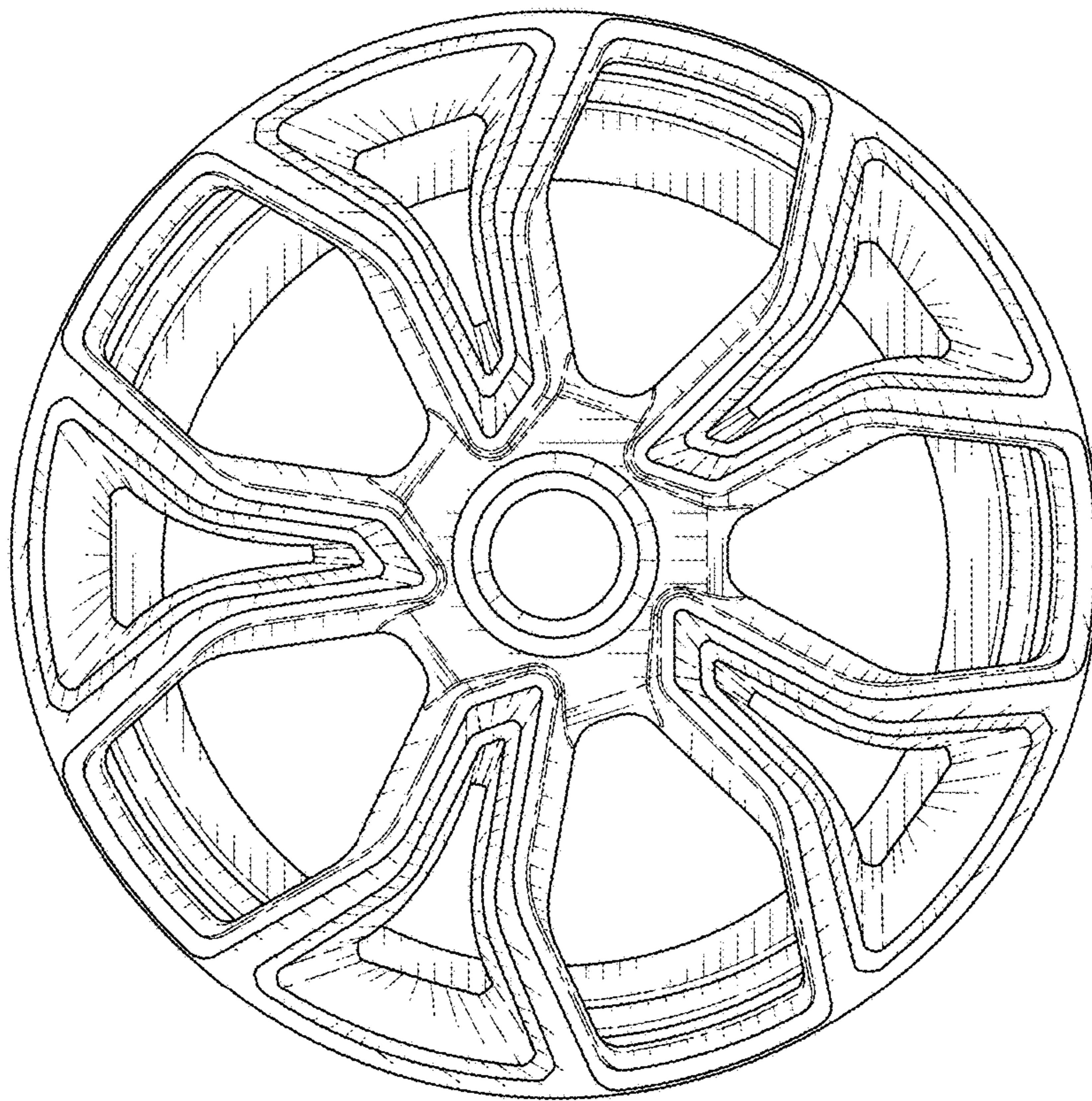


FIG. 1

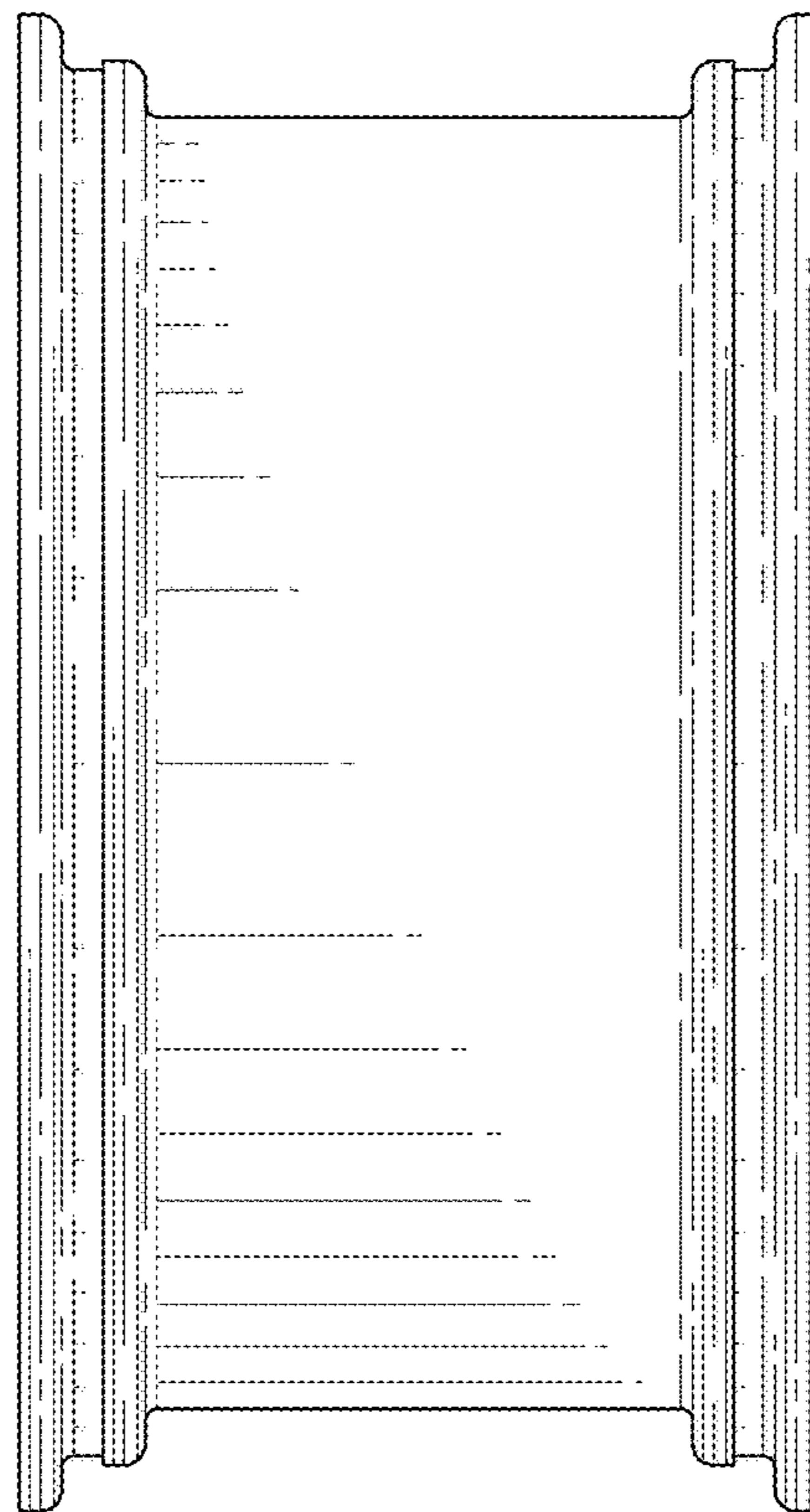


FIG. 2

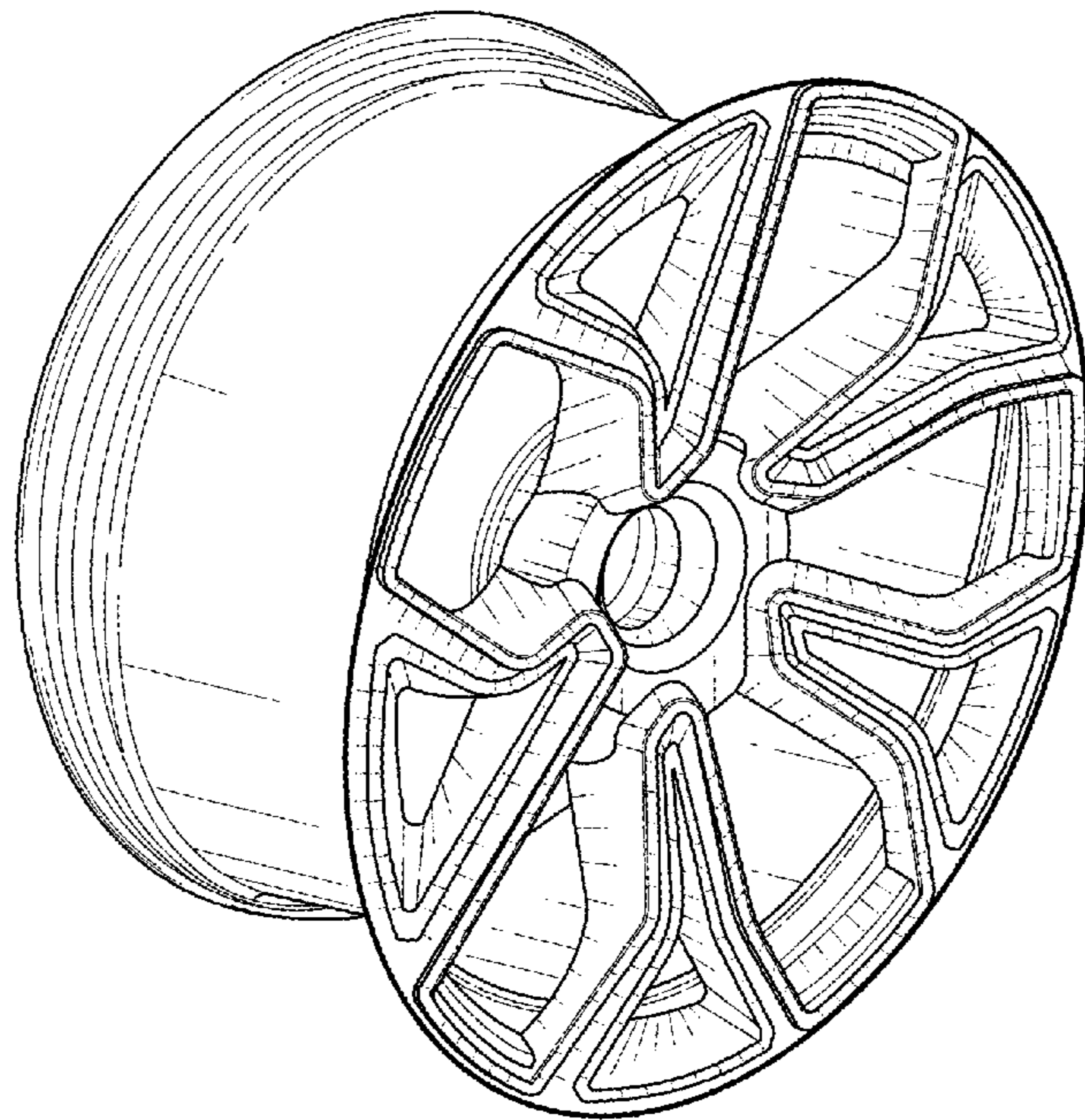


FIG. 3

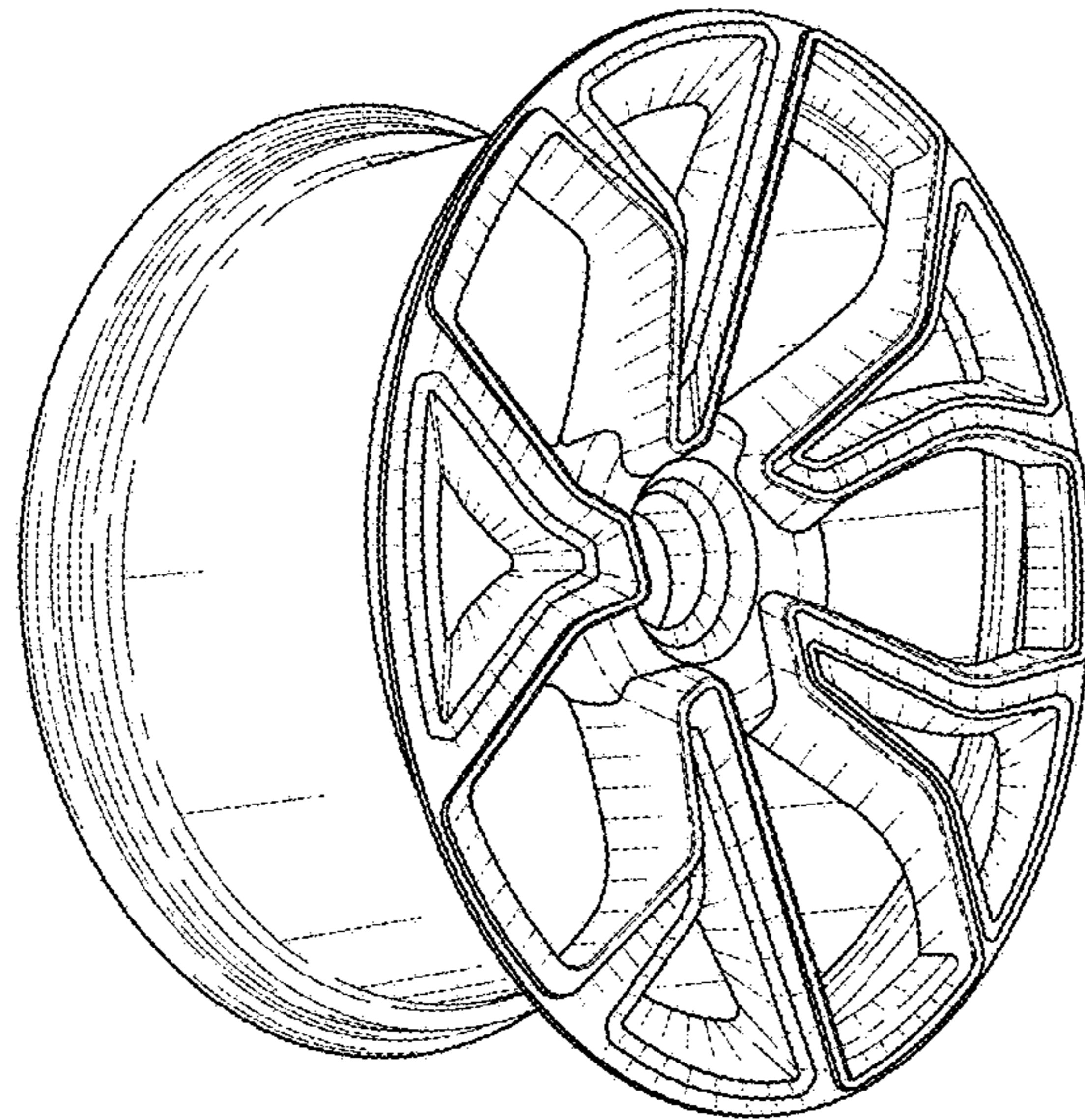


FIG. 4

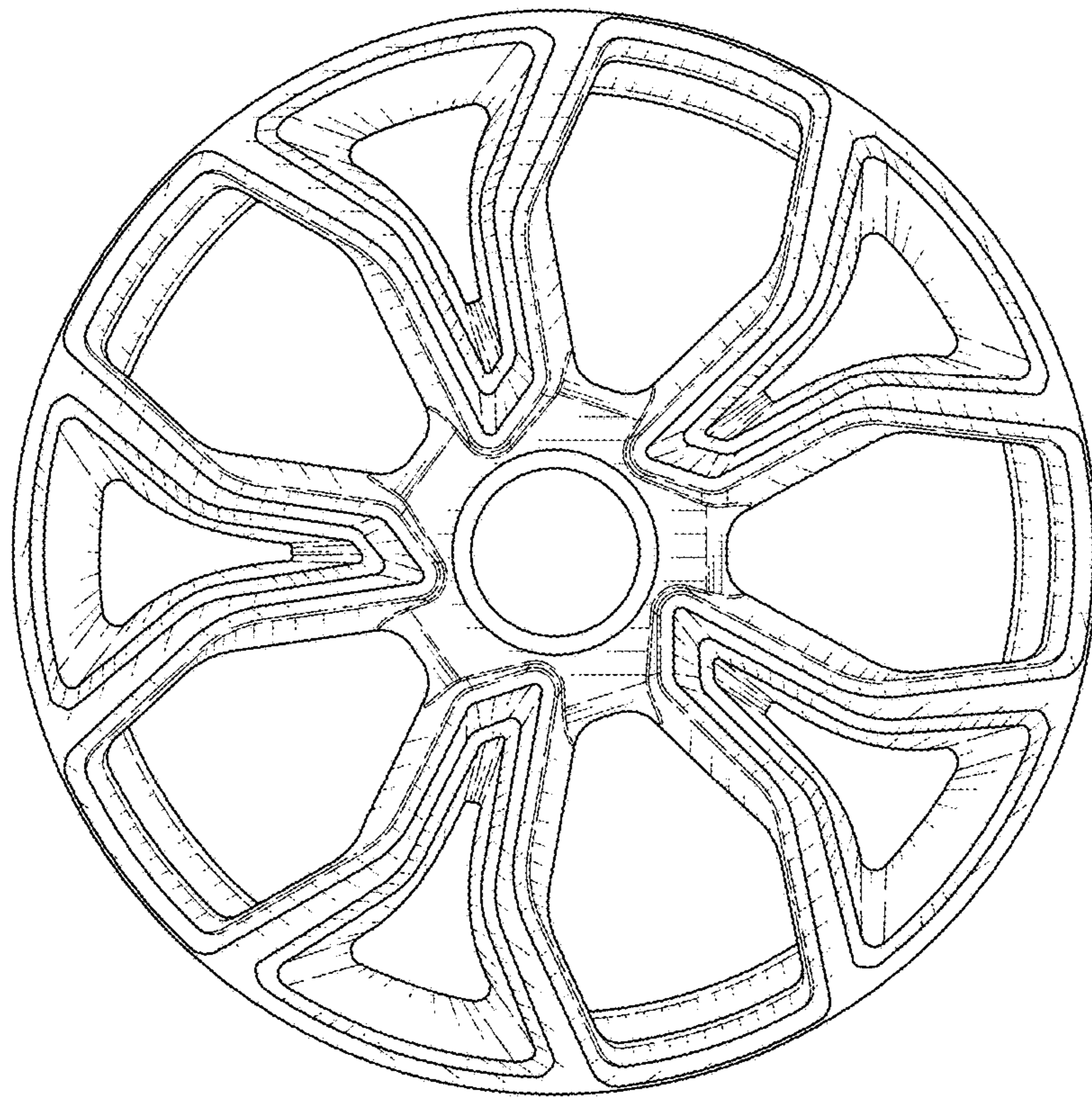


FIG. 5

UNITED STATES PATENT AND TRADEMARK OFFICE
CERTIFICATE OF CORRECTION

PATENT NO. : D840,311 S
APPLICATION NO. : 29/591728
DATED : February 12, 2019
INVENTOR(S) : David Hilton et al.

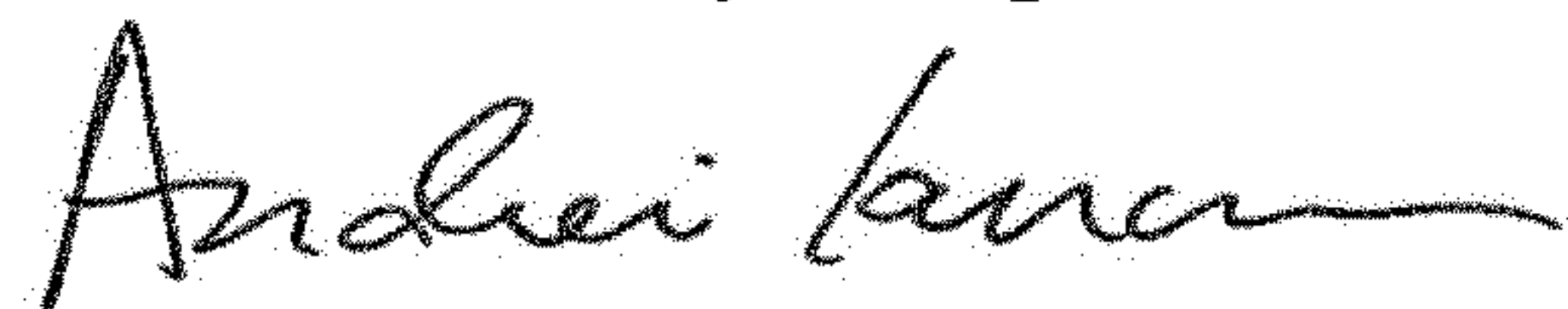
Page 1 of 1

It is certified that error appears in the above-identified patent and that said Letters Patent is hereby corrected as shown below:

On the Title Page

In ITEM (71):
Please change the Applicant to read as follows:
NIO NEXTEV LIMITED, Hong Kong (HK)

Signed and Sealed this
Thirtieth Day of April, 2019



Andrei Iancu
Director of the United States Patent and Trademark Office