



US00D840310S

(12) **United States Design Patent**  
**Zhao**

(10) **Patent No.:** **US D840,310 S**

(45) **Date of Patent:** **\*\* Feb. 12, 2019**

(54) **AUTOMOBILE WHEEL**

(71) Applicant: **WAH HUNG GROUP INC.**, Monterey Park, CA (US)

(72) Inventor: **John Zhao**, Monterey Park, CA (US)

(73) Assignee: **Wah Hung Group, Inc.**, Monterey Park, CA (US)

(\*\*) Term: **15 Years**

(21) Appl. No.: **29/554,451**

(22) Filed: **Feb. 11, 2016**

(51) **LOC (11) Cl.** ..... **12-16**

(52) **U.S. Cl.**  
USPC ..... **D12/209**

(58) **Field of Classification Search**  
USPC ..... D12/204–213; D21/533, 561, 563  
CPC .... B60B 7/00; B60B 7/02; B60B 7/04; B60B 7/06; B60B 3/02; B60B 3/04; B60B 3/06; B60B 3/10; B60B 1/00; B60B 1/08; B60B 1/10; B60B 1/12  
See application file for complete search history.

(56) **References Cited**

**U.S. PATENT DOCUMENTS**

D480,038 S *	9/2003	Oh	.....	D12/211
D501,440 S *	2/2005	Pfeiffer	.....	D12/211
D603,778 S *	11/2009	Chung	.....	D12/211
D684,518 S *	6/2013	Zhao	.....	D12/211
D726,621 S	4/2015	Alfonso		
D741,241 S *	10/2015	Hale, Jr.	.....	D12/211
D741,775 S *	10/2015	Zhao	.....	D12/211
D742,295 S *	11/2015	Zhao	.....	D12/211
D751,966 S *	3/2016	Zhao	.....	D12/211
D781,203 S *	3/2017	Chung	.....	D12/211
D784,235 S *	4/2017	Kim	.....	D12/211

D786,160 S *	5/2017	Youssef	.....	D12/211
D786,768 S *	5/2017	Youssef	.....	D12/211
D815,578 S *	4/2018	Zhao	.....	D12/211

**OTHER PUBLICATIONS**

- U.S. Appl. No. 29/508,262, Ernie Alfonso; filed Nov. 4, 2014.
- U.S. Appl. No. 29/508,266, Ernie Alfonso, filed Nov. 4, 2014.
- U.S. Appl. No. 29/508,268, Ernie Alfonso, filed Nov. 4, 2014.
- U.S. Appl. No. 29/508,269, Ernie Alfonso, filed Nov. 4, 2014.
- U.S. Appl. No. 29/508,270, Ernie Alfonso, filed Nov. 4, 2014.
- U.S. Appl. No. 29/508,271, Ernie Alfonso, filed Nov. 4, 2014.
- U.S. Appl. No. 29/544,270, filed Nov. 2, 2015, Ernie Alfonso.
- U.S. Appl. No. 29/544,262, filed Nov. 2, 2015; Ernie Alfonso.
- U.S. Appl. No. 29/544,267, filed Nov. 2, 2015, Ernie Alfonso.
- U.S. Appl. No. 29/544,268, filed Nov. 2, 2015, Ernie Alfonso.
- U.S. Appl. No. 29/544,272, filed Nov. 2, 2015, Ernie Alfonso.

\* cited by examiner

*Primary Examiner* — Sheryl Lane

*Assistant Examiner* — Calvin E Vansant

(74) *Attorney, Agent, or Firm* — Payam Moradian

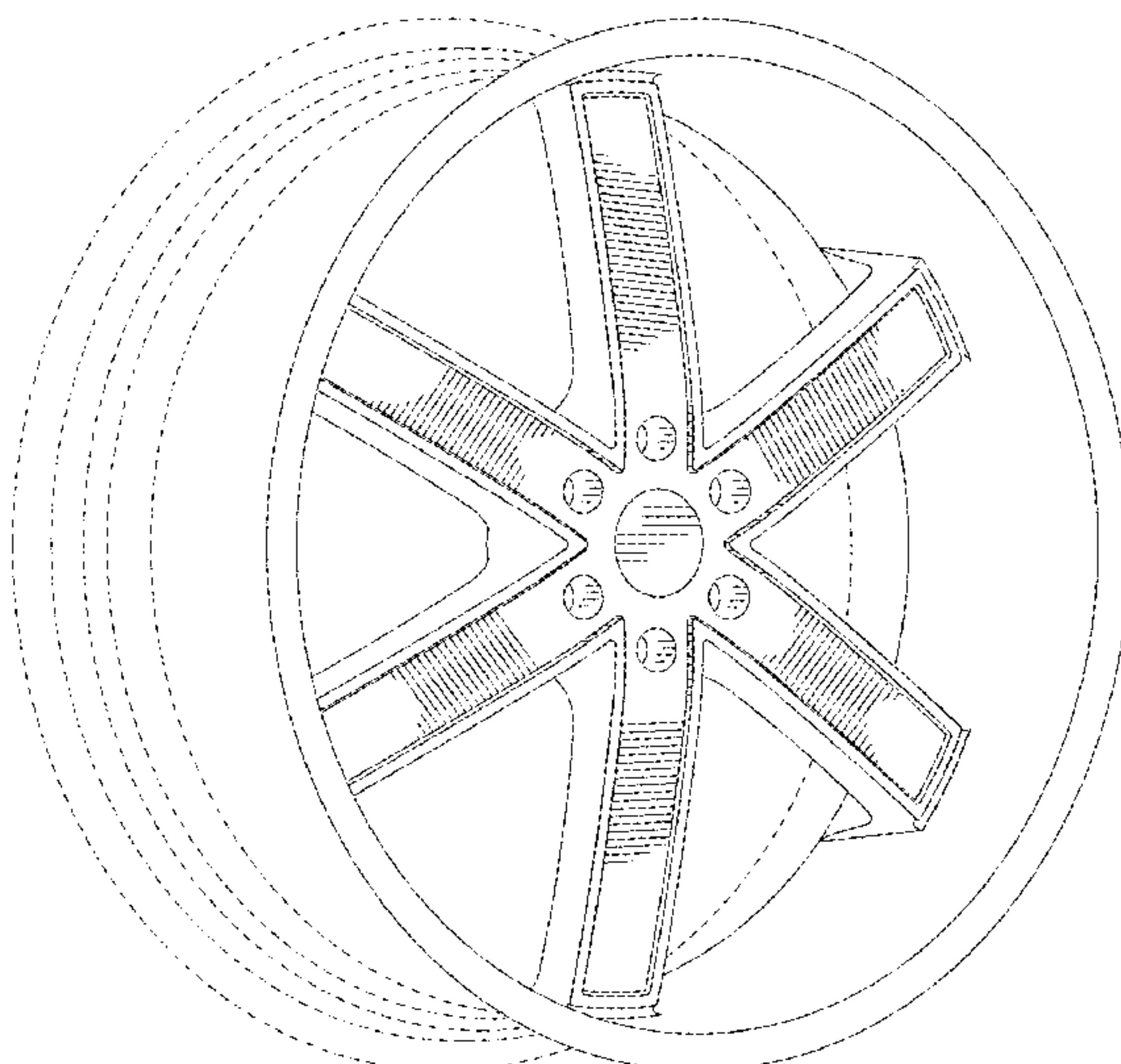
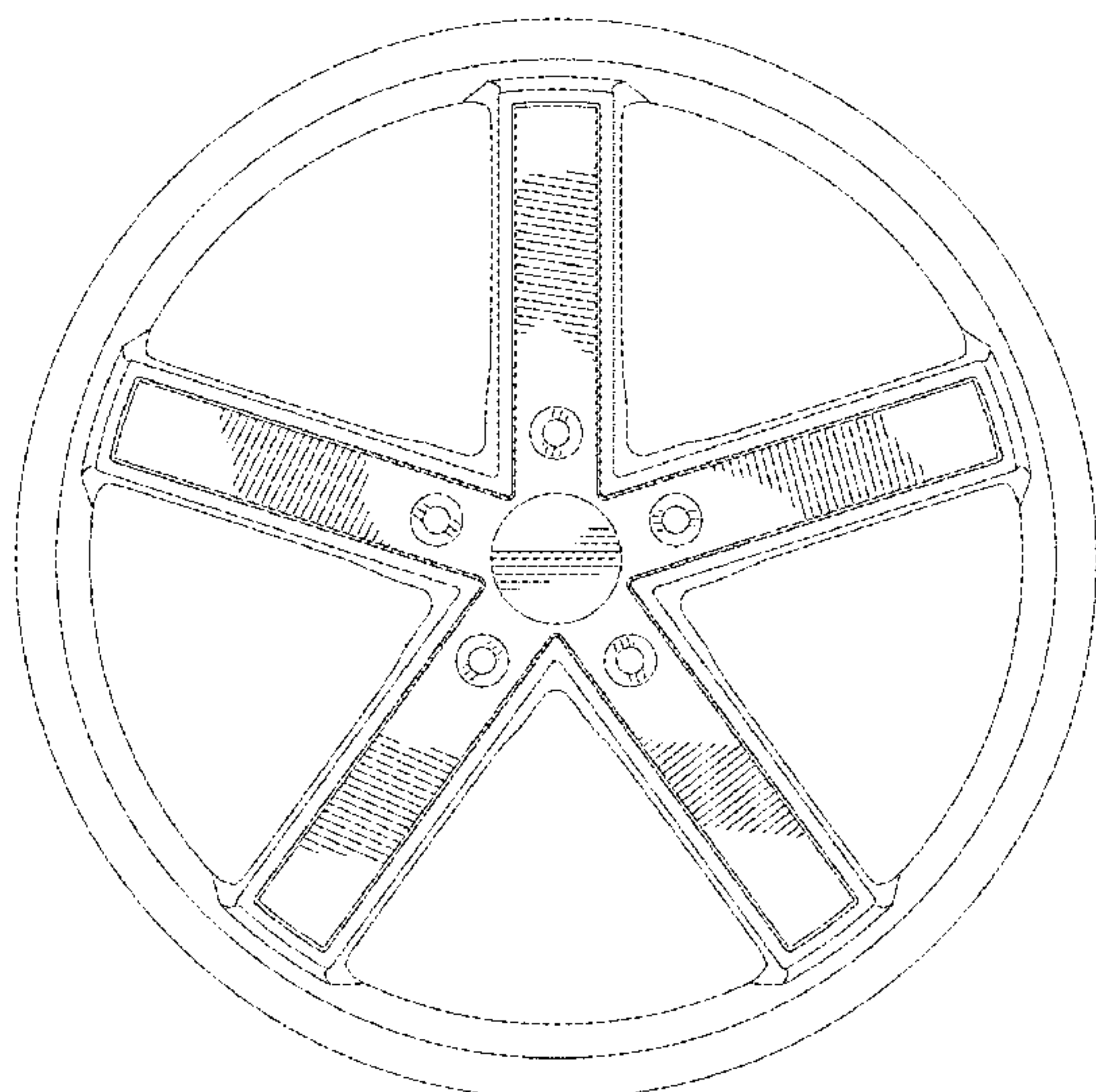
(57) **CLAIM**

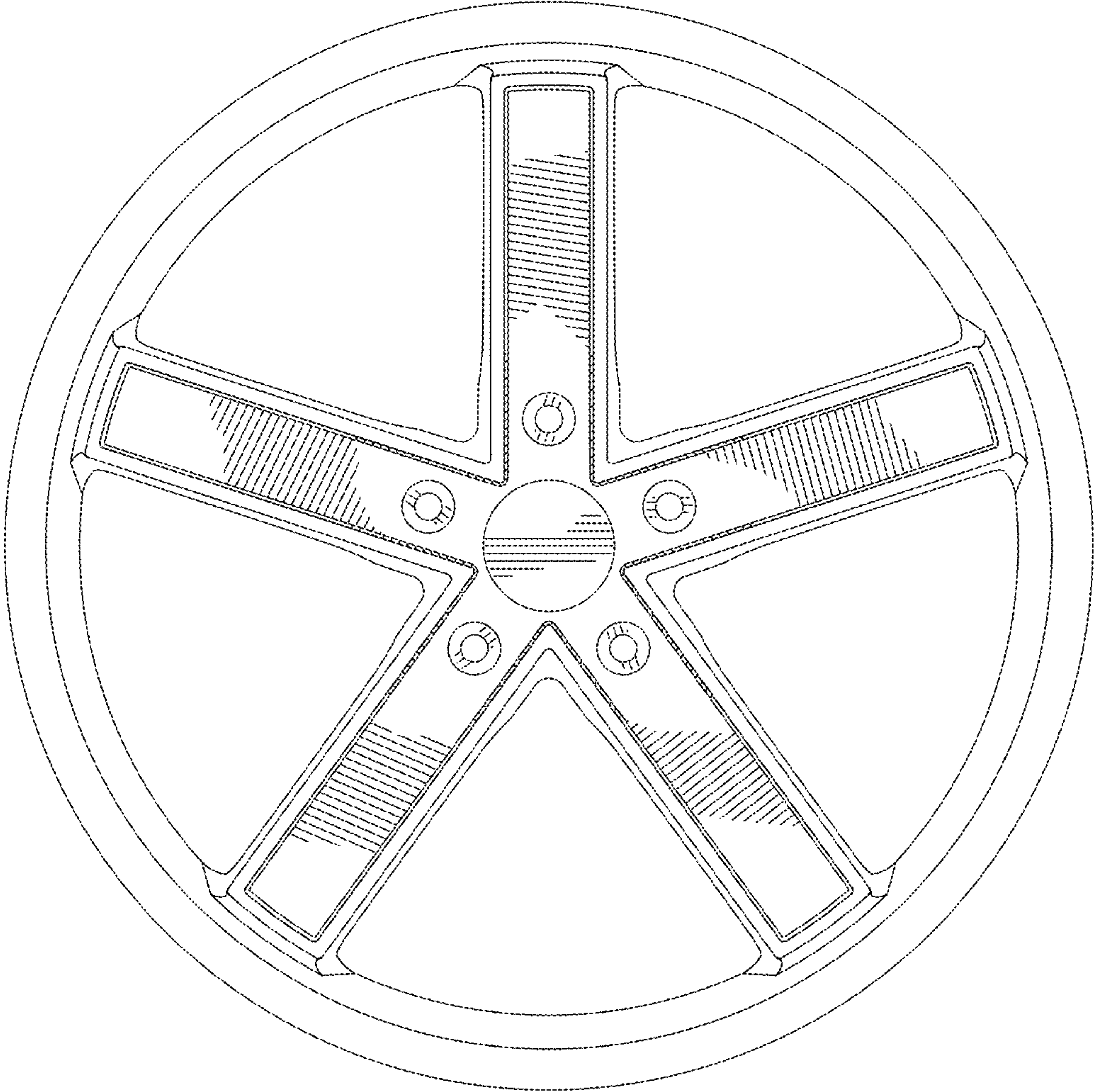
I claim the ornamental design for an automobile wheel, as shown and described.

**DESCRIPTION**

FIG. 1 is a front elevational view of an automobile wheel with five spokes;  
 FIG. 2 is a perspective view thereof;  
 FIG. 3 is a front elevational-view of an alternative embodiment of an automobile wheel with six spokes; and,  
 FIG. 4 is a perspective view thereof.  
 The broken lines in the drawings of the automobile wheel are for showing portions of the automobile wheel and form no part of the claimed design.

**1 Claim, 4 Drawing Sheets**





*FIG. 1*



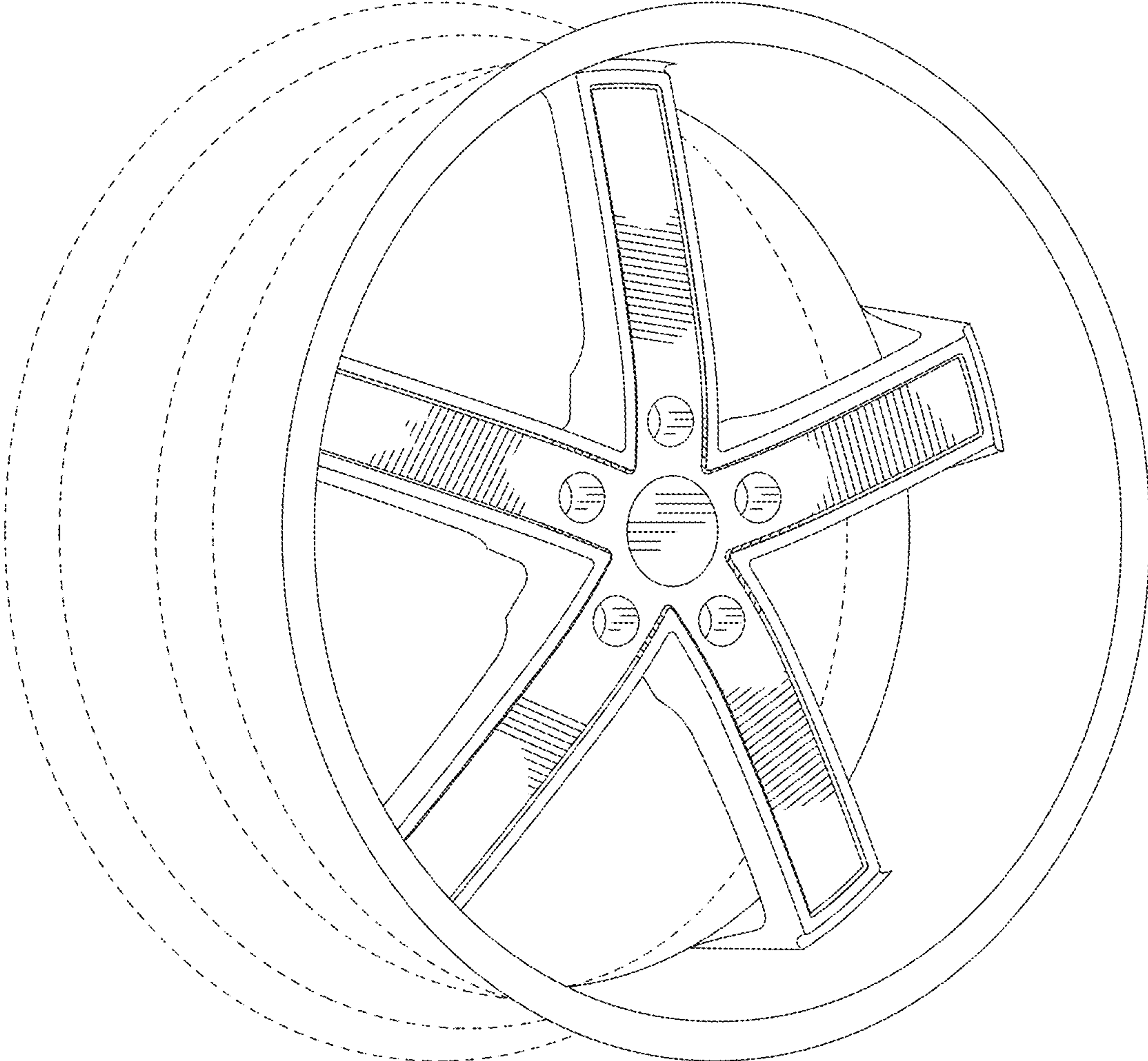
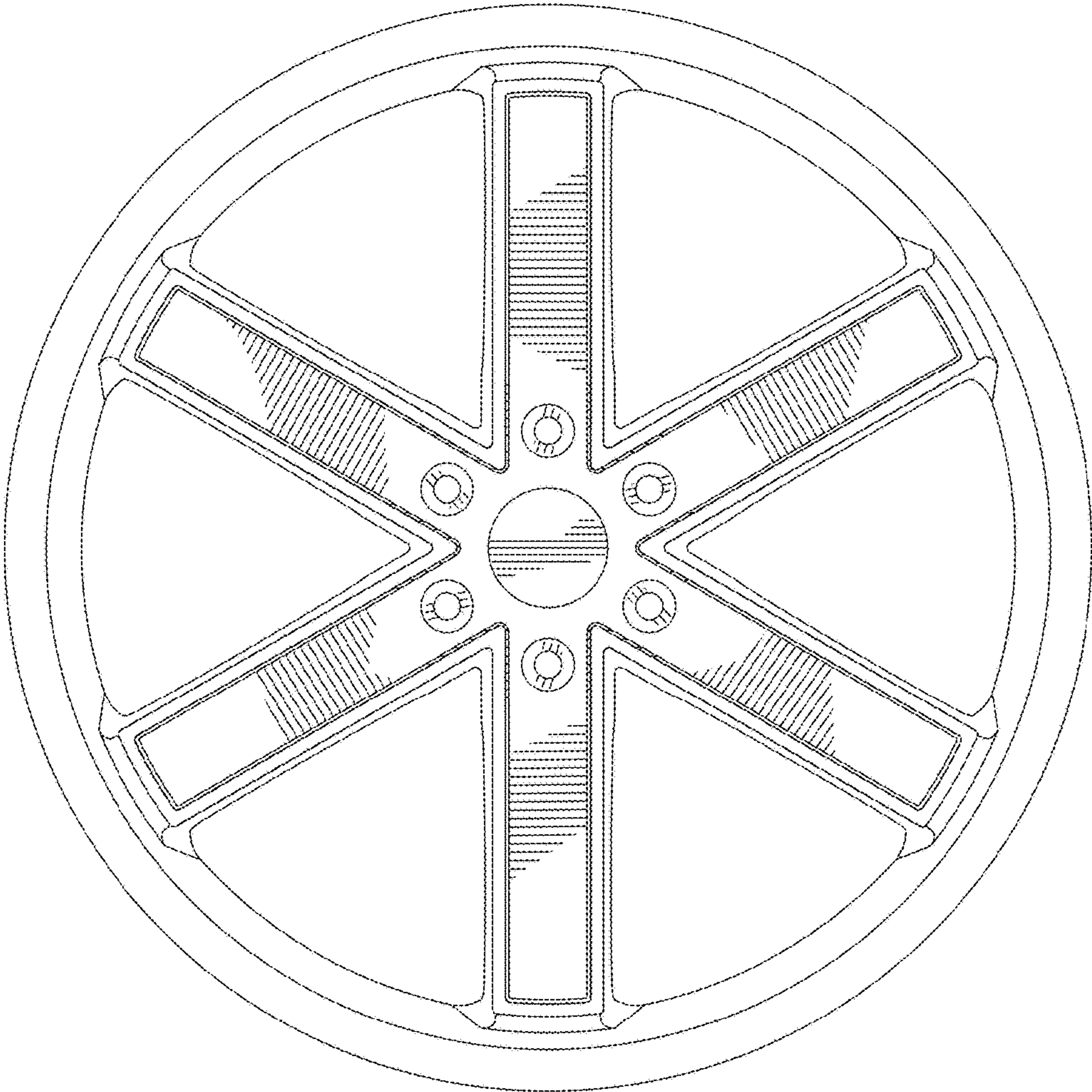
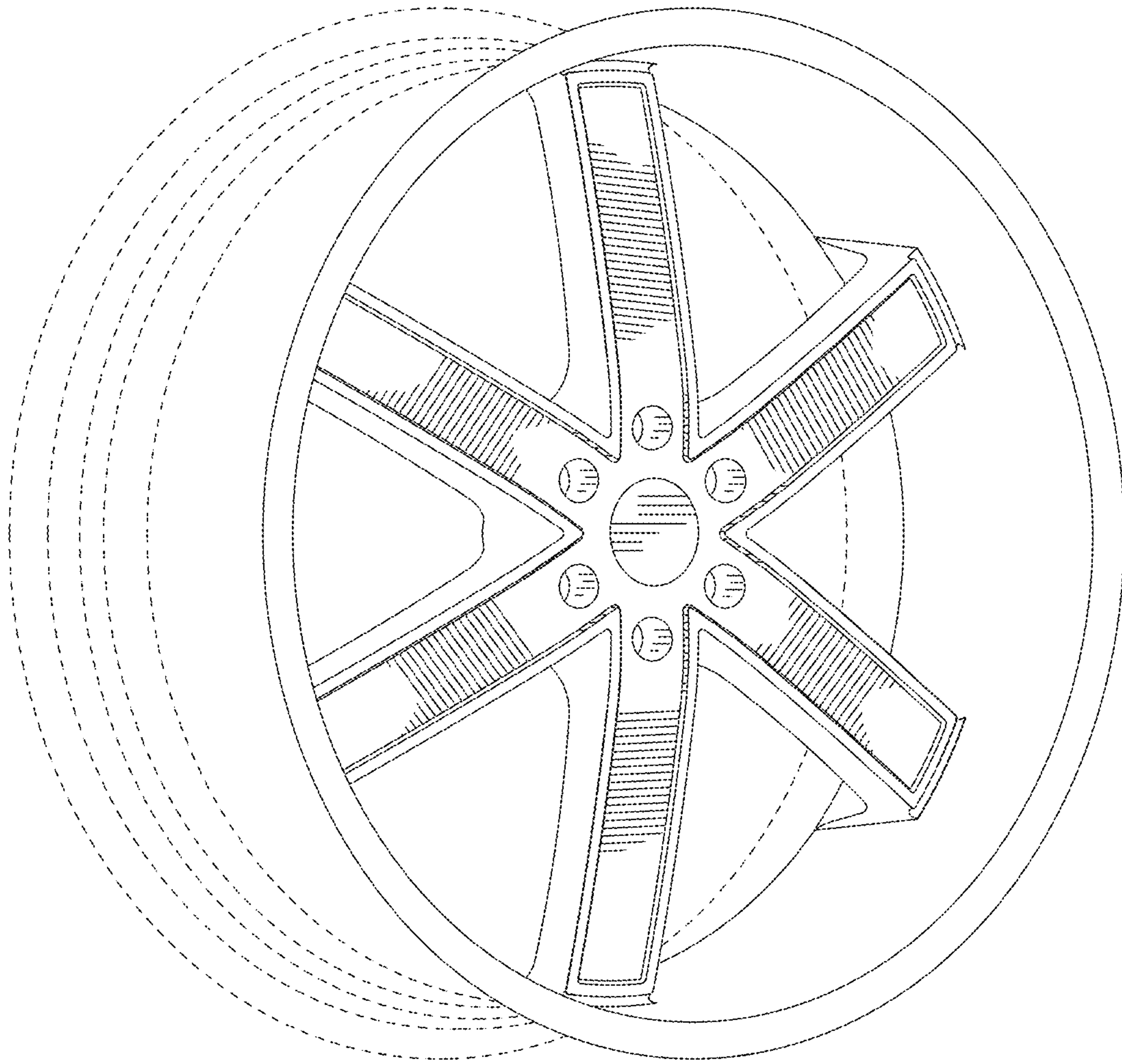


FIG.2



**FIG.3**



**FIG. 4**