



US00D840308S

(12) **United States Design Patent** (10) **Patent No.:** **US D840,308 S**
Schneider (45) **Date of Patent:** **** Feb. 12, 2019**

(54) **TAILGATE FOR A VEHICLE**
(71) Applicant: **Bayerische Motoren Werke Aktiengesellschaft, Munich (DE)**
(72) Inventor: **Alexander Schneider, Munich (DE)**
(73) Assignee: **Bayerische Motoren Werke Aktiengesellschaft, Munich (DE)**

D797,632 S * 9/2017 Zipfel D12/196
D799,375 S * 10/2017 Zavatski D12/91
D799,376 S * 10/2017 Telaak D12/91
D801,858 S * 11/2017 Hagino D12/91
D801,861 S * 11/2017 Hubers D12/91
D801,862 S * 11/2017 Brendel D12/91
D802,478 S * 11/2017 Perkins D12/91
D802,482 S * 11/2017 Sterner D12/91
D803,123 S * 11/2017 Granlund D12/196

(Continued)

(**) Term: **15 Years**

FOREIGN PATENT DOCUMENTS

(21) Appl. No.: **29/637,229**

WO WO DM/064917 3/2004
WO WO DM/080113 8/2013
WO WO DM/094978 8/2017

(22) Filed: **Feb. 15, 2018**

Primary Examiner — Susan Bennett Hattan

(30) **Foreign Application Priority Data**

Assistant Examiner — Suzanne E Tisdell

Aug. 24, 2017 (DE) 40 2017 100 943

(74) *Attorney, Agent, or Firm* — Crowell & Moring LLP

(51) **LOC (11) Cl.** **12-16**

(57) **CLAIM**

(52) **U.S. Cl.**
USPC **D12/196**

The ornamental design for a tailgate for a vehicle, as shown and described.

(58) **Field of Classification Search**
USPC D12/86, 90, 91, 92, 163, 169, 171, 183, D12/196, 216

DESCRIPTION

CPC B62D 24/02; B62D 25/00; B62D 25/003; B62D 25/02; B62D 25/08; B62D 33/0273; B62D 33/03; B62D 33/037
See application file for complete search history.

This application contains subject matter related to the following co-pending U.S. design patent applications: Application Ser. No. 29/594,691, filed Feb. 22, 2017 and entitled "Tailgate for a Vehicle"; and Application Ser. No. 29/637,226, filed herewith and entitled "Vehicle, Toy, and/or Replicas Thereof".

(56) **References Cited**

U.S. PATENT DOCUMENTS

D494,913 S 8/2004 Chapman
D499,357 S * 12/2004 Velazco D12/91
D663,665 S * 7/2012 Hakamata D12/196
D736,128 S * 8/2015 Blanski D12/196
D749,480 S * 2/2016 Yu D12/196
D766,795 S * 9/2016 Kim D12/196
D783,482 S * 4/2017 Smith D12/196
D788,644 S * 6/2017 Mueller D12/91
D788,645 S * 6/2017 Mueller D12/91
D790,400 S * 6/2017 Zavatski D12/91

FIG. 1 is a front view of a tailgate for a vehicle according to the design;

FIG. 2 is a left, front perspective view thereof;

FIG. 3 is a right, front perspective view thereof;

FIG. 4 is a left side view thereof;

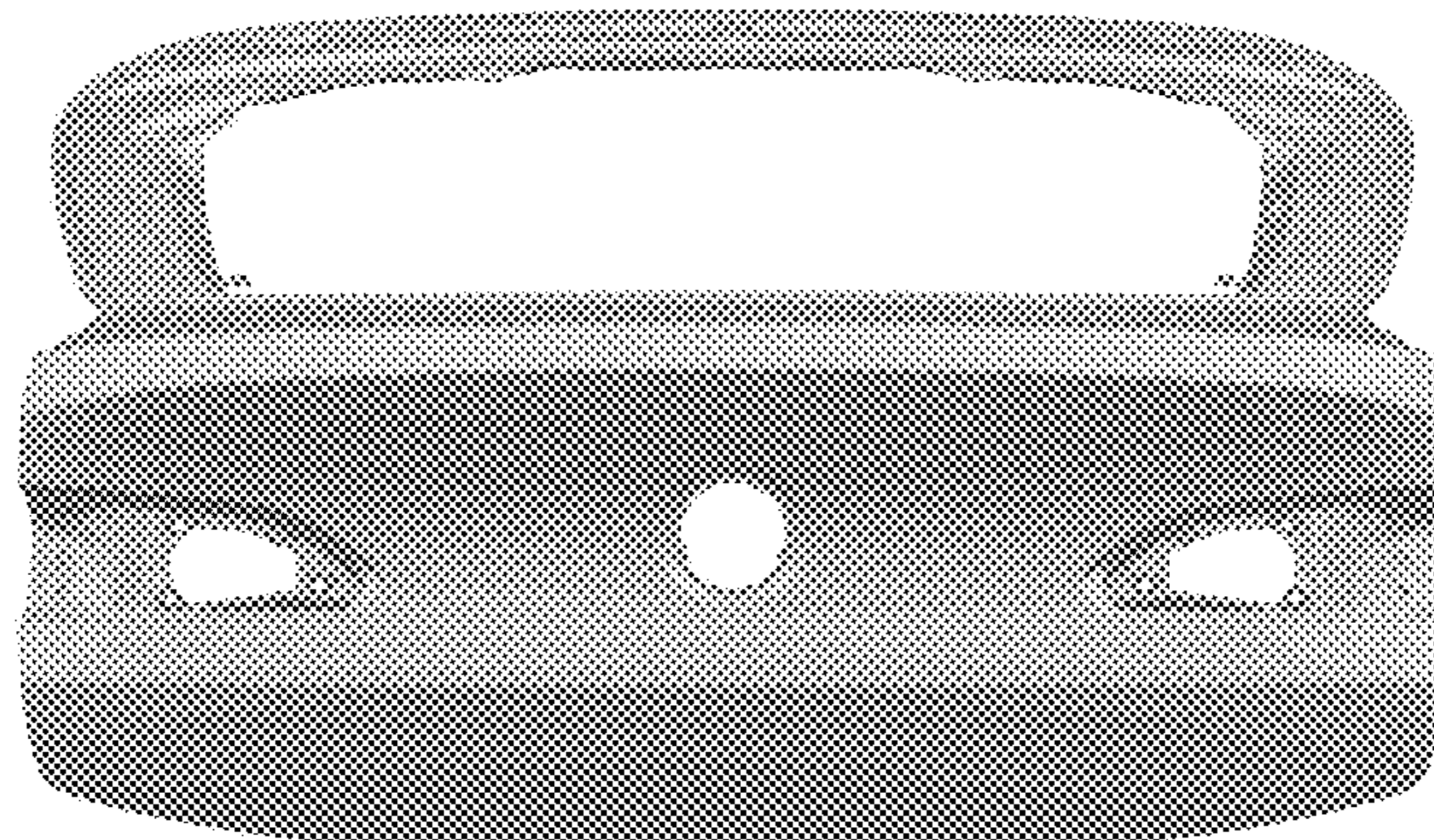
FIG. 5 is a right side view thereof;

FIG. 6 is a top view thereof;

FIG. 7 is a bottom view thereof; and,

FIG. 8 is a rear view thereof.

1 Claim, 8 Drawing Sheets



(56)

References Cited

U.S. PATENT DOCUMENTS

D804,359 S * 12/2017 Ishii D12/91
D805,433 S * 12/2017 Scheinhutte D12/91
D805,434 S * 12/2017 Bischoff D12/91
D805,959 S * 12/2017 Wheel D12/91
D805,985 S * 12/2017 Nakamura D12/196
D807,227 S * 1/2018 Chen D12/91
D807,228 S * 1/2018 Woolley D12/91
D807,788 S * 1/2018 Hatton D12/91
D808,321 S * 1/2018 Kim D12/196
2017/0210428 A1 * 7/2017 Hallik B60R 19/34

* cited by examiner

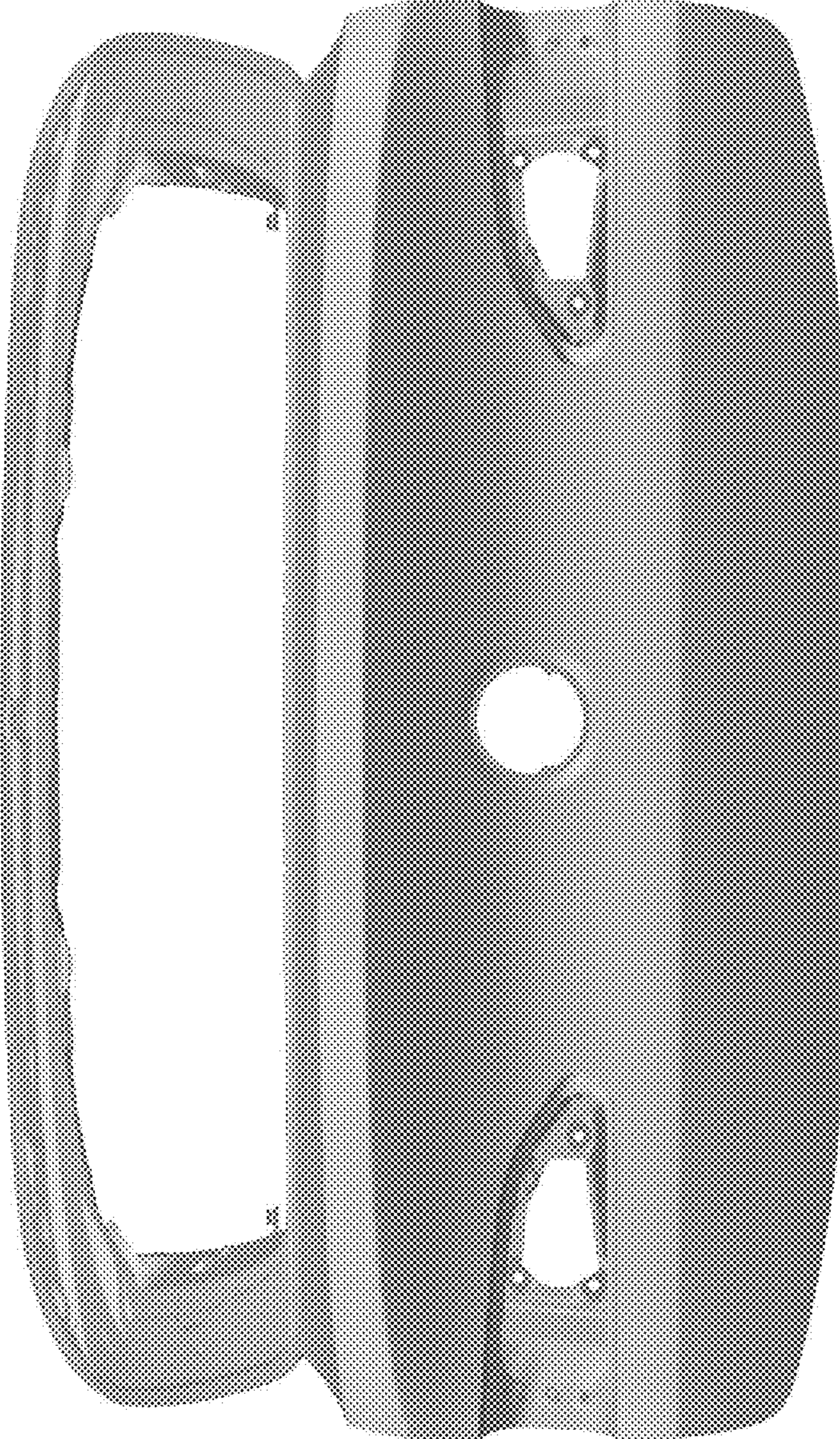


Fig. 1



Fig. 2

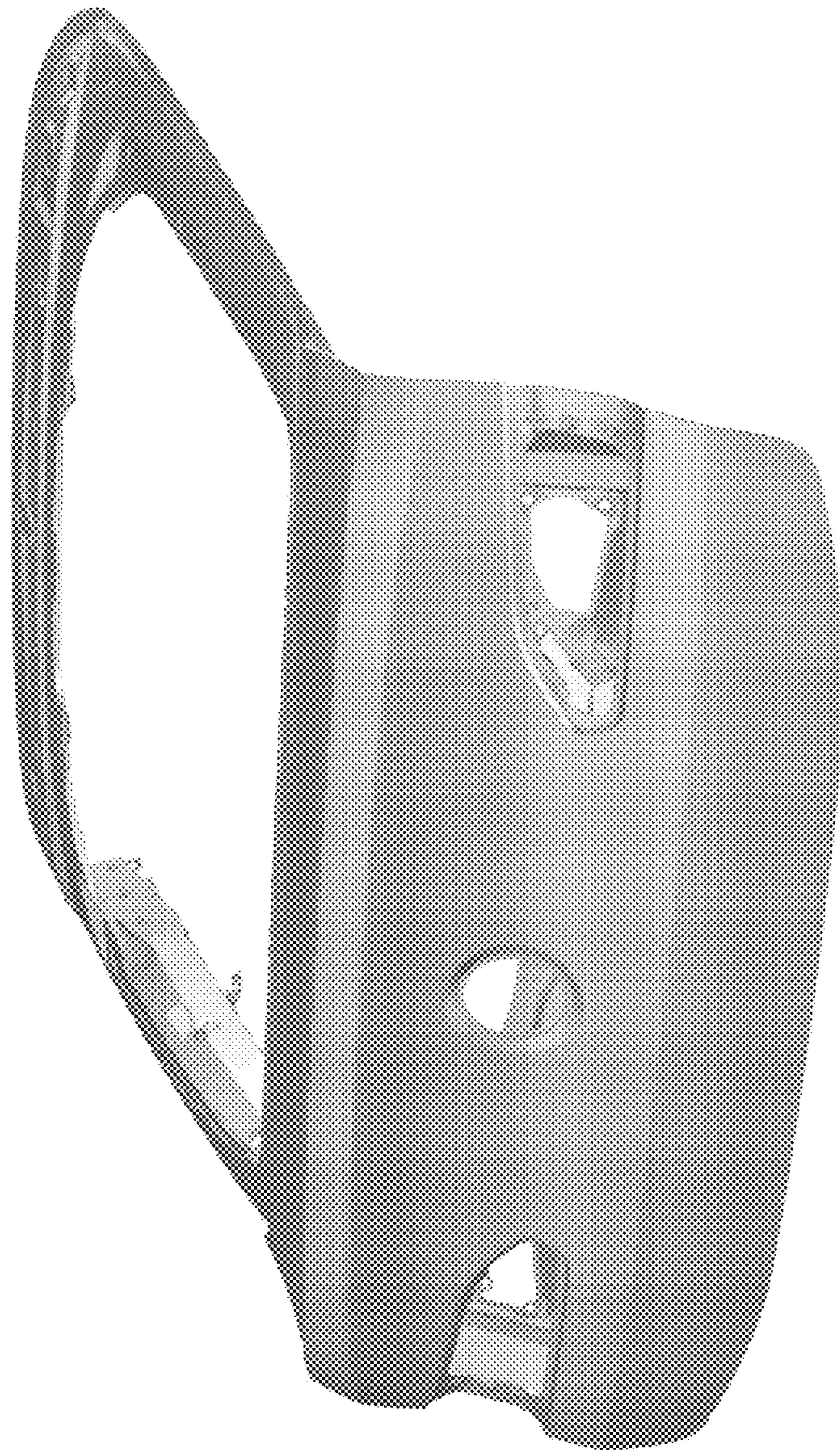


Fig. 3



Fig. 4

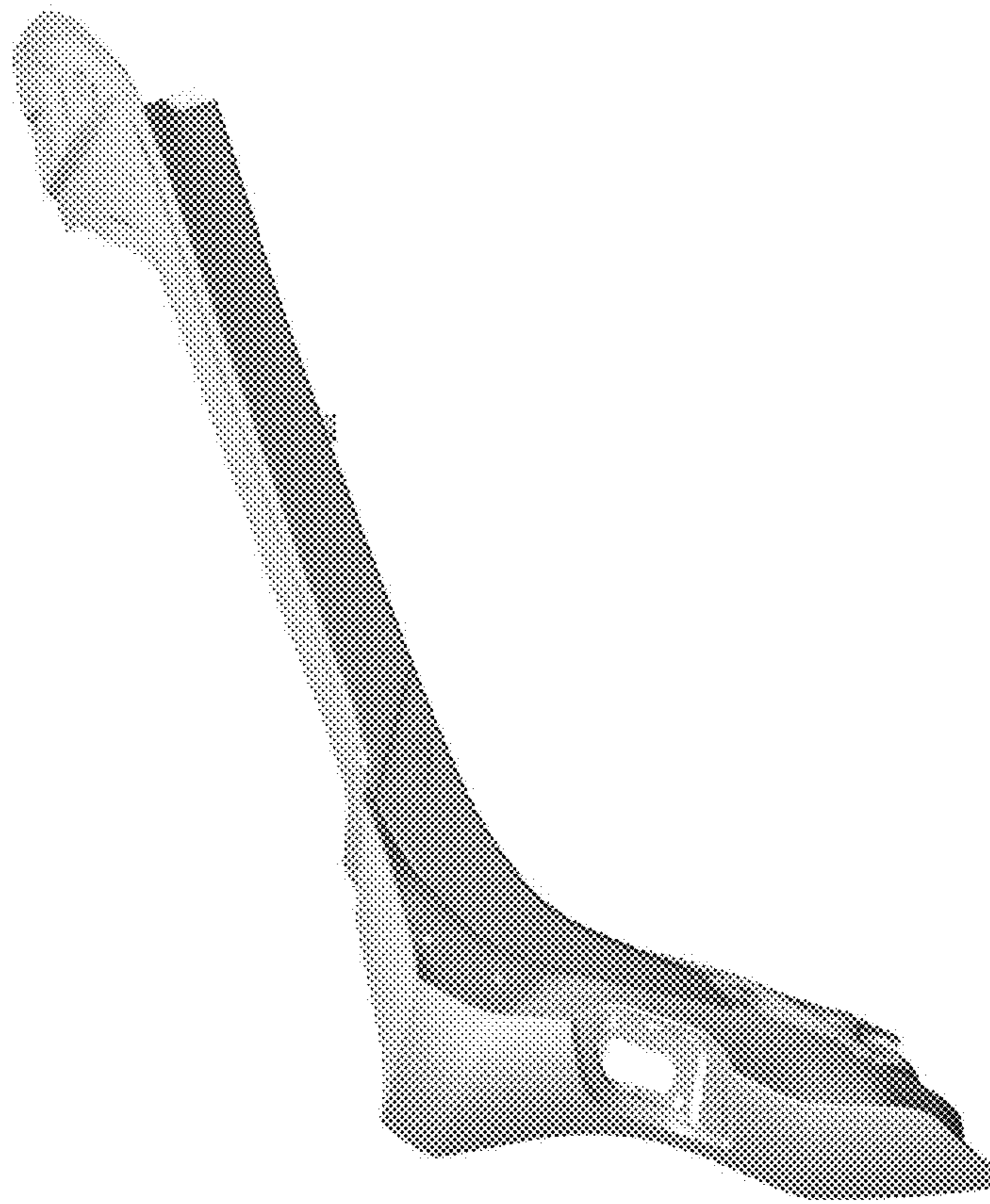


Fig. 5

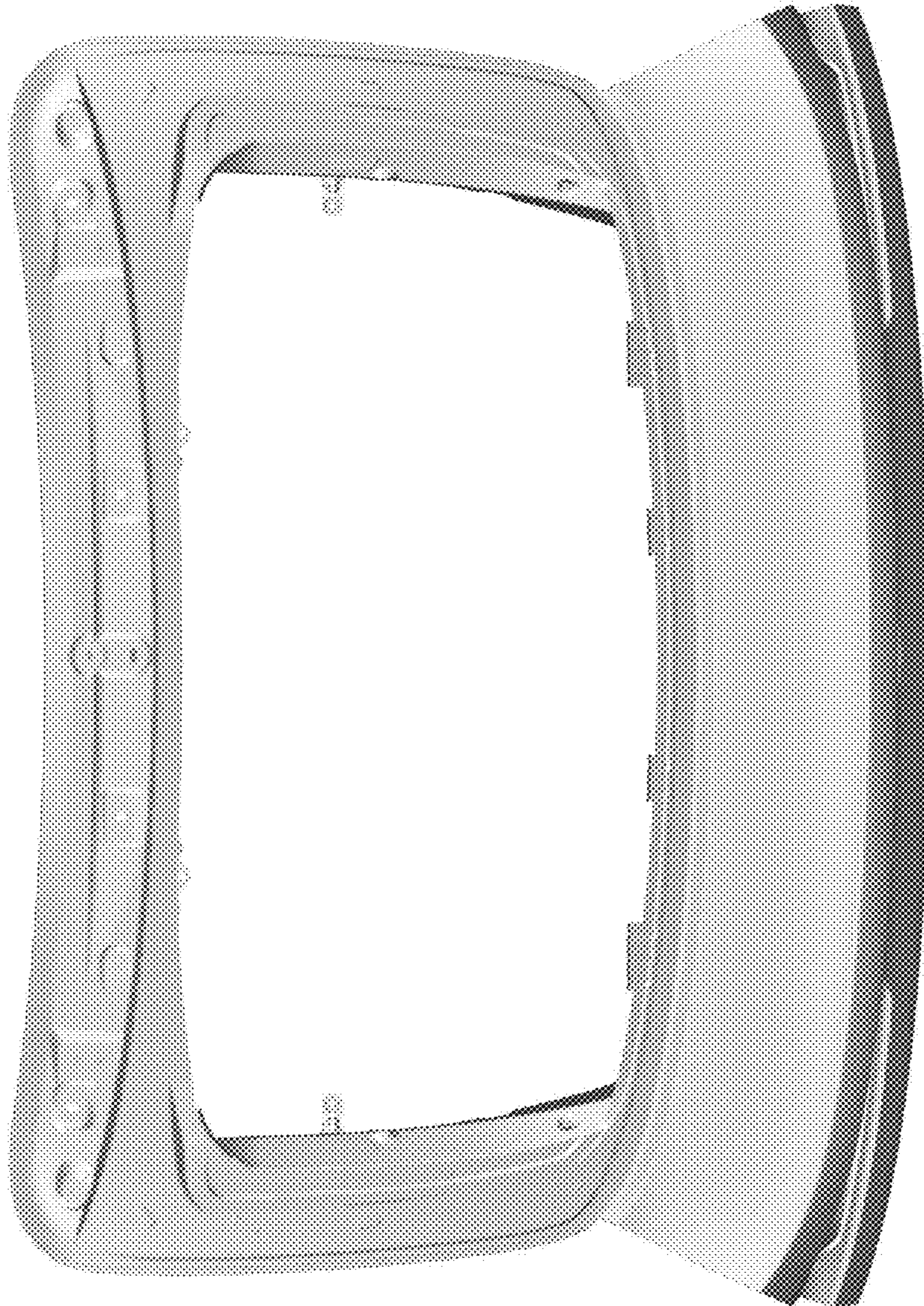


Fig. 6

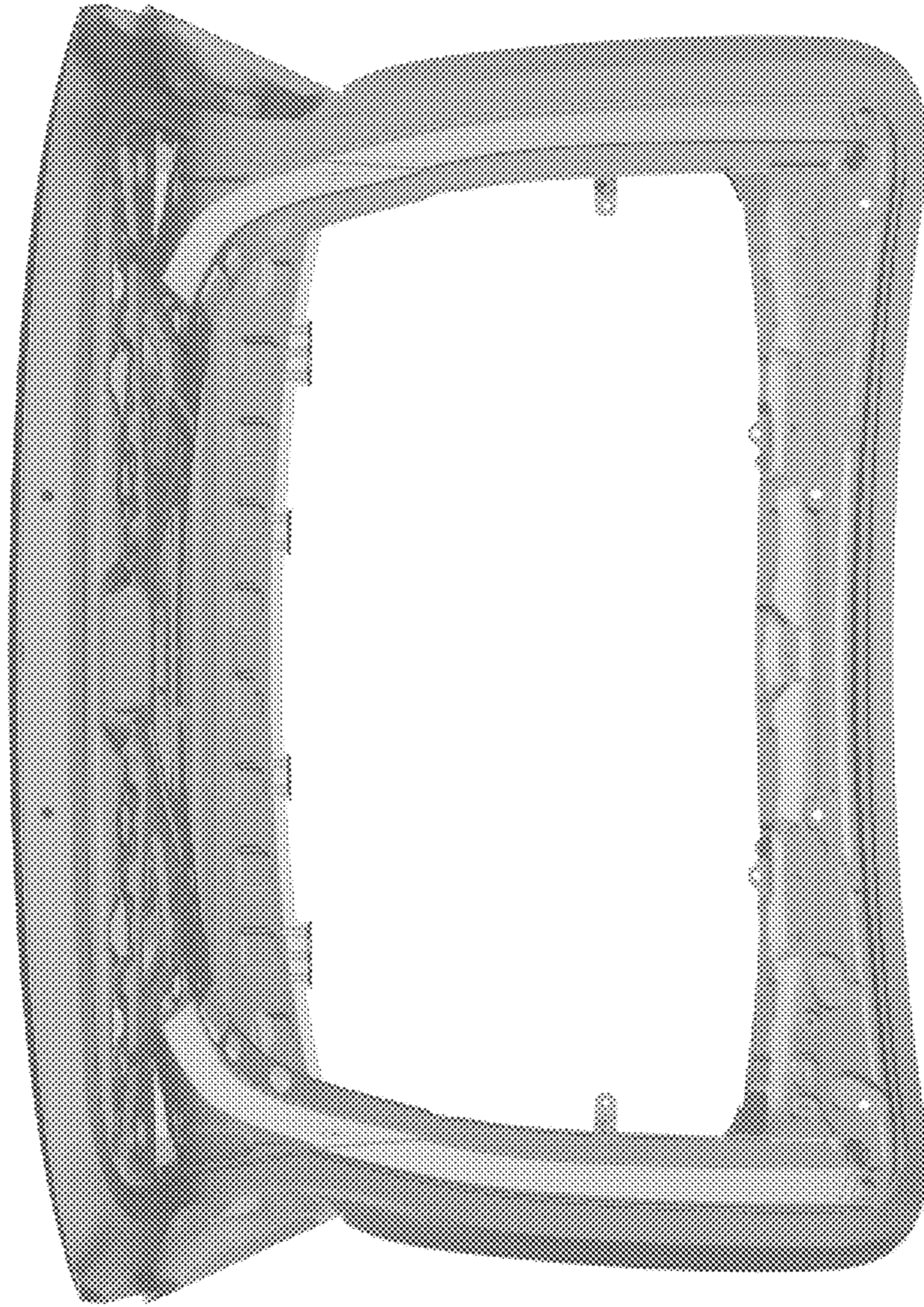


Fig. 7

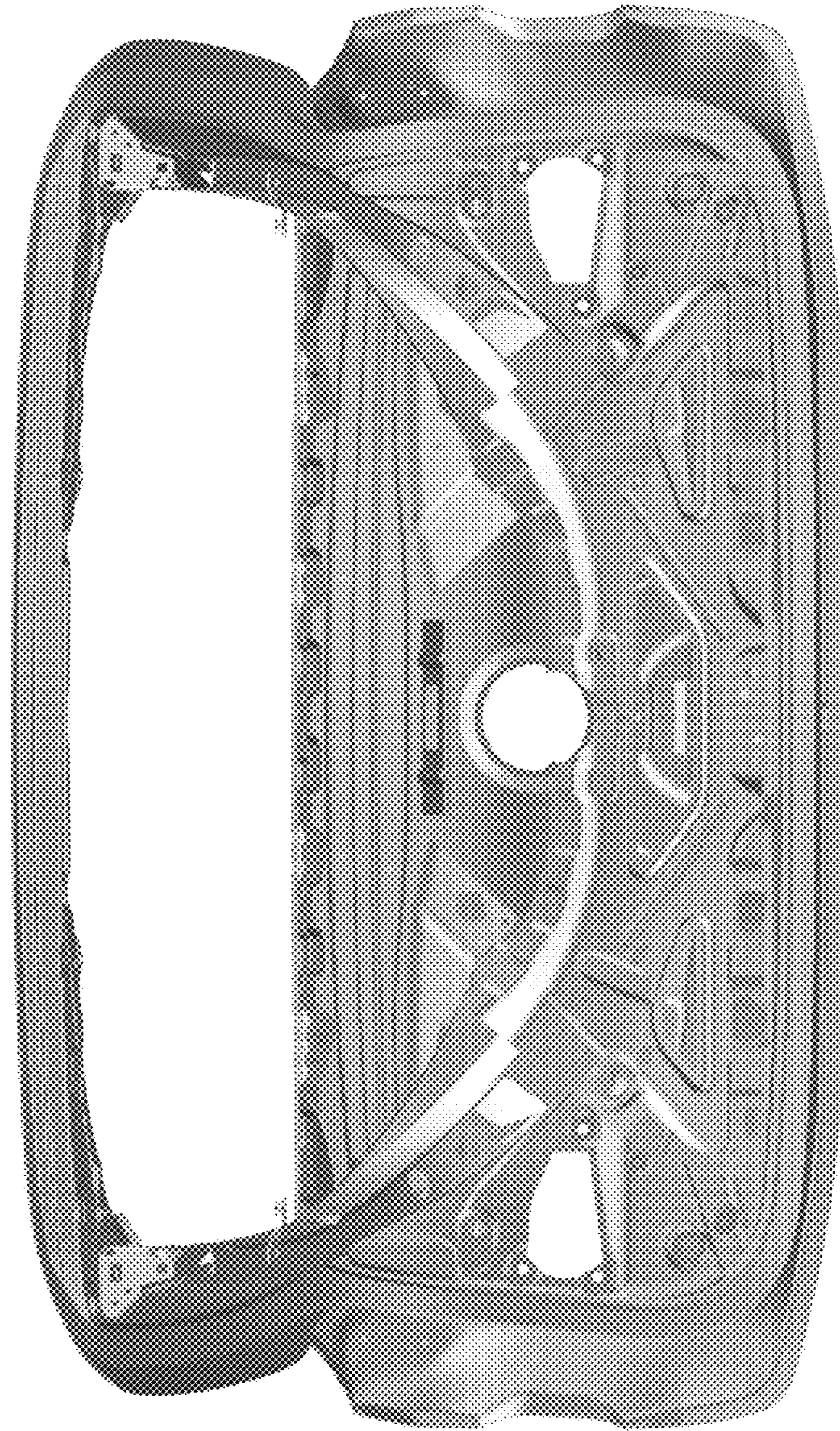


Fig. 8