



US00D840306S

(12) **United States Design Patent**
Kozub

(10) **Patent No.:** **US D840,306 S**

(45) **Date of Patent:** **** Feb. 12, 2019**

(54) **VEHICLE ENDGATE**

(71) Applicant: **GM GLOBAL TECHNOLOGY OPERATIONS LLC**, Detroit, MI (US)

(72) Inventor: **Timothy P. Kozub**, Troy, MI (US)

(73) Assignee: **GM GLOBAL TECHNOLOGY OPERATIONS LLC**, Detroit, MI (US)

(**) Term: **15 Years**

(21) Appl. No.: **29/609,077**

(22) Filed: **Jun. 28, 2017**

(51) **LOC (11) Cl.** **12-16**

(52) **U.S. Cl.**
USPC **D12/196**

(58) **Field of Classification Search**
USPC D12/88, 89, 90, 91, 92, 98, 163, 164,
D12/169, 171, 173, 196, 400; 296/181.1,
296/181.5; 293/102, 113, 115; D21/424,
D21/433, 434
CPC B62D 25/00; B62D 25/02; B62D 25/08;
B62D 33/0273; B62D 33/03; B62D
33/037
See application file for complete search history.

(56) **References Cited**

U.S. PATENT DOCUMENTS

5,669,654 A *	9/1997	Eilers	B60P 1/003 296/26.11
D397,978 S *	9/1998	Helgeson	D12/196
D420,317 S *	2/2000	Ney	D12/196
D456,311 S *	4/2002	Yamamoto	D12/86
D494,910 S *	8/2004	Metros	D12/196
D508,440 S *	8/2005	Hall	D12/98
D560,584 S *	1/2008	Tant	D12/196
D570,742 S *	6/2008	Takagi	D12/98
D592,105 S	5/2009	Dean et al.	
D597,447 S	8/2009	Folden	

D600,595 S *	9/2009	Nakamura	D12/98
D601,925 S *	10/2009	O'Donnell	D12/98
D603,755 S	11/2009	Peters	
D604,203 S *	11/2009	O'Donnell	D12/98
D604,682 S *	11/2009	Kawaguchi	D12/196
D605,082 S	12/2009	Munson	
D605,083 S	12/2009	Manoogian, II et al.	
D605,977 S	12/2009	Zipfel et al.	
D605,978 S	12/2009	Wolff et al.	
D607,783 S *	1/2010	Roller	D12/98
D608,249 S	1/2010	Peters	
D608,690 S	1/2010	Folden et al.	
D608,691 S	1/2010	Zak, Jr. et al.	
D609,608 S	2/2010	Boniface et al.	
D611,387 S	3/2010	Thompson et al.	
D611,879 S	3/2010	Kim et al.	
D612,297 S	3/2010	Peters et al.	

(Continued)

Primary Examiner — Ian Simmons

Assistant Examiner — Yolanda Robinson

(57) **CLAIM**

The ornamental design for a vehicle endgate, as shown and described.

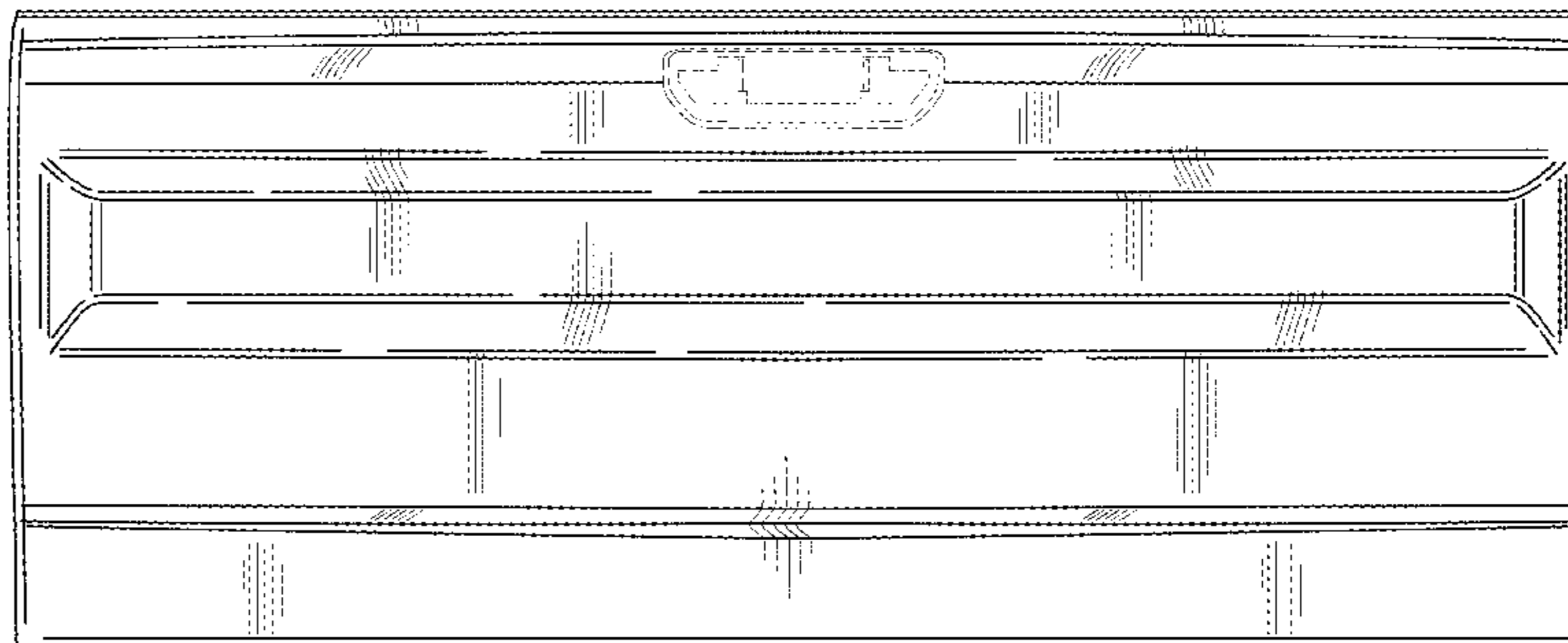
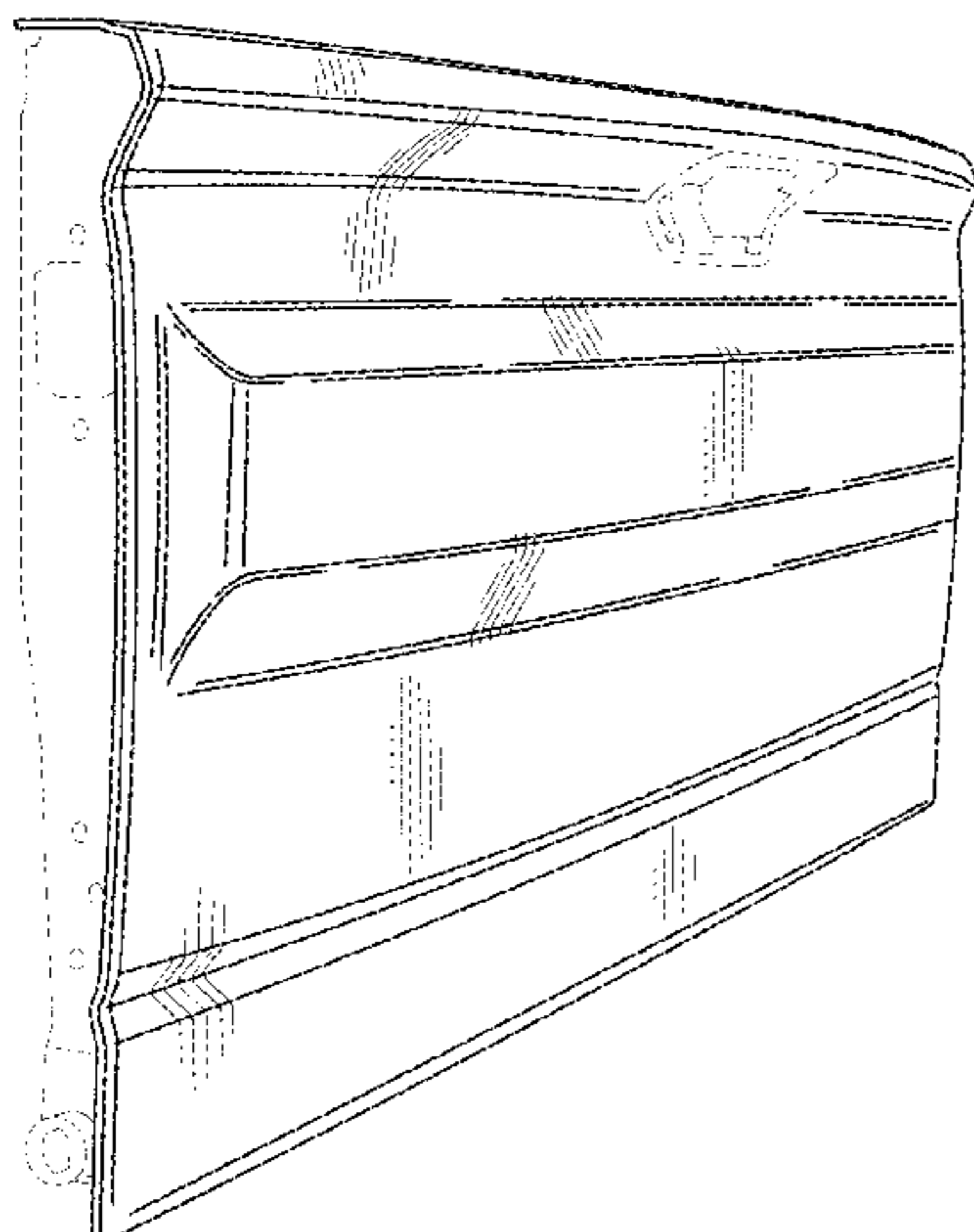
DESCRIPTION

FIG. 1 is a front and left perspective view of the vehicle endgate according to the present disclosure; FIG. 2 is a left end elevation view thereof; FIG. 3 is a front elevation view thereof; and FIG. 4 is a top plan view thereof; and, FIG. 5 is a bottom plan view thereof.

The right end elevation view is omitted, because the right end elevation view is a mirror image to the left end elevation view.

The broken lines shown in the drawings depict portions of the vehicle endgate that form no part of the claimed design. The shade lines in the figures show contour and not surface ornamentation.

1 Claim, 3 Drawing Sheets



(56)

References Cited

U.S. PATENT DOCUMENTS

D613,645 S	4/2010	Song et al.		D747,514 S	1/2016	McMahan et al.	
D615,458 S	5/2010	Thompson et al.		D747,515 S	1/2016	McMahan et al.	
D618,595 S *	6/2010	Ware	D12/98	D747,819 S	1/2016	Thole et al.	
D623,090 S	9/2010	Cox et al.		D749,021 S	2/2016	Boniface et al.	
D627,262 S	11/2010	Ikeda et al.		D749,026 S	2/2016	Smith et al.	
D635,488 S	4/2011	Phipps		D749,027 S	2/2016	McMahan et al.	
D644,147 S	8/2011	Suh et al.		D749,246 S	2/2016	Thole et al.	
D644,567 S	9/2011	Kozub		D749,249 S	2/2016	Thole et al.	
D657,718 S *	4/2012	Zipfel	D12/98	D749,250 S	2/2016	Thole et al.	
D659,052 S *	5/2012	Ware	D12/98	D749,985 S	2/2016	Kozub et al.	
D659,053 S *	5/2012	Ware	D12/98	D749,997 S	2/2016	McMahan et al.	
D668,182 S	10/2012	Barba Franco et al.		D750,001 S	2/2016	Thole et al.	
D668,183 S	10/2012	Smart		D750,002 S *	2/2016	Sato	D12/196
D678,820 S	3/2013	Son et al.		D753,032 S	4/2016	Smith et al.	
D678,821 S	3/2013	Ikeda et al.		D753,033 S	4/2016	Thole et al.	
D680,909 S	4/2013	Munson et al.		D753,034 S	4/2016	Thole et al.	
D680,910 S	4/2013	David		D753,035 S	4/2016	Boniface et al.	
D684,515 S *	6/2013	Oliver	296/26.11	D753,559 S	4/2016	McMahan et al.	
D684,899 S	6/2013	Baker		D753,560 S	4/2016	McMahan et al.	
D686,536 S	7/2013	McCabe et al.		D753,567 S	4/2016	Boniface et al.	
D692,798 S	11/2013	Thurber		D754,571 S	4/2016	Boniface et al.	
D692,799 S	11/2013	Smith et al.		D754,572 S	4/2016	McMahan et al.	
D696,157 S	12/2013	Loeb		D755,088 S	5/2016	McMahan et al.	
D699,629 S	2/2014	Ikeda et al.		D756,869 S	5/2016	McMahan et al.	
D700,871 S *	3/2014	O'Donnell	D12/98	D758,271 S *	6/2016	McMahan	D12/196
D703,103 S	4/2014	Lee		D764,975 S	8/2016	Aengenheyster	
D704,103 S	5/2014	Mack et al.		D764,976 S	8/2016	Aengenheyster	
D705,132 S	5/2014	Ware et al.		D767,449 S	9/2016	Pevovar et al.	
D705,699 S	5/2014	Ware et al.		D767,450 S	9/2016	Lee et al.	
D710,777 S *	8/2014	Platto	D12/196	D767,451 S	9/2016	Kozub et al.	
D713,298 S	9/2014	Dyson		D767,454 S	9/2016	McMahan et al.	
D713,764 S	9/2014	Ferlazzo et al.		D767,458 S	9/2016	Kim	
D716,696 S	11/2014	Thole et al.		D767,459 S	9/2016	Kim	
D716,706 S	11/2014	Thole et al.		D767,460 S	9/2016	Kozub et al.	
D716,709 S	11/2014	Thole et al.		D767,461 S	9/2016	Kozub et al.	
D717,696 S	11/2014	Thole et al.		D771,528 S	11/2016	Smith et al.	
D718,189 S	11/2014	Krieg et al.		D771,529 S	11/2016	Thole et al.	
D718,683 S	12/2014	Thole et al.		D771,532 S	11/2016	Kapitonov	
D722,282 S	2/2015	Loeb		D771,533 S	11/2016	Kapitonov	
D722,533 S	2/2015	Thole et al.		D772,766 S	11/2016	Kozub et al.	
D722,534 S	2/2015	Munson et al.		D772,767 S	11/2016	Kim	
D724,510 S	3/2015	McMahan et al.		D773,084 S	11/2016	Kapitonov	
D725,001 S	3/2015	McMahan et al.		D773,086 S	11/2016	McCabe et al.	
D726,591 S	4/2015	Jacob		D774,226 S	12/2016	McCabe et al.	
D730,776 S	6/2015	Smart		D775,003 S	12/2016	Pevovar et al.	
D730,783 S	6/2015	Henriques et al.		D775,007 S	12/2016	Thole et al.	
D732,427 S	6/2015	Loeb		D775,010 S	12/2016	Kim et al.	
D732,429 S	6/2015	Loeb		D775,049 S	12/2016	Scheer et al.	
D732,430 S	6/2015	Loeb		D775,549 S	1/2017	Karras	
D732,431 S	6/2015	Loeb		D775,554 S	1/2017	Kapitonov	
D732,432 S	6/2015	Aengenheyster		D776,020 S	1/2017	Kapitonov	
D732,433 S	6/2015	Aengenheyster		D776,581 S	1/2017	Pevovar et al.	
D732,435 S *	6/2015	Mackay	D12/98	D776,583 S	1/2017	Scheer et al.	
D733,002 S	6/2015	Loeb		D776,841 S	1/2017	Kozub et al.	
D735,611 S	8/2015	Aengenheyster		D776,843 S	1/2017	McCabe et al.	
D735,627 S	8/2015	Smith		D776,846 S	1/2017	Willett et al.	
D736,451 S	8/2015	Smith		D777,359 S	1/2017	Kozub et al.	
D739,306 S	9/2015	McMahan et al.		D777,360 S	1/2017	Kozub et al.	
D739,317 S	9/2015	McMahan et al.		D777,361 S	1/2017	Kozub et al.	
D741,223 S	10/2015	Kim et al.		D777,604 S	1/2017	McNerney	
D743,309 S	11/2015	Thole et al.		D777,605 S	1/2017	Ferlazzo et al.	
D743,313 S	11/2015	Smith et al.		D777,620 S	1/2017	Pevovar et al.	
D743,314 S	11/2015	Thole et al.		D777,621 S	1/2017	Kim	
D743,857 S	11/2015	McMahan et al.		D777,622 S	1/2017	Kozub et al.	
D744,158 S	11/2015	Willett et al.		D777,628 S	1/2017	Kozub et al.	
D745,086 S	12/2015	Finos et al.		D777,955 S	1/2017	Willett et al.	
D745,719 S	12/2015	Boniface et al.		D778,212 S	2/2017	Kozub et al.	
D745,725 S	12/2015	McMahan et al.		D778,215 S	2/2017	Kozub et al.	
D745,726 S	12/2015	McMahan et al.		D780,064 S	2/2017	Smith et al.	
D745,837 S	12/2015	Smith et al.		D780,067 S	2/2017	Zipfel et al.	
D746,726 S	1/2016	Smith et al.		D780,068 S	2/2017	Whitla et al.	
D746,727 S	1/2016	Smith et al.		D780,077 S	2/2017	Kim et al.	
D746,728 S	1/2016	Smith et al.		D780,081 S	2/2017	Lee	
D746,729 S	1/2016	Boniface et al.		D780,084 S	2/2017	Scheer et al.	
D746,730 S	1/2016	Kim et al.		D780,631 S	3/2017	Kozub et al.	
				D780,644 S	3/2017	Kim et al.	
				D781,184 S	3/2017	Thole et al.	
				D781,192 S	3/2017	Kozub et al.	
				D782,379 S	3/2017	Wassell	

(56)

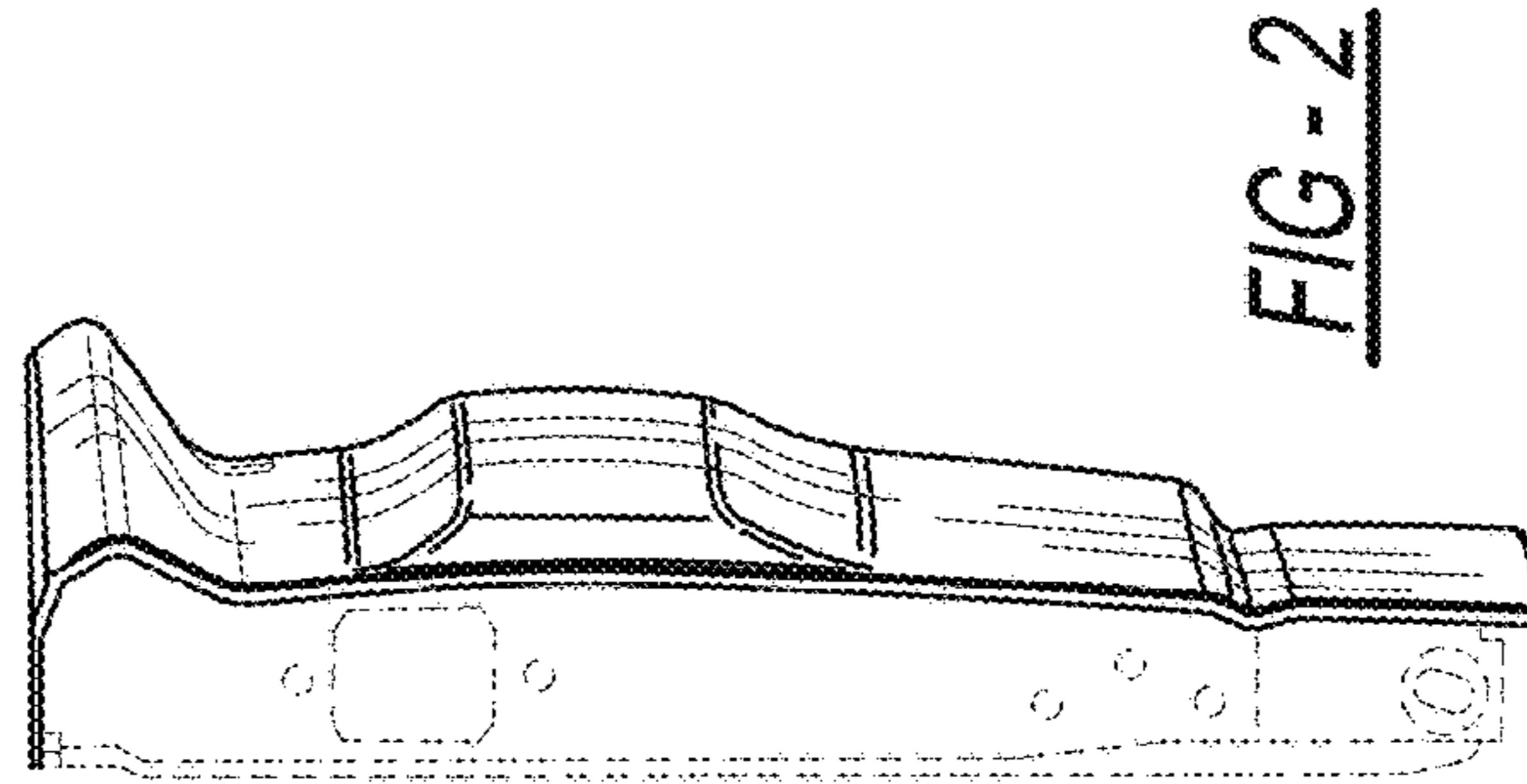
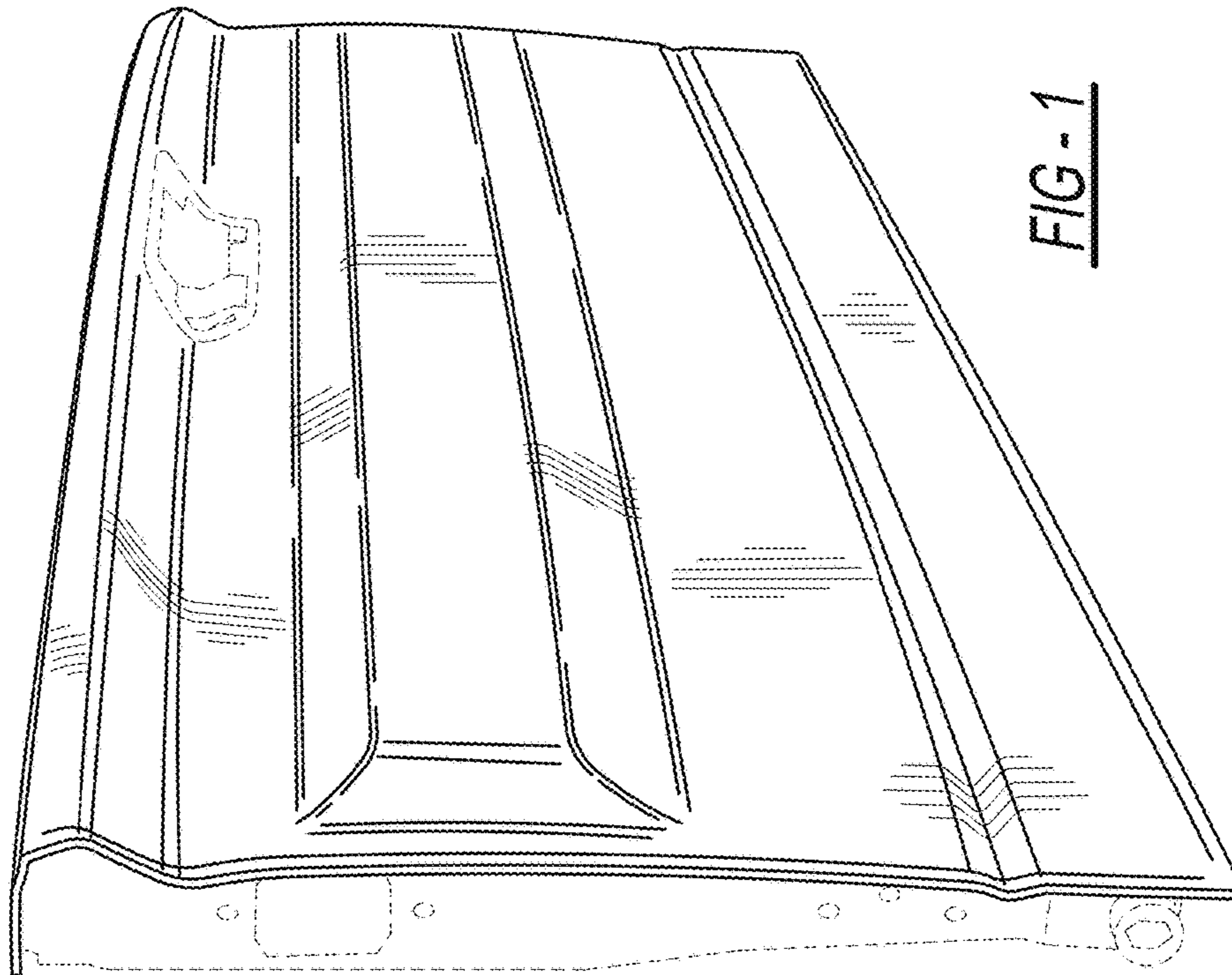
References Cited

U.S. PATENT DOCUMENTS

D783,482 S 4/2017 Smith et al.
 D784,213 S 4/2017 Karras
 D784,223 S 4/2017 Lee
 D784,226 S 4/2017 Cheng
 D784,579 S 4/2017 Cheng et al.
 D784,877 S 4/2017 Lee
 D784,886 S 4/2017 Smith et al.
 D785,521 S 5/2017 Smith et al.
 D786,149 S 5/2017 Pevovar et al.
 D786,312 S * 5/2017 Okuyama D12/14
 D786,743 S 5/2017 Smith et al.
 D786,750 S 5/2017 Lee
 D787,446 S 5/2017 Cockerill
 D787,984 S 5/2017 Fang
 D787,988 S 5/2017 Lee
 D787,989 S 5/2017 Kozub et al.
 D787,990 S 5/2017 Kozub et al.
 D787,992 S 5/2017 Lee

D787,993 S 5/2017 McCabe et al.
 D788,001 S 5/2017 Lee
 D788,641 S 6/2017 Arnold
 D788,644 S 6/2017 Mueller
 D788,645 S 6/2017 Mueller
 D789,250 S 6/2017 Arnold
 D789,260 S 6/2017 Smith
 D789,575 S 6/2017 Willett
 D789,841 S 6/2017 Lee
 D789,849 S 6/2017 Lee
 D794,769 S * 8/2017 Baldwin D23/387
 D801,860 S * 11/2017 Piscitelli D12/91
 D803,727 S * 11/2017 Noone D12/98
 D805,438 S * 12/2017 Scott D12/98
 D807,268 S * 1/2018 Dunshee D12/196
 D809,428 S * 2/2018 Platto D12/98
 D809,429 S * 2/2018 Platto D12/98
 2004/0202000 A1 * 10/2004 Nagase B60Q 1/2661
 362/485
 2017/0298675 A1 * 10/2017 Dimig B60R 3/02

* cited by examiner



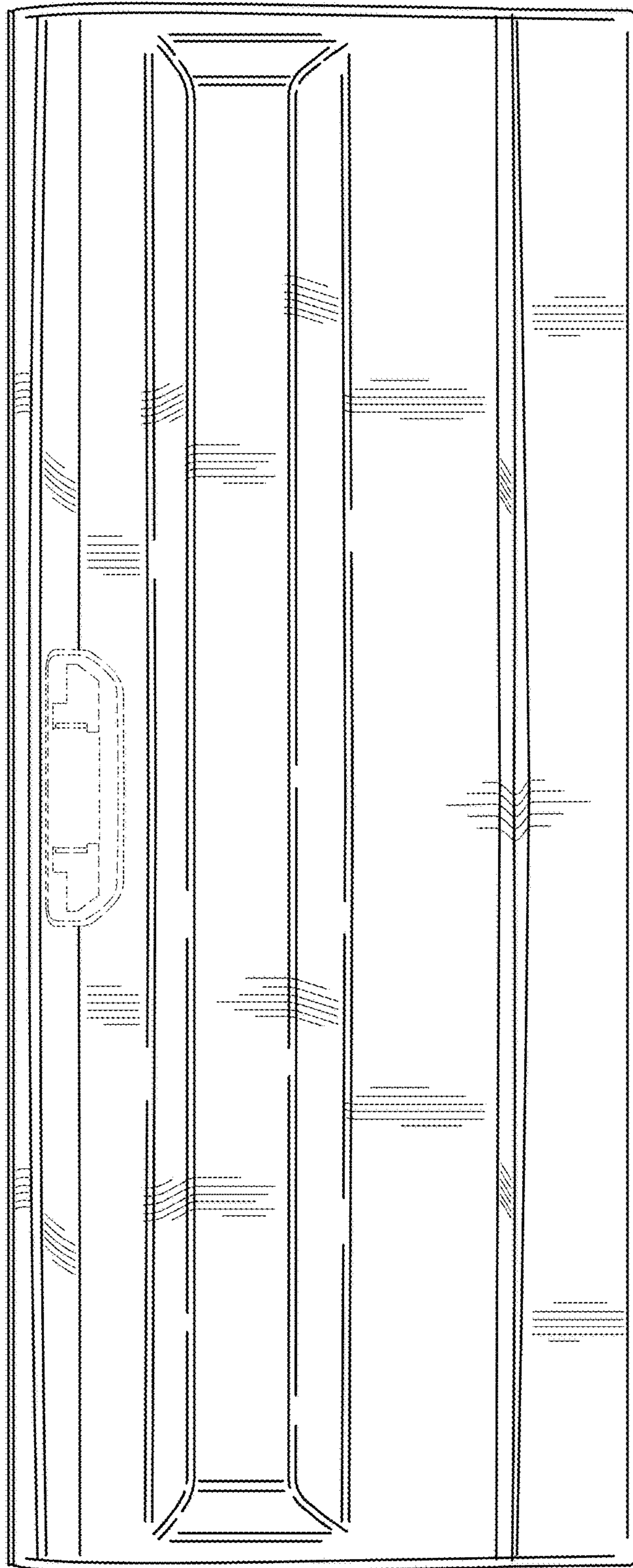


FIG - 3

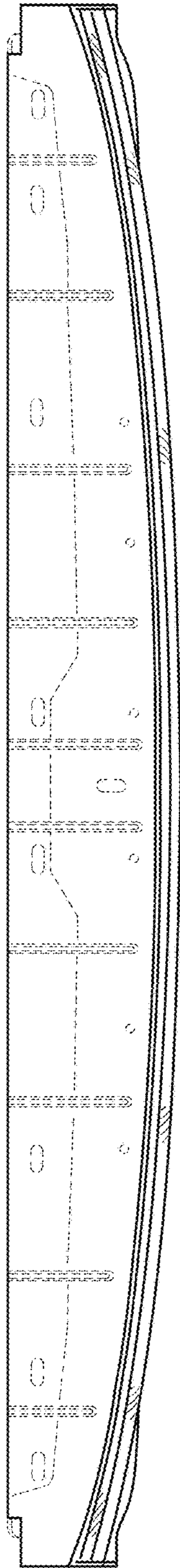


FIG - 4

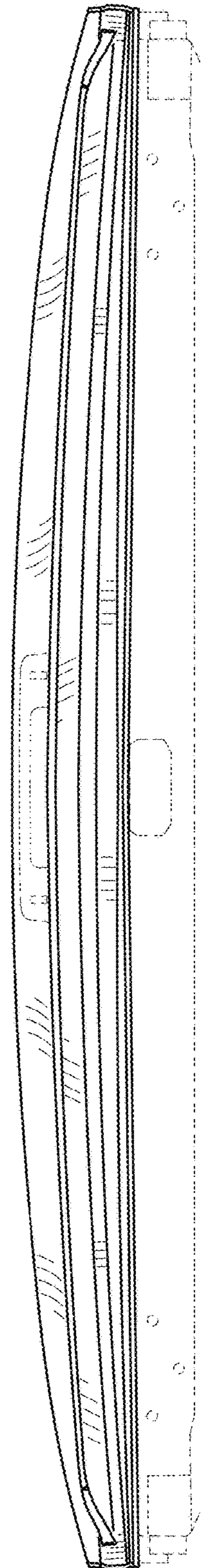


FIG - 5