



US00D840305S

(12) **United States Design Patent** (10) **Patent No.:** **US D840,305 S**
Chang et al. (45) **Date of Patent:** **** Feb. 12, 2019**

(54) **INSTRUMENT PANEL FOR A MOTOR VEHICLE**

D154,638 S * 7/1949 Ross D12/192
D154,639 S * 7/1949 Ross D12/192
D182,214 S * 2/1958 Wilfert D12/192
2,966,952 A * 1/1961 Wilfert B60K 37/00
180/90

(71) Applicants: **Ben Uk Chang**, Irvine, CA (US);
William Luther Chergosky, San
Marcos, CA (US); **Kiminori Kanda**,
Toyota (JP)

(Continued)

(72) Inventors: **Ben Uk Chang**, Irvine, CA (US);
William Luther Chergosky, San
Marcos, CA (US); **Kiminori Kanda**,
Toyota (JP)

OTHER PUBLICATIONS

Netcarshow.com, URL: http://www.netcarshow.com/lexus/2012/lf-fc_concept/1600x1200/wallpaper_la.htm; Model: Lexus LF-LC Concept; Mfg.: Lexus; available on at least Jun. 4, 2015.

(Continued)

(73) Assignee: **Toyota Jidosha Kabushiki Kaisha**,
Toyota-shi, Aichi-ken (JP)

Primary Examiner — Shannon W Morgan
Assistant Examiner — Altaira J Swangin

(**) Term: **15 Years**

(74) *Attorney, Agent, or Firm* — Finnegan, Henderson,
Farabow, Garrett & Dunner, L.L.P.

(21) Appl. No.: **29/561,395**

(22) Filed: **Apr. 15, 2016**

(57) **CLAIM**

(30) **Foreign Application Priority Data**

Oct. 16, 2015 (JP) 2015-022908

The ornamental design for an instrument panel for a motor vehicle, as shown and described.

(51) **LOC (11) Cl.** **12-16**

(52) **U.S. Cl.**
USPC **D12/192**

(58) **Field of Classification Search**
USPC D21/477; D10/102, 49, 46, 98, 103,
D10/122–127, 53; D12/192, 110, 114,
D12/415; 296/97.1, 37.18, 70, 37.12;
362/492; 702/165; D14/157, 210, 224.1,
D14/258, 315; D15/17, 28; 348/118,
348/837; D26/139; 114/364
CPC B60R 21/045; B60R 11/02; B60K 35/00;
B60K 37/00; B60H 3/06
See application file for complete search history.

DESCRIPTION

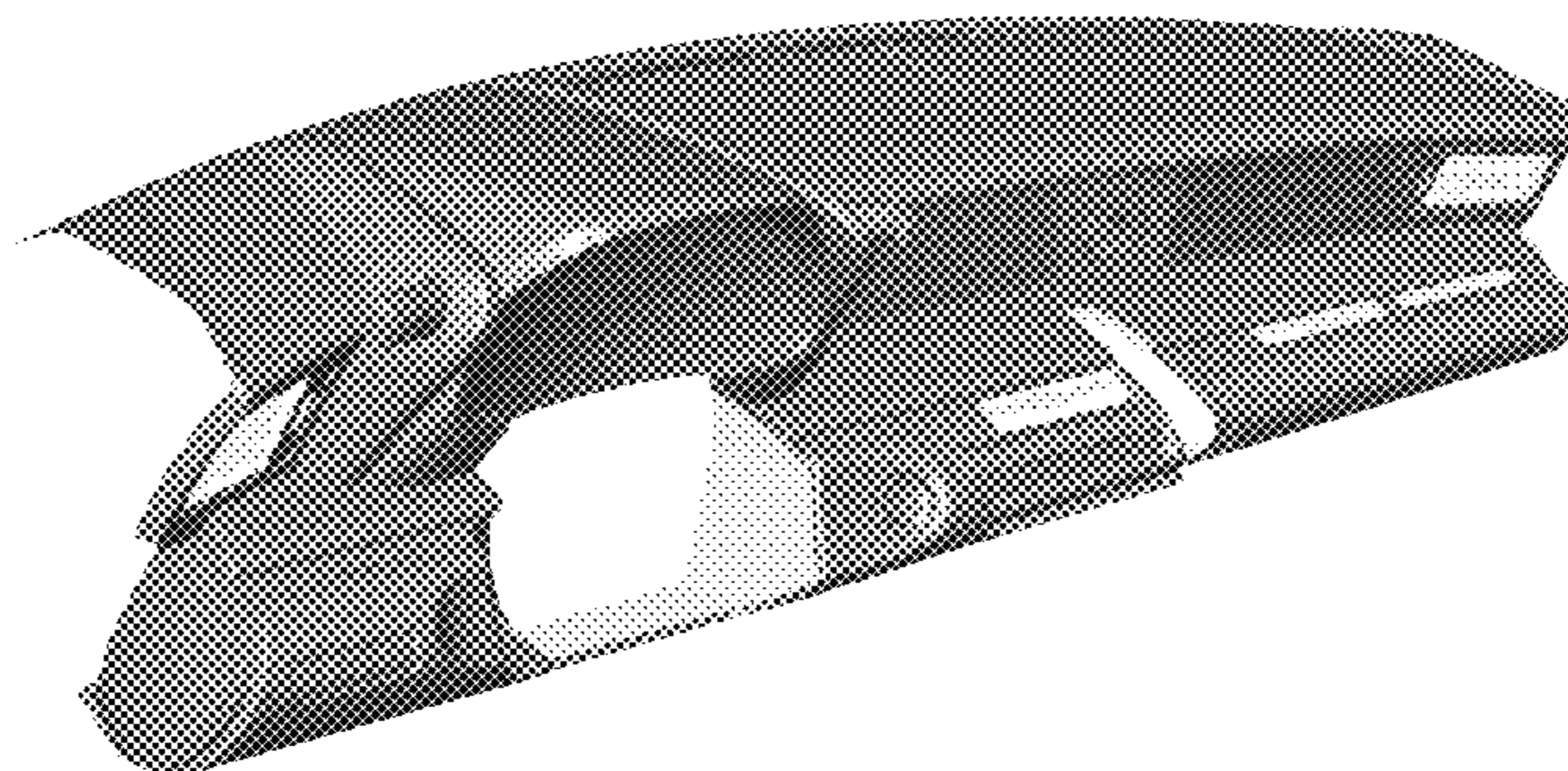
FIG. 1 is a front perspective view of an instrument panel for a motor vehicle, showing our new design;
FIG. 2 is a front view thereof;
FIG. 3 is a rear view thereof;
FIG. 4 is a right side view thereof;
FIG. 5 is a left side view thereof;
FIG. 6 is a top view thereof; and,
FIG. 7 is a bottom view thereof.
Our design includes a mirror image of the embodiment depicted. The de-emphasized, halftone portions shown in the photographs illustrate environmental structure of an instrument panel for a motor vehicle that forms no part of the claimed design.

(56) **References Cited**

U.S. PATENT DOCUMENTS

D154,576 S * 7/1949 Anderson D12/192
D154,611 S * 7/1949 Lauer D12/192

1 Claim, 6 Drawing Sheets



(56)

References Cited

U.S. PATENT DOCUMENTS

3,040,832 A * 6/1962 Wilfert B60K 37/02
180/90
D219,811 S * 2/1971 Fiat D12/192
3,876,228 A * 4/1975 Hawkins B60R 21/045
180/90
D236,104 S * 7/1975 Cadiou D12/176
3,966,227 A * 6/1976 Cameron B60R 21/215
180/90
D363,053 S * 10/1995 Abele D12/192
5,544,912 A * 8/1996 Sommer B60R 21/216
280/728.3
6,168,188 B1 * 1/2001 Preisler B60R 21/2165
280/728.3
6,176,534 B1 * 1/2001 Duncan B60K 37/04
296/37.12
6,464,255 B1 * 10/2002 Preisler B60R 21/206
280/732
D492,631 S * 7/2004 Pfeiffer D12/192
7,036,865 B2 * 5/2006 Sato B60K 37/02
180/90
7,077,431 B2 * 7/2006 Gayer B62D 1/187
180/90
7,201,420 B2 * 4/2007 Vican B60R 11/0235
296/37.12
D549,628 S * 8/2007 Esaki D12/192
D558,110 S * 12/2007 Ozeki D12/192
D569,317 S * 5/2008 Schowalter D12/192
D570,756 S * 6/2008 Nakajima D12/192
D593,470 S * 6/2009 Duan D12/192
D625,233 S * 10/2010 Mizuhata D12/192

7,954,851 B2 * 6/2011 Sato B60K 35/00
180/90
D660,210 S * 5/2012 Minakawa D12/192
D676,365 S * 2/2013 Chang D12/195
D696,994 S * 1/2014 Tanaka D12/192
D697,459 S * 1/2014 Yamada D12/192
D704,114 S * 5/2014 Masakawa D12/192
D704,608 S * 5/2014 Kanda D12/192
D704,610 S * 5/2014 Mizuhata D12/192
D705,144 S * 5/2014 Ishikawa D12/192
D718,200 S * 11/2014 Arnaout D12/192
D731,940 S * 6/2015 Okabe D12/192
D733,021 S * 6/2015 Takagi D12/192
D771,541 S * 11/2016 Shouno D12/192
D793,931 S * 8/2017 Lee D12/192
D795,146 S * 8/2017 Ogawa D12/192
2003/0116988 A1 * 6/2003 Stelandre B60R 7/06
296/37.12
2006/0038390 A1 * 2/2006 Cho B60R 21/045
280/752
2008/0007039 A1 * 1/2008 Iwasaki B60R 21/02
280/752

OTHER PUBLICATIONS

Netcarshow.com, URL: http://www.netcarshow.com/mazda/2008-kiyora_concept/800x600/wallpaper_0c.htm; Model: Mazda Kiyora concept; Mfg.: Mazda; available on at least Jun. 4, 2015.
Netcarshow.com, URL: http://www.netcarshow.com/bmw/2015-6-series_gran_coupe/1600x1200/wallpaper_3a.htm; Model: BMW 6 Series Gran Coupe; Mfg.: BMW; available on at least Jun. 4, 2015.

* cited by examiner

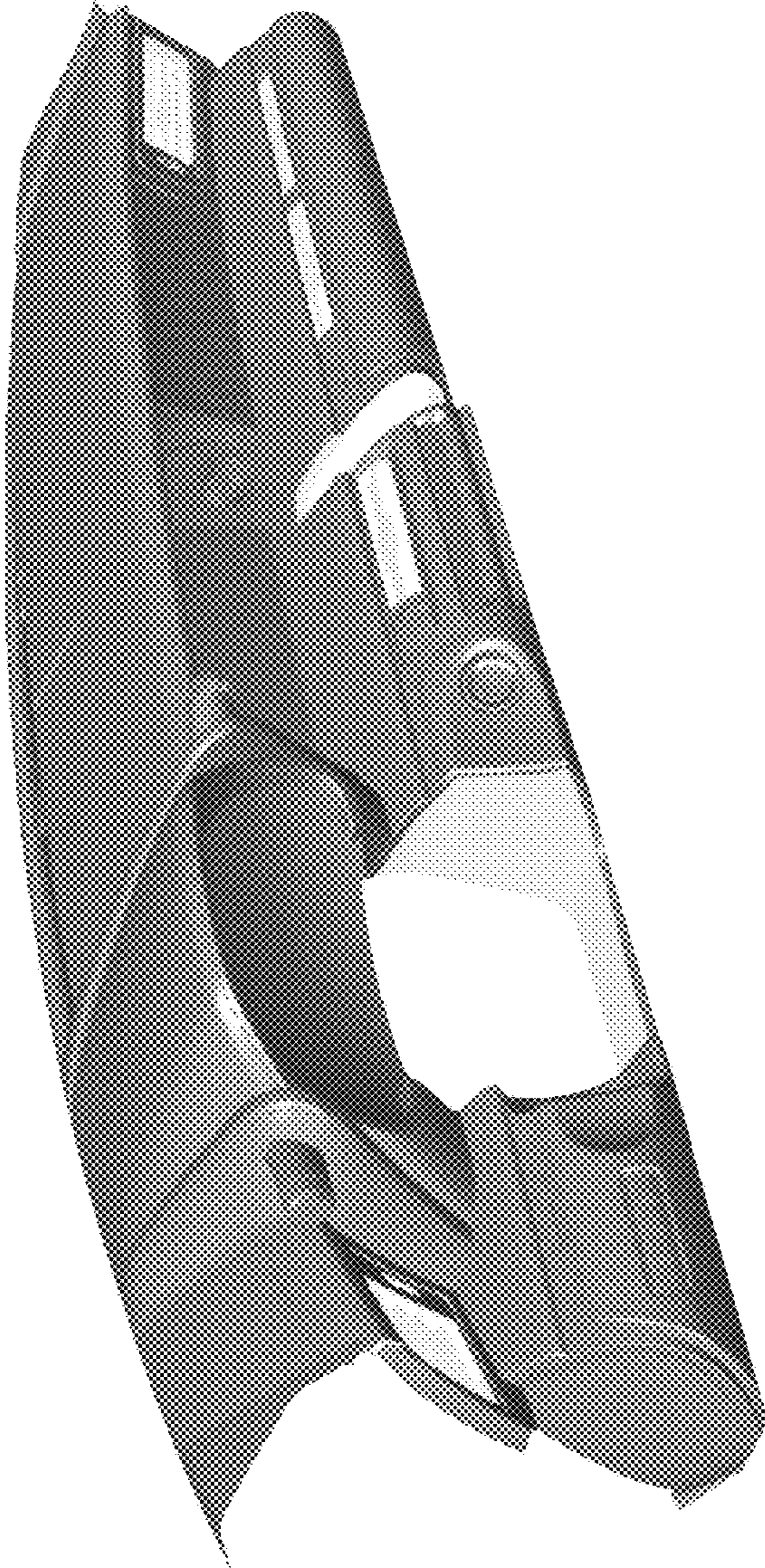


FIG. 1

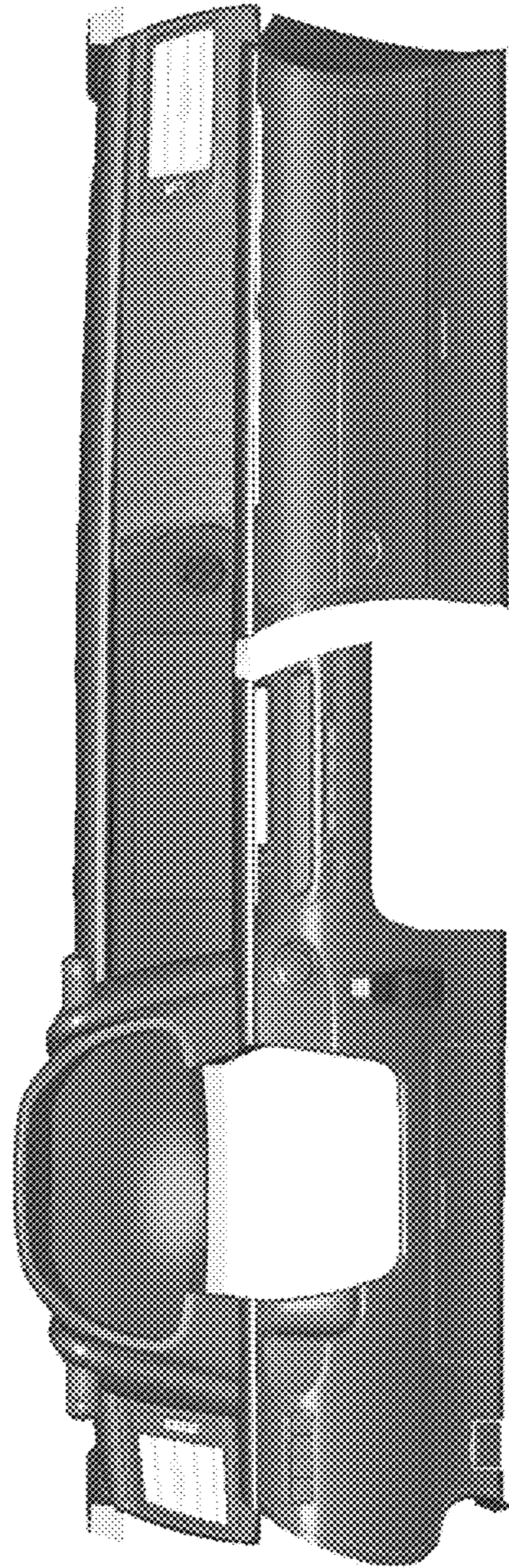


FIG. 2

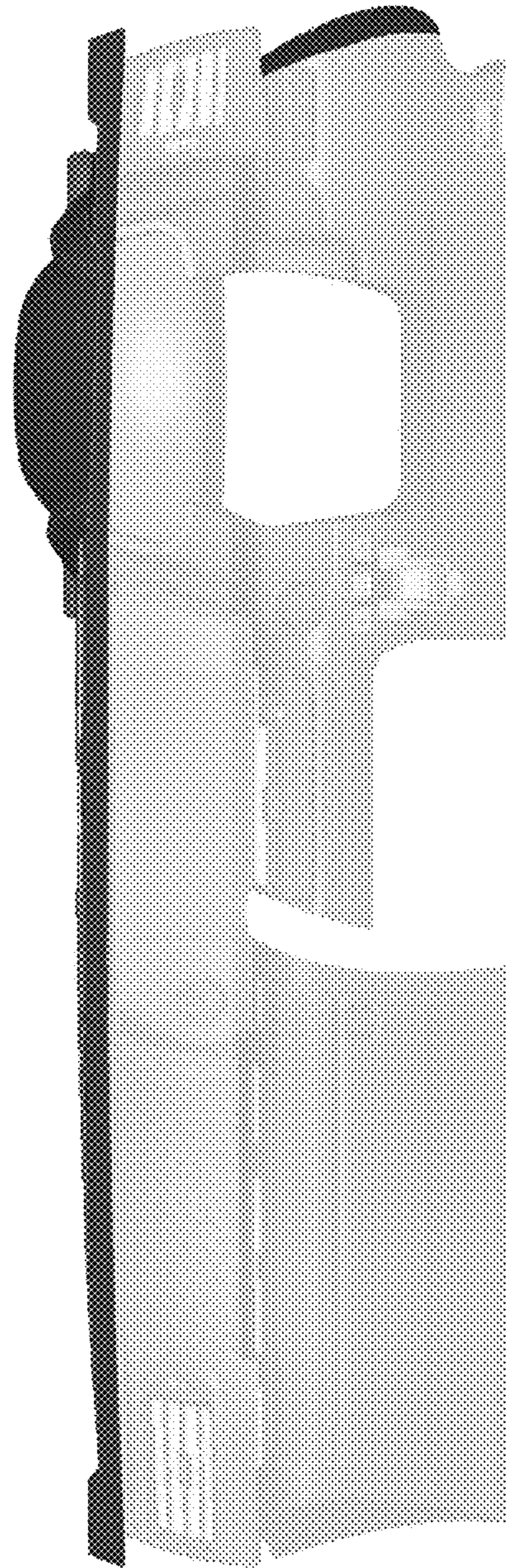


FIG. 3

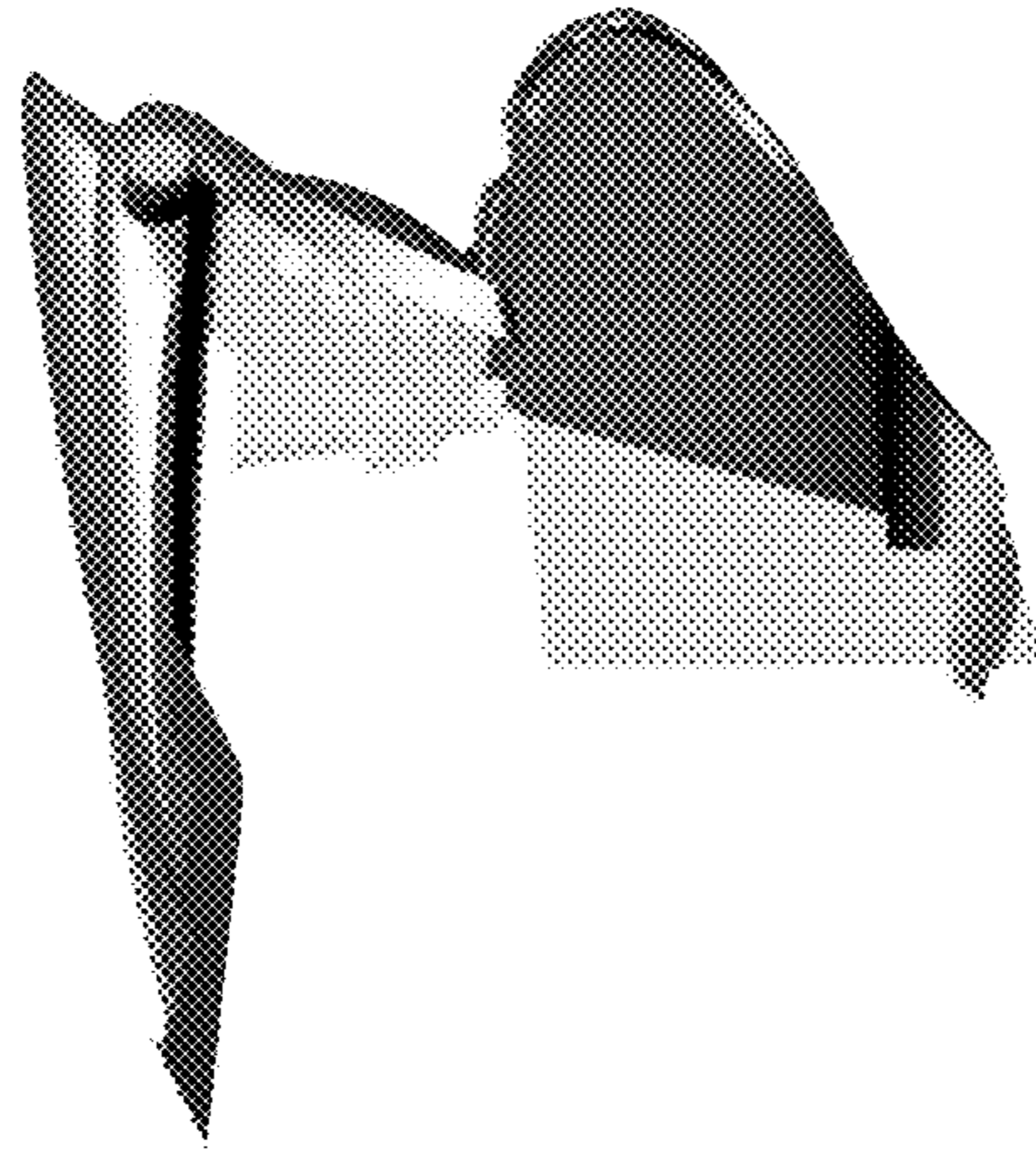


FIG. 4

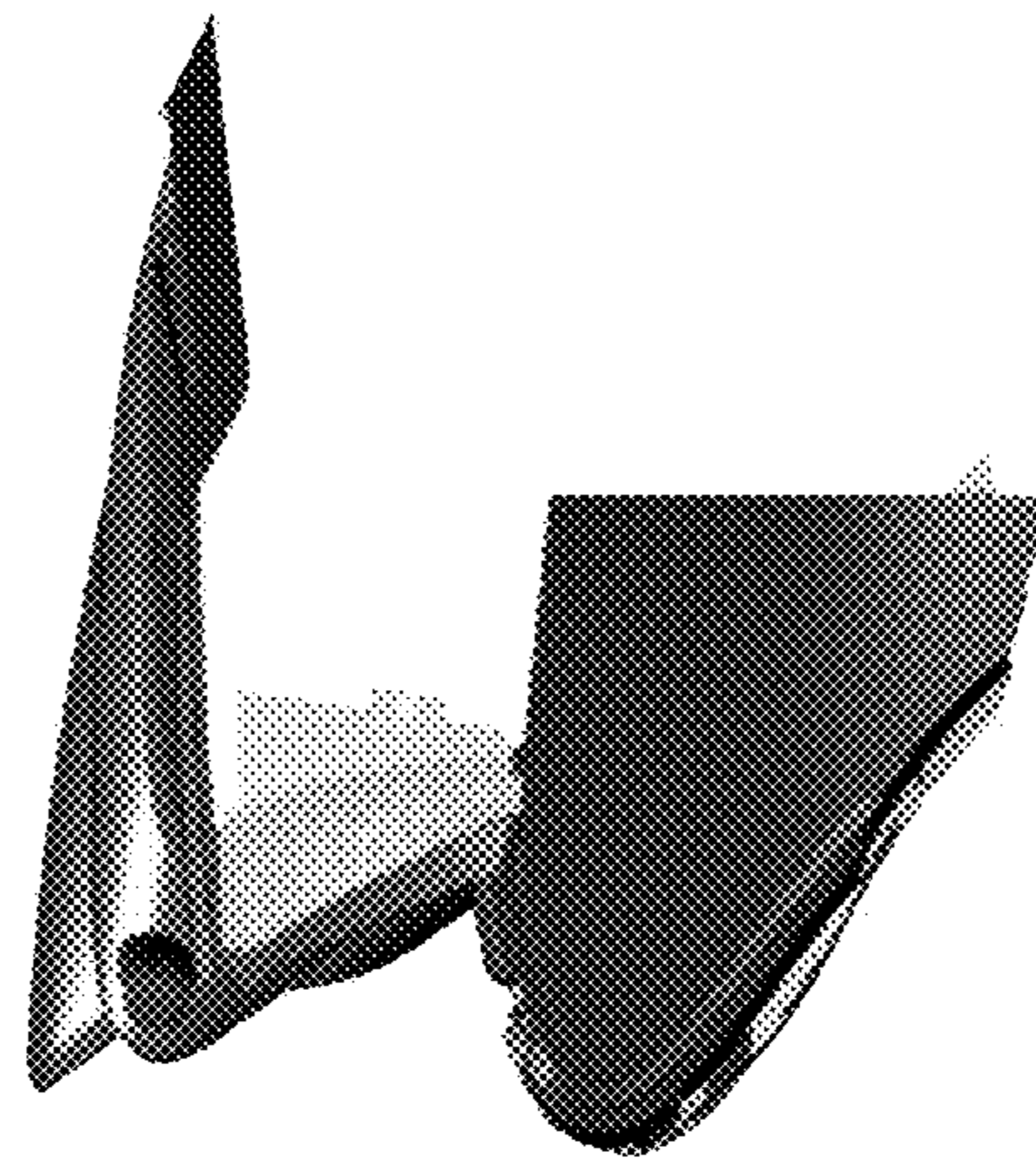


FIG. 5



FIG. 6

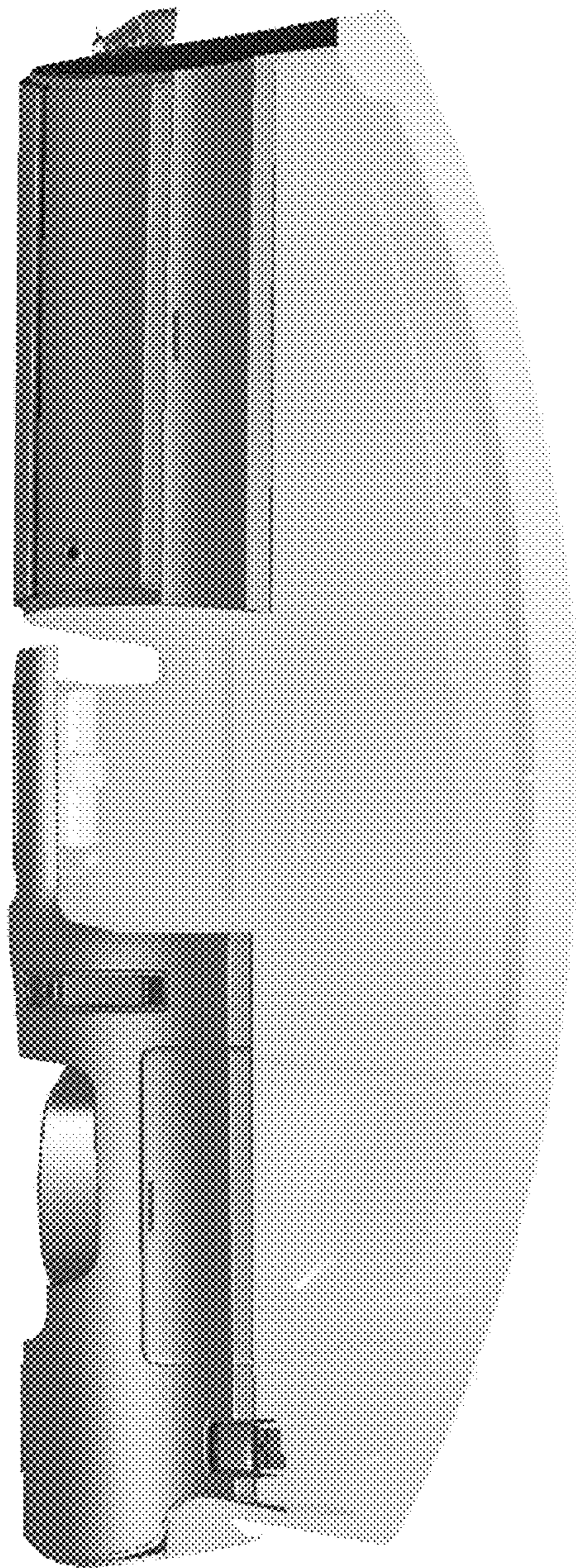


FIG. 7