



US00D840303S

(12) **United States Design Patent**  
**Park Cheng**

(10) **Patent No.:** **US D840,303 S**

(45) **Date of Patent:** **\*\* Feb. 12, 2019**

- (54) **VEHICLE MIRROR**
- (71) Applicant: **GM GLOBAL TECHNOLOGY OPERATIONS LLC**, Detroit, MI (US)
- (72) Inventor: **Christine Park Cheng**, Bloomfield Hills, MI (US)
- (73) Assignee: **GM GLOBAL TECHNOLOGY OPERATIONS LLC**, Detroit, MI (US)
- (\*\*) Term: **15 Years**
- (21) Appl. No.: **29/627,511**
- (22) Filed: **Nov. 28, 2017**
- (51) **LOC (11) Cl.** ..... **12-16**
- (52) **U.S. Cl.**  
USPC ..... **D12/187**
- (58) **Field of Classification Search**  
USPC ..... D12/187, 188, 189, 92; D6/300, 309; D26/28  
CPC ..... B60R 1/074; B60R 1/076; B60R 1/078; B60R 1/08; B60R 1/081; B60R 1/082; B60R 1/006; B60R 1/008; B60R 1/02; B60R 1/10  
See application file for complete search history.

- D605,977 S 12/2009 Zipfel et al.
- D605,978 S 12/2009 Wolff et al.
- D608,249 S 1/2010 Peters
- D608,690 S 1/2010 Folden et al.
- D608,691 S 1/2010 Zak, Jr. et al.
- D609,608 S 2/2010 Boniface et al.
- D611,387 S 3/2010 Thompson et al.
- D611,879 S 3/2010 Kim et al.
- D612,297 S 3/2010 Peters et al.
- D613,645 S 4/2010 Song et al.
- D615,458 S 5/2010 Thompson et al.
- D618,595 S 6/2010 Ware et al.
- D623,090 S 9/2010 Cox et al.
- D627,262 S 11/2010 Ikeda et al.
- D635,488 S 4/2011 Phipps
- D644,147 S 8/2011 Suh et al.
- D644,567 S 9/2011 Kozub
- D657,718 S 4/2012 Zipfel et al.
- D659,052 S 5/2012 Ware et al.

(Continued)

*Primary Examiner* — Susan E Krakower  
*Assistant Examiner* — Jerry Shiuan-Hua Hsu

(57) **CLAIM**

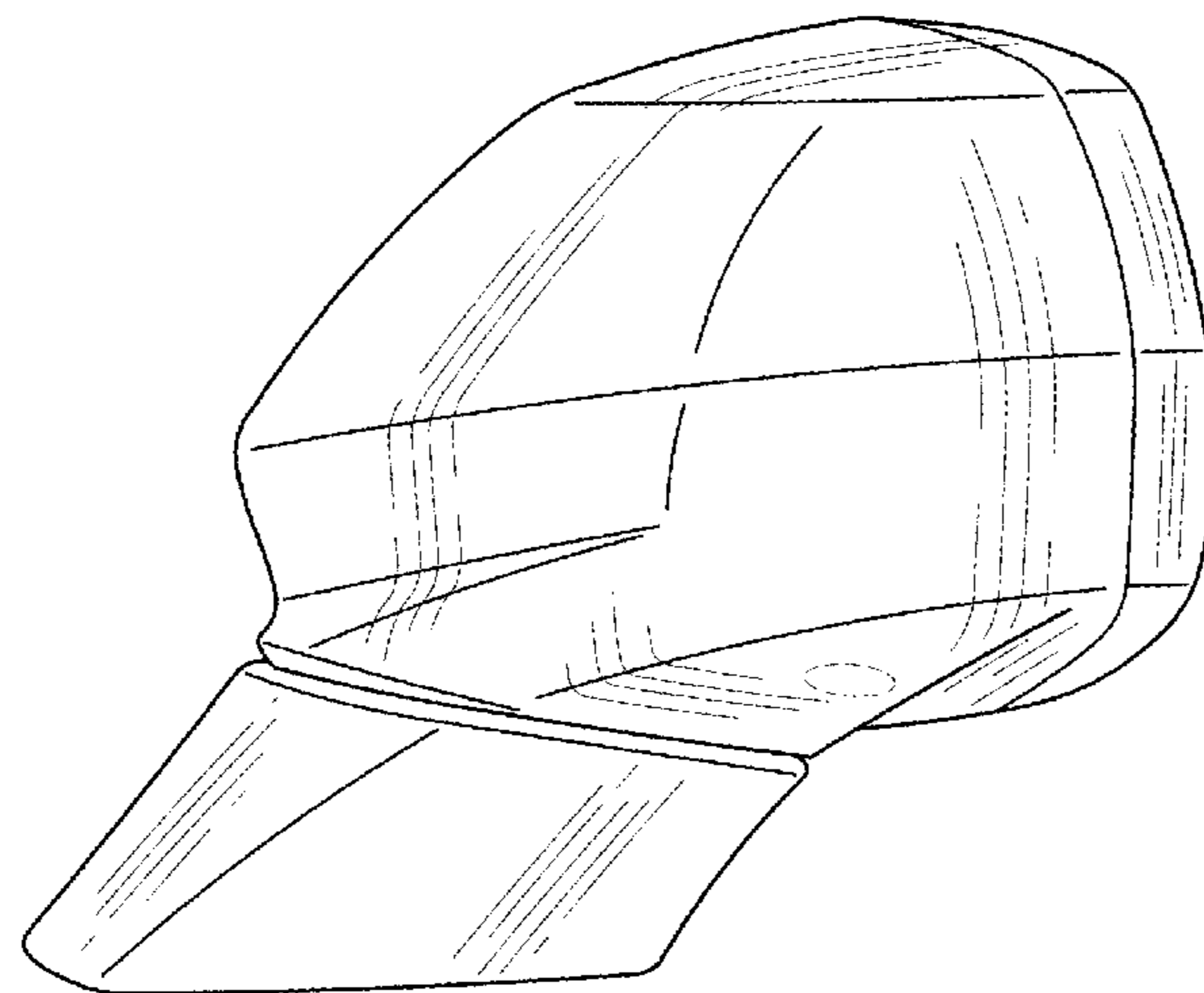
The ornamental design for a vehicle mirror, as shown and described.

**DESCRIPTION**

FIG. 1 is a front and left perspective view of the vehicle mirror in a first embodiment according to the present disclosure;  
 FIG. 2 is a top plan view thereof;  
 FIG. 3 is a front elevation view thereof;  
 FIG. 4 is a bottom plan view thereof; and,  
 FIG. 5 is a rear elevation view thereof.  
 The second embodiment of the vehicle mirror is a mirror image of the first embodiment disclosed in FIGS. 1 through 5 and is not shown.  
 The broken lines shown in the drawings depict portions of the vehicle mirror that form no part of the claimed design.

**1 Claim, 3 Drawing Sheets**

- (56) **References Cited**  
U.S. PATENT DOCUMENTS
- D559,162 S \* 1/2008 Saridakis ..... D12/187
- D570,742 S 6/2008 Takagi et al.
- D592,105 S 5/2009 Dean et al.
- D597,447 S 8/2009 Folden
- D600,595 S 9/2009 Nakamura et al.
- D601,925 S 10/2009 O'Donnell
- D603,755 S 11/2009 Peters
- D604,203 S 11/2009 O'Donnell
- D605,082 S 12/2009 Munson
- D605,083 S 12/2009 Manoogian, II et al.



(56)

References Cited

U.S. PATENT DOCUMENTS

D659,053 S	5/2012	Ware et al.		D749,026 S	2/2016	Smith et al.
D663,662 S *	7/2012	Hamilton .....	D12/187	D749,027 S	2/2016	McMahan et al.
D666,542 S *	9/2012	Asano .....	D12/187	D749,246 S	2/2016	Thole et al.
D668,182 S	10/2012	Barba Franco et al.		D749,249 S	2/2016	Thole et al.
D668,183 S	10/2012	Smart		D749,250 S	2/2016	Thole et al.
8,297,584 B2 *	10/2012	Mueller .....	B60R 1/06 248/475.1	D749,985 S	2/2016	Kozub et al.
				D749,997 S	2/2016	McMahan et al.
D678,820 S	3/2013	Son et al.		D750,001 S	2/2016	Thole et al.
D678,821 S	3/2013	Ikeda et al.		D753,032 S	4/2016	Smith et al.
D680,909 S	4/2013	Munson et al.		D753,033 S	4/2016	Thole et al.
D680,910 S	4/2013	David		D753,034 S	4/2016	Thole et al.
D684,899 S	6/2013	Baker		D753,035 S	4/2016	Boniface et al.
D686,536 S	7/2013	McCabe et al.		D753,559 S	4/2016	McMahan et al.
D691,076 S *	10/2013	Vincent .....	D12/187	D753,560 S	4/2016	McMahan et al.
D692,798 S	11/2013	Thurber		D753,567 S	4/2016	Boniface et al.
D692,799 S	11/2013	Smith et al.		D754,571 S	4/2016	Boniface et al.
D696,157 S	12/2013	Loeb		D754,572 S	4/2016	McMahan et al.
D699,629 S	2/2014	Ikeda et al.		D755,088 S	5/2016	McMahan et al.
D700,871 S	3/2014	O'Donnell et al.		D756,869 S	5/2016	McMahan et al.
D703,103 S	4/2014	Lee		D758,271 S	6/2016	McMahan et al.
D704,103 S	5/2014	Mack et al.		D764,975 S	8/2016	Aengenheyster
D705,132 S	5/2014	Ware et al.		D764,976 S	8/2016	Aengenheyster
D705,699 S	5/2014	Ware et al.		D767,449 S	9/2016	Pevovar et al.
D710,775 S *	8/2014	Minamisawa .....	D12/187	D767,450 S	9/2016	Lee et al.
D713,298 S	9/2014	Dyson		D767,451 S	9/2016	Kozub et al.
D713,764 S	9/2014	Ferlazzo et al.		D767,454 S	9/2016	McMahan et al.
D716,696 S	11/2014	Thole et al.		D767,458 S	9/2016	Kim
D716,706 S	11/2014	Thole et al.		D767,459 S	9/2016	Kim
D716,709 S	11/2014	Thole et al.		D767,460 S	9/2016	Kozub et al.
D717,696 S	11/2014	Thole et al.		D767,461 S	9/2016	Kozub et al.
D718,189 S	11/2014	Krieg et al.		D771,528 S	11/2016	Smith et al.
D718,683 S	12/2014	Thole et al.		D771,529 S	11/2016	Thole et al.
D718,689 S *	12/2014	Blanski .....	D12/187	D771,532 S	11/2016	Kapitonov
D722,282 S	2/2015	Loeb		D771,533 S	11/2016	Kapitonov
D722,533 S	2/2015	Thole et al.		D772,766 S	11/2016	Kozub et al.
D722,534 S	2/2015	Munson et al.		D772,767 S	11/2016	Kim
D724,510 S	3/2015	McMahan et al.		D773,084 S	11/2016	Kapitonov
D725,001 S	3/2015	McMahan et al.		D773,086 S	11/2016	McCabe et al.
D726,591 S	4/2015	Jacob		D774,226 S	12/2016	McCabe et al.
D730,776 S	6/2015	Smart		D775,003 S	12/2016	Pevovar et al.
D730,783 S	6/2015	Henriques et al.		D775,007 S	12/2016	Thole et al.
D732,427 S	6/2015	Loeb		D775,010 S	12/2016	Kim et al.
D732,429 S	6/2015	Loeb		D775,049 S	12/2016	Scheer et al.
D732,430 S	6/2015	Loeb		D775,549 S	1/2017	Karras
D732,431 S	6/2015	Loeb		D775,554 S	1/2017	Kapitonov
D732,432 S	6/2015	Aengenheyster		D776,020 S	1/2017	Kapitonov
D732,433 S	6/2015	Aengenheyster		D776,581 S	1/2017	Pevovar et al.
D732,435 S	6/2015	Mackay		D776,583 S	1/2017	Scheer et al.
D733,002 S	6/2015	Loeb		D776,841 S	1/2017	Kozub et al.
D735,611 S	8/2015	Aengenheyster		D776,843 S	1/2017	McCabe et al.
D735,627 S	8/2015	Smith		D776,846 S	1/2017	Willett et al.
D736,451 S	8/2015	Smith		D777,068 S *	1/2017	Sterner .....
D739,306 S	9/2015	McMahan		D777,359 S	1/2017	Kozub et al.
D739,317 S	9/2015	McMahan et al.		D777,360 S	1/2017	Kozub et al.
D741,223 S	10/2015	Kim et al.		D777,361 S	1/2017	Kozub et al.
D743,309 S	11/2015	Thole et al.		D777,604 S	1/2017	McNerney
D743,313 S	11/2015	Smith et al.		D777,605 S	1/2017	Ferlazzo et al.
D743,314 S	11/2015	Thole et al.		D777,620 S	1/2017	Pevovar et al.
D743,857 S	11/2015	McMahan et al.		D777,621 S	1/2017	Kim
D744,158 S	11/2015	Willett et al.		D777,622 S	1/2017	Kozub et al.
D745,086 S	12/2015	Finos et al.		D777,628 S	1/2017	Kozub et al.
D745,719 S	12/2015	Boniface et al.		D777,955 S	1/2017	Willett et al.
D745,725 S	12/2015	McMahan et al.		D778,212 S	2/2017	Kozub et al.
D745,726 S	12/2015	McMahan et al.		D778,215 S	2/2017	Kozub et al.
D745,837 S	12/2015	Smith et al.		D780,064 S	2/2017	Smith et al.
D746,196 S *	12/2015	Di Buduo .....	D12/187	D780,067 S	2/2017	Zipfel et al.
D746,726 S	1/2016	Smith et al.		D780,068 S	2/2017	Whitla et al.
D746,727 S	1/2016	Smith et al.		D780,077 S	2/2017	Kim et al.
D746,728 S	1/2016	Smith et al.		D780,081 S	2/2017	Lee
D746,729 S	1/2016	Boniface et al.		D780,084 S	2/2017	Scheer et al.
D746,730 S	1/2016	Kim et al.		D780,631 S	3/2017	Kozub et al.
D747,514 S	1/2016	McMahan et al.		D780,644 S	3/2017	Kim et al.
D747,515 S	1/2016	McMahan et al.		D781,184 S	3/2017	Thole et al.
D747,819 S	1/2016	Thole et al.		D781,192 S	3/2017	Kozub et al.
D749,021 S	2/2016	Boniface et al.		D782,379 S	3/2017	Wassell
				D783,482 S	4/2017	Smith et al.
				D784,213 S	4/2017	Karras
				D784,223 S	4/2017	Lee
				D784,226 S	4/2017	Cheng



(56)

References Cited

U.S. PATENT DOCUMENTS

D784,579 S	4/2017	Cheng et al.	D793,299 S	8/2017	Krieg et al.
D784,877 S	4/2017	Lee	D793,300 S	8/2017	Krieg et al.
D784,886 S	4/2017	Smith et al.	D793,301 S	8/2017	Kozub
D785,521 S	5/2017	Smith et al.	D793,302 S	8/2017	Kozub
D785,524 S *	5/2017	Kim ..... D12/187	D793,311 S	8/2017	Whitla et al.
D786,149 S	5/2017	Pevovar et al.	D793,590 S	8/2017	Kozub et al.
D786,743 S	5/2017	Smith et al.	D793,591 S	8/2017	Kozub et al.
D786,750 S	5/2017	Lee	D793,917 S	8/2017	Kozub
D787,446 S	5/2017	Cockerill	D793,918 S	8/2017	Kozub
D787,984 S	5/2017	Fang	D794,229 S	8/2017	Barry
D787,988 S	5/2017	Lee	D794,230 S	8/2017	Kozub
D787,989 S	5/2017	Kozub et al.	D795,747 S	8/2017	Bailie
D787,990 S	5/2017	Kozub et al.	D795,757 S	8/2017	Pevovar et al.
D787,992 S	5/2017	Lee	D795,758 S	8/2017	Karras
D787,993 S	5/2017	McCabe et al.	D795,759 S	8/2017	Kozub et al.
D788,001 S	5/2017	Lee	D795,760 S	8/2017	Kozub et al.
D788,641 S	6/2017	Arnold	D795,762 S	8/2017	Lee
D788,644 S	6/2017	Mueller	D795,763 S	8/2017	Kozub
D788,645 S	6/2017	Mueller	D796,088 S	8/2017	McCabe et al.
D789,250 S	6/2017	Arnold	D796,093 S	8/2017	Mainville
D789,260 S	6/2017	Smith	D796,390 S	9/2017	Pevovar et al.
D789,575 S	6/2017	Willett	D797,537 S	9/2017	Cooper et al.
D789,841 S	6/2017	Lee	D797,603 S	9/2017	Noone et al.
D789,849 S	6/2017	Lee	D797,614 S	9/2017	Lee
D791,018 S	7/2017	Mylenek	D797,616 S	9/2017	Lee
D791,644 S	7/2017	Fang	D797,624 S	9/2017	Nakamura
D792,290 S	7/2017	Smith et al.	D797,625 S	9/2017	Perkins
D792,293 S	7/2017	McCabe et al.	D797,631 S	9/2017	Pevovar et al.
D792,294 S	7/2017	McCabe et al.	D797,632 S	9/2017	Zipfel et al.
D792,295 S	7/2017	McCabe et al.	D797,967 S	9/2017	Barry
D792,815 S	7/2017	Kozub	D797,970 S	9/2017	Mainville
D792,816 S	7/2017	Kozub	D797,971 S	9/2017	Mainville
D793,290 S	8/2017	Kozub	D797,972 S	9/2017	Whitla et al.
D793,292 S	8/2017	Lee	D798,204 S	9/2017	Mainville
D793,293 S	8/2017	Lee et al.	D799,384 S	10/2017	Kozub et al.
D793,294 S	8/2017	Lee	D799,385 S	10/2017	Kozub et al.
D793,295 S	8/2017	McCabe et al.	D799,386 S	10/2017	Kozub et al.
D793,296 S	8/2017	Smith et al.	D799,728 S	10/2017	Whitla et al.
D793,297 S	8/2017	Smith et al.	D802,502 S *	11/2017	McMahan ..... D12/187
			D809,442 S *	2/2018	Zipfel ..... D12/187

\* cited by examiner

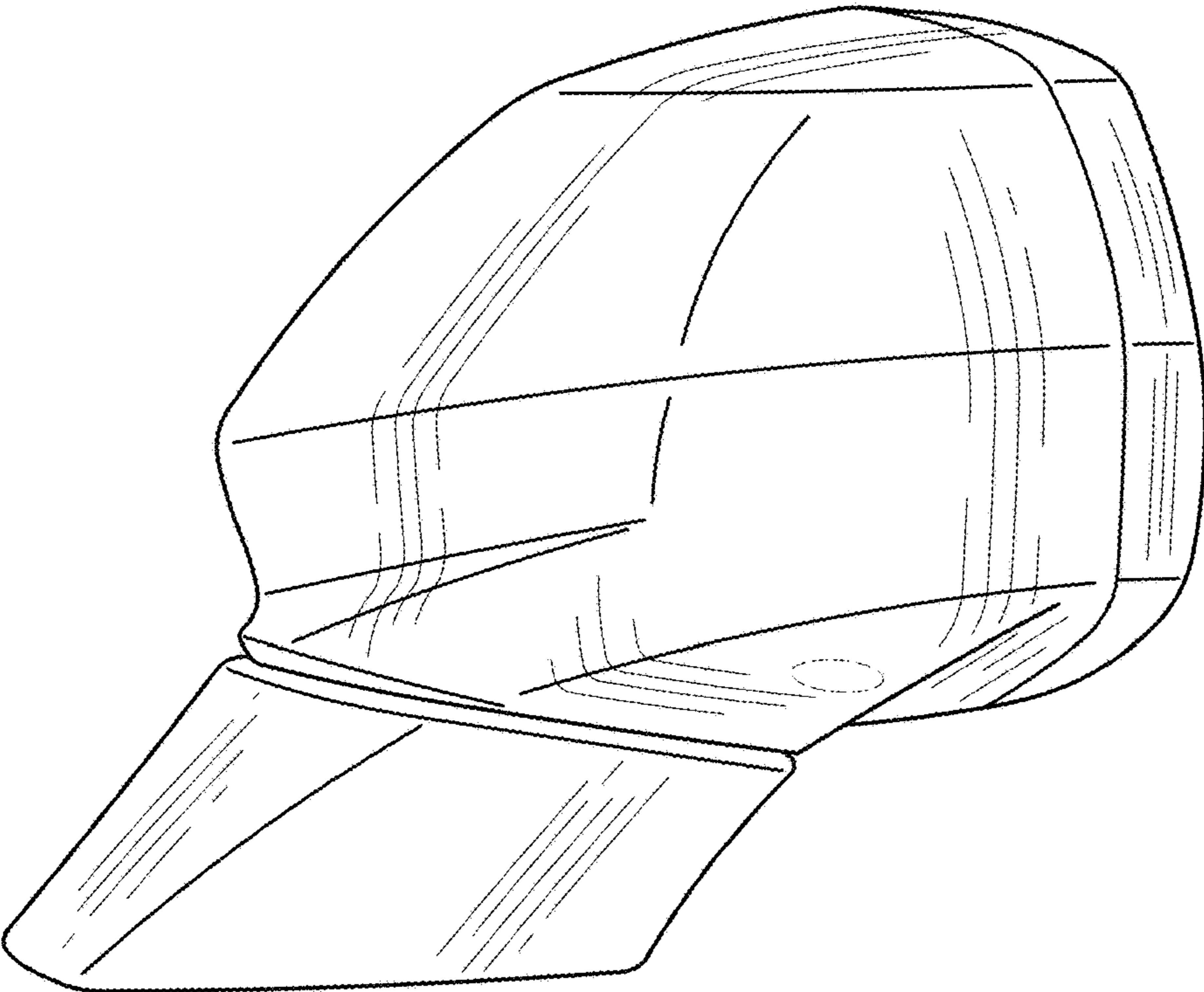


FIG - 1

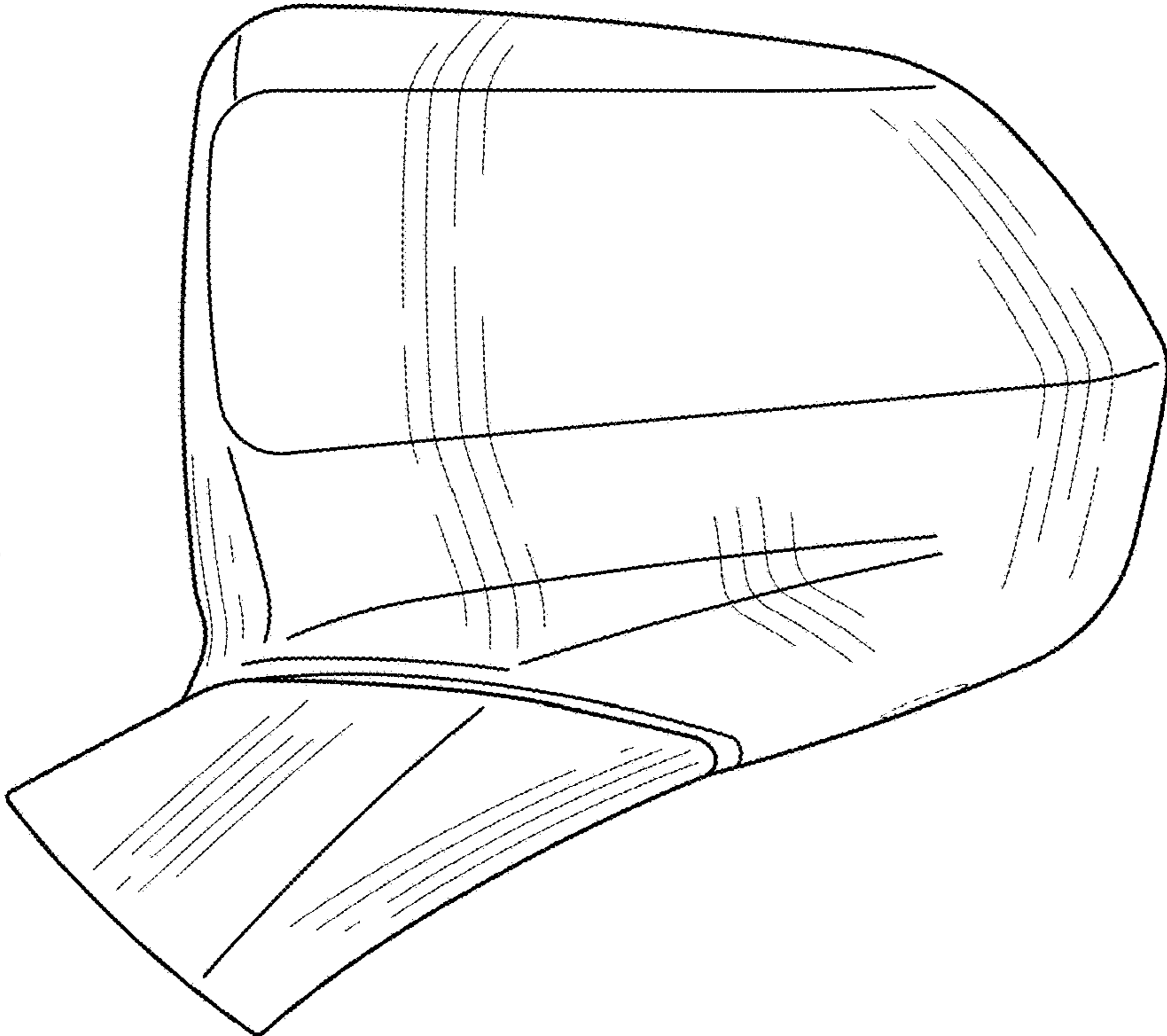


FIG - 2

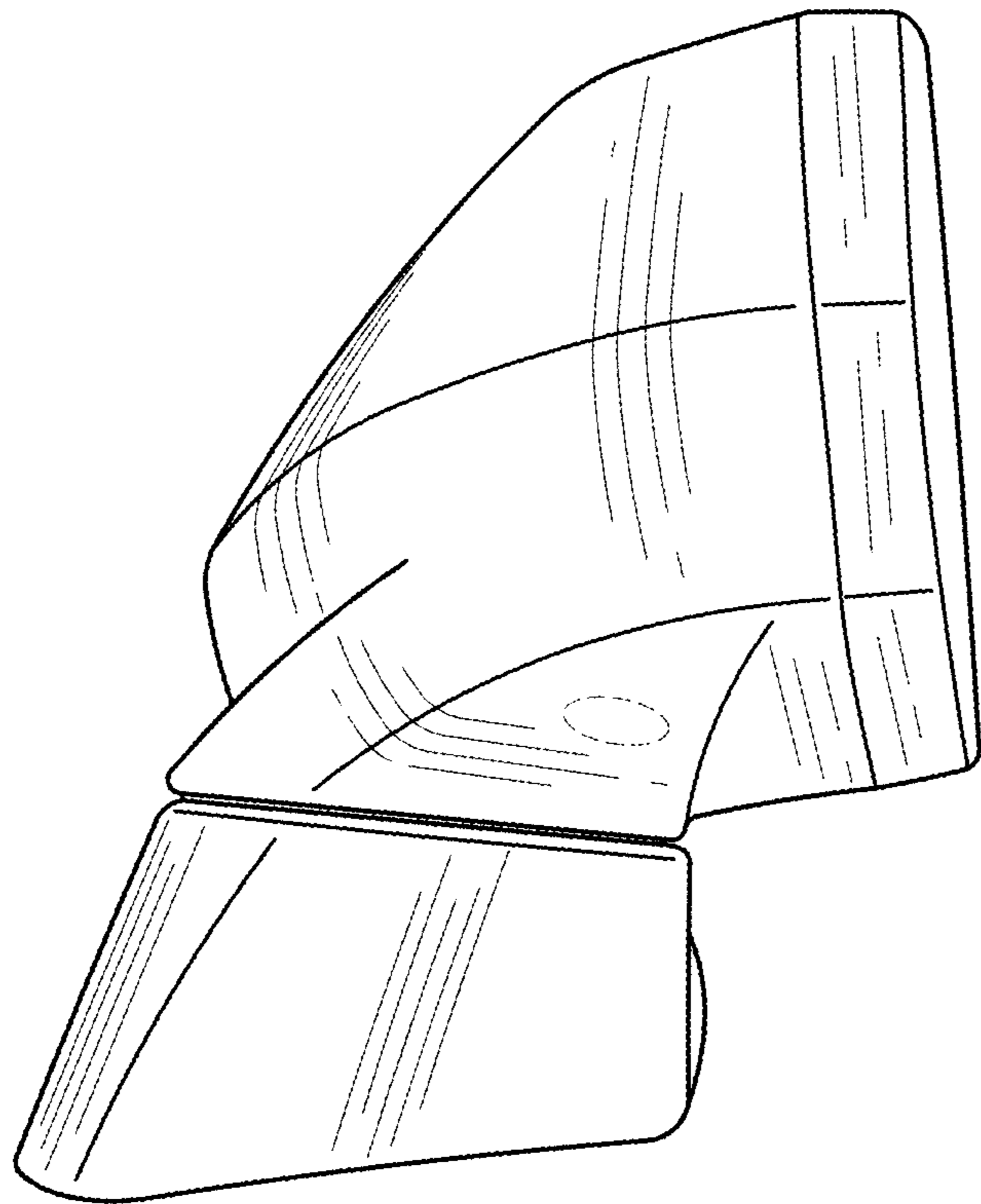


FIG - 3

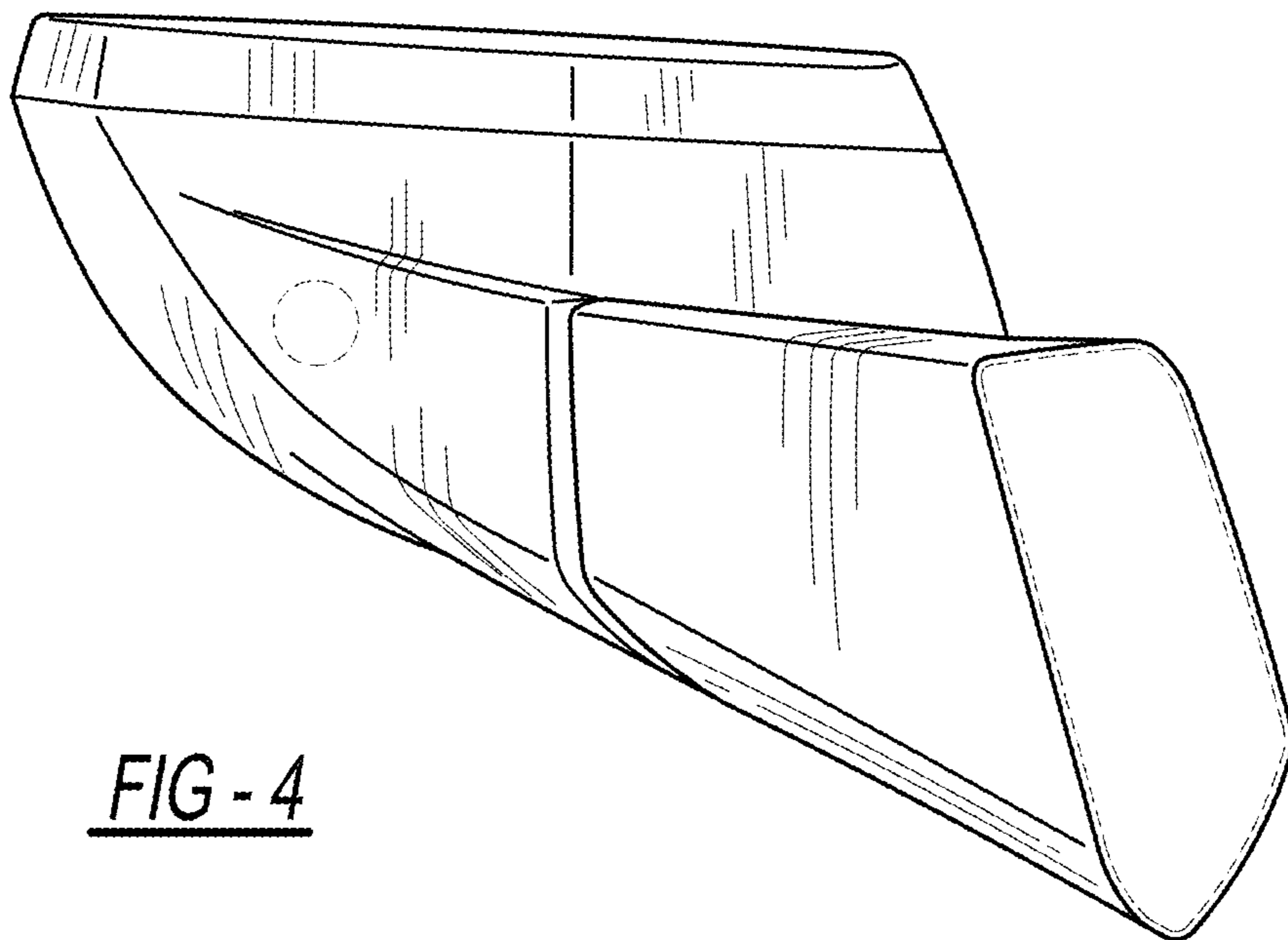


FIG - 4

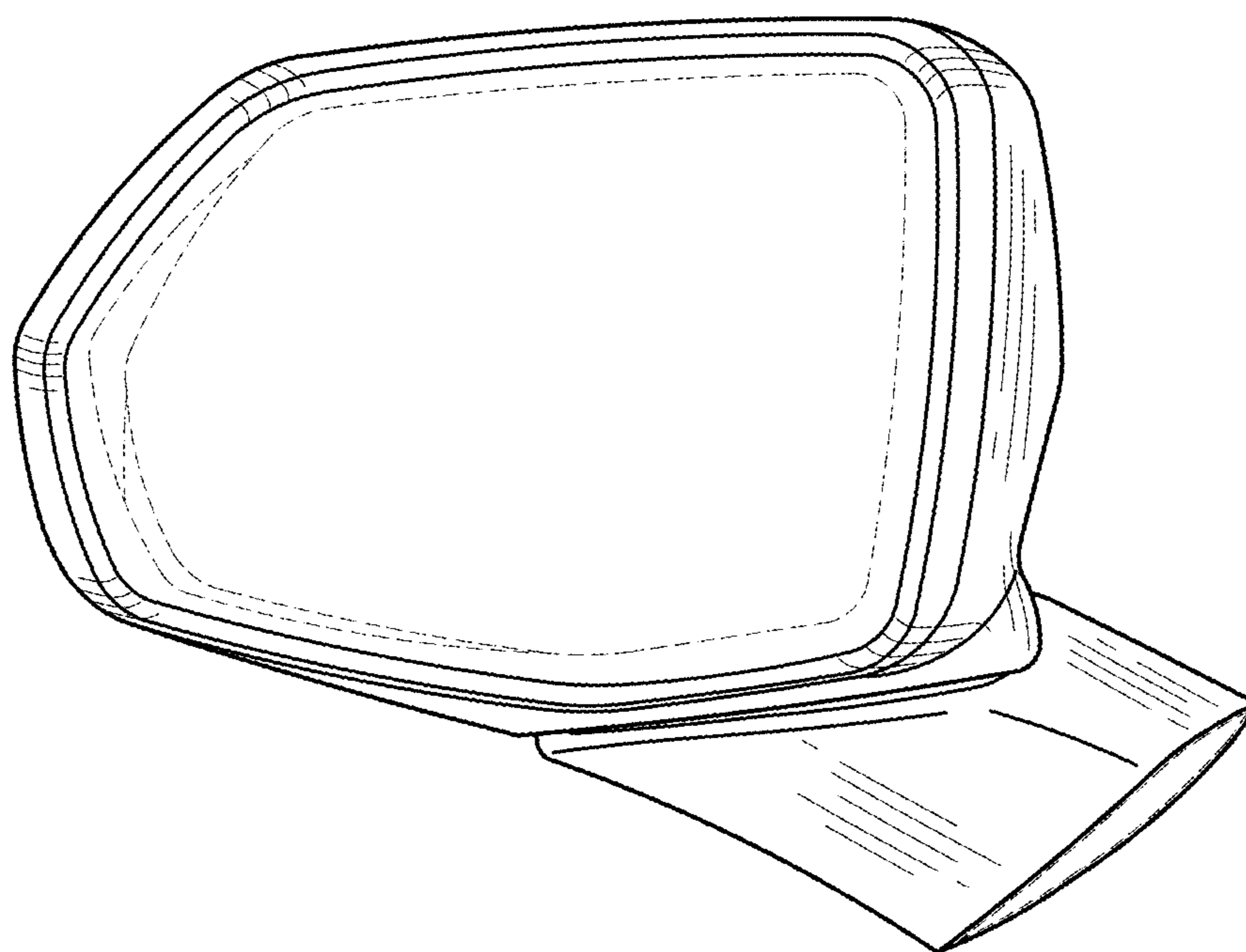


FIG - 5