

US00D840300S

(12) **United States Design Patent** (10) **Patent No.:** **US D840,300 S**  
**Singh** (45) **Date of Patent:** **\*\* Feb. 12, 2019**

(54) **VEHICLE BUMPER DEER GUARD**  
(71) Applicant: **Raman Singh**, Fresno, CA (US)  
(72) Inventor: **Raman Singh**, Fresno, CA (US)  
(73) Assignee: **TRUXCO PARTS INC.**, Fresno, CA (US)  
(\*\*) Term: **15 Years**

6,682,111 B1 1/2004 Houseman et al.  
D523,383 S \* 6/2006 Fox ..... D12/171  
D528,481 S \* 9/2006 Taveras ..... D12/171  
D551,138 S \* 9/2007 Storer ..... D12/171  
D577,319 S \* 9/2008 Storer ..... D12/171  
D606,913 S \* 12/2009 Robertson ..... D12/171  
D614,096 S \* 4/2010 Fretz ..... D12/171  
8,585,107 B2 \* 11/2013 Kekich, Jr. .... B60R 19/52  
293/115  
9,840,218 B1 \* 12/2017 Wymore ..... B60R 19/50  
(Continued)

(21) Appl. No.: **29/611,176**  
(22) Filed: **Jul. 19, 2017**  
(51) **LOC (11) Cl.** ..... **12-16**  
(52) **U.S. Cl.**  
USPC ..... **D12/171; D12/167**  
(58) **Field of Classification Search**  
USPC ..... D12/90-92, 98, 163, 167, 169, 171, 172  
CPC ..... B60R 19/52; B60R 2019/522  
See application file for complete search history.

**OTHER PUBLICATIONS**

Rigguard. (n.d.). Retrieved Jul. 18, 2017, from <http://www.rigguard.com/>.  
(Continued)

*Primary Examiner* — Darlington Ly  
(74) *Attorney, Agent, or Firm* — Dunlap Bennett & Ludwig PLLC; Brendan E. Squire

(56) **References Cited**

**U.S. PATENT DOCUMENTS**

D259,873 S \* 7/1981 Milner ..... D12/171  
D280,398 S \* 9/1985 Milton ..... D12/171  
D300,420 S \* 3/1989 Trinnaman ..... D12/171  
D307,256 S \* 4/1990 Holland ..... D12/171  
D319,205 S \* 8/1991 Heck ..... D12/171  
D333,457 S \* 2/1993 La Foe ..... D12/171  
D361,316 S \* 8/1995 Orth, Sr. .... D12/171  
D383,719 S \* 9/1997 Thorne ..... D12/171  
D384,625 S \* 10/1997 Thorne ..... D12/171  
D388,042 S \* 12/1997 Thorne ..... D12/171  
D396,678 S \* 8/1998 Shklyaver ..... D12/171  
D410,879 S \* 6/1999 Orth, Sr. .... D12/171  
D416,219 S \* 11/1999 Waagenaar ..... D12/171  
D440,530 S \* 4/2001 Geisler ..... D12/171  
6,447,032 B1 \* 9/2002 Howell, Sr. .... B60R 9/06  
211/59.2  
6,612,595 B1 \* 9/2003 Storer ..... B60R 3/00  
280/163

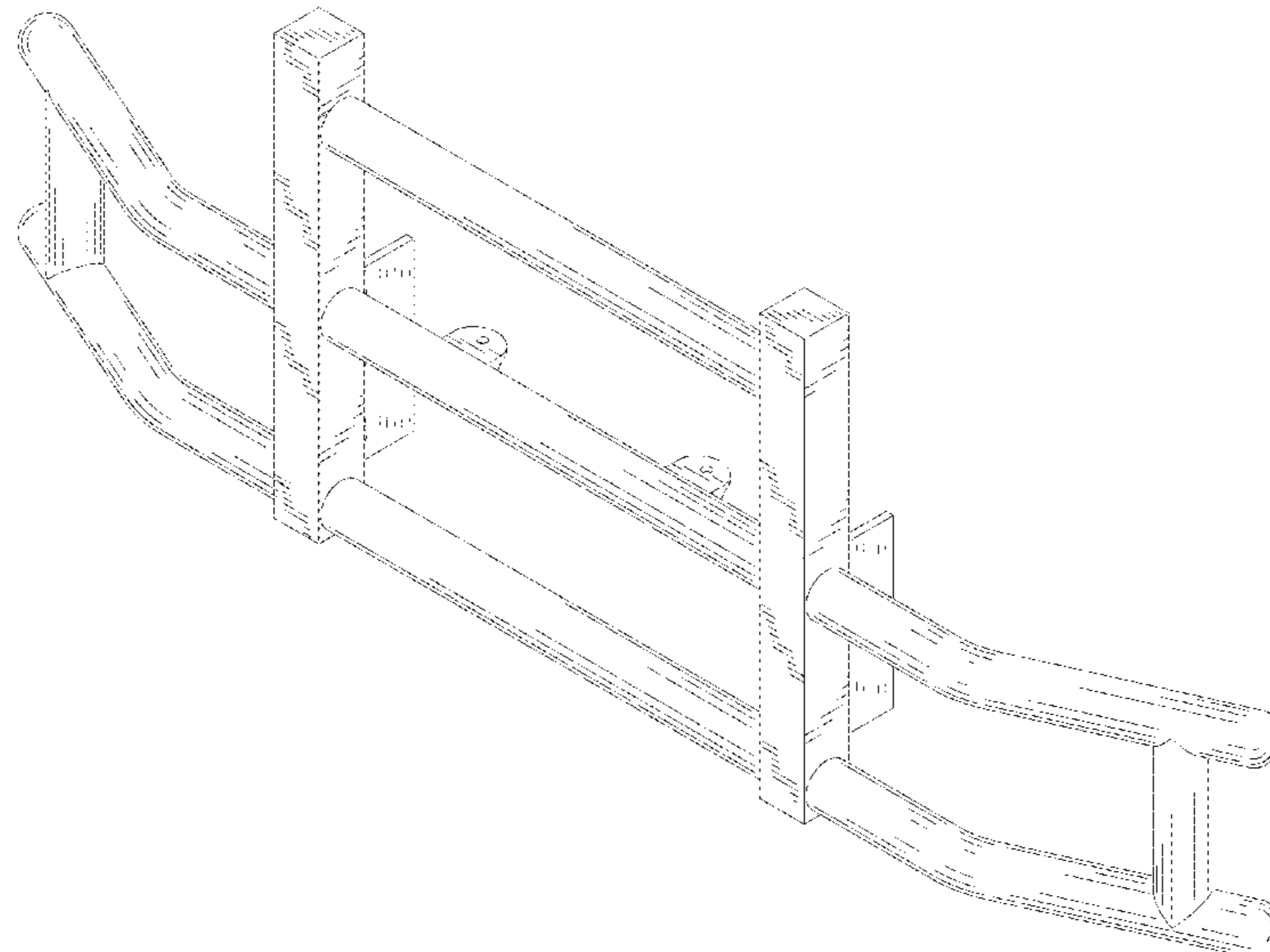
(57) **CLAIM**

The ornamental design for a vehicle bumper deer guard, as shown and described.

**DESCRIPTION**

FIG. 1 is a perspective view of the vehicle bumper deer guard showing my new design;  
FIG. 2 is a front elevation view thereof;  
FIG. 3 is a top plan view thereof;  
FIG. 4 is a bottom plan view thereof;  
FIG. 5 is a rear elevation view thereof;  
FIG. 6 is a left side elevation view thereof; the right side elevation being a mirror image thereof; and,  
FIG. 7 is a perspective view thereof, shown in use.  
The broken line showing of the truck is provided for the purpose of illustrating environmental structure and forms no part of the claimed design.

**1 Claim, 4 Drawing Sheets**



(56)

**References Cited**

U.S. PATENT DOCUMENTS

D811,295 S \* 2/2018 Drever ..... D12/171  
D823,750 S \* 7/2018 Schulzetenberg ..... D12/171

OTHER PUBLICATIONS

(N.d.). Retrieved Jul. 18, 2017, from [https://www.pickupspecialties.com/grill\\_guards/BigTex/go\\_industries\\_big\\_tex\\_grille\\_guards.htm](https://www.pickupspecialties.com/grill_guards/BigTex/go_industries_big_tex_grille_guards.htm).

\* cited by examiner

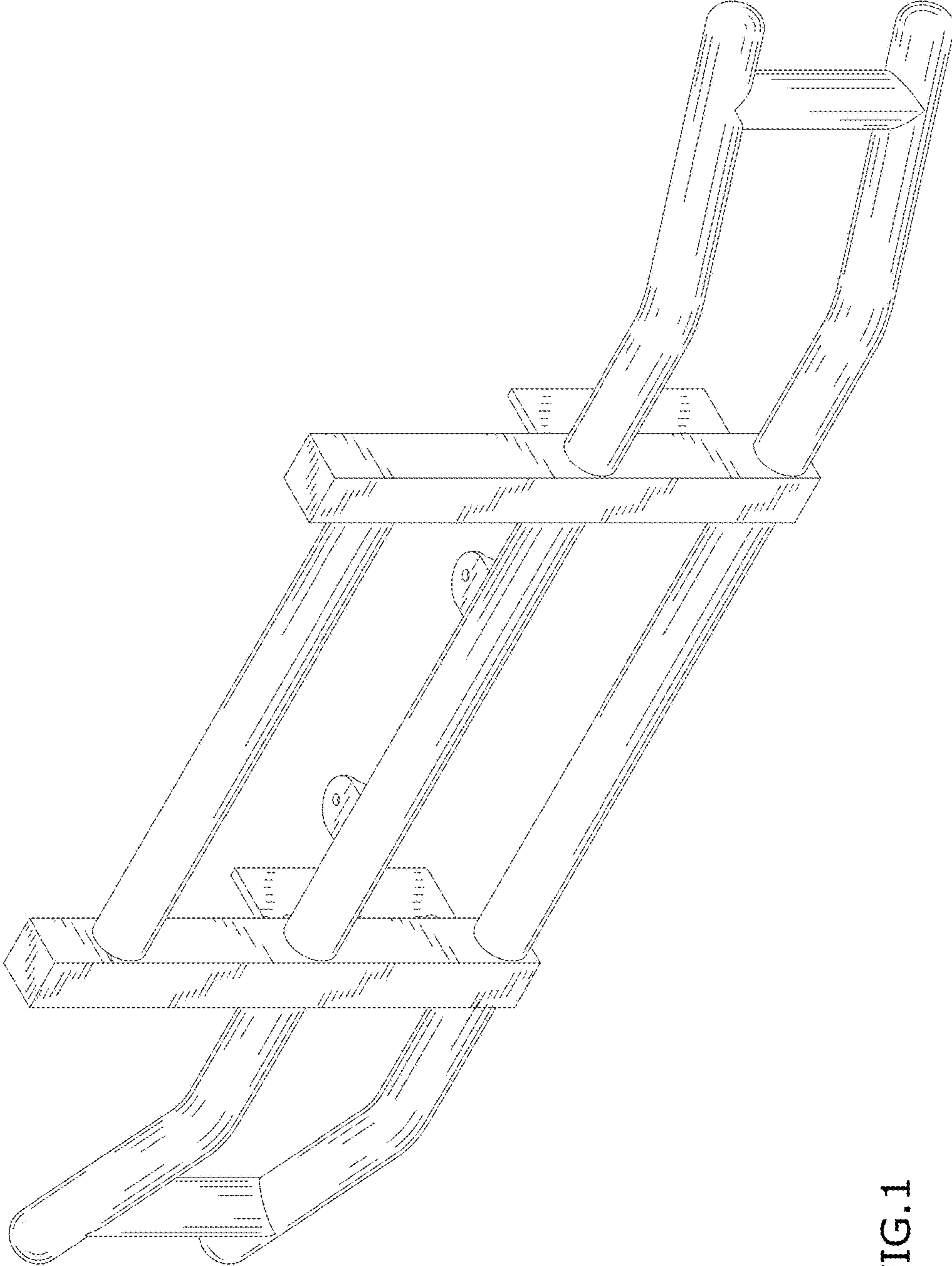


FIG.1

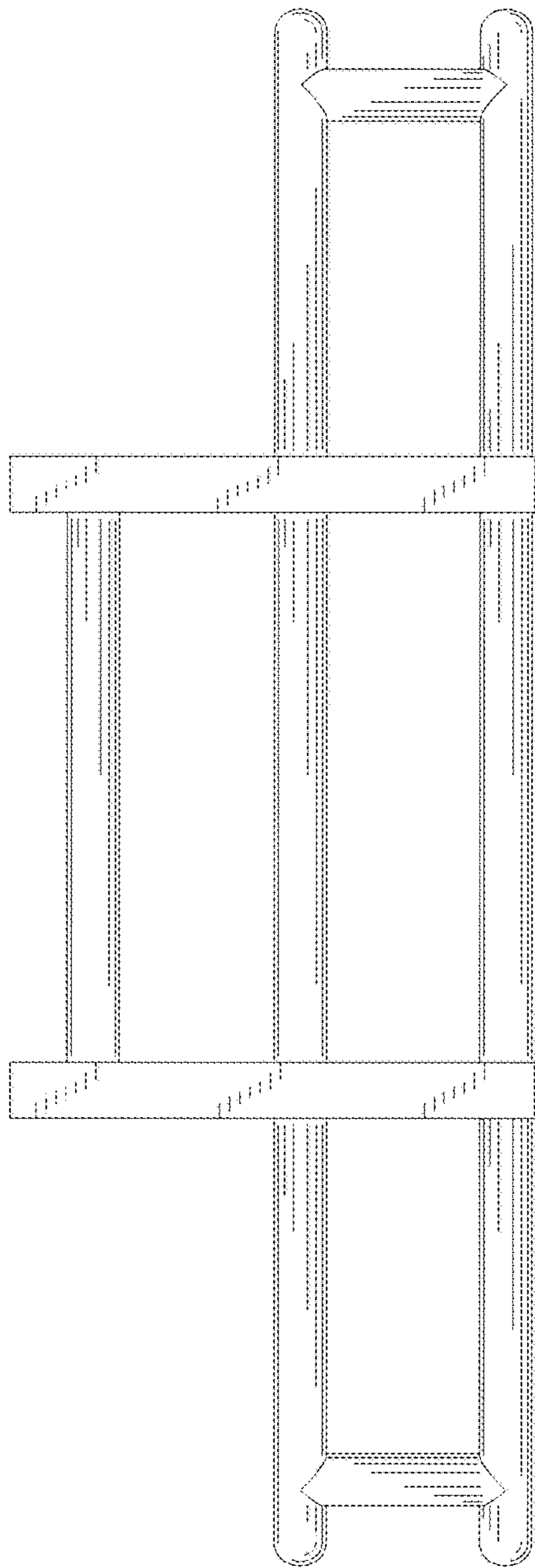


FIG. 2

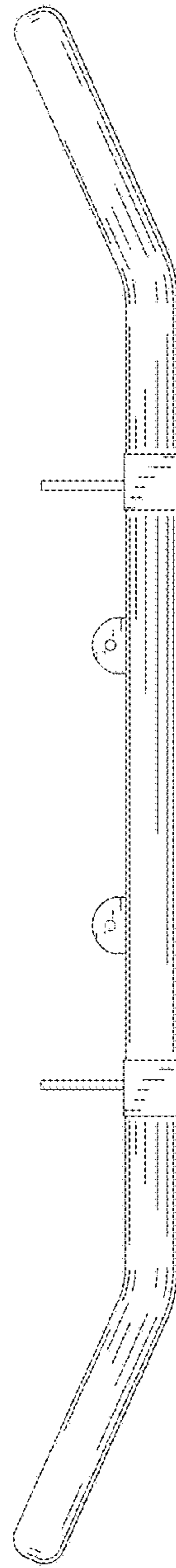


FIG. 3

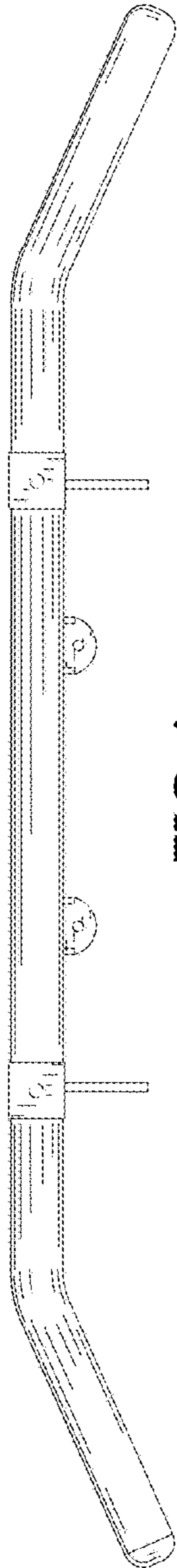


FIG. 4

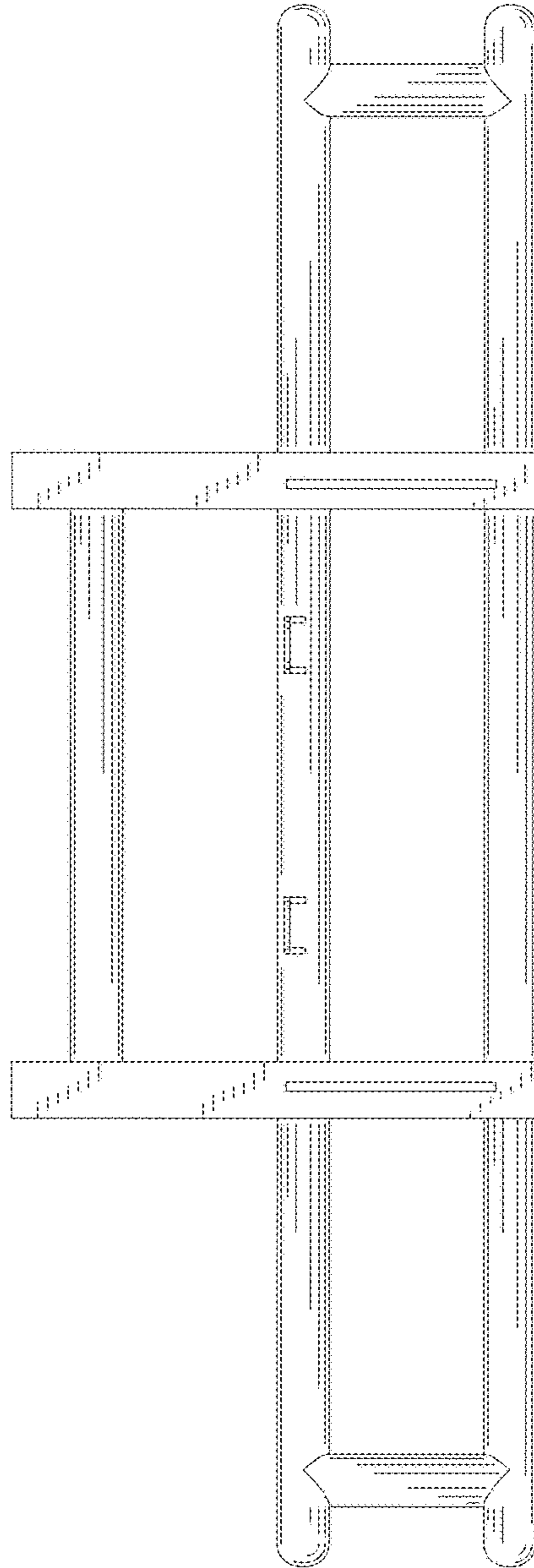


FIG. 5

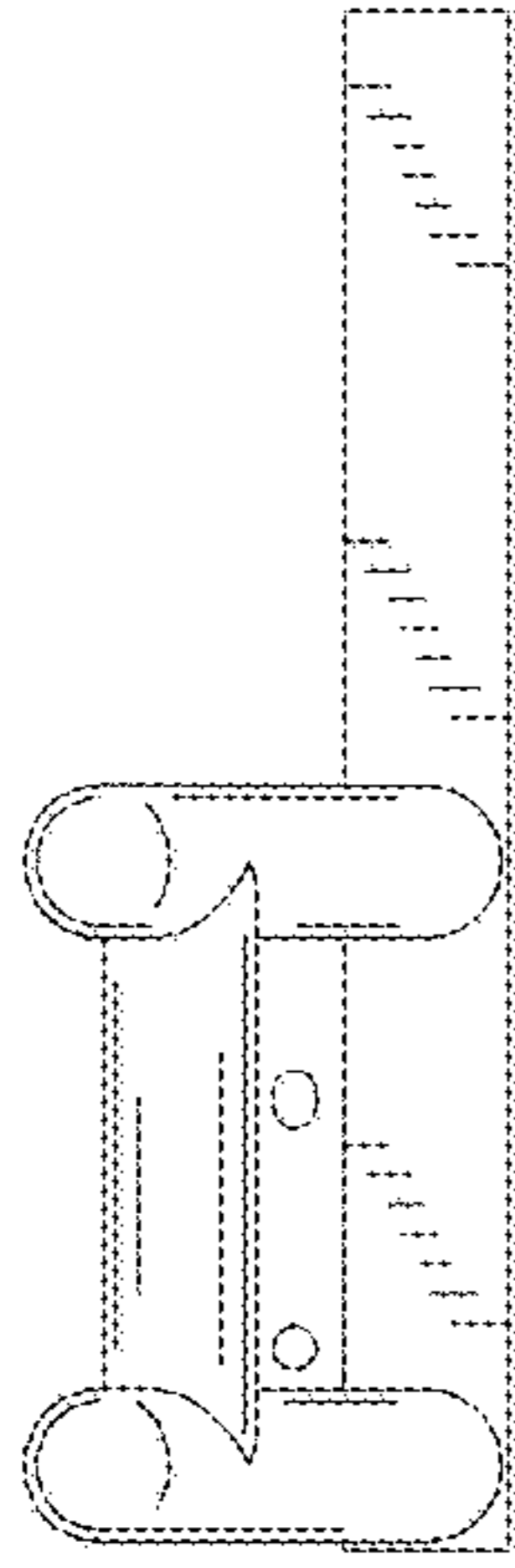


FIG. 6

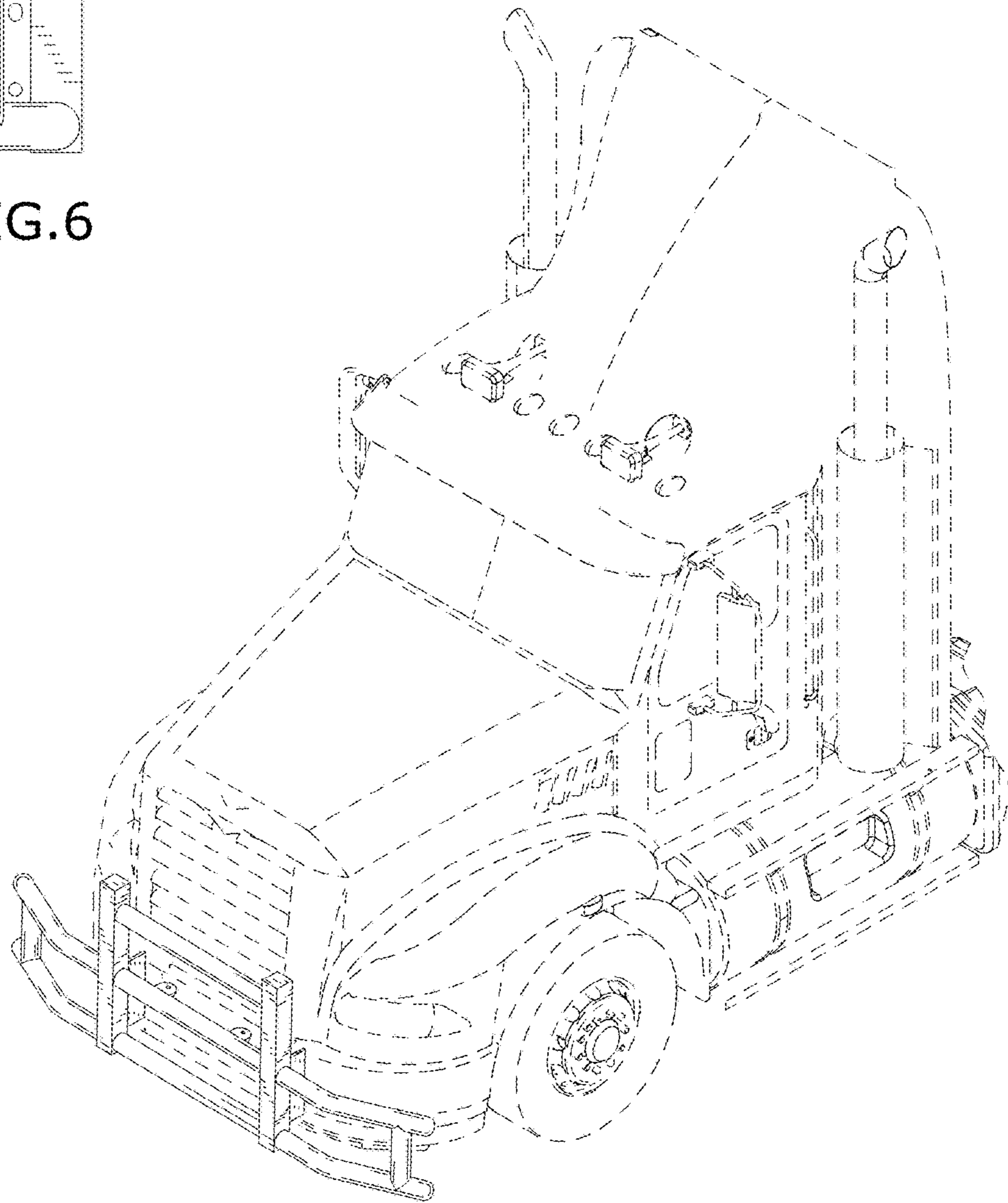


FIG. 7