



US00D840297S

(12) **United States Design Patent** (10) **Patent No.:** **US D840,297 S**
Tovey (45) **Date of Patent:** **** Feb. 12, 2019**

(54) **FRONT BUMPER**
(71) Applicant: **Jaguar Land Rover Limited**, Whitley, Coventry (GB)
(72) Inventor: **Simon Tovey**, Coventry (GB)
(73) Assignee: **Jaguar Land Rover Limited**, Whitley, Coventry (GB)

(**) Term: **15 Years**
(21) Appl. No.: **29/624,761**
(22) Filed: **Nov. 3, 2017**

(30) **Foreign Application Priority Data**

May 11, 2017 (EM) 003997089

(51) **LOC (11) Cl.** **12-16**
(52) **U.S. Cl.**
USPC **D12/169**
(58) **Field of Classification Search**
CPC B60R 19/02; B60R 19/04; B62D 25/08
See application file for complete search history.

(56) **References Cited**

U.S. PATENT DOCUMENTS

D563,843 S * 3/2008 Kido D12/169
D682,168 S * 5/2013 Fuchigami D12/169
D698,710 S * 2/2014 Endo D12/169
D699,166 S * 2/2014 Abe D12/169
D718,676 S * 12/2014 Ishizuka D12/169
D718,677 S * 12/2014 Whang D12/169
D721,992 S * 2/2015 Takei D12/169
D725,007 S * 3/2015 Beaven D12/164
D749,999 S * 2/2016 Curic D12/169
D750,537 S * 3/2016 Hatton D12/169
D750,538 S * 3/2016 Buck D12/169
D773,348 S * 12/2016 Munakata D12/169
D773,349 S * 12/2016 Munakata D12/169

D786,748 S * 5/2017 Hellwig D12/169
D792,297 S * 7/2017 Komuro D12/169
D793,925 S * 8/2017 Park D12/169
D803,112 S * 11/2017 Tomita D12/169
D810,638 S * 2/2018 Kwon D12/169
D811,957 S * 3/2018 Whitla D12/169
D814,369 S * 4/2018 Loeb D12/169
D815,998 S * 4/2018 Badstuebner D12/169
D822,558 S * 7/2018 Kim D12/169

(Continued)

Primary Examiner — Melody N Brown
(74) *Attorney, Agent, or Firm* — Wood Herron & Evans LLP

(57) **CLAIM**

The ornamental design for a front bumper, as shown and described.

DESCRIPTION

FIG. 1 is a right, front perspective view of a front bumper showing my new design;
FIG. 2 is a left, front perspective view thereof;
FIG. 3 is a left, rear perspective view thereof;
FIG. 4 is a right, rear perspective view thereof;
FIG. 5 is a front elevational view thereof;
FIG. 6 is a rear elevational view thereof;
FIG. 7 is a left side elevational view thereof;
FIG. 8 is a right side elevational view thereof;
FIG. 9 is a top plan view thereof;
FIG. 10 is a bottom plan view thereof; and,
FIG. 11 is another front elevational view thereof shown on a vehicle.
The portions of the vehicle shown in the FIG. 11 drawing view in a de-emphasized and half-tone form outside the broken lines and the broken lines representing the boundary and configuration of what is claimed as the design are all for environmental and illustrative purposes only and form no part of the claimed design.

1 Claim, 11 Drawing Sheets



(56)

References Cited

U.S. PATENT DOCUMENTS

D826,114 S	*	8/2018	Smith	D12/169
D827,515 S	*	9/2018	Whang	D12/169
D827,516 S	*	9/2018	Ashida	D12/169

* cited by examiner

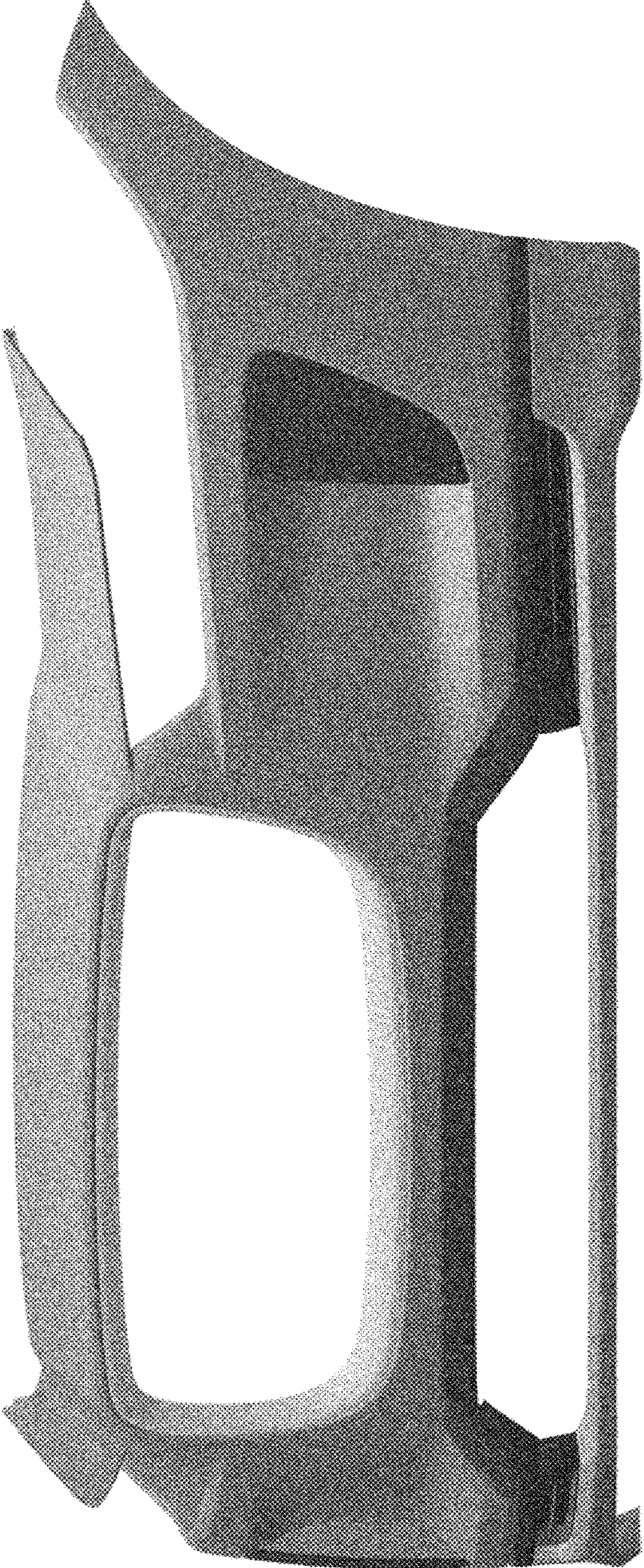


FIG. 1

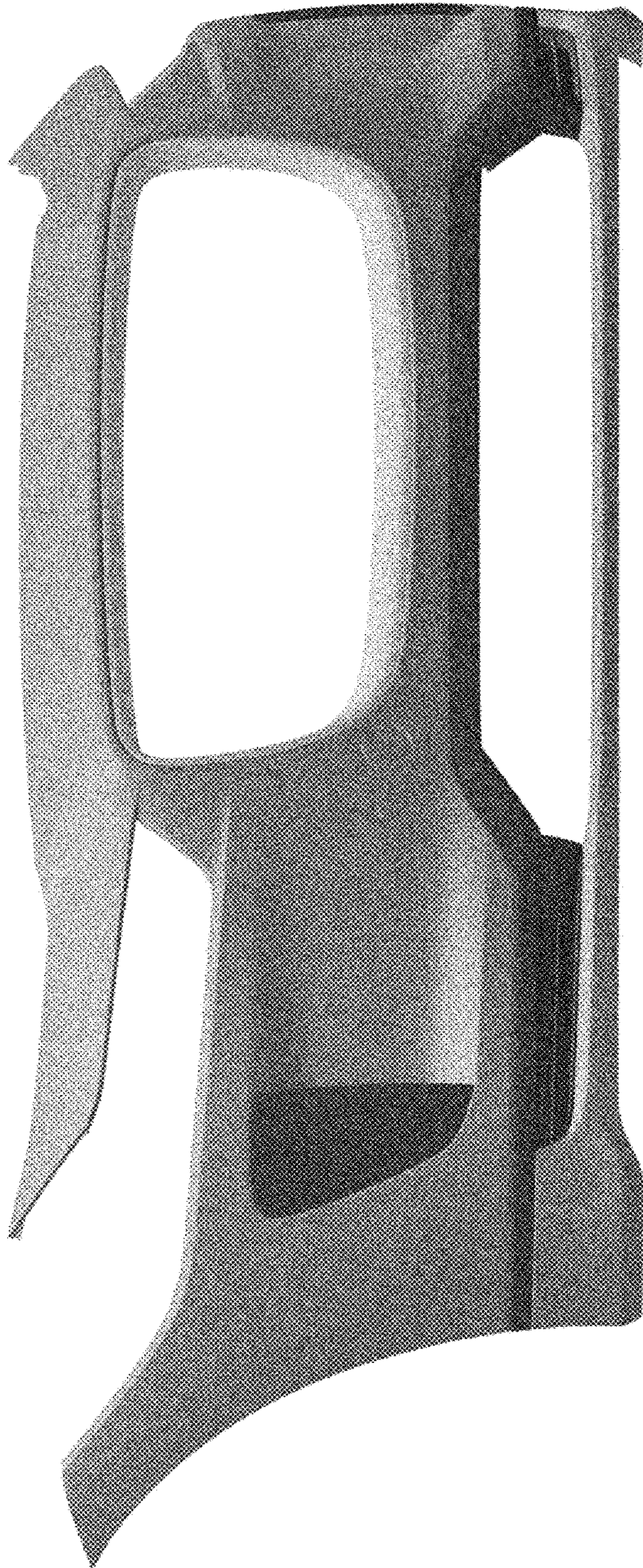


FIG. 2

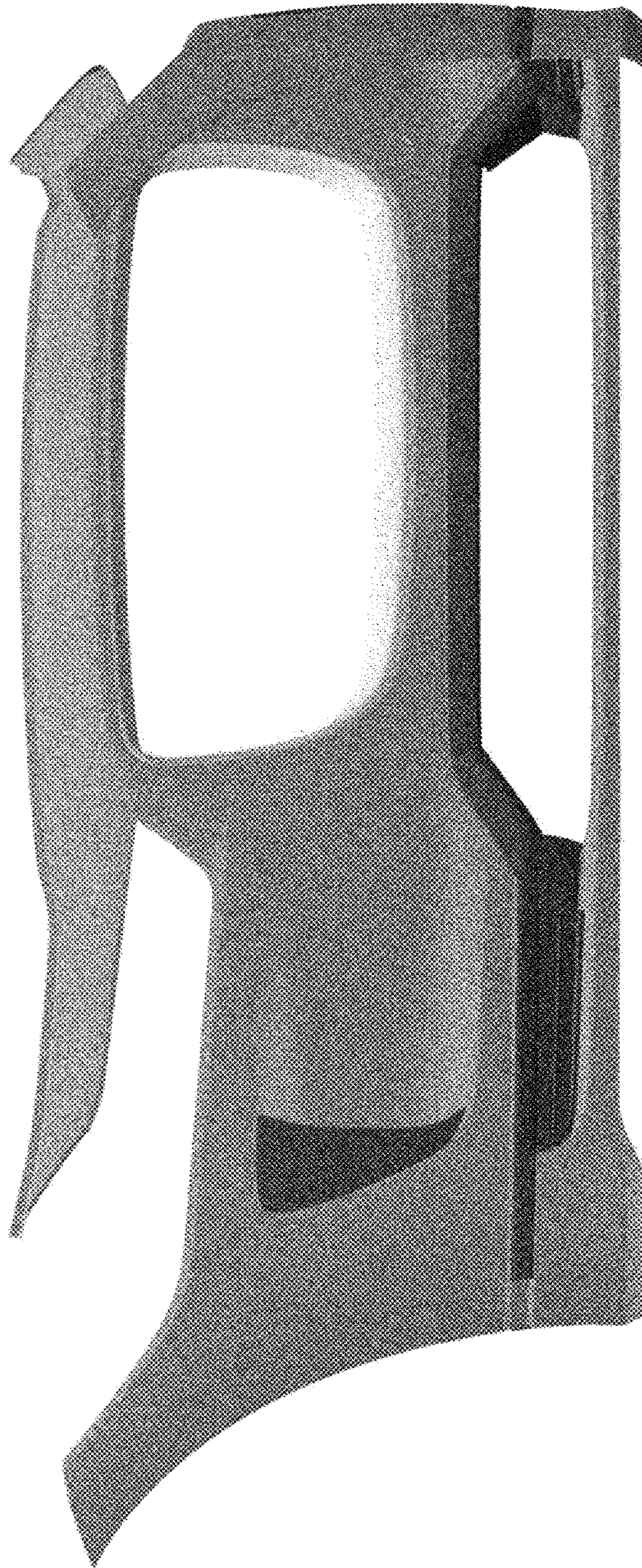


FIG. 3

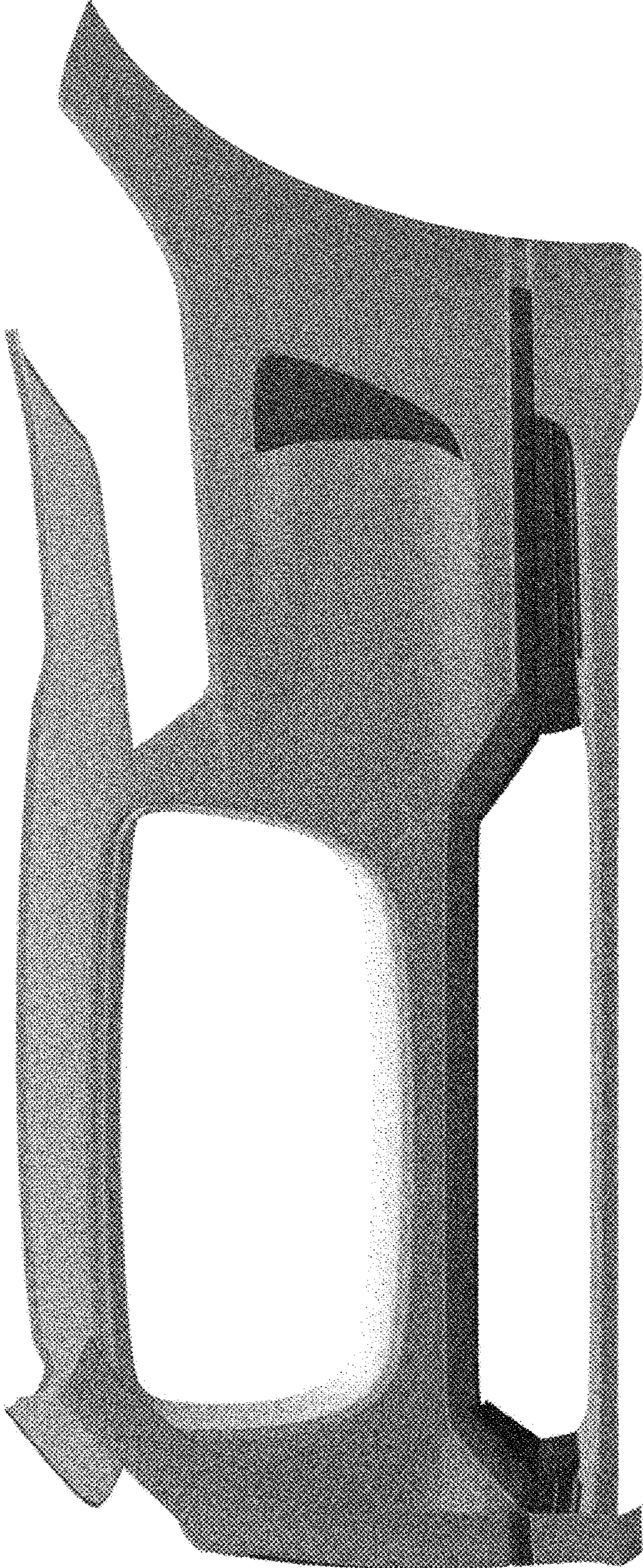


FIG. 4

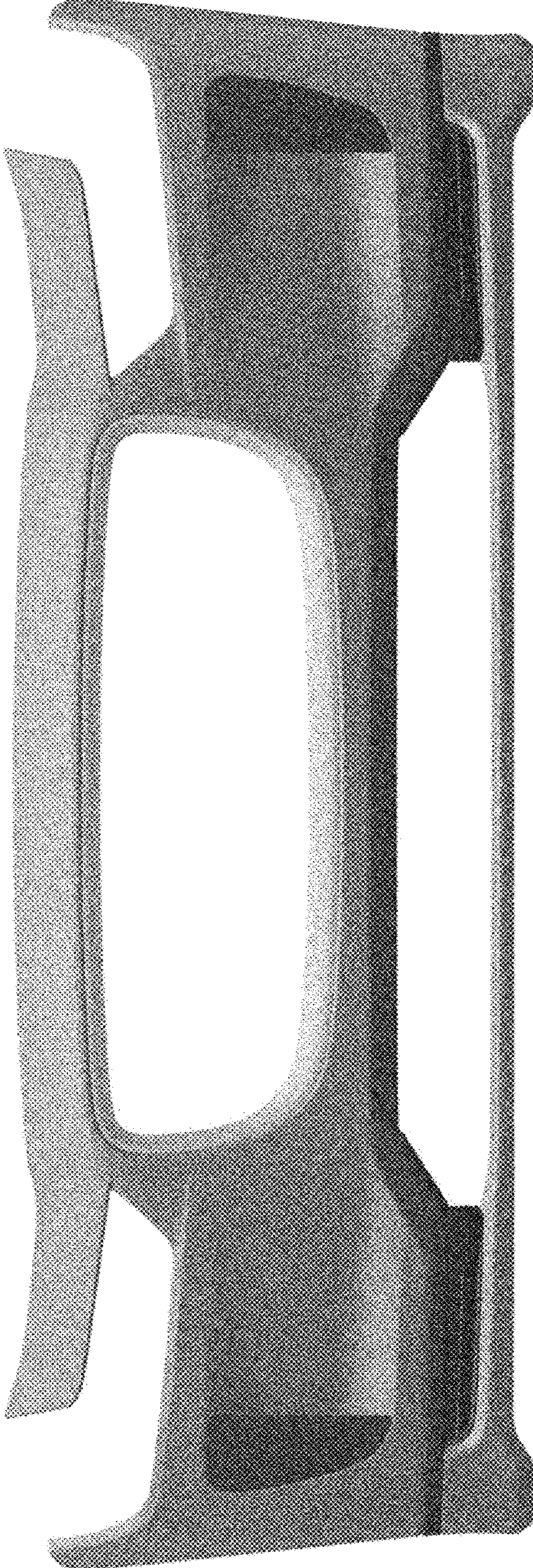


FIG. 5

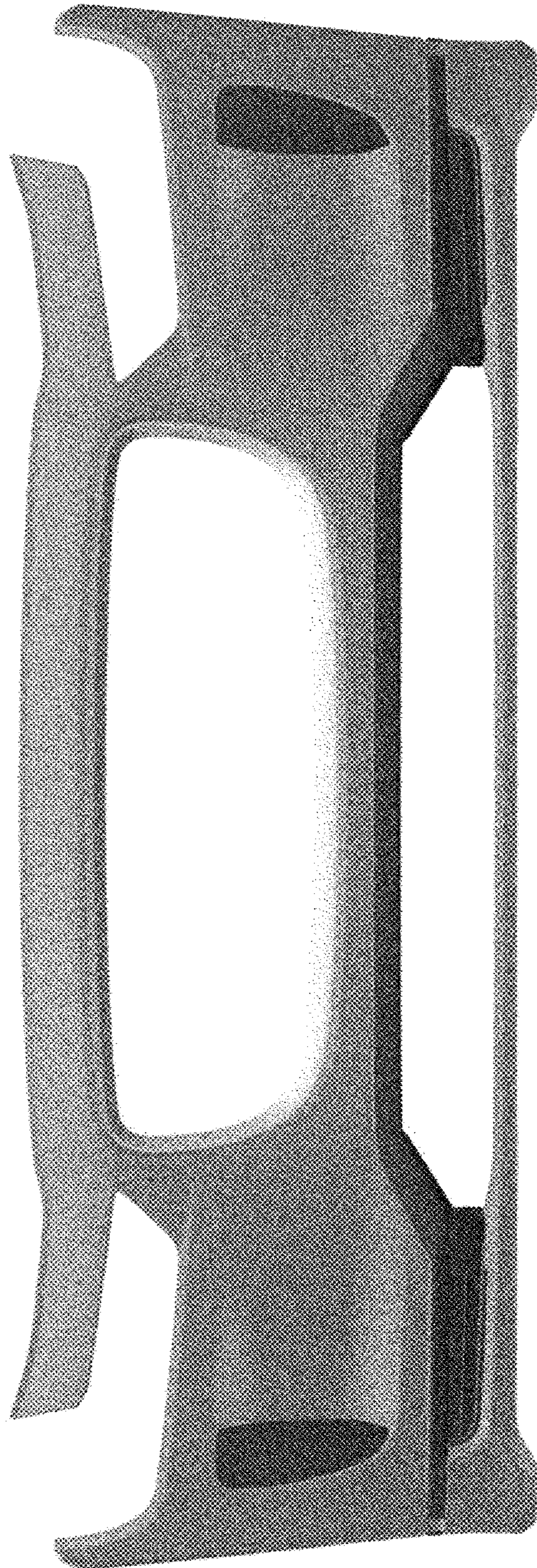


FIG. 6

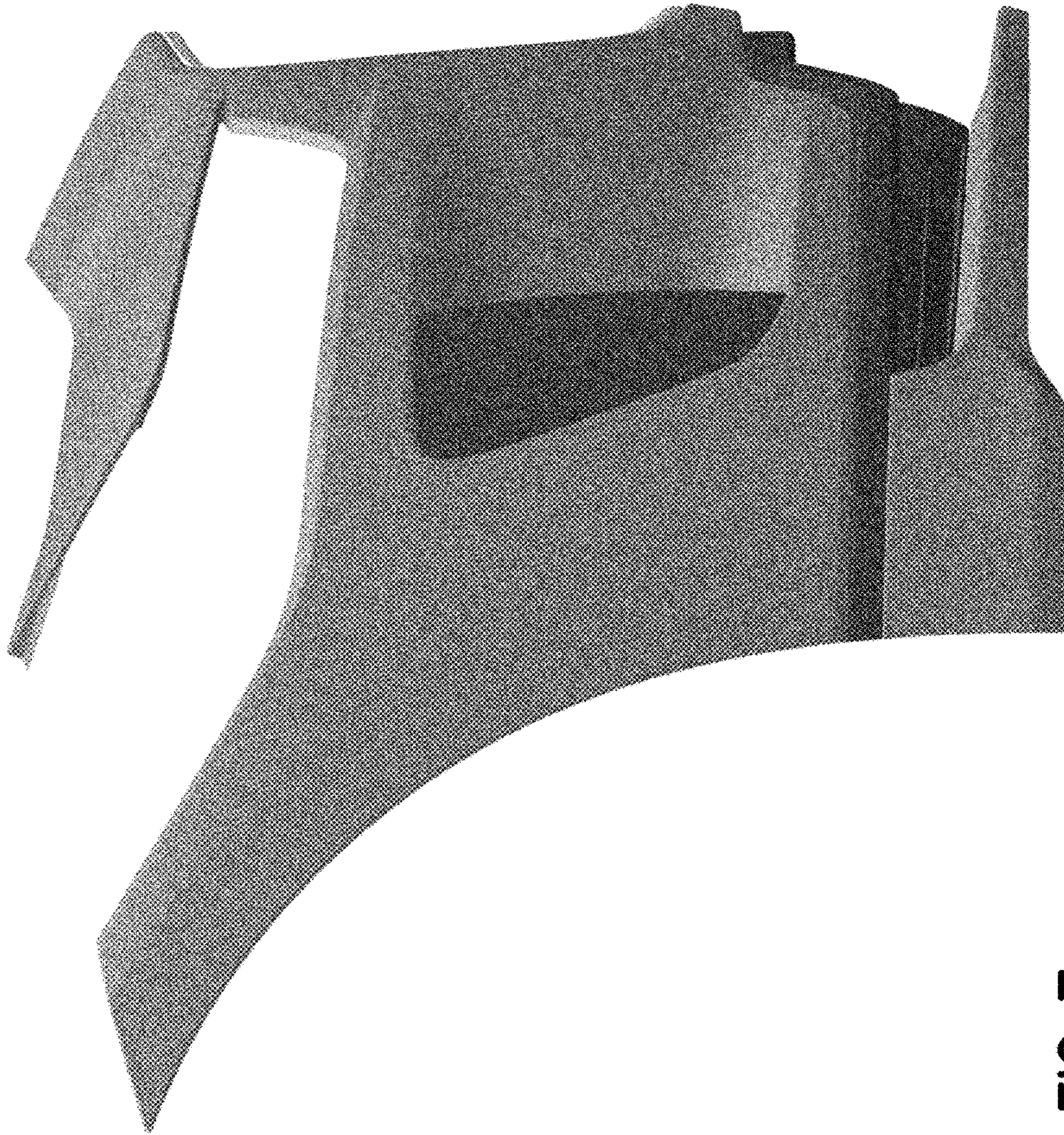


FIG. 7

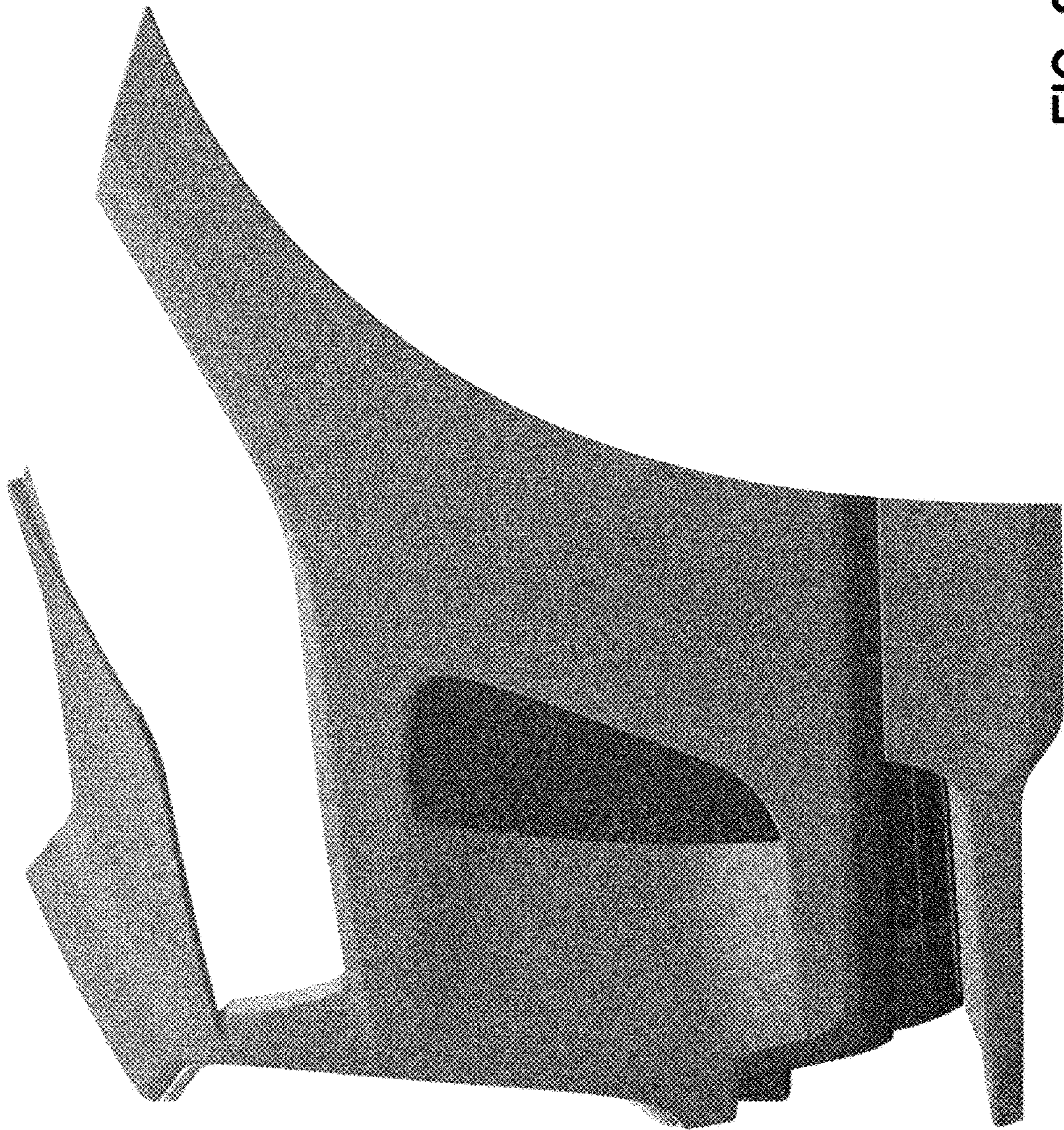


FIG. 8

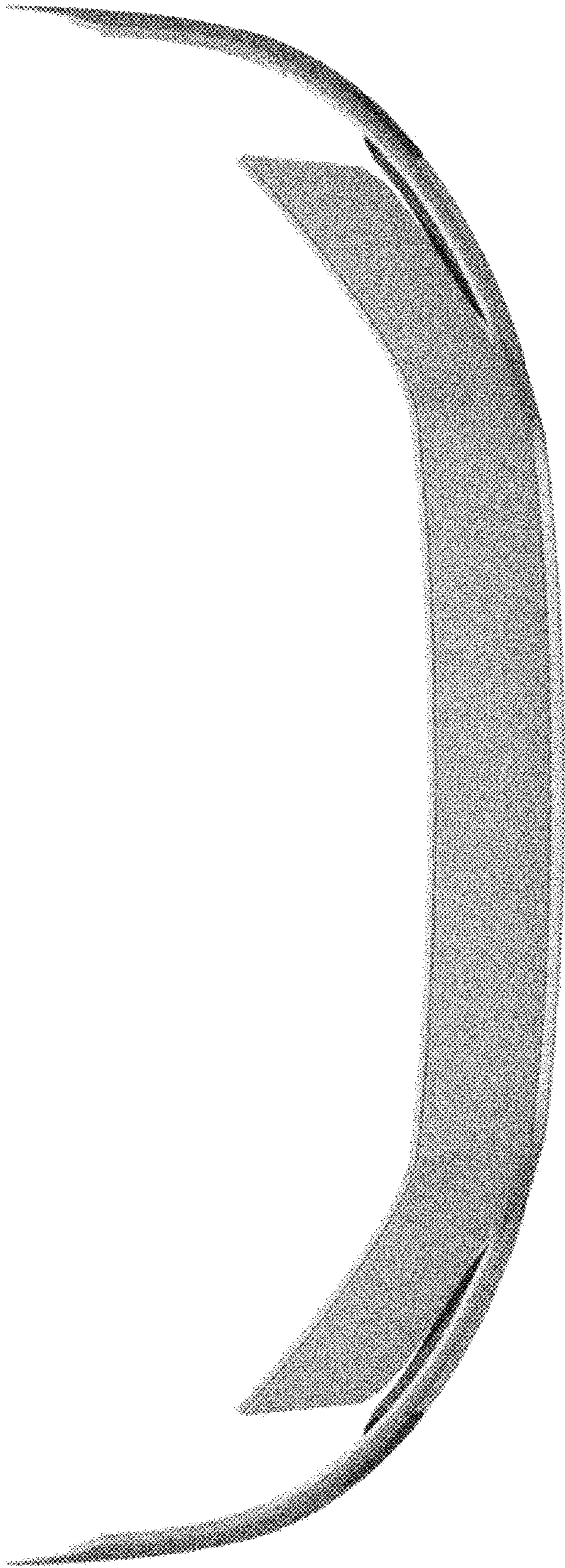


FIG. 9

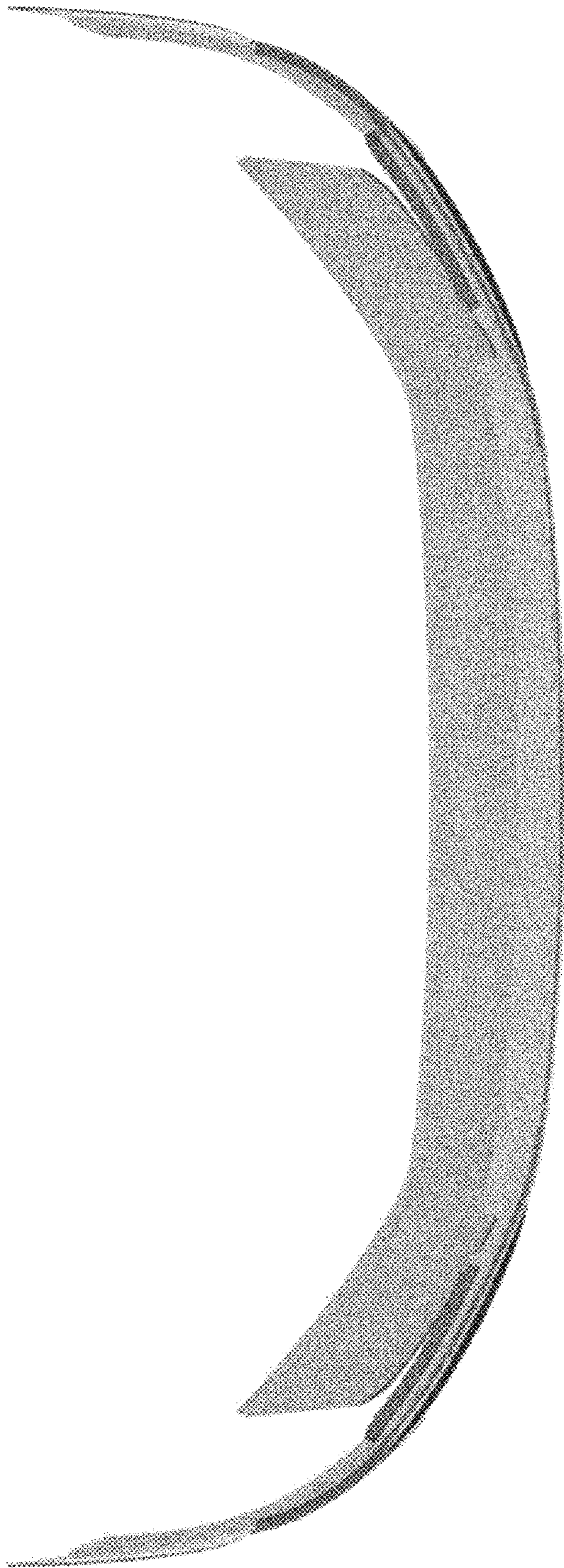


FIG. 10

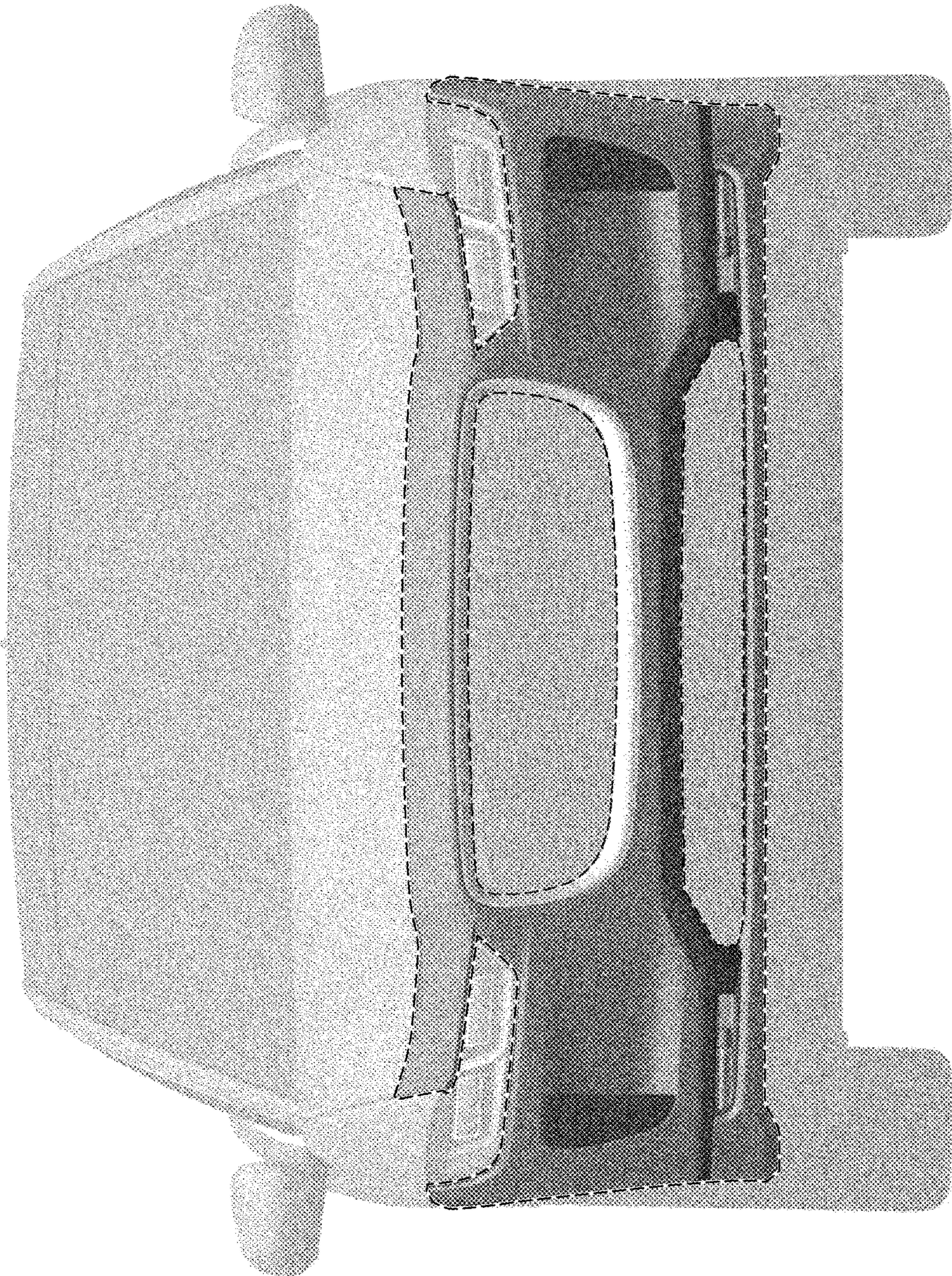


FIG. 11