



US00D840296S

(12) **United States Design Patent** (10) **Patent No.:** **US D840,296 S**
Buckingham (45) **Date of Patent:** **** Feb. 12, 2019**

(54) **FRONT BUMPER FOR A VEHICLE**

D823,746 S * 7/2018 Lim D12/169
D823,747 S * 7/2018 Tsarukyan D12/169
D825,416 S * 8/2018 Al Attar D12/169

(71) Applicant: **Bayerische Motoren Werke Aktiengesellschaft, Munich (DE)**

FOREIGN PATENT DOCUMENTS

(72) Inventor: **John-Daniel Buckingham, Woodland Hills, CA (US)**

WO WO DM/078976 2/2013

* cited by examiner

(73) Assignee: **Bayerische Motoren Werke Aktiengesellschaft, Munich (DE)**

Primary Examiner — Melody N Brown

(74) *Attorney, Agent, or Firm* — Crowell & Moring LLP

(**) Term: **15 Years**

(57) **CLAIM**

(21) Appl. No.: **29/624,721**

The ornamental design for a front bumper for a vehicle, as shown and described.

(22) Filed: **Nov. 3, 2017**

DESCRIPTION

(30) **Foreign Application Priority Data**

May 10, 2017 (DE) 40 2017 100 574

(51) **LOC (11) Cl.** **12-16**

(52) **U.S. Cl.**
USPC **D12/169**

(58) **Field of Classification Search**
CPC B60R 19/02; B60R 19/04; B62D 25/08
See application file for complete search history.

This application contains subject matter related to the following co-pending U.S. design patent applications:

Application Ser. No. 29/624,716, filed herewith and entitled "Vehicle, Toy, and/or Replicas Thereof";

Application Ser. No. 29/624,718, filed herewith and entitled "Vehicle, Toy, and/or Replicas Thereof"; and

Application Ser. No. 29/624,723, filed herewith and entitled "Front Bumper for a Vehicle".

FIG. 1 is a front view of a front bumper for a vehicle according to the design;

FIG. 2 is a right, front perspective view thereof;

FIG. 3 is a left, bottom perspective view thereof;

FIG. 4 is a right side view thereof;

FIG. 5 is a left side view thereof;

FIG. 6 is a top view thereof;

FIG. 7 is a bottom view thereof; and,

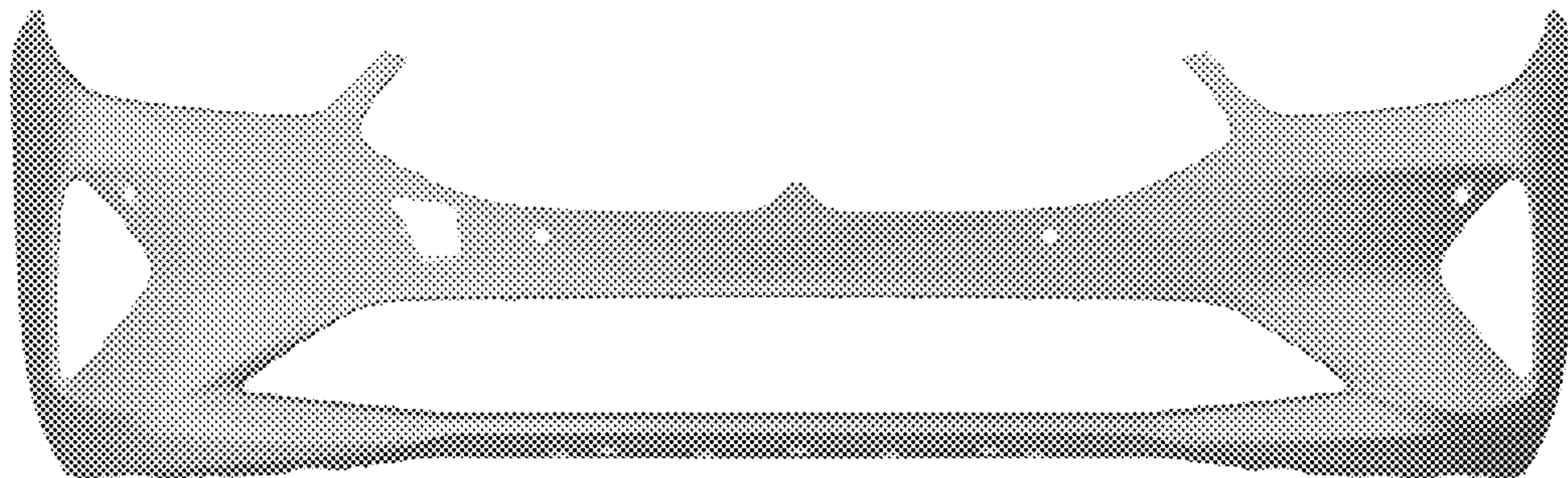
FIG. 8 is a rear view thereof.

(56) **References Cited**

U.S. PATENT DOCUMENTS

D678,146 S * 3/2013 Behmer D12/169
D695,162 S * 12/2013 Scheinhutte D12/169
D695,164 S * 12/2013 Futschik D12/169
D813,113 S * 3/2018 Zurian D12/169
D813,737 S * 3/2018 Beermann D12/169
D819,524 S * 6/2018 Behmer D12/169

1 Claim, 8 Drawing Sheets



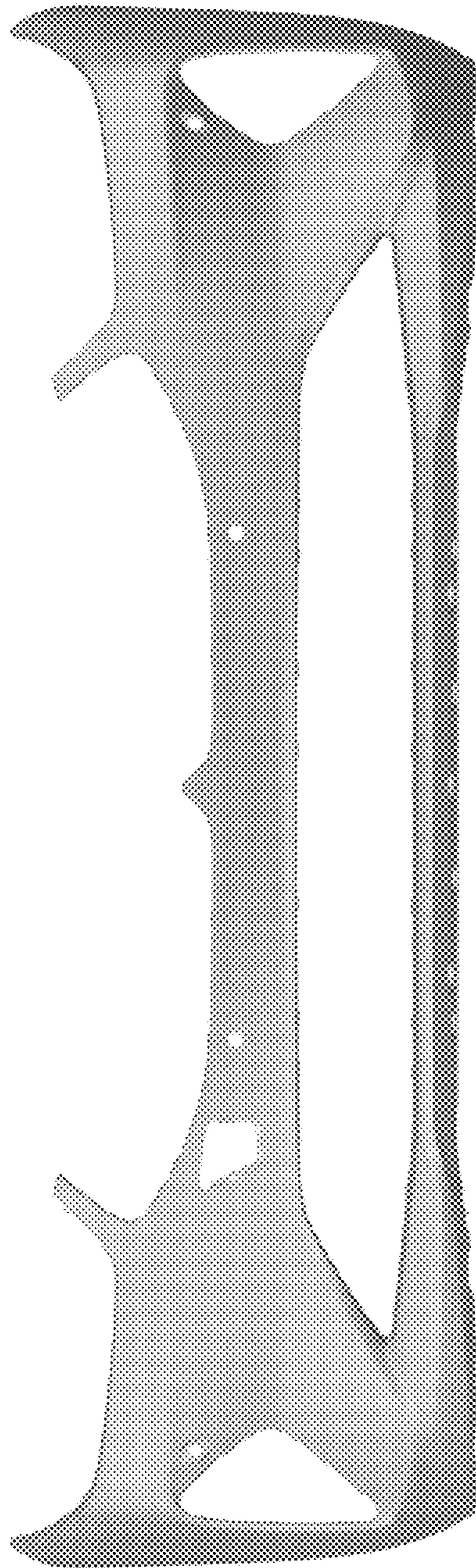


Fig. 1

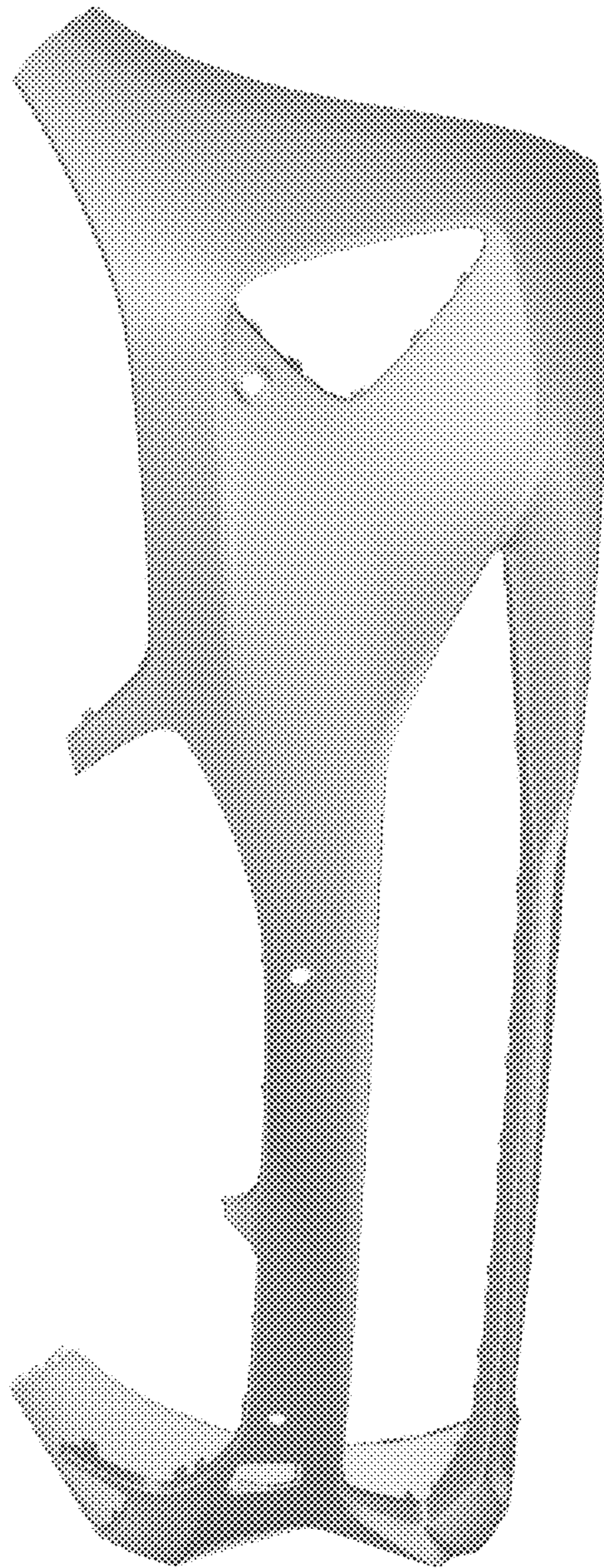


Fig. 2

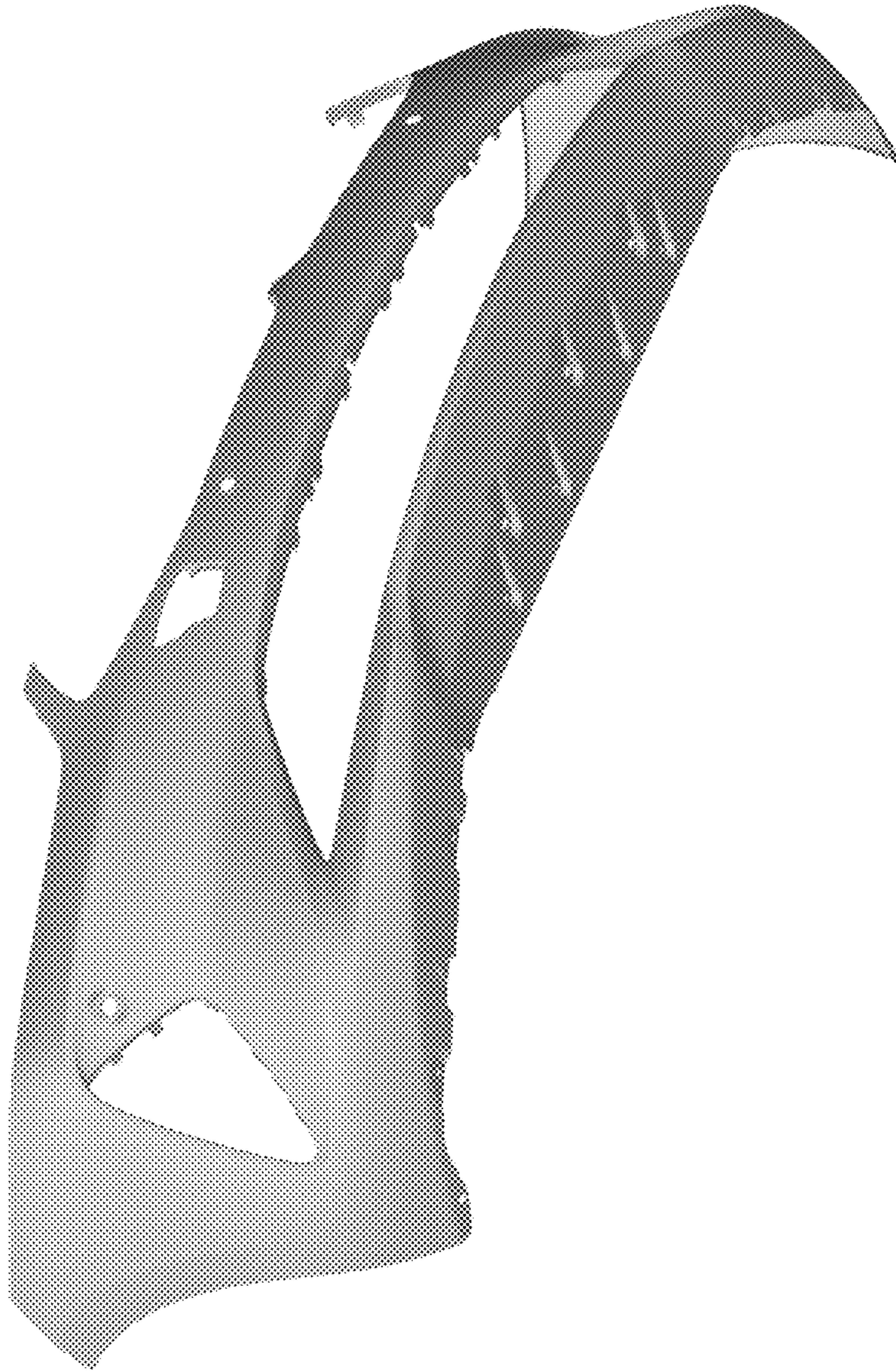


Fig. 3

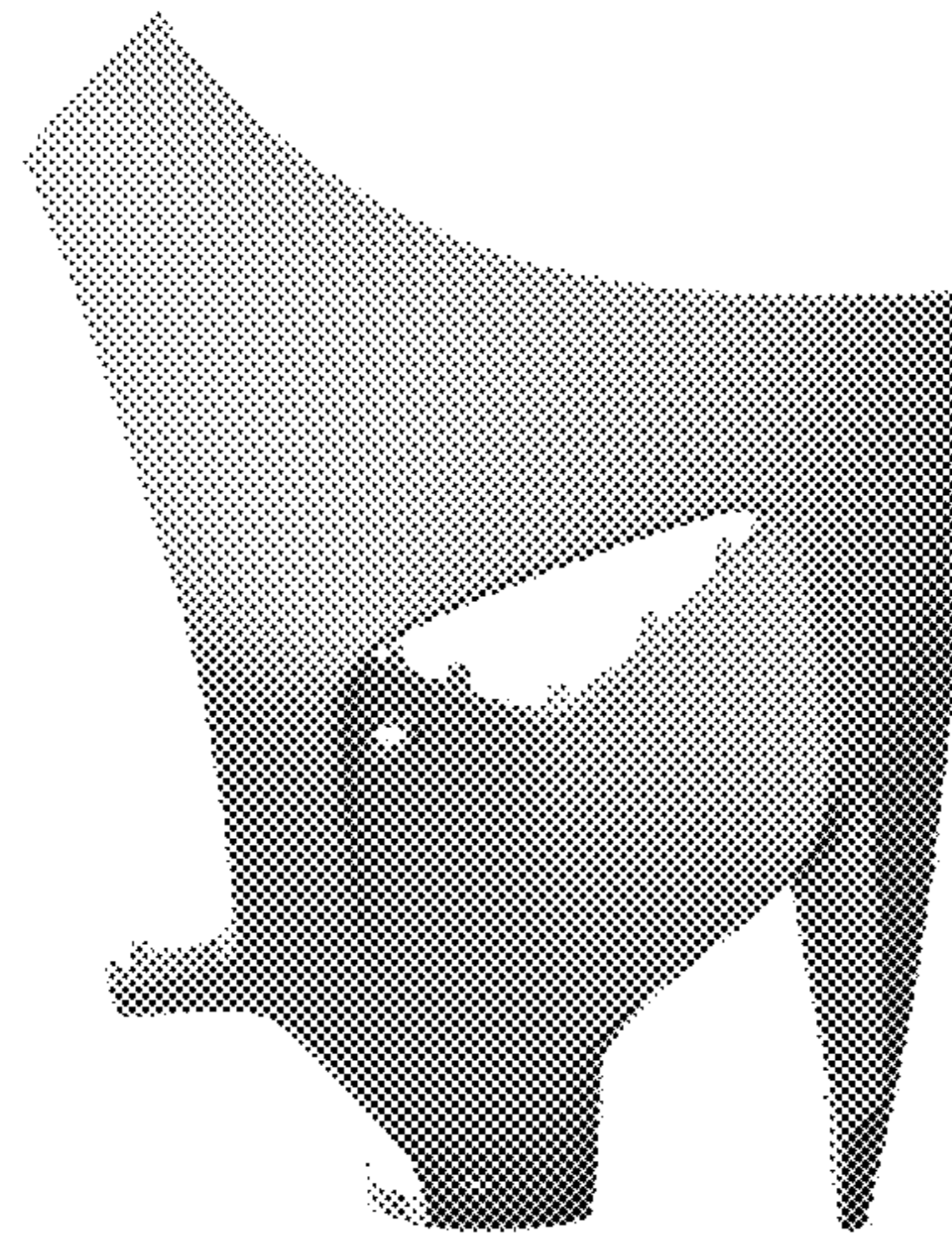


Fig. 4

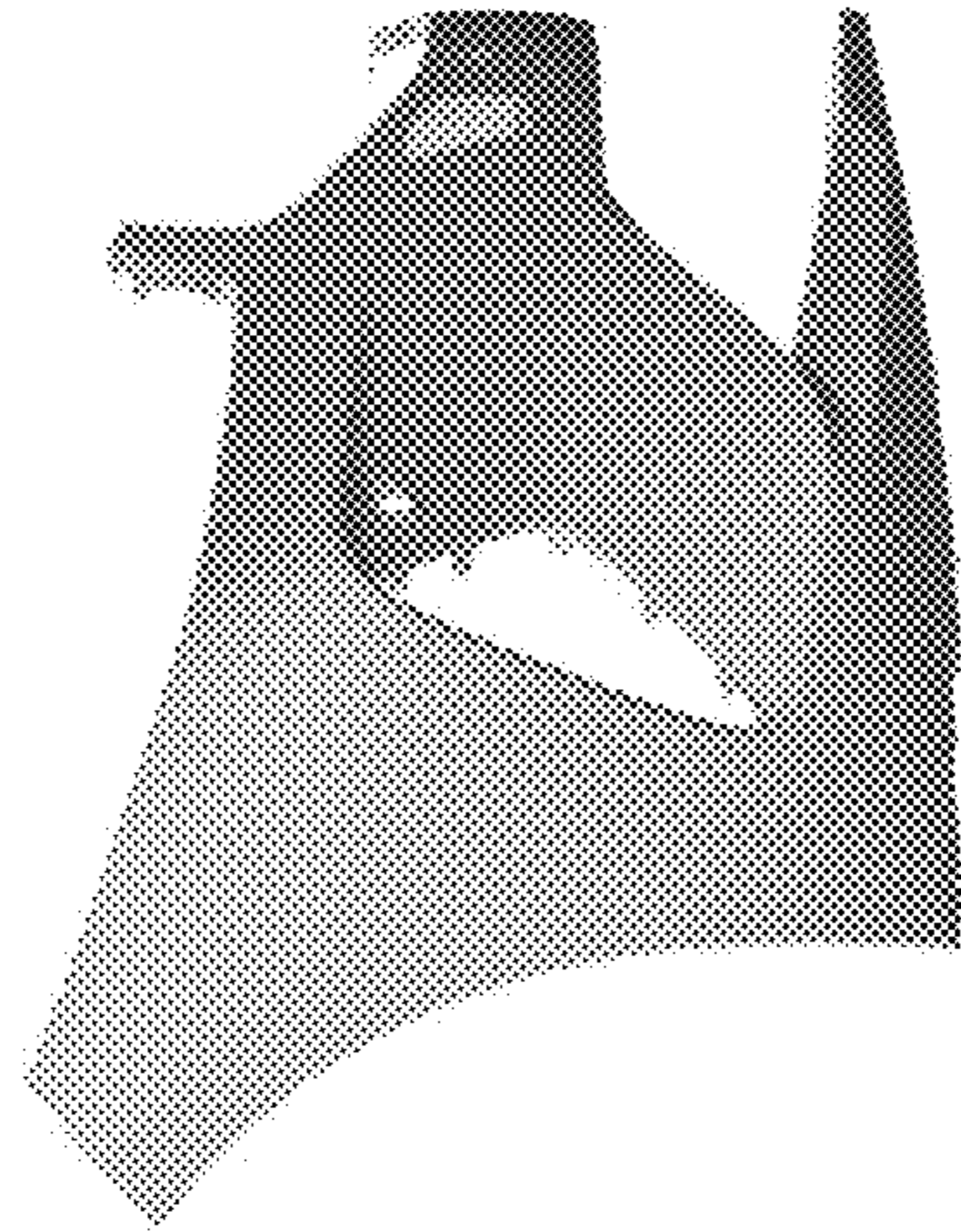


Fig. 5

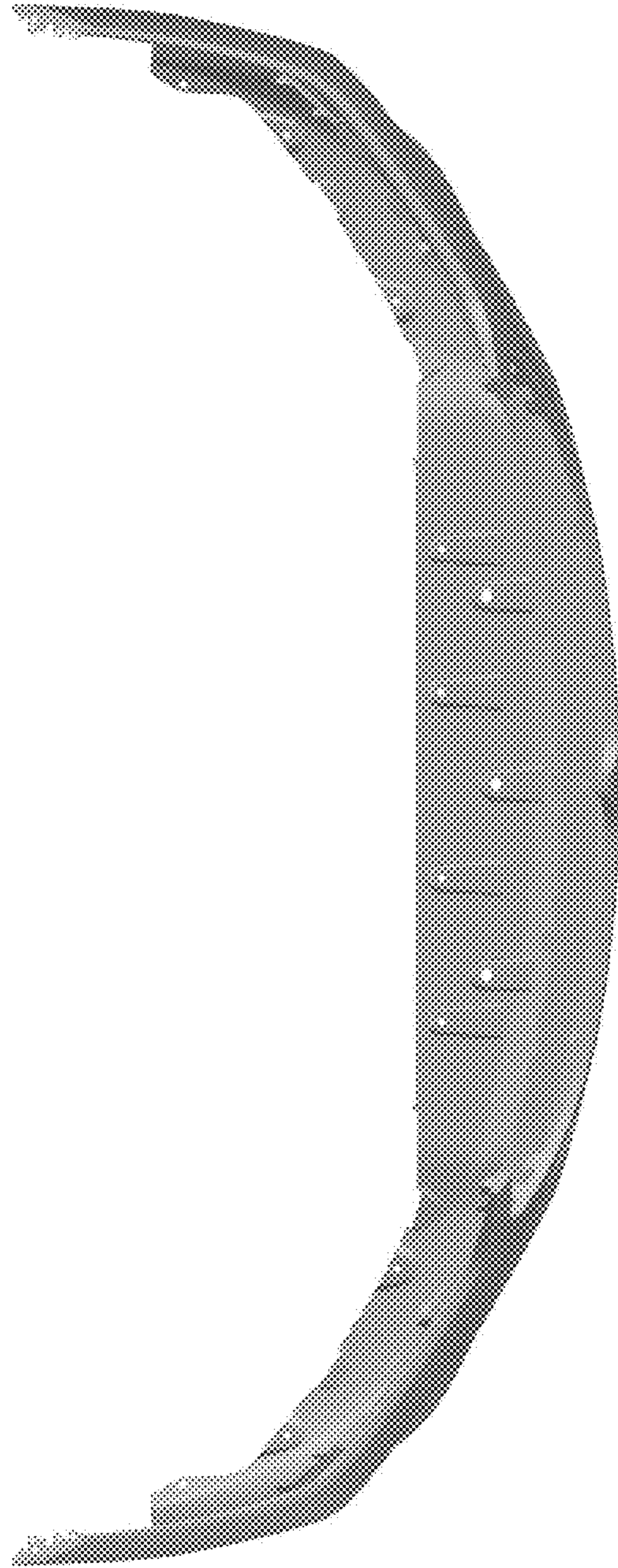


Fig. 6

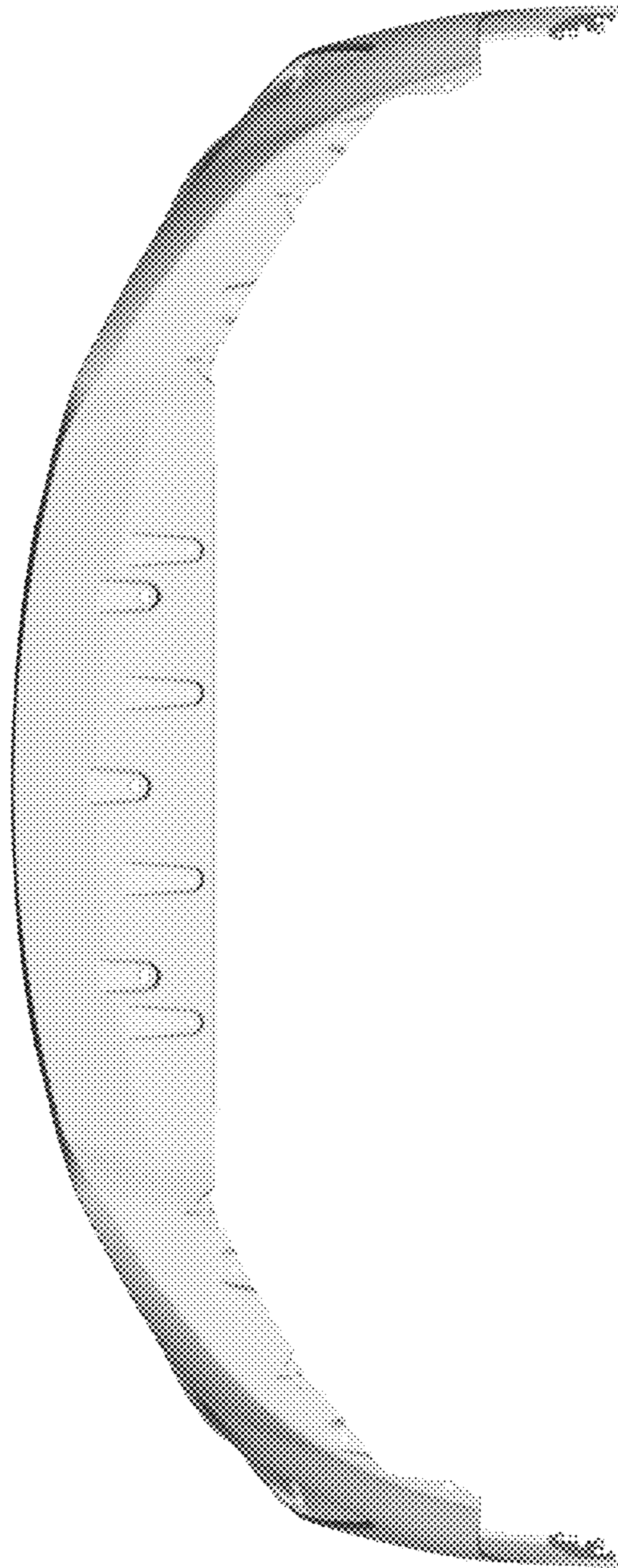


Fig. 7

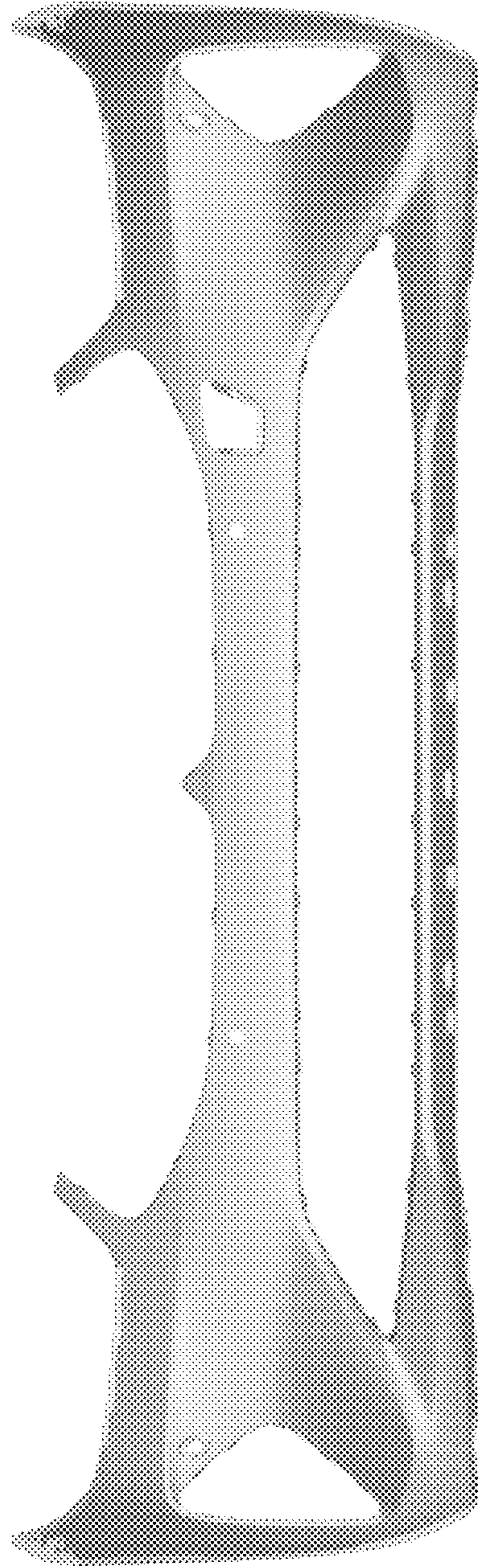


Fig. 8