



US00D840294S

(12) **United States Design Patent** (10) **Patent No.:** **US D840,294 S**  
**Battams** (45) **Date of Patent:** **\*\* Feb. 12, 2019**

(54) **FRONT BUMPER FOR A VEHICLE**  
(71) Applicant: **Jaguar Land Rover Limited**, Whitley, Coventry (GB)  
(72) Inventor: **Robert Battams**, Coventry (GB)  
(73) Assignee: **Jaguar Land Rover Limited**, Whitley, Coventry (GB)  
(\*\*) Term: **15 Years**

(21) Appl. No.: **29/622,277**

(22) Filed: **Oct. 16, 2017**

(30) **Foreign Application Priority Data**

Apr. 21, 2017 (EM) ..... 003866912

(51) **LOC (11) Cl.** ..... **12-16**

(52) **U.S. Cl.**  
USPC ..... **D12/169**

(58) **Field of Classification Search**  
CPC ..... B60R 19/02; B60R 19/04; B62D 25/08  
See application file for complete search history.

(56) **References Cited**

**U.S. PATENT DOCUMENTS**

D695,166 S \* 12/2013 Tada ..... D12/169  
D711,295 S \* 8/2014 Mackay ..... D12/169  
D711,296 S \* 8/2014 O'Donnell et al. .... D12/169  
D747,242 S \* 1/2016 Frascella ..... D12/169  
D769,161 S \* 10/2016 Ishii ..... D12/169

D817,817 S \* 5/2018 Frascella ..... D12/169

\* cited by examiner

*Primary Examiner* — Melody N Brown

(74) *Attorney, Agent, or Firm* — Wood Herron & Evans LLP

(57) **CLAIM**

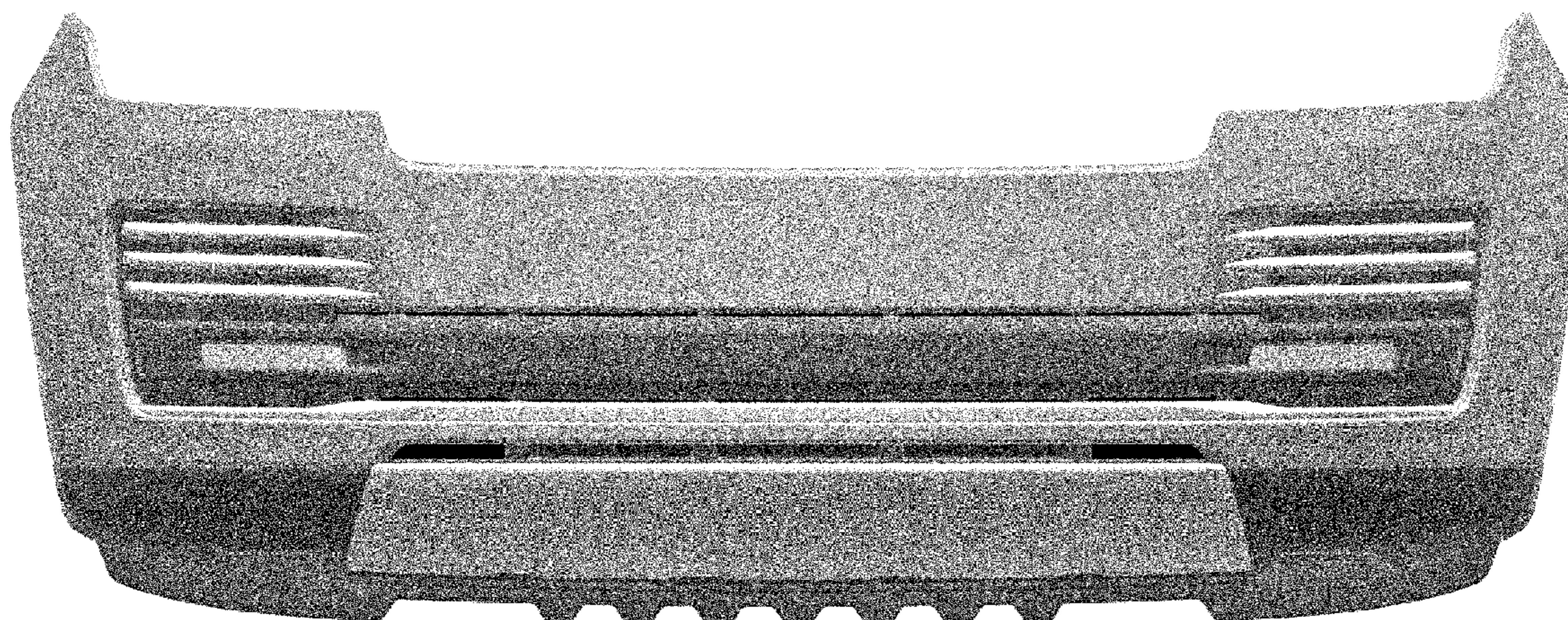
The ornamental design for a front bumper for a vehicle, as shown and described.

**DESCRIPTION**

FIG. 1 is a right, front perspective view of a front bumper for a vehicle showing my new design;  
FIG. 2 is a left, front perspective view thereof;  
FIG. 3 is a left, rear perspective view thereof;  
FIG. 4 is a right, rear perspective view thereof;  
FIG. 5 is a front elevational view thereof;  
FIG. 6 is a rear elevational view thereof;  
FIG. 7 is a left side elevational view thereof;  
FIG. 8 is a right side elevational view thereof;  
FIG. 9. Is a top plan view thereof;  
FIG. 10 is a bottom plan view thereof; and,  
FIG. 11 is another right front perspective view thereof shown on a vehicle.

The portions of the vehicle shown in the FIG. 11 drawing view in a de-emphasized and half-tone form outside the broken lines and the broken lines representing the boundary and configuration of what is claimed as the design are all for environmental and illustrative purposes only and form no part of the claimed design.

**1 Claim, 11 Drawing Sheets**





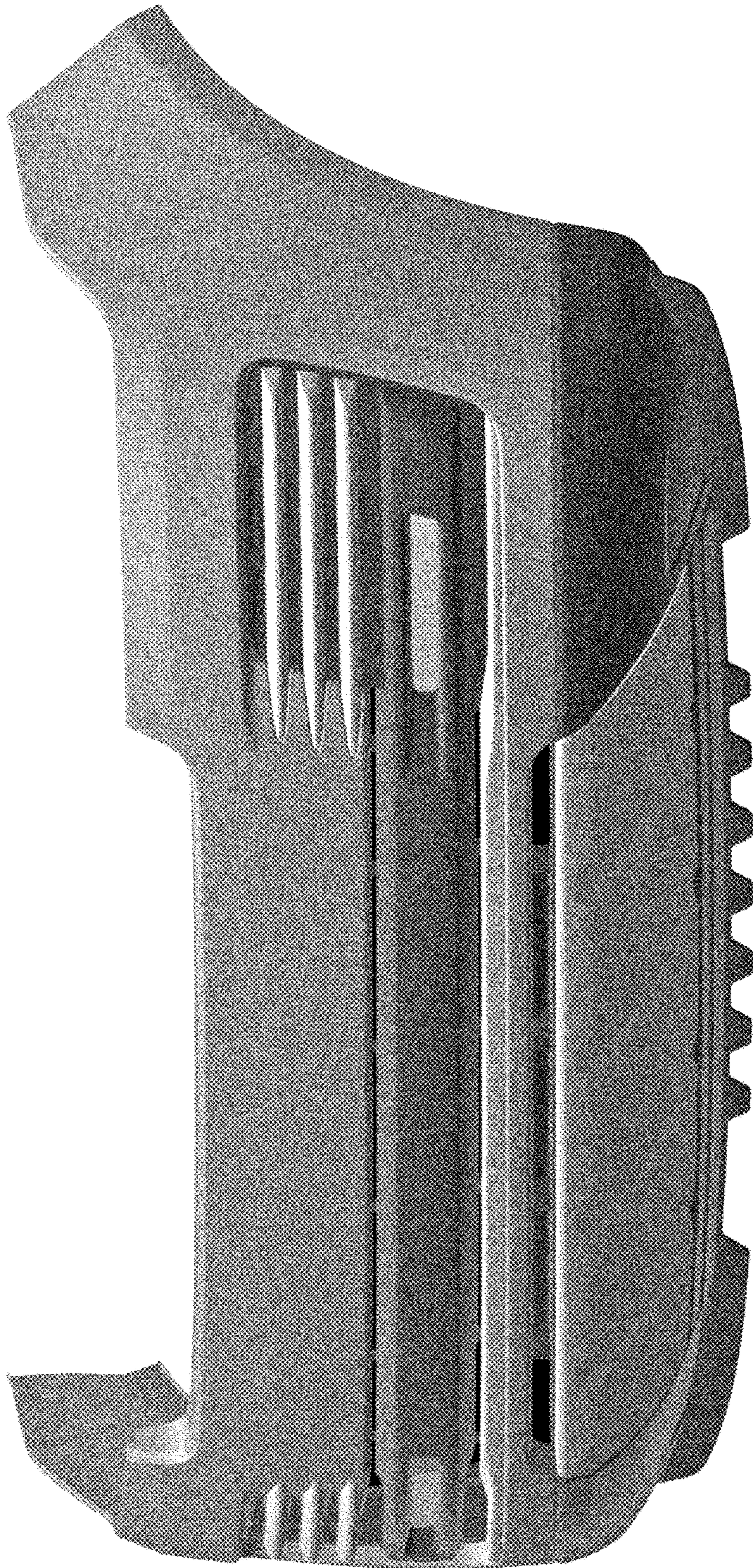


FIG. 1



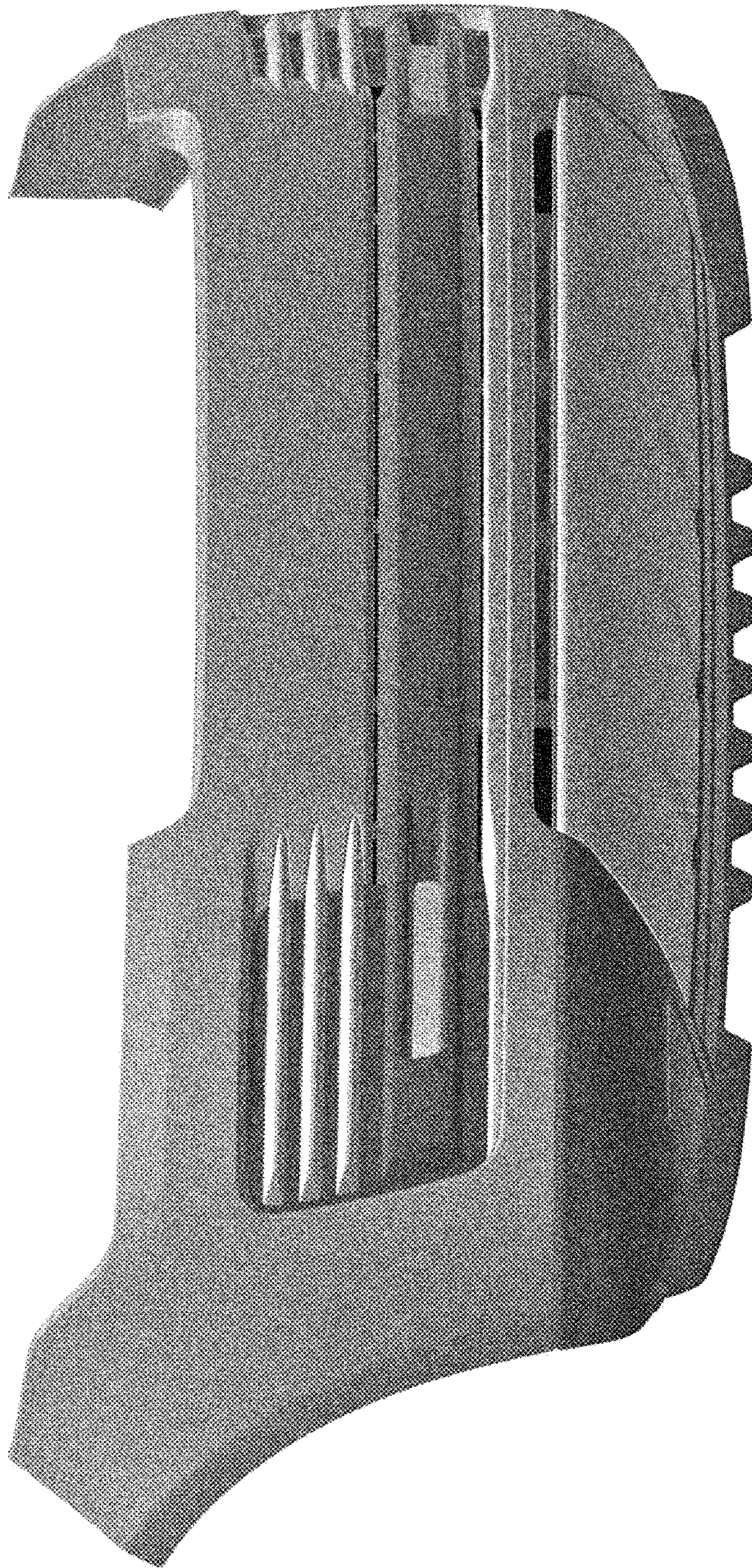


FIG. 2



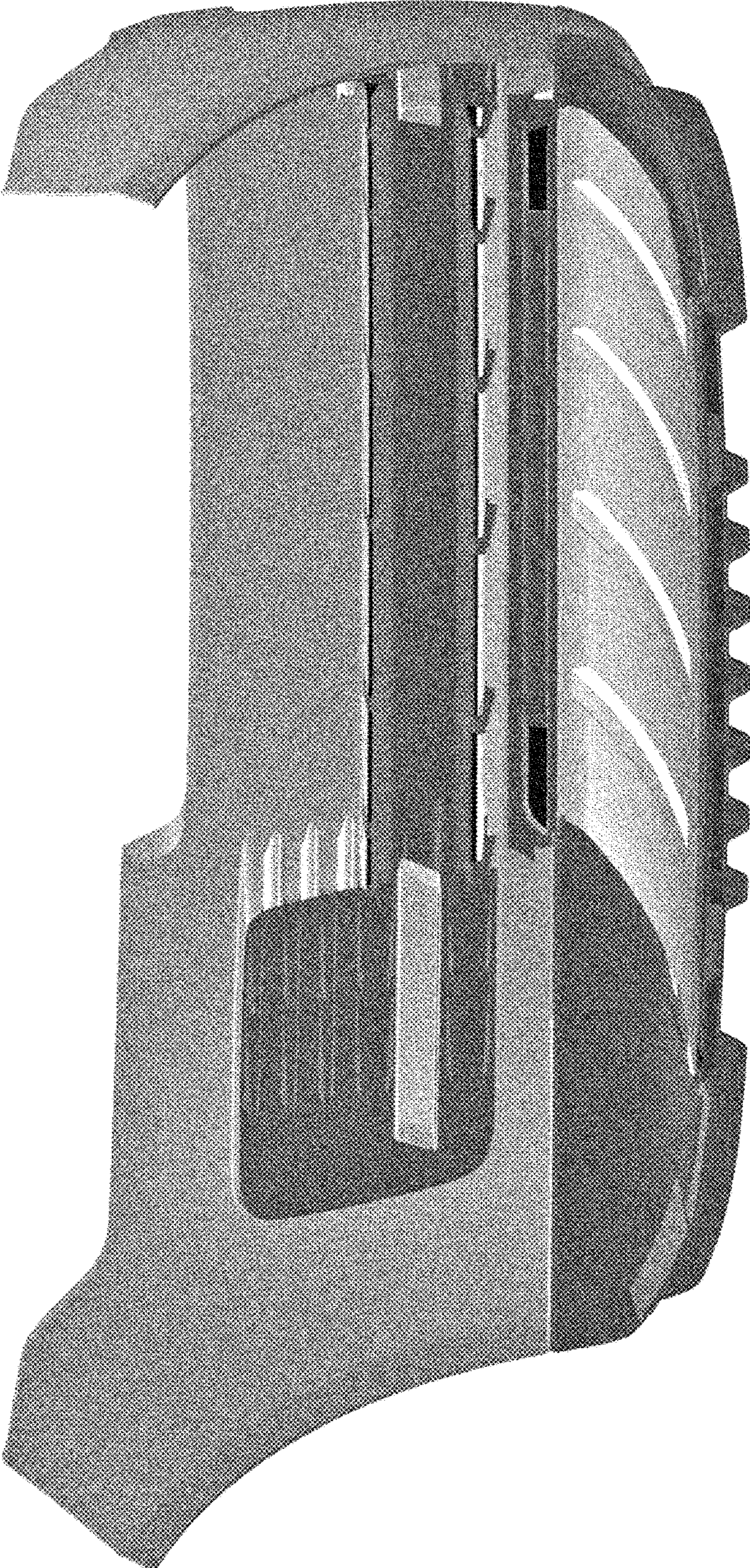


FIG. 3



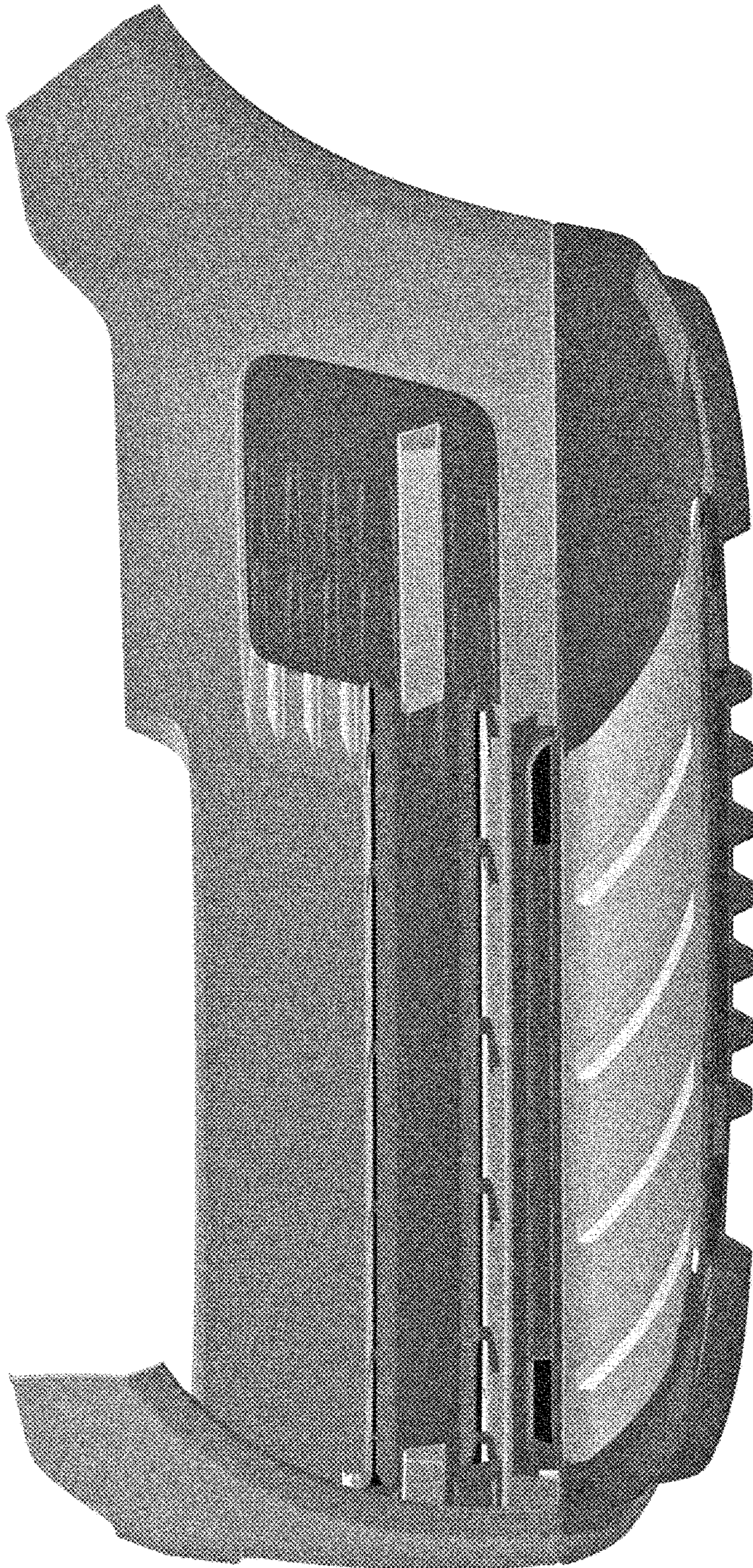


FIG. 4



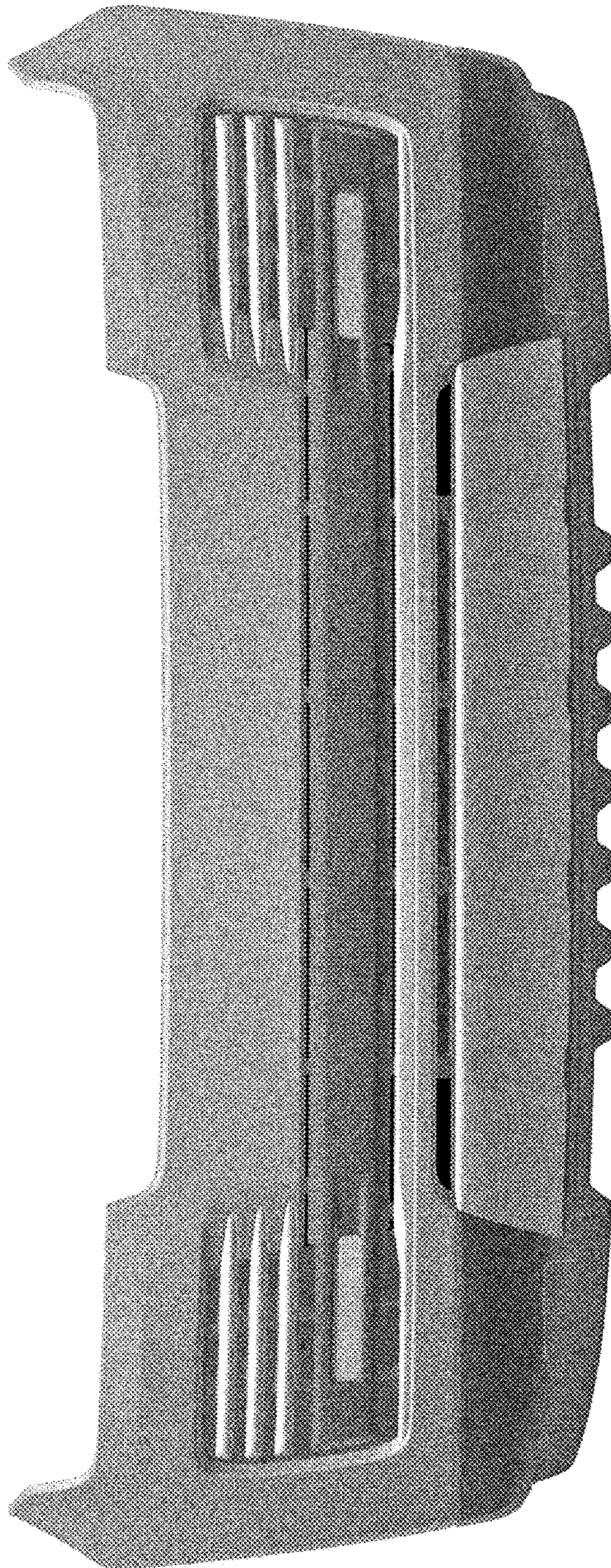


FIG. 5



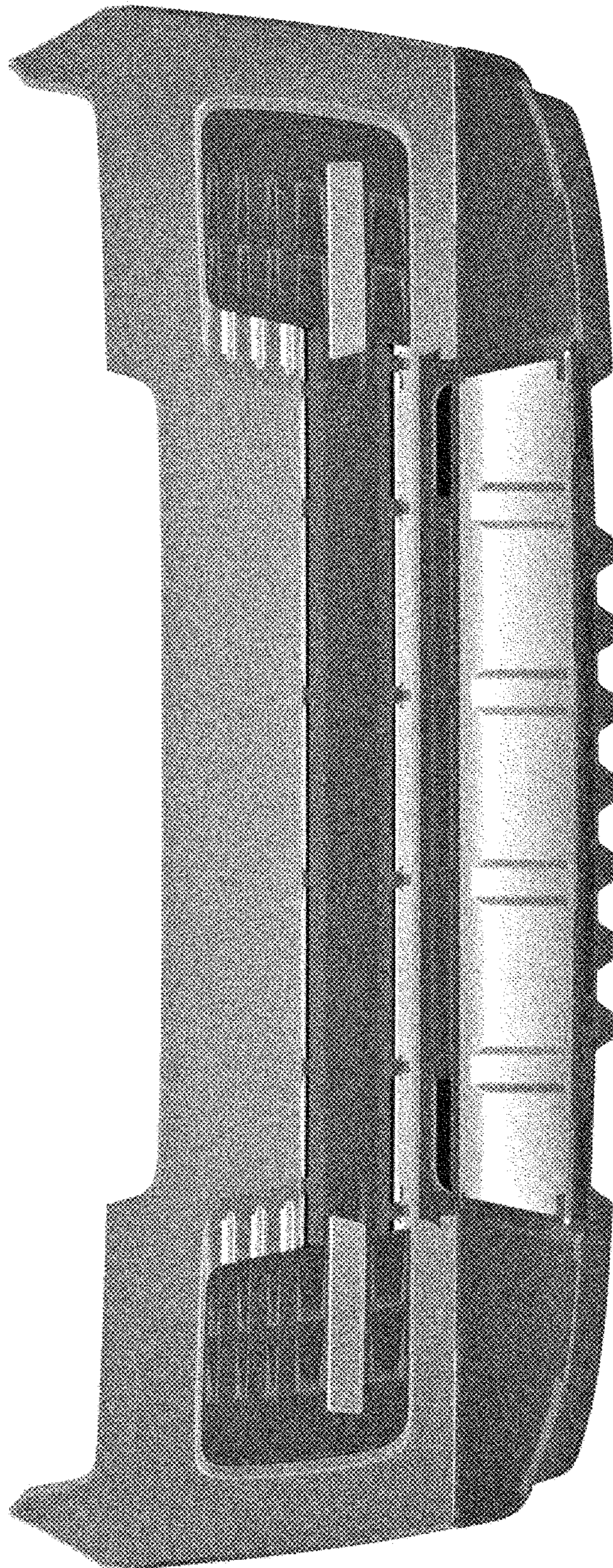


FIG. 6



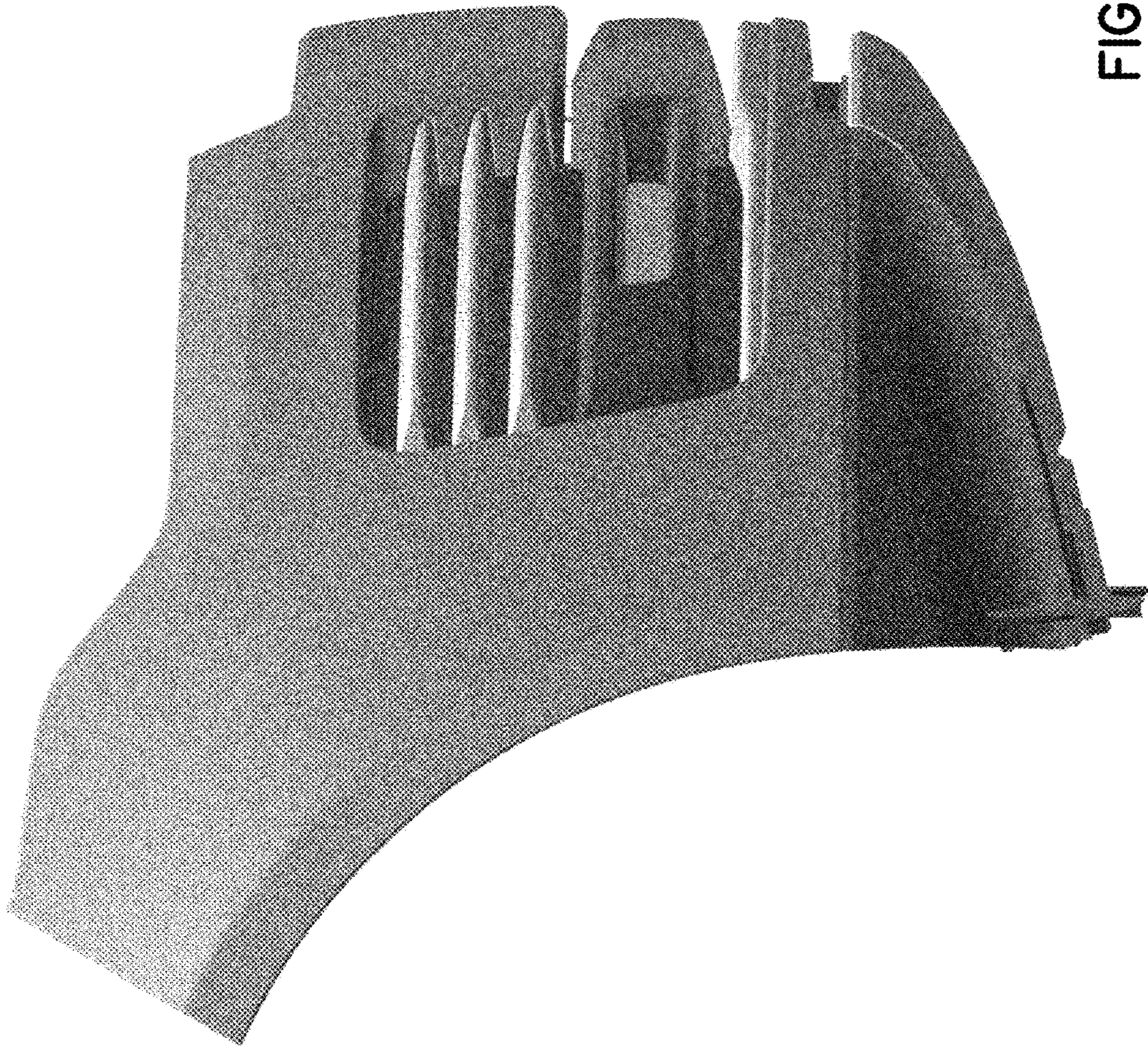


FIG. 7



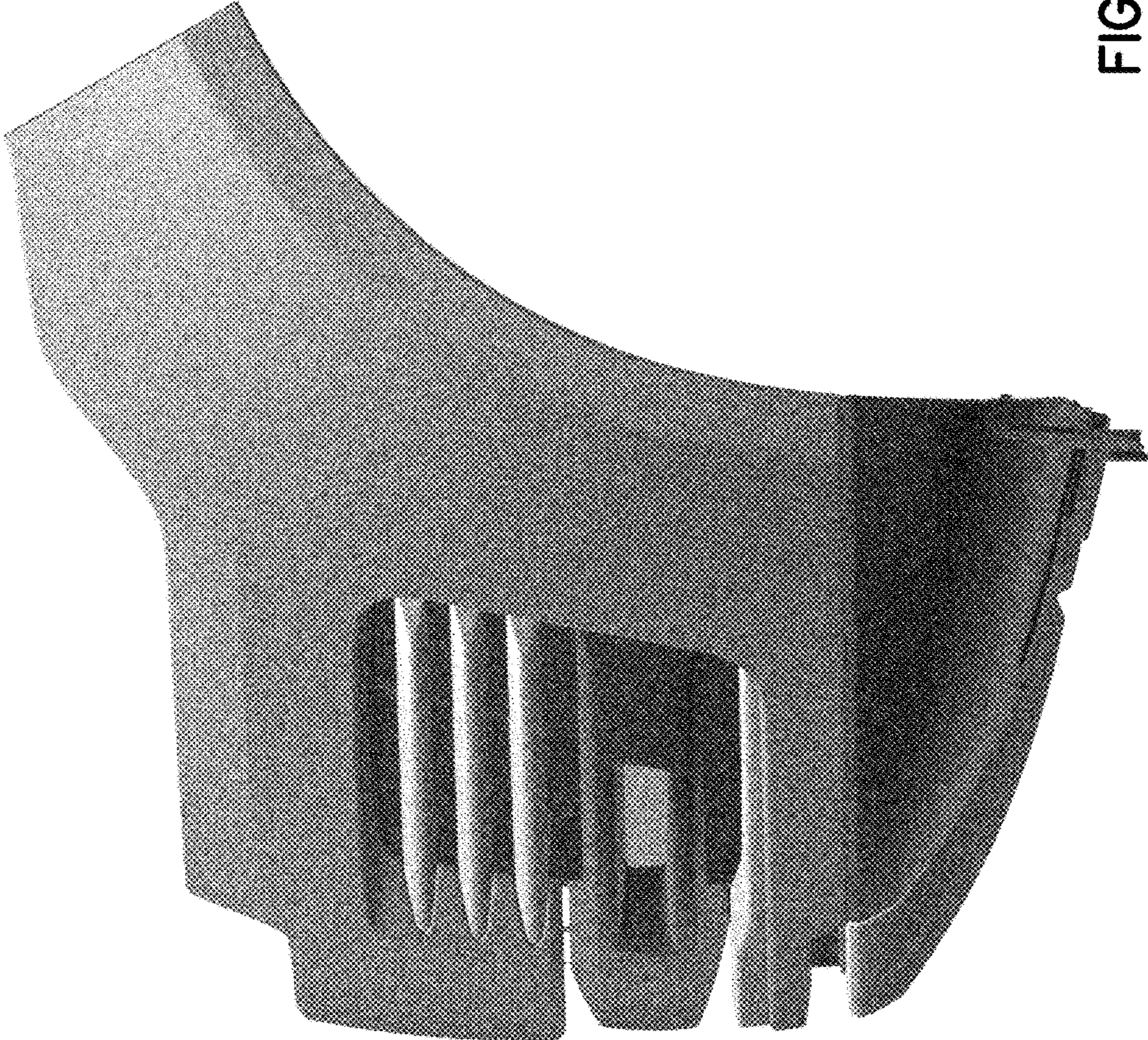


FIG. 8



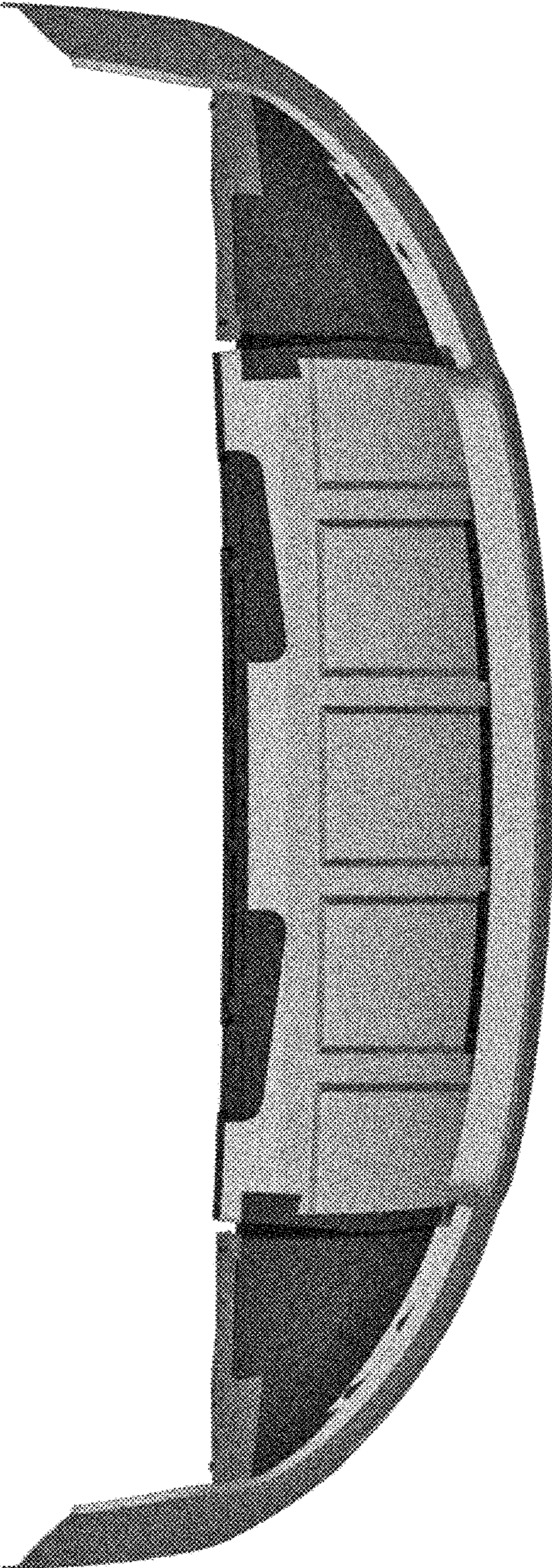


FIG. 9



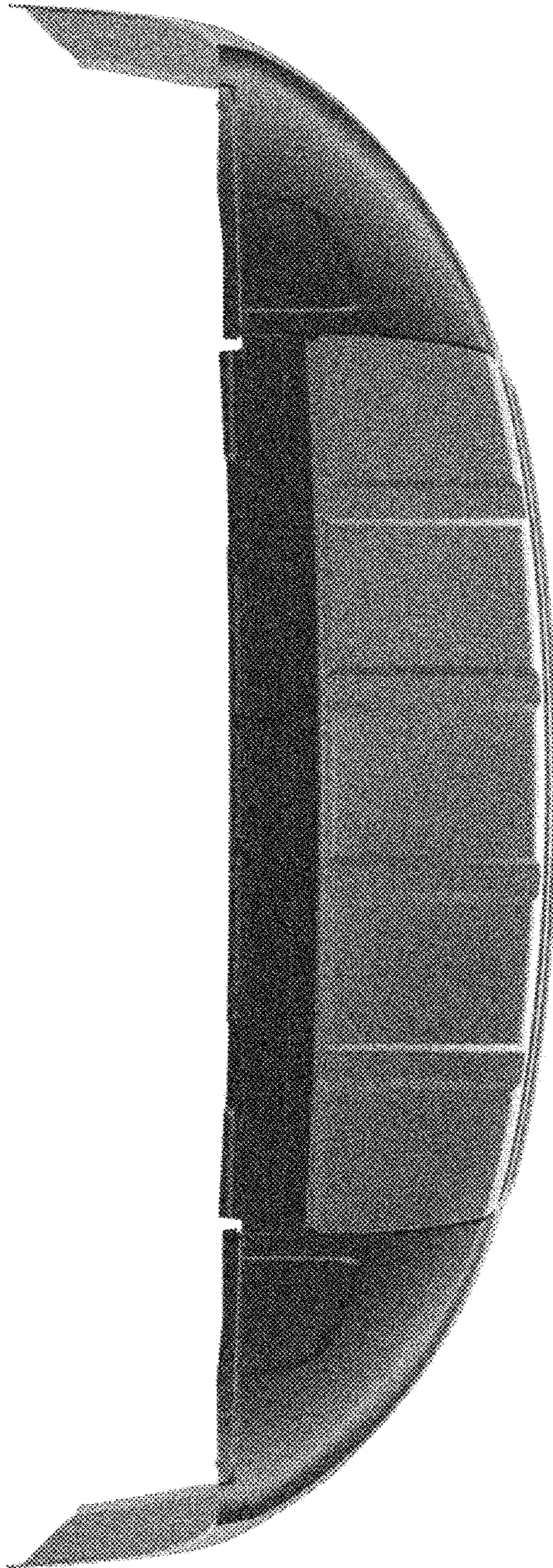


FIG. 10



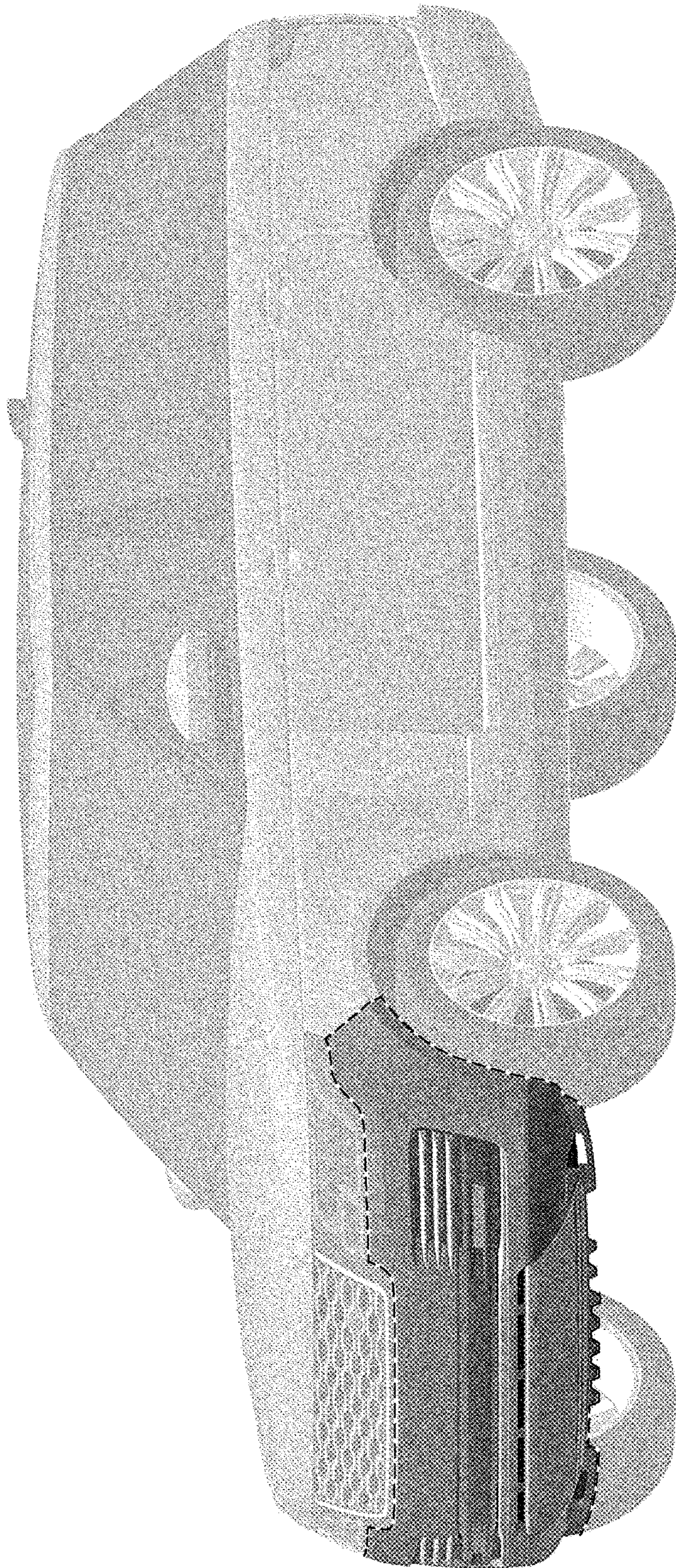


FIG. 11



UNITED STATES PATENT AND TRADEMARK OFFICE  
**CERTIFICATE OF CORRECTION**

PATENT NO. : D840,294 S  
APPLICATION NO. : 29/622277  
DATED : February 12, 2019  
INVENTOR(S) : Robert Battams

Page 1 of 1

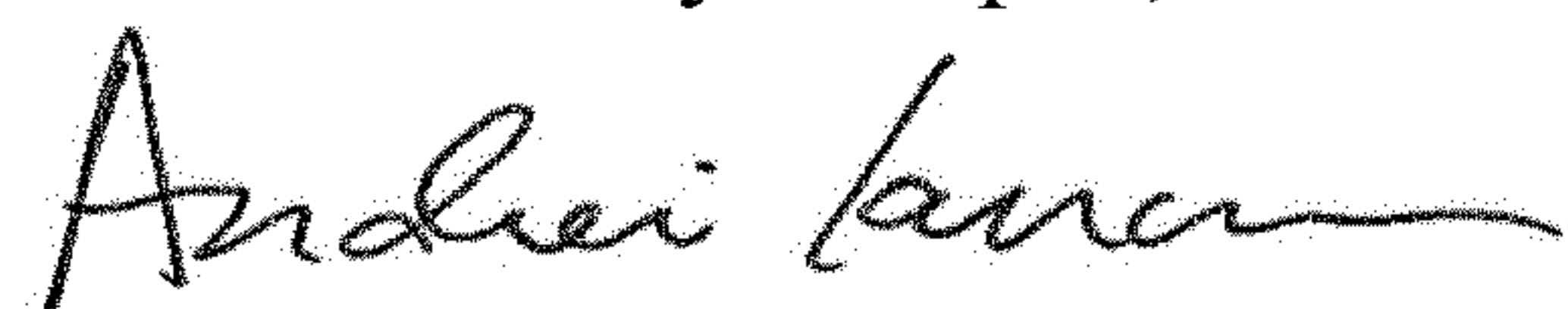
It is certified that error appears in the above-identified patent and that said Letters Patent is hereby corrected as shown below:

On the Title Page

Column 2, under the heading "Description", Line 10, in the description of Fig. 9, please delete the "." after the numeral "9".

Column 2, under the heading "Description", Line 10, "Is" should be ---is---

Signed and Sealed this  
Second Day of April, 2019



Andrei Iancu  
*Director of the United States Patent and Trademark Office*