



US00D840287S

(12) **United States Design Patent**
Frascella

(10) **Patent No.:** **US D840,287 S**

(45) **Date of Patent:** **** Feb. 12, 2019**

(54) **TOP PORTION OF A VEHICLE**

(71) Applicant: **Jaguar Land Rover Limited**, Whitley,
Coventry (GB)

(72) Inventor: **Massimo Frascella**, Whitley (GB)

(73) Assignee: **Jaguar Land Rover Limited**, Whitley,
Coventry (GB)

(**) Term: **15 Years**

(21) Appl. No.: **29/602,965**

(22) Filed: **May 5, 2017**

(30) **Foreign Application Priority Data**

Nov. 11, 2016 (EM) 003459551-0003

(51) **LOC (11) Cl.** **12-16**

(52) **U.S. Cl.**
USPC **D12/164**

(58) **Field of Classification Search**
USPC D12/169, 216, 90-92, 86, 171, 196, 163,
D12/164; 293/102, 113, 115, 117, 120;
296/180.1, 180.2
CPC B60R 19/02; B60R 19/04; B62D 25/08
See application file for complete search history.

(56) **References Cited**

U.S. PATENT DOCUMENTS

D779,394 S * 2/2017 Suga et al. D12/92
D805,959 S * 12/2017 Wheel et al. D12/169

D805,960 S * 12/2017 Wheel et al. D12/169
D807,245 S * 1/2018 Patel et al. D12/92
D817,817 S * 5/2018 Frascella D12/169
D818,399 S * 5/2018 Frascella D12/92

* cited by examiner

Primary Examiner — Melody N Brown

(74) *Attorney, Agent, or Firm* — Wood Herron & Evans
LLP

(57) **CLAIM**

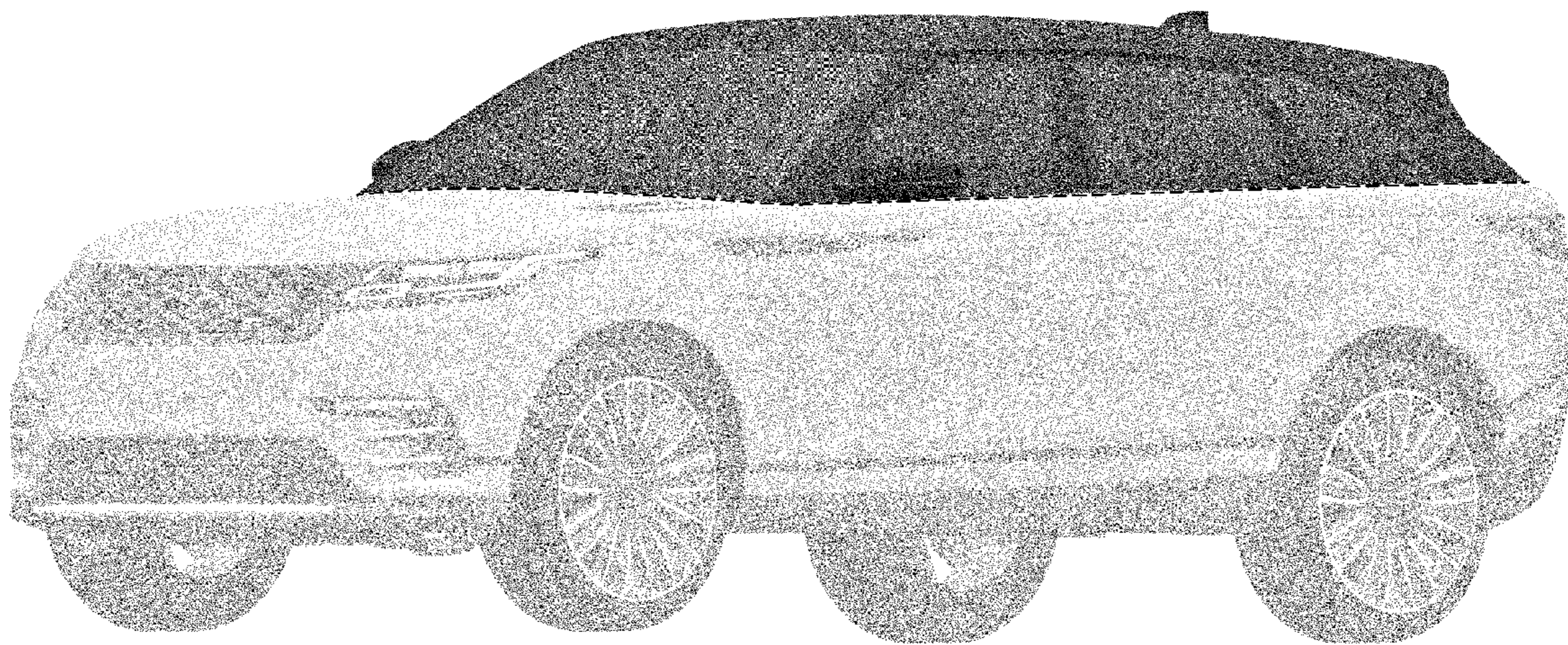
The ornamental design for a top portion of a vehicle, as shown and described.

DESCRIPTION

FIG. 1 is a right, front perspective view of a top portion of a vehicle showing my new design;
FIG. 2 is a left, front perspective view thereof;
FIG. 3 is a left, rear perspective view thereof;
FIG. 4 is a right, rear perspective view thereof;
FIG. 5 is a front view thereof;
FIG. 6 is a rear view thereof;
FIG. 7 is a left side view thereof;
FIG. 8 is a right side view thereof; and,
FIG. 9 is a top view thereof.

The portions of the vehicle shown throughout the drawing views in de-emphasized and half-tone portions outside the broken lines and the broken lines representing the boundary and configuration of what is claimed as the design are for environmental and illustrative purposes only and form no part of the claimed design.

1 Claim, 9 Drawing Sheets



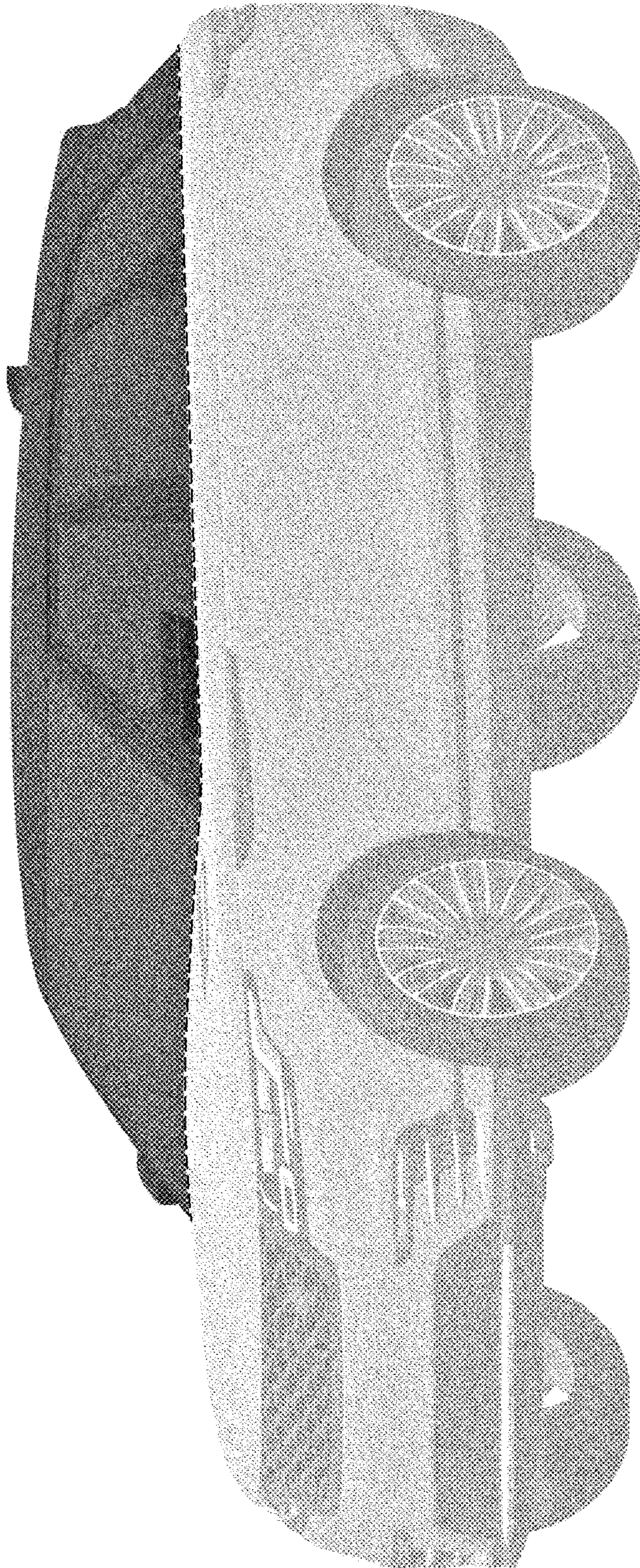


FIG. 1

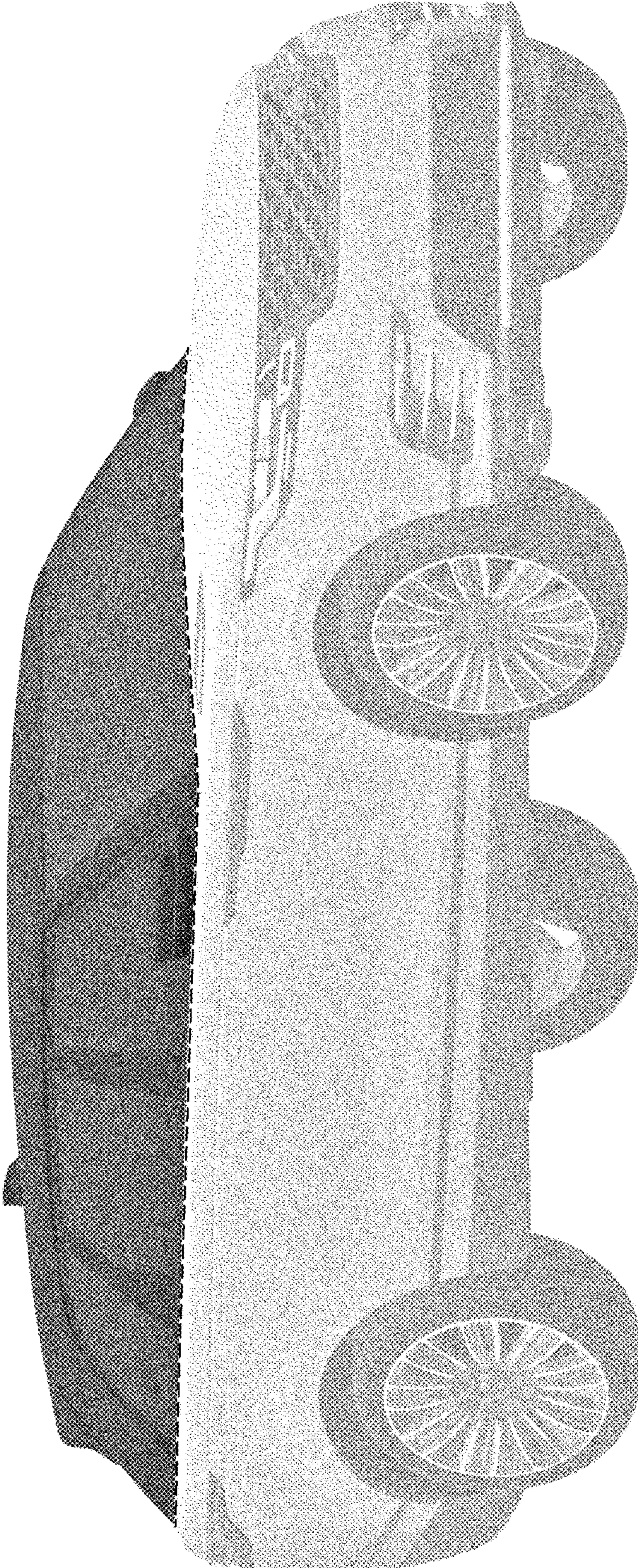


FIG. 2

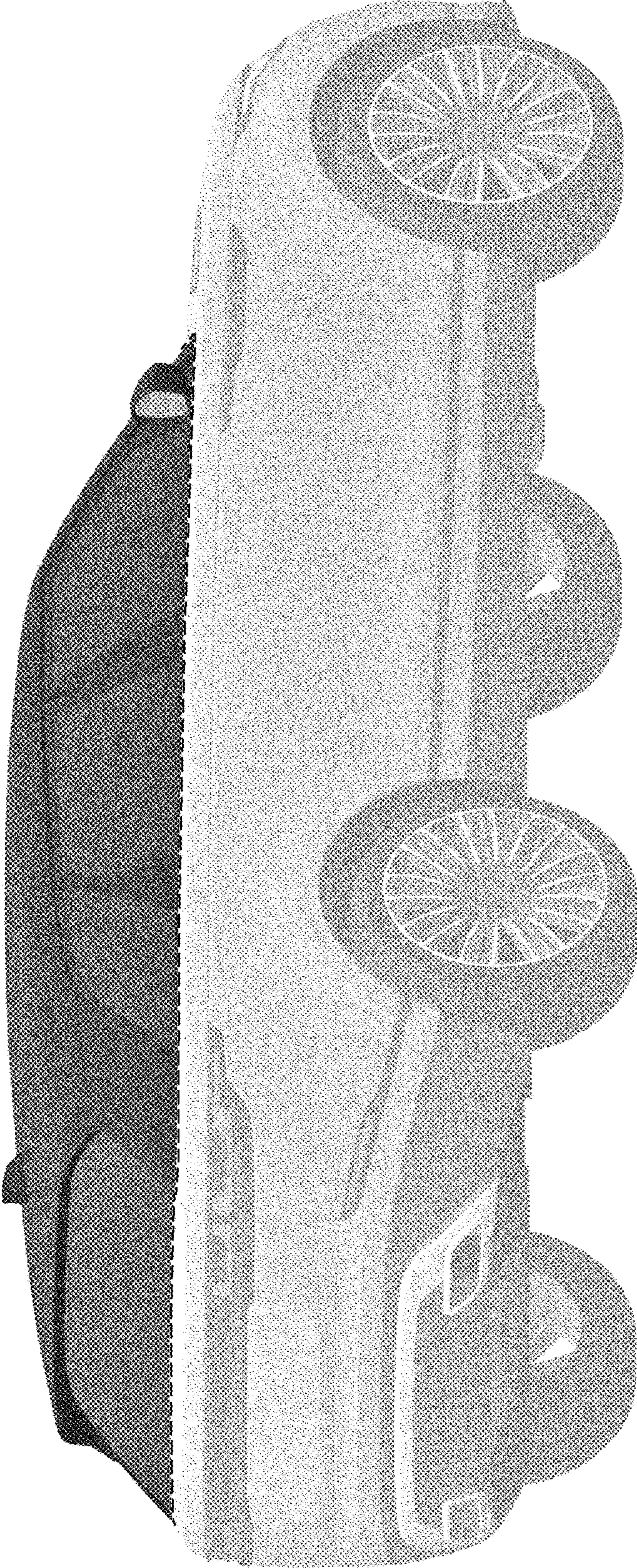


FIG. 3

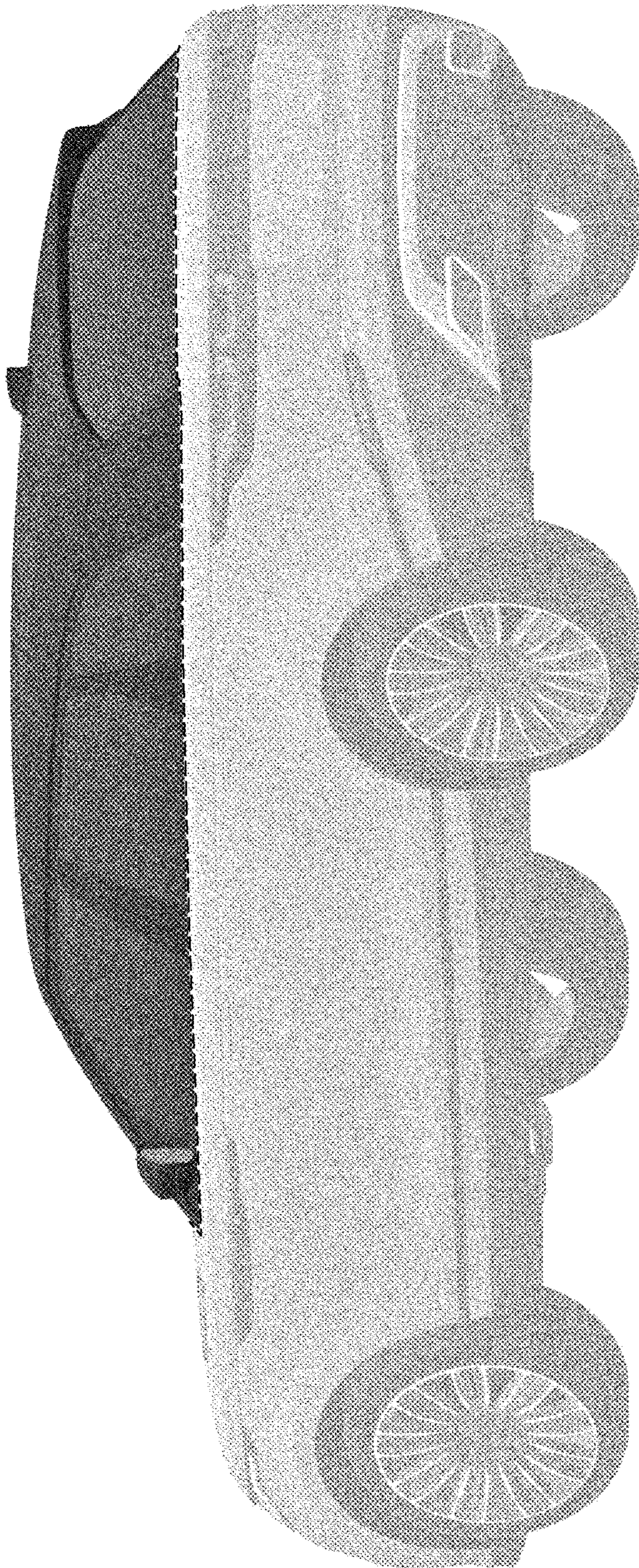


FIG. 4

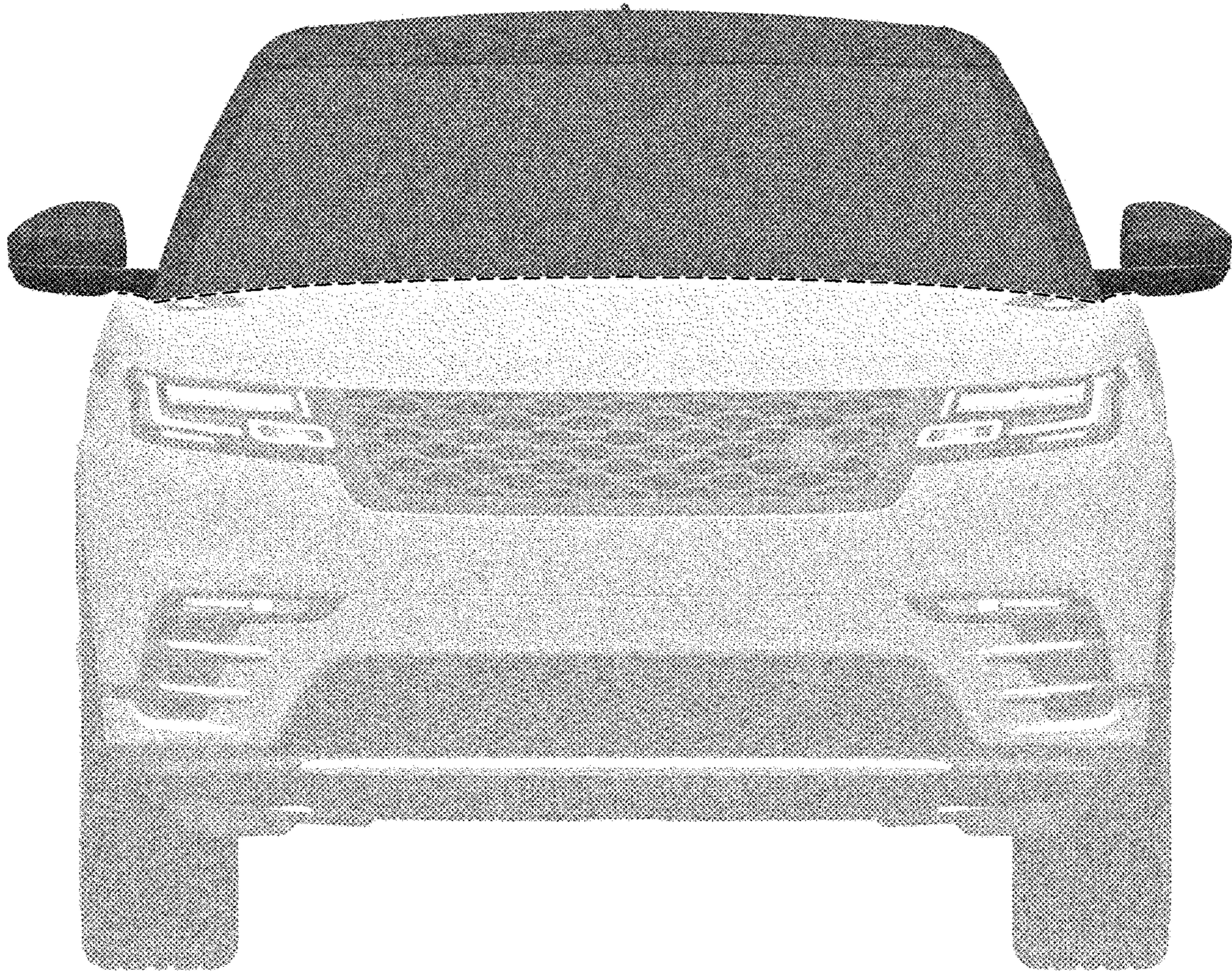


FIG. 5

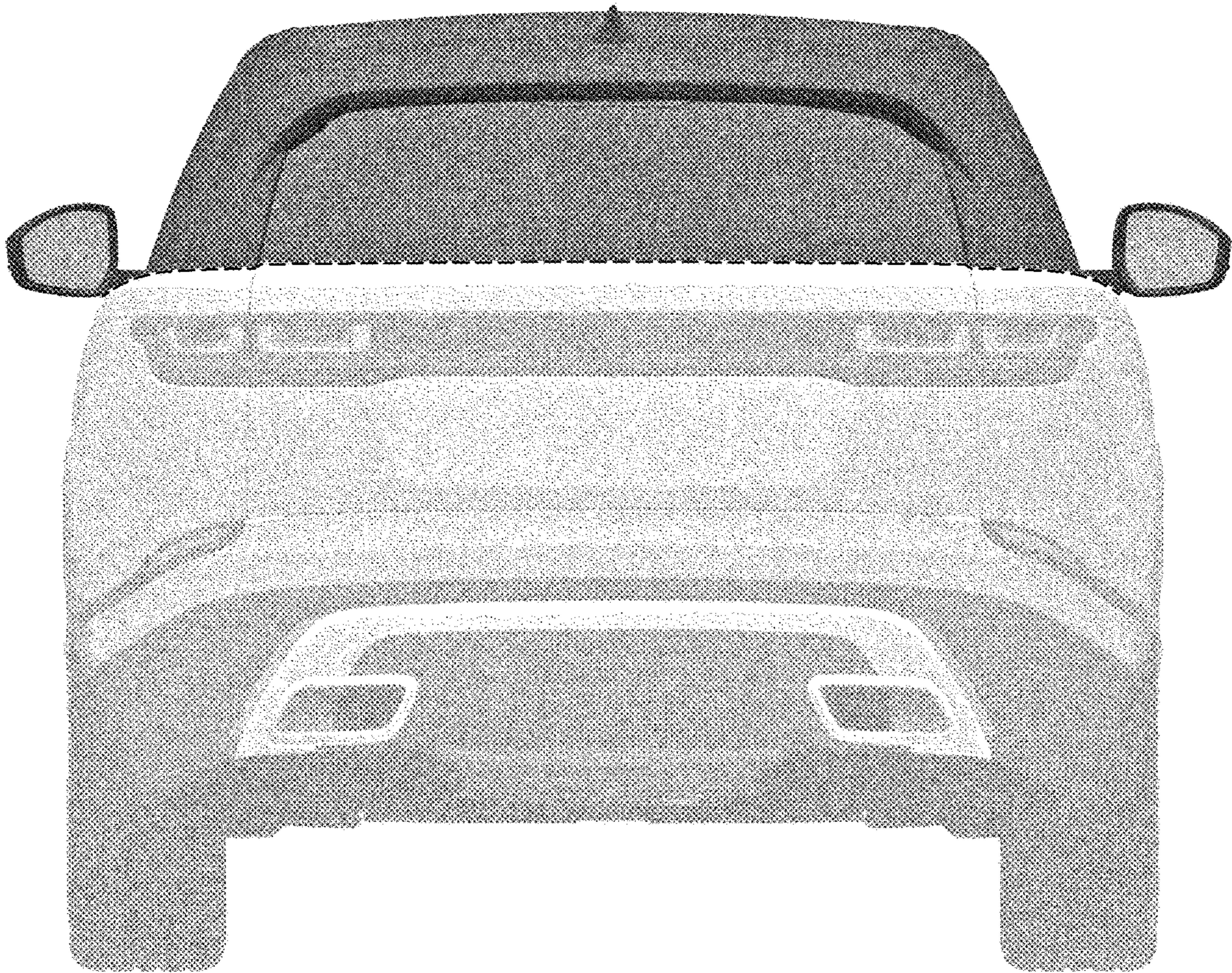


FIG. 6

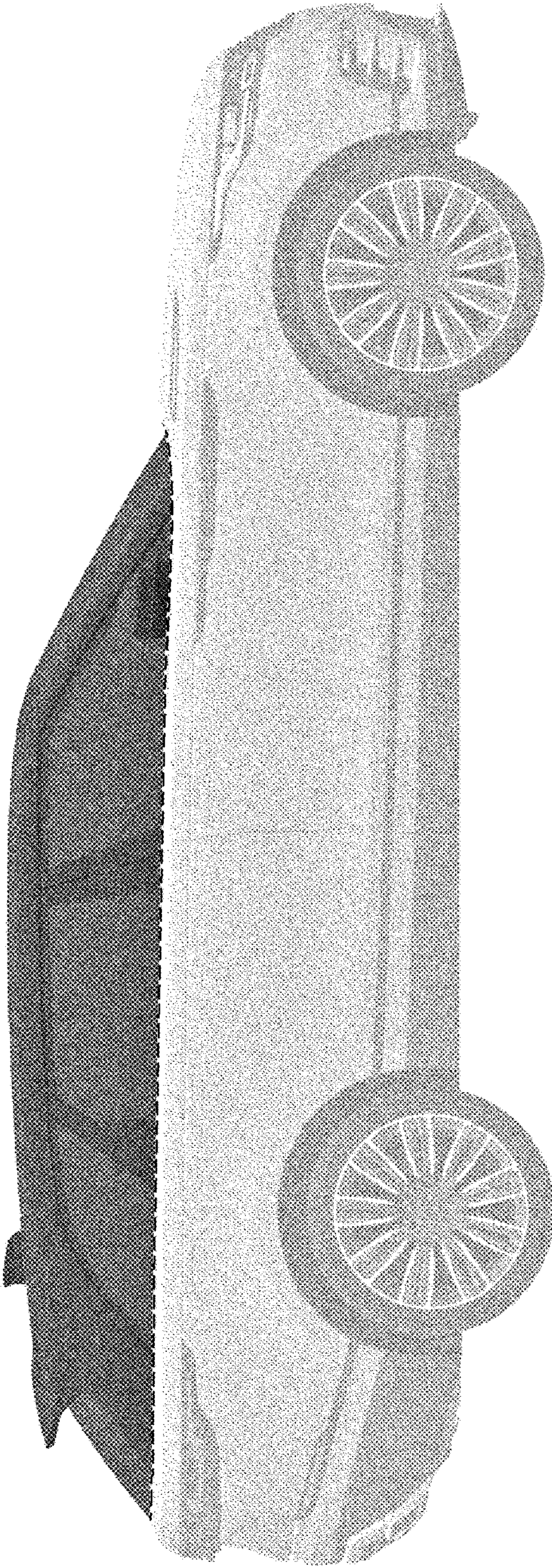


FIG. 7

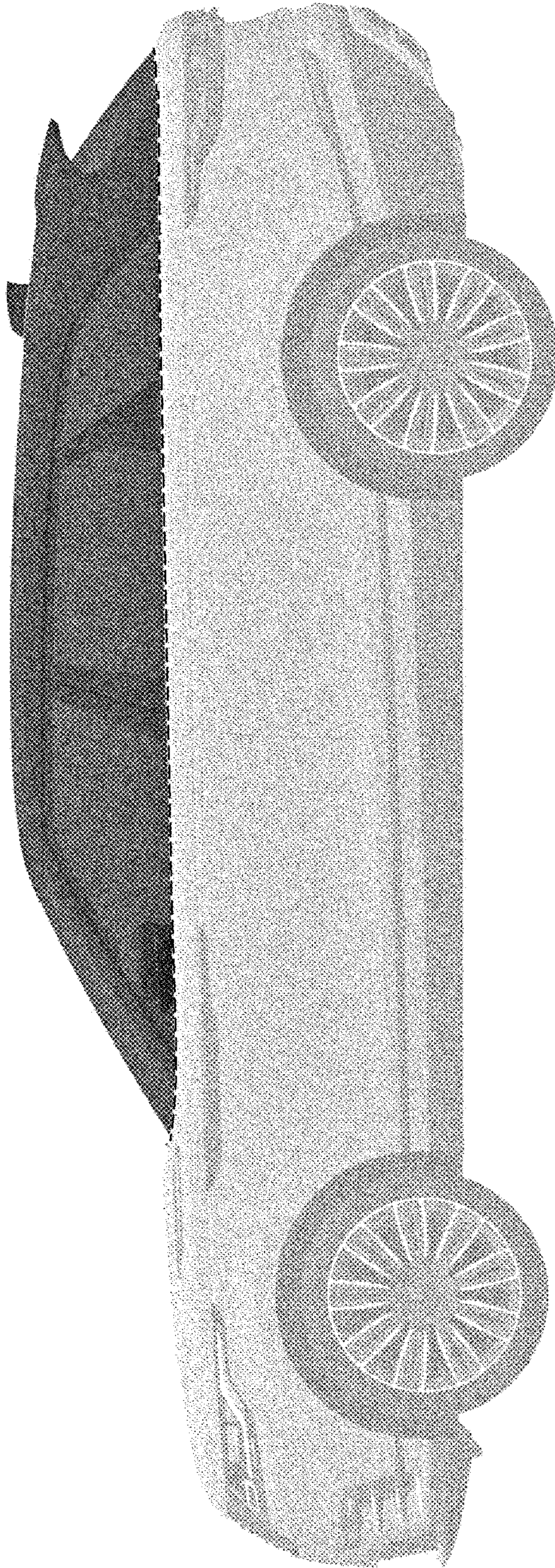


FIG. 8

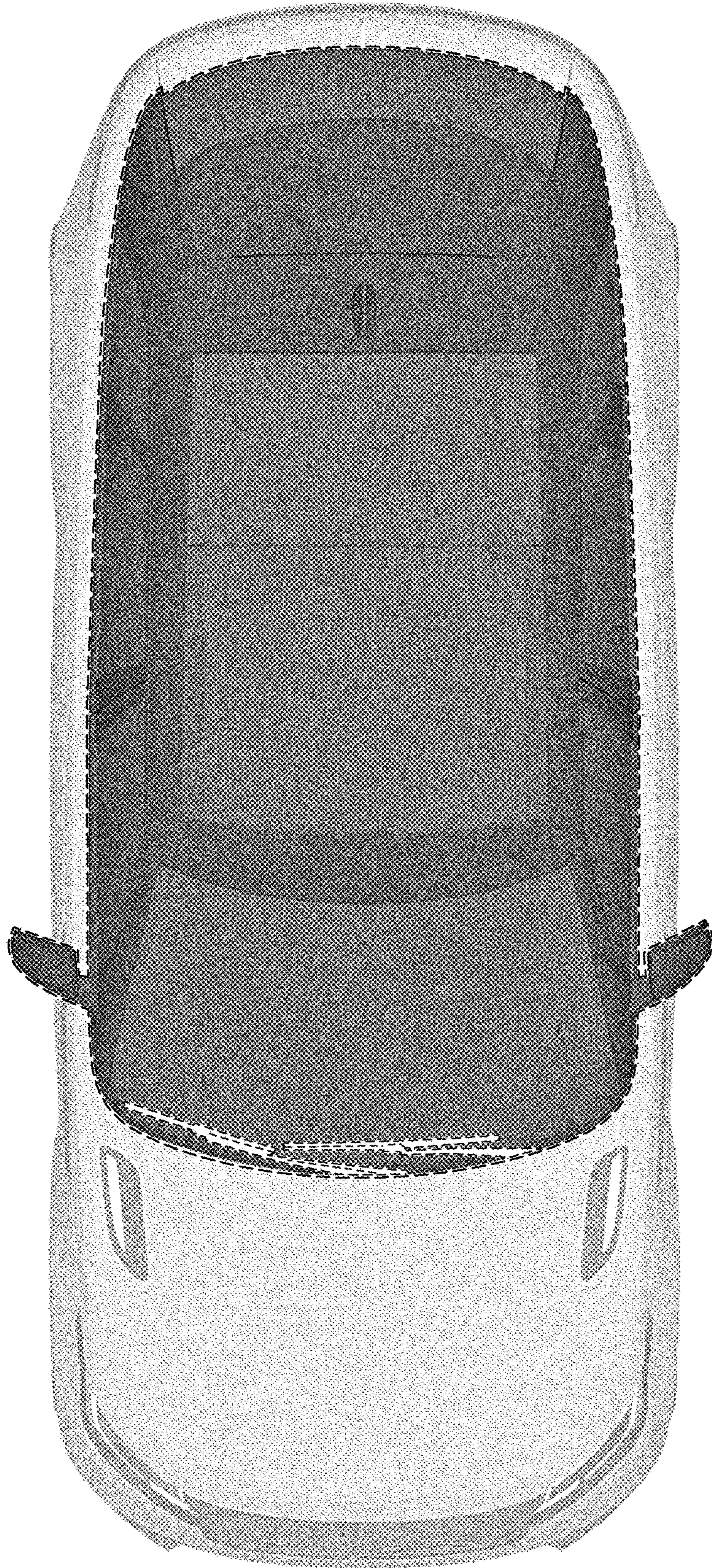


FIG. 9