

US00D840283S

(12) **United States Design Patent** (10) **Patent No.:** **US D840,283 S**
Platto et al. (45) **Date of Patent:** **** Feb. 12, 2019**

(54) **VEHICLE FRONT UPPER GRILLE**
(71) Applicant: **Ford Global Technologies, LLC**,
Dearborn, MI (US)
(72) Inventors: **Gordon M. Platto**, Troy, MI (US);
Sean W. Tant, Livonia, MI (US);
William K. Moore, West Bloomfield,
MI (US)
(73) Assignee: **Ford Global Technologies, LLC**,
Dearborn, MI (US)
(**) Term: **15 Years**
(21) Appl. No.: **29/588,164**
(22) Filed: **Dec. 19, 2016**
(51) **LOC (11) Cl.** **12-16**
(52) **U.S. Cl.**
USPC **D12/163**
(58) **Field of Classification Search**
USPC D12/86, 90, 91, 92, 163, 169, 171, 196,
D12/216
CPC B60R 19/02; B60R 19/04; B62D 25/00;
B62D 25/06; B62D 25/08; B62D 35/00
See application file for complete search history.

(56) **References Cited**
U.S. PATENT DOCUMENTS
D411,493 S * 6/1999 Davis, Jr. D12/163
D491,495 S * 6/2004 Metros D12/163
D495,979 S * 9/2004 Metros D12/163
7,059,031 B1 * 6/2006 Elwell B60R 13/00
180/68.6
D532,723 S * 11/2006 Schiavone D12/163
D533,485 S * 12/2006 Schiavone D12/163
D533,815 S * 12/2006 Matei D12/163
D534,841 S * 1/2007 Matei D12/163
D560,567 S * 1/2008 Tant D12/163
D560,568 S * 1/2008 Tant D12/163

D561,655 S * 2/2008 Ellis D12/163
D561,656 S * 2/2008 Ellis D12/163
D570,258 S * 6/2008 Smith D12/163
D580,310 S * 11/2008 Tant D12/163
D580,312 S * 11/2008 Opfer D12/163
D584,196 S * 1/2009 Ebel D12/163
D585,796 S * 2/2009 Nagasaka D12/163
D607,786 S * 1/2010 Golden D12/163
D607,787 S * 1/2010 Golden D12/163
D609,142 S * 2/2010 Roller D12/163
D679,225 S * 4/2013 Gifford D12/163
D685,695 S * 7/2013 Platto D12/163
D685,696 S 7/2013 Platto
D721,302 S 1/2015 Platto
D755,088 S * 5/2016 McMahan D12/163
D769,160 S 10/2016 Platto
D775,003 S * 12/2016 Pevovar D12/163
D776,020 S * 1/2017 Kapitonov D12/163
D782,943 S * 4/2017 Kavaja D12/163
D782,944 S * 4/2017 Pevovar D12/163

(Continued)

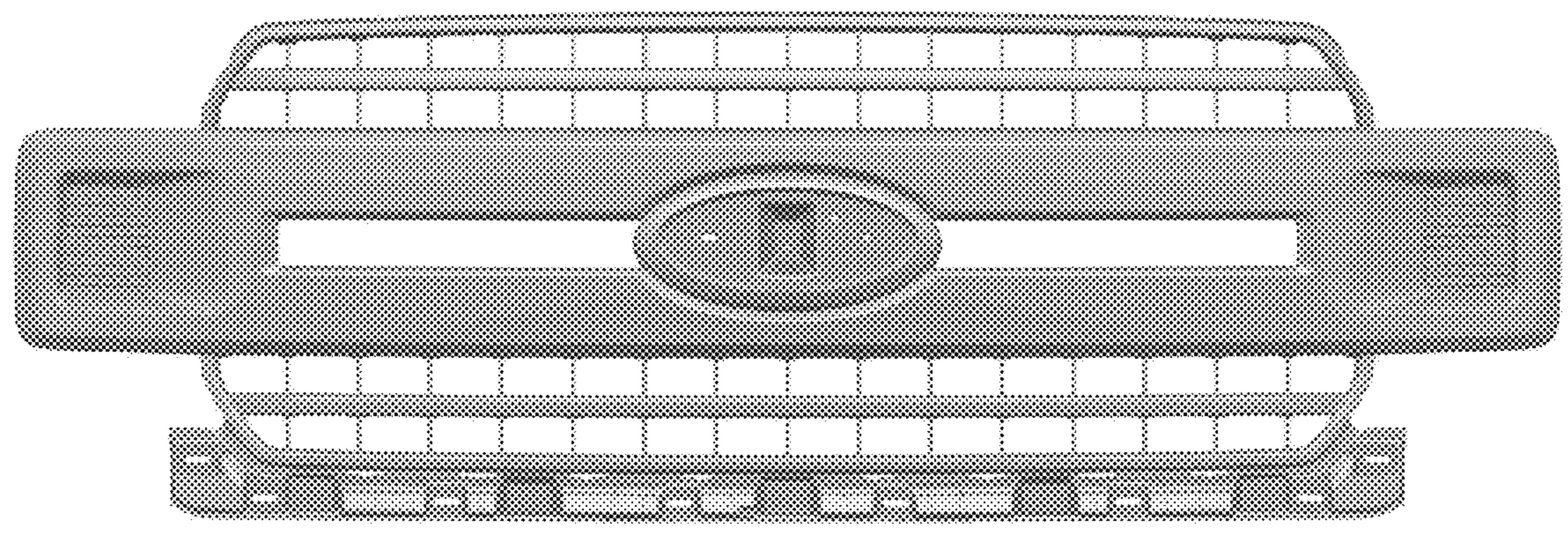
Primary Examiner — Susan Bennett Hattan
Assistant Examiner — Suzanne E Tisdell
(74) *Attorney, Agent, or Firm* — James Dottavio

(57) **CLAIM**
The ornamental design for a vehicle front upper grille, as shown.

DESCRIPTION

FIG. 1 is a top left perspective view of a vehicle front upper grille, showing our new design;
FIG. 2 is a bottom left perspective view thereof;
FIG. 3 is a top rear perspective view thereof;
FIG. 4 is a front elevational view thereof;
FIG. 5 is a rear elevational view thereof;
FIG. 6 is a left side elevational view thereof;
FIG. 7 is a right side elevational view thereof;
FIG. 8 is a top plan view thereof; and,
FIG. 9 is a bottom plan view thereof.

1 Claim, 9 Drawing Sheets



(56)

References Cited

U.S. PATENT DOCUMENTS

2010/0148525 A1* 6/2010 Abdelnour B60R 19/52
293/115
2011/0181062 A1* 7/2011 Bernt B60K 11/085
293/102
2012/0090906 A1* 4/2012 Charnesky B60K 11/085
180/68.1
2014/0291056 A1* 10/2014 Takanaga B60K 11/085
180/274

* cited by examiner

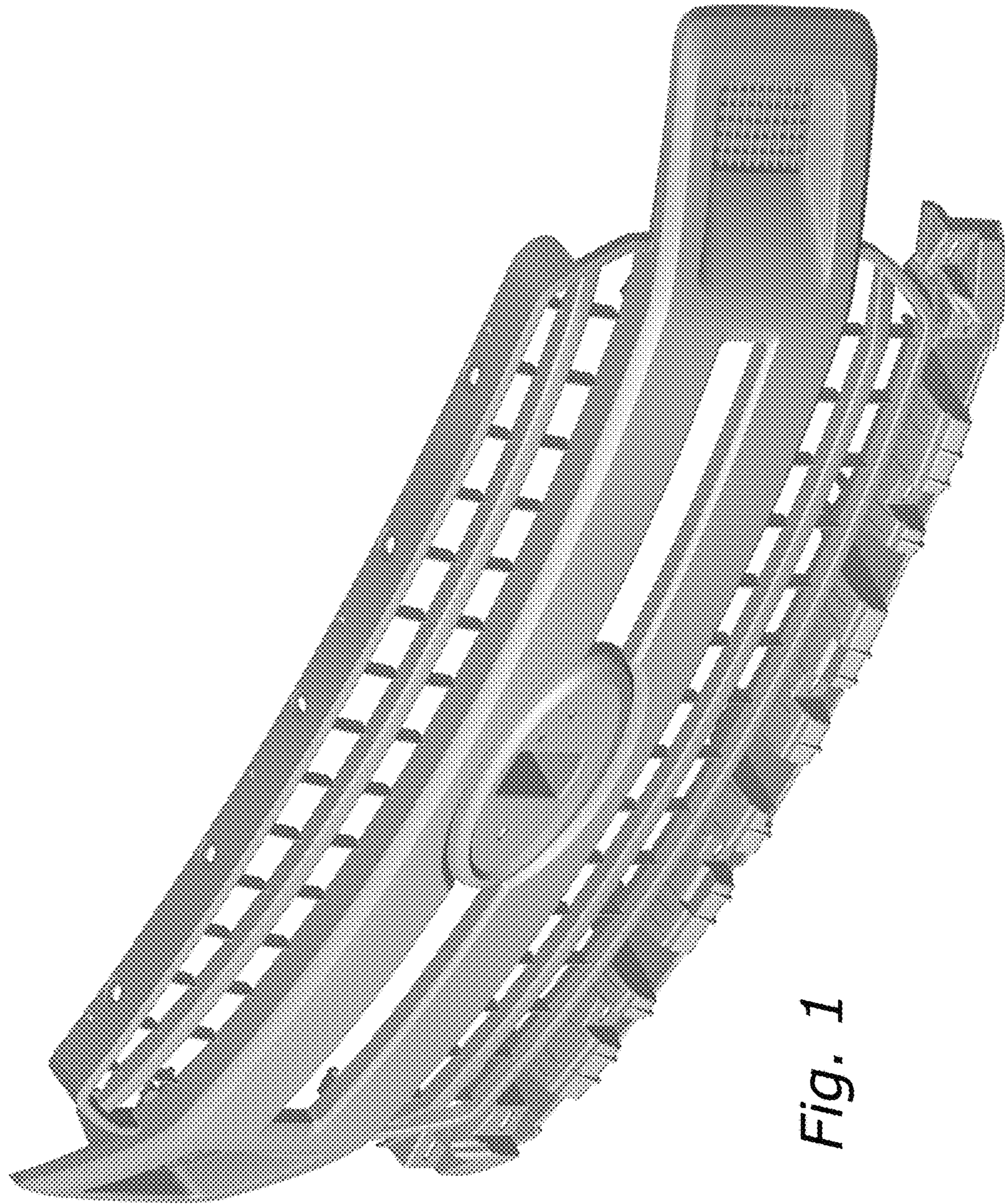


Fig. 1

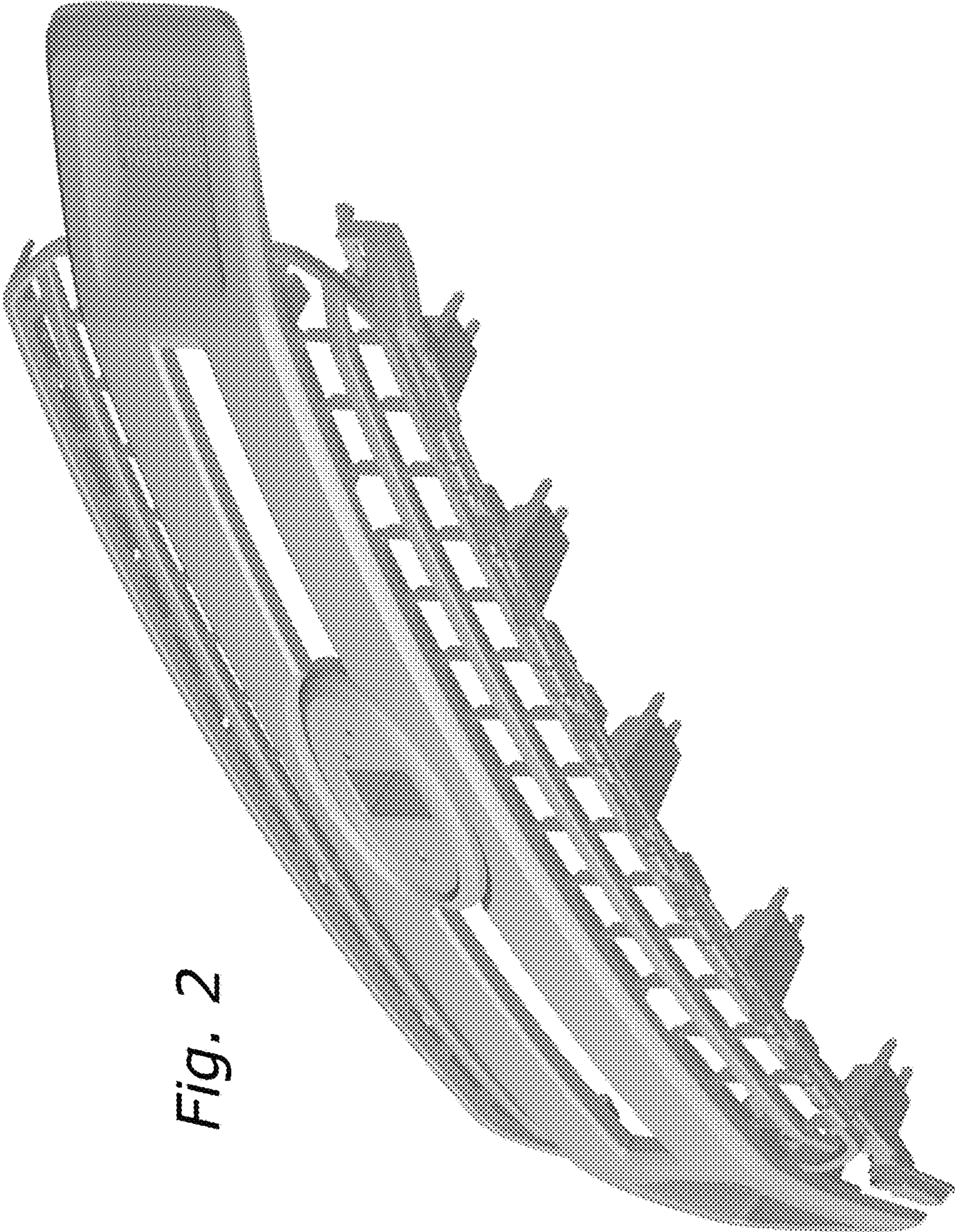


Fig. 2

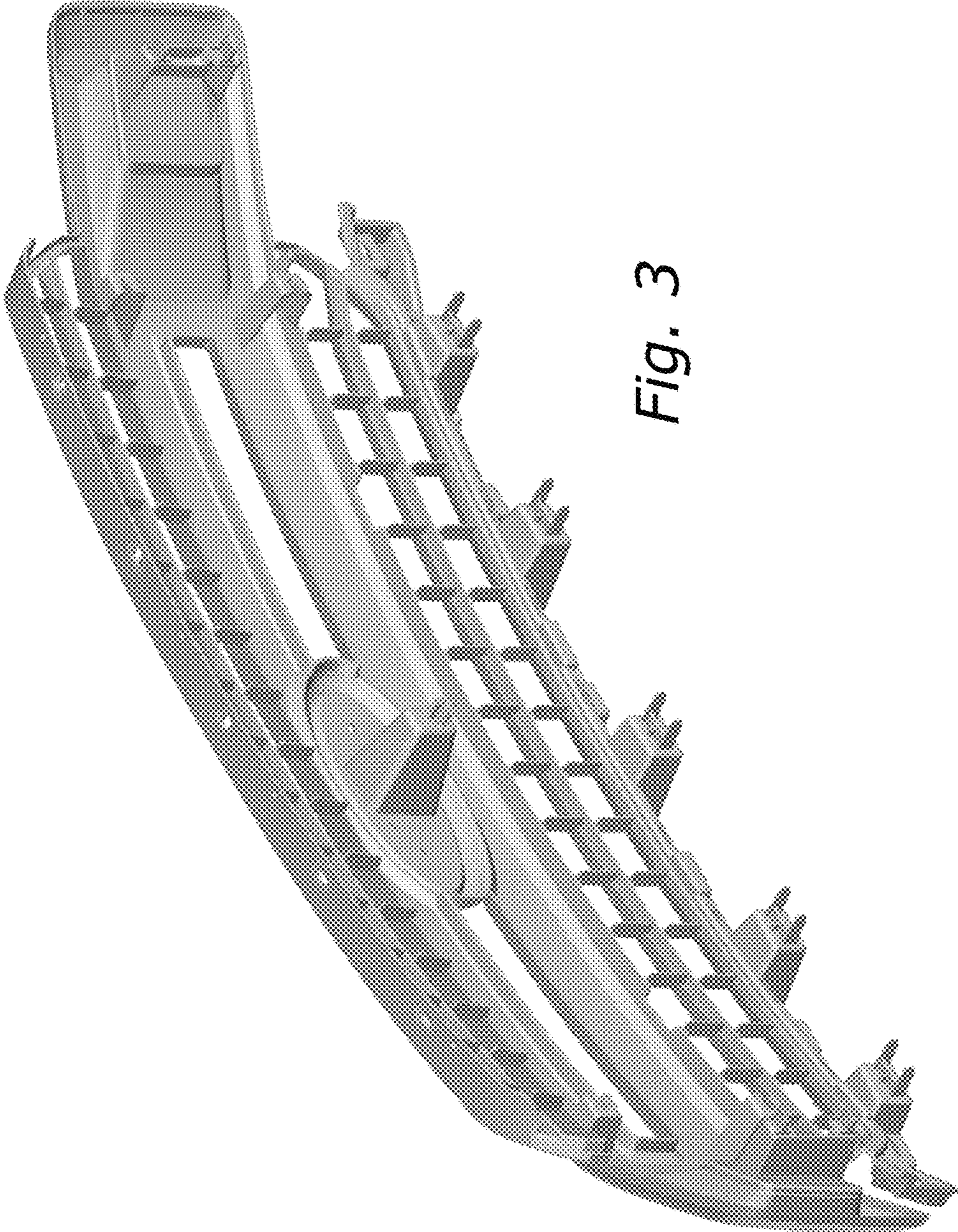


Fig. 3

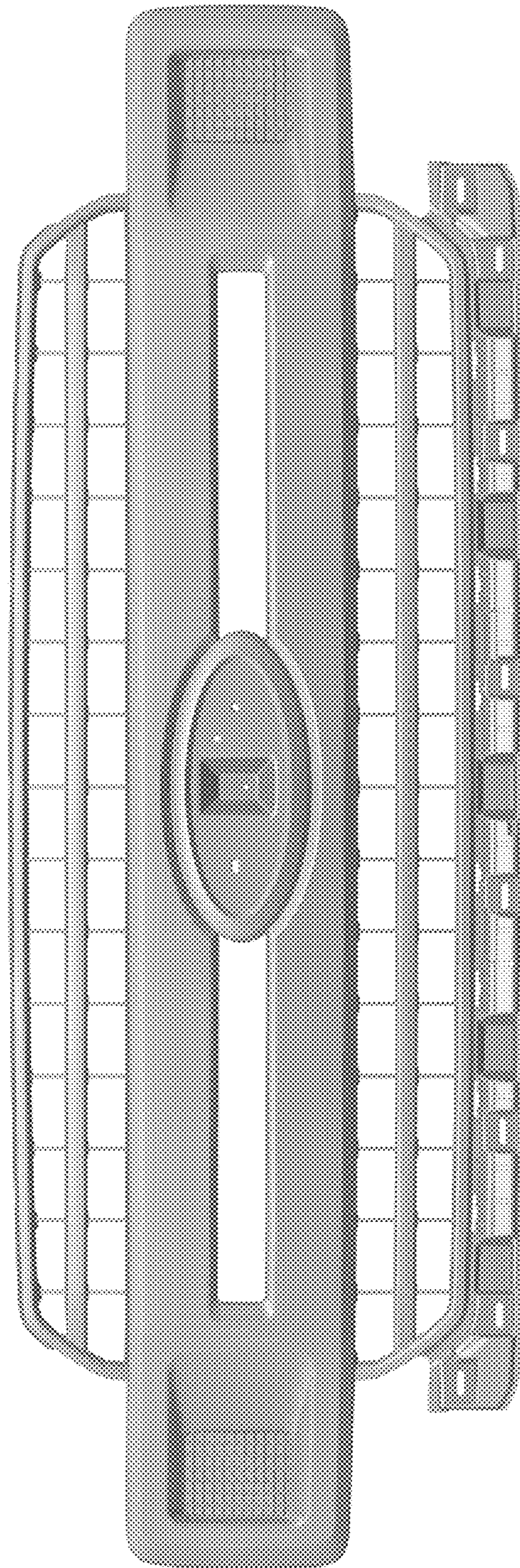


Fig. 4

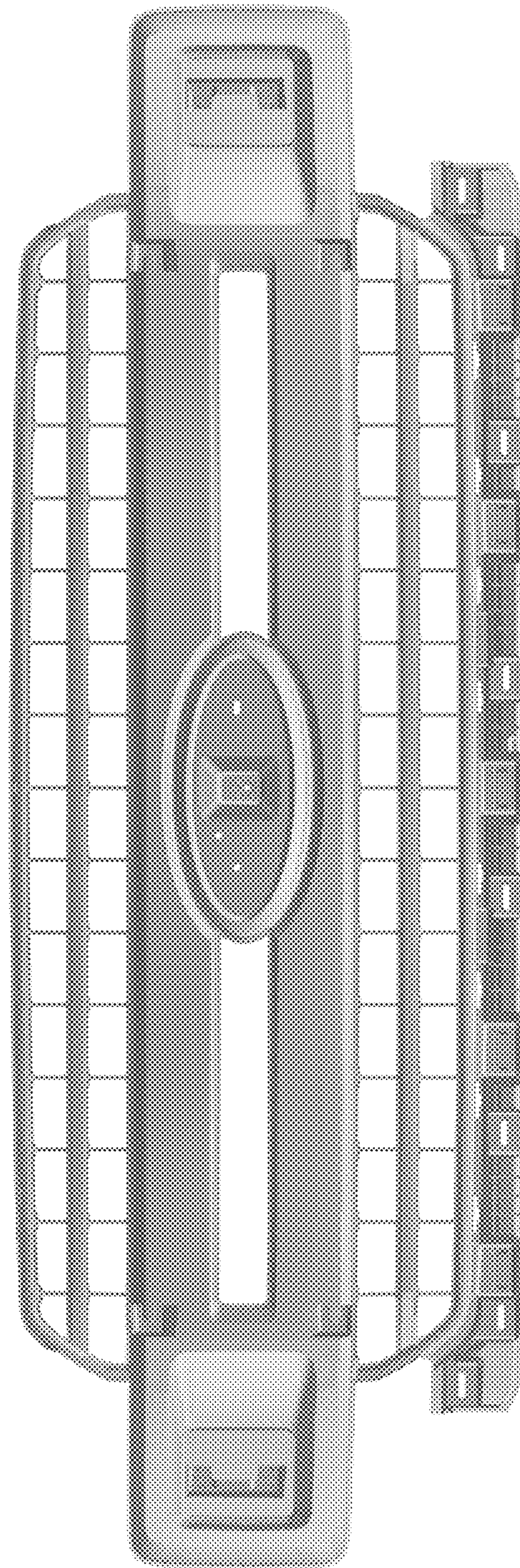


Fig. 5

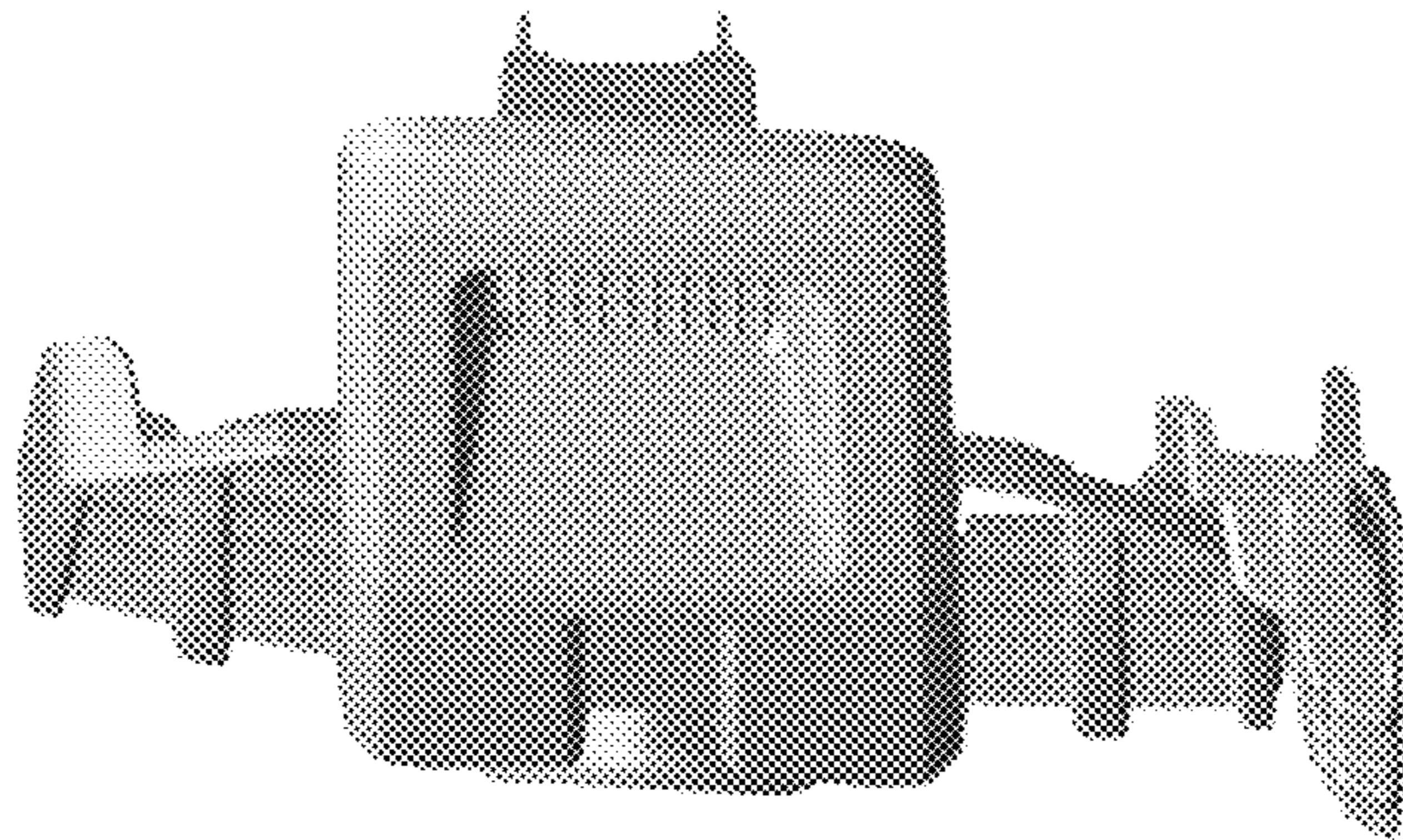


Fig. 6

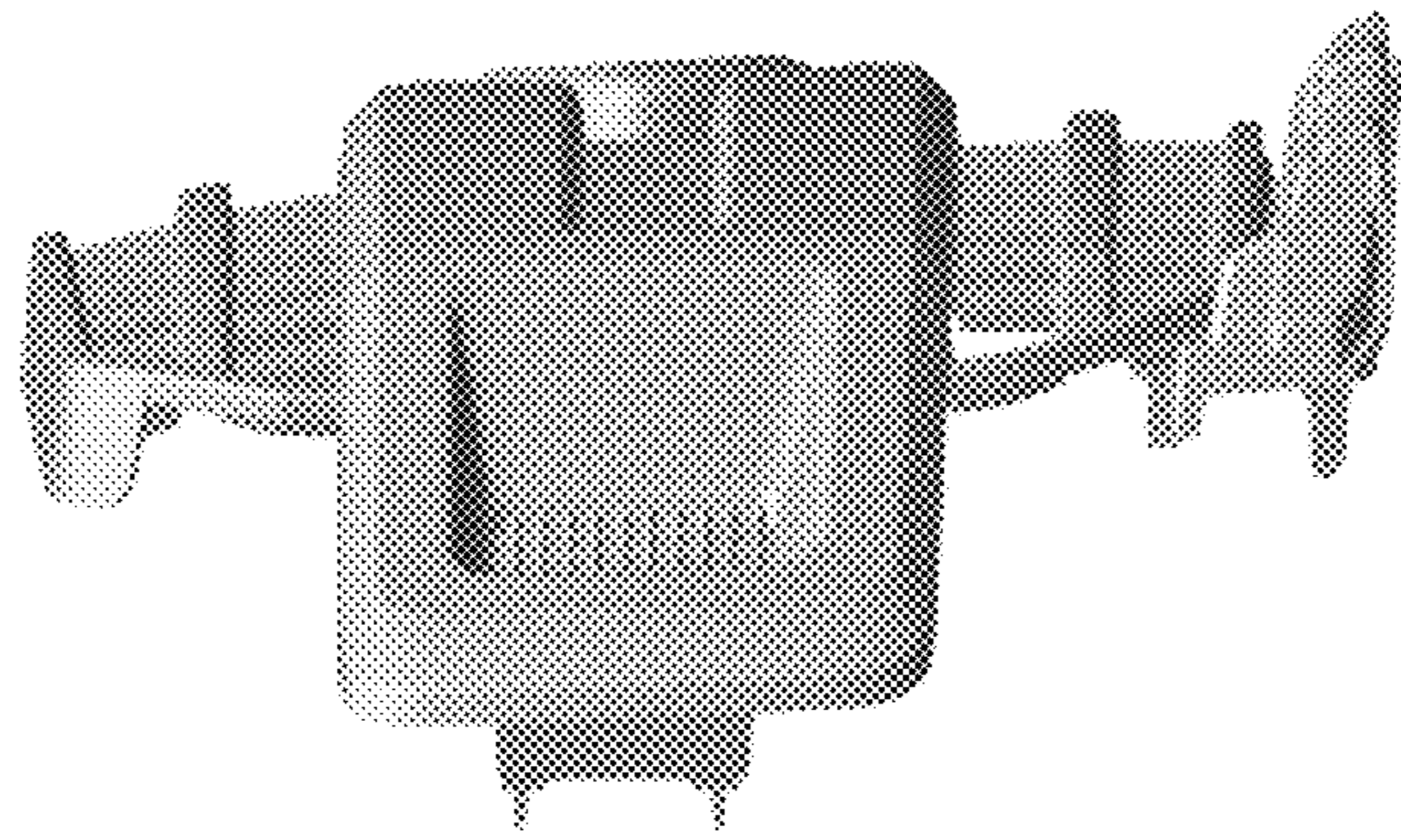


Fig. 7

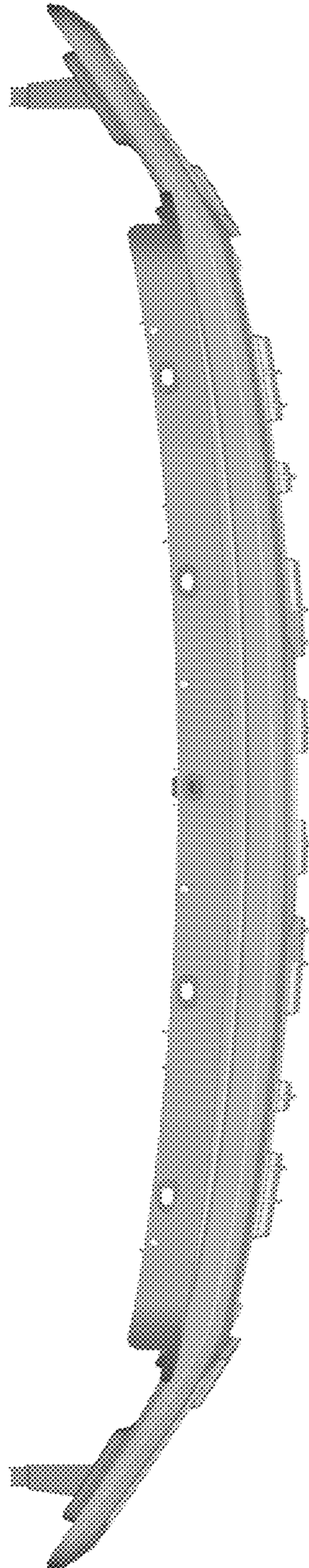


Fig. 8

Fig. 9

