



US00D840282S

(12) **United States Design Patent** (10) **Patent No.:** **US D840,282 S**  
**Coste** (45) **Date of Patent:** **\*\* Feb. 12, 2019**

(54) **COUPLING FOR VEHICLE** 6,769,710 B1 \* 8/2004 Lim ..... B60D 1/00  
280/490.1  
(71) Applicant: **HORIZON GLOBAL AMERICAS** D651,962 S \* 1/2012 Barkdoll ..... D12/223  
**INC., Plymouth, MI (US)** D656,884 S \* 4/2012 Barkdoll ..... D12/223  
D698,287 S \* 1/2014 Terpsma ..... D12/162  
(72) Inventor: **Fabien Coste, Plymouth, MI (US)** D758,174 S \* 6/2016 Lee ..... D8/382  
D782,292 S \* 3/2017 Wessel ..... D8/382  
D824,430 S \* 7/2018 Sivinski ..... D15/28  
(73) Assignee: **HORIZON GLOBAL AMERICAS** 2011/0001303 A1 \* 1/2011 Brewer ..... B60D 1/02  
**INC., Plymouth, MI (US)** 280/495  
2011/0049840 A1 \* 3/2011 Shaw ..... B60D 1/02  
280/515  
(\*\*) Term: **15 Years** 2015/0102581 A1 \* 4/2015 Schwensen ..... B60D 1/52  
280/407

(21) Appl. No.: **29/626,513**

(22) Filed: **Nov. 17, 2017**

(51) **LOC (11) Cl.** ..... **12-16**

(52) **U.S. Cl.**  
USPC ..... **D12/162; D12/223; D8/382**

(58) **Field of Classification Search**  
USPC ..... D12/106, 317, 400, 406, 412, 190, 223;  
D8/382  
CPC . B60D 1/02; B60D 1/025; B60D 1/06; B60D  
1/481; B60D 1/485; B60D 1/488; B60D  
1/52; B60D 5/00; B60D 5/003; B60D  
5/006; B60D 7/00

See application file for complete search history.

(56) **References Cited**

**U.S. PATENT DOCUMENTS**

4,711,461 A \* 12/1987 Fromberg ..... B60D 1/02  
280/494  
D375,284 S \* 11/1996 Kass ..... D12/162  
D377,775 S \* 2/1997 Barton, Jr. .... D12/168  
D418,094 S \* 12/1999 Schmidt ..... D12/162  
D467,792 S \* 12/2002 Zadak ..... A47F 5/0823  
D8/354  
D470,795 S \* 2/2003 Terwilliger ..... D12/20

\* cited by examiner

*Primary Examiner* — Sandra S Snapp

*Assistant Examiner* — Ieisha N Price

(74) *Attorney, Agent, or Firm* — McDonald Hopkins LLC

(57) **CLAIM**

The ornamental design for a coupling for vehicle, as shown and described.

**DESCRIPTION**

FIG. 1 is a front perspective view of a coupling for vehicle showing our new design;

FIG. 2 is a front view thereof;

FIG. 3 is a rear view thereof;

FIG. 4 is a right side view thereof;

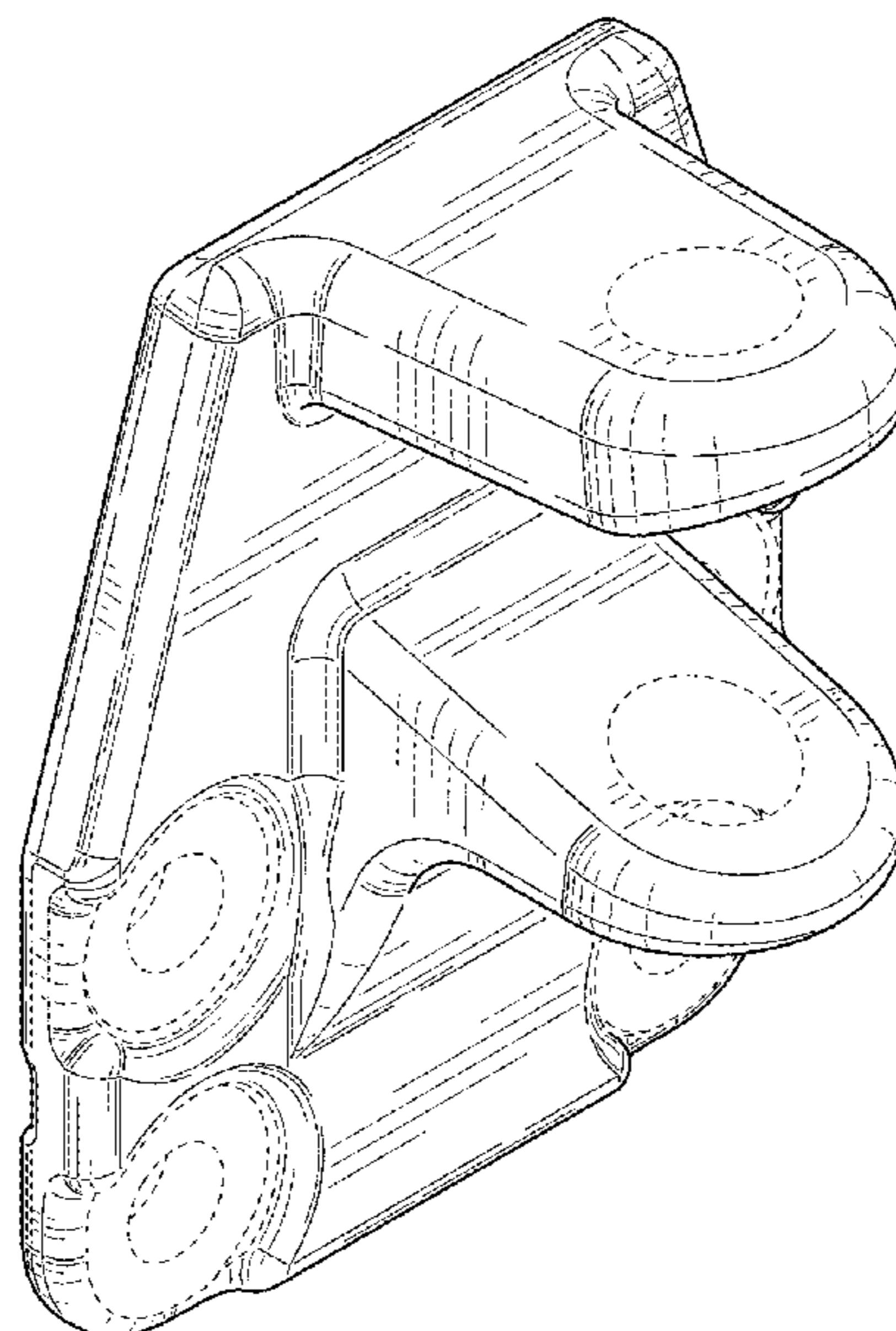
FIG. 5 is a left side view thereof;

FIG. 6 is a top view thereof; and,

FIG. 7 is a bottom view thereof.

The broken lines in the figures are included for the purpose of illustrating portions of the coupling for vehicle and form no part of the claimed design.

**1 Claim, 3 Drawing Sheets**



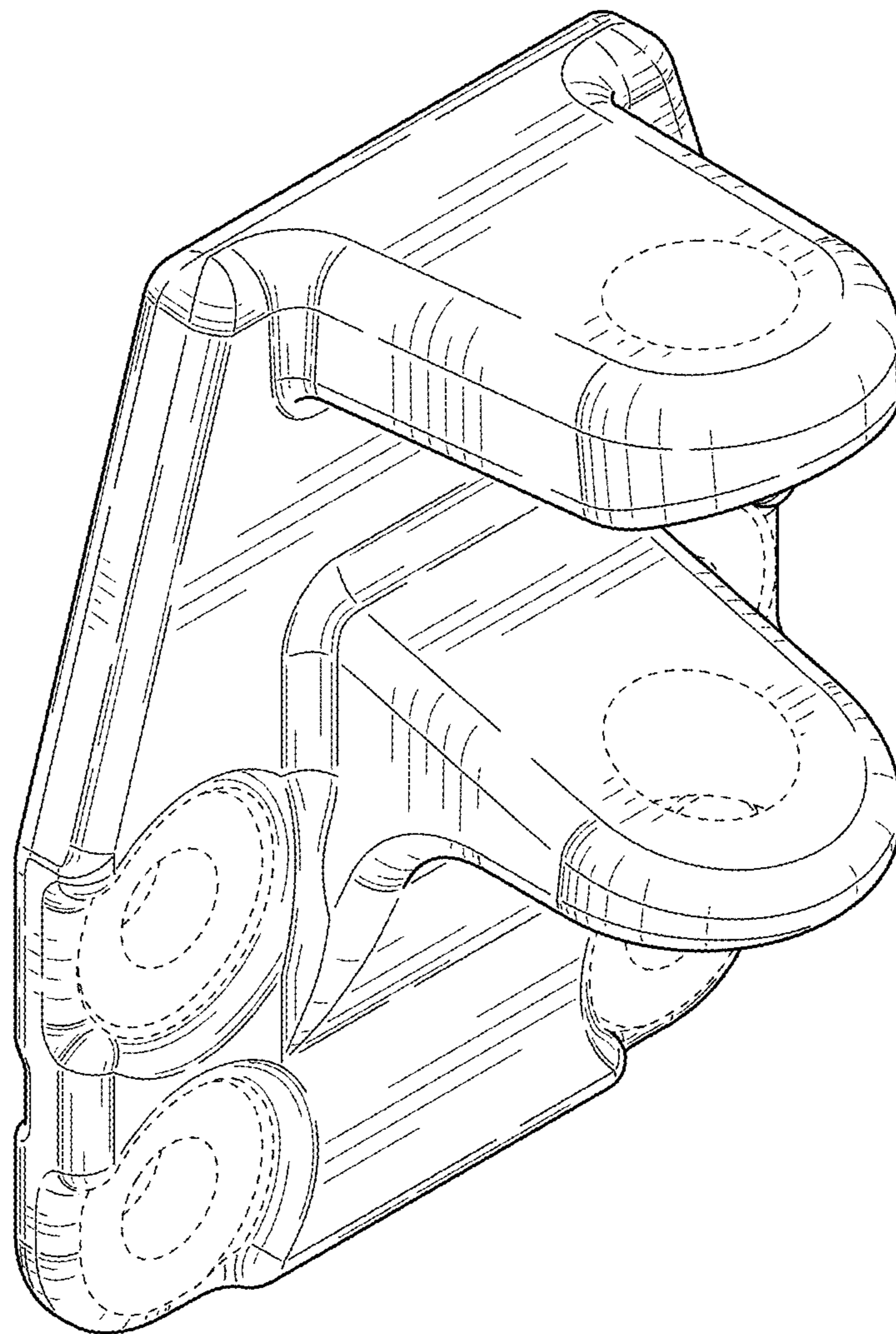


FIG. 1

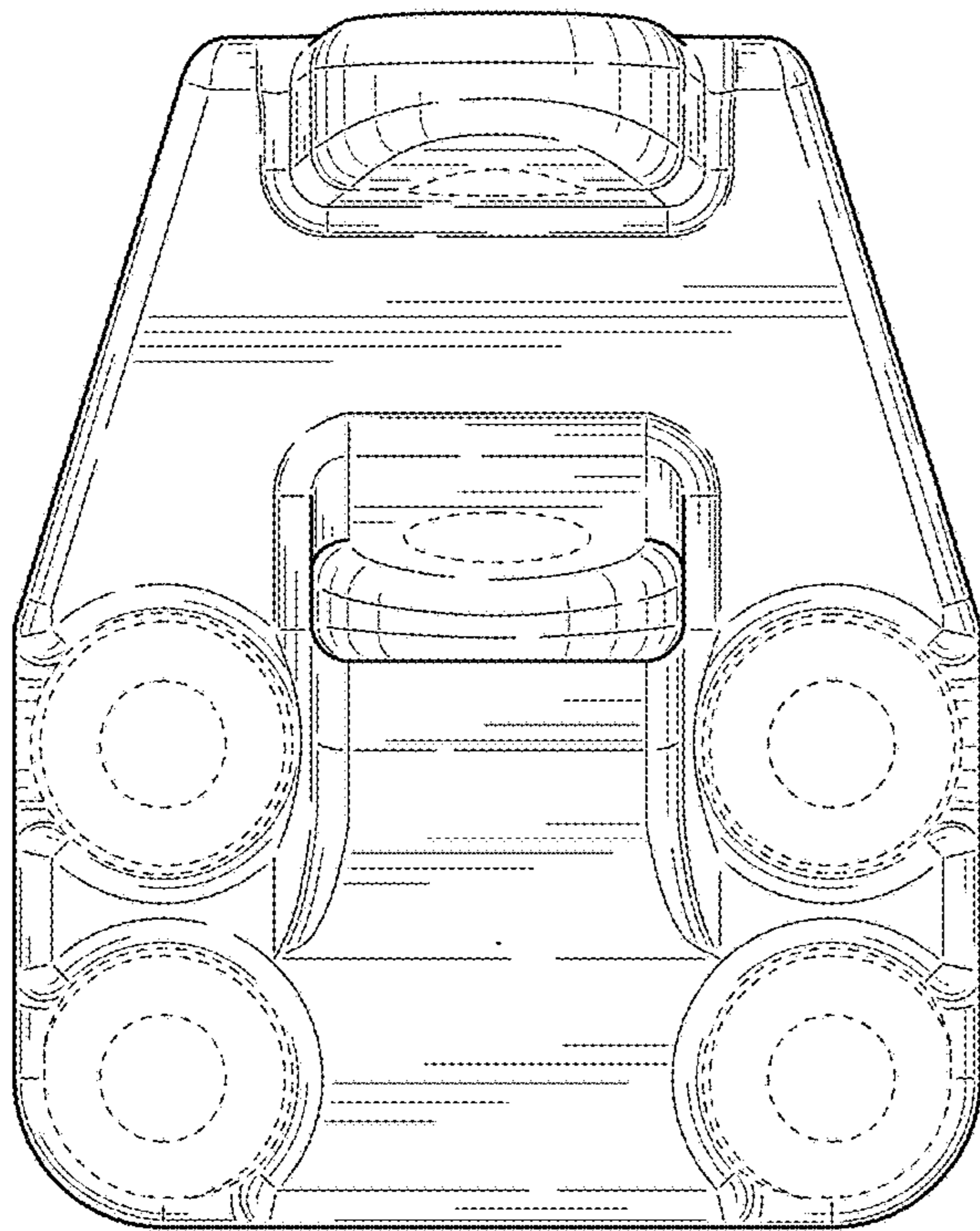


FIG. 2

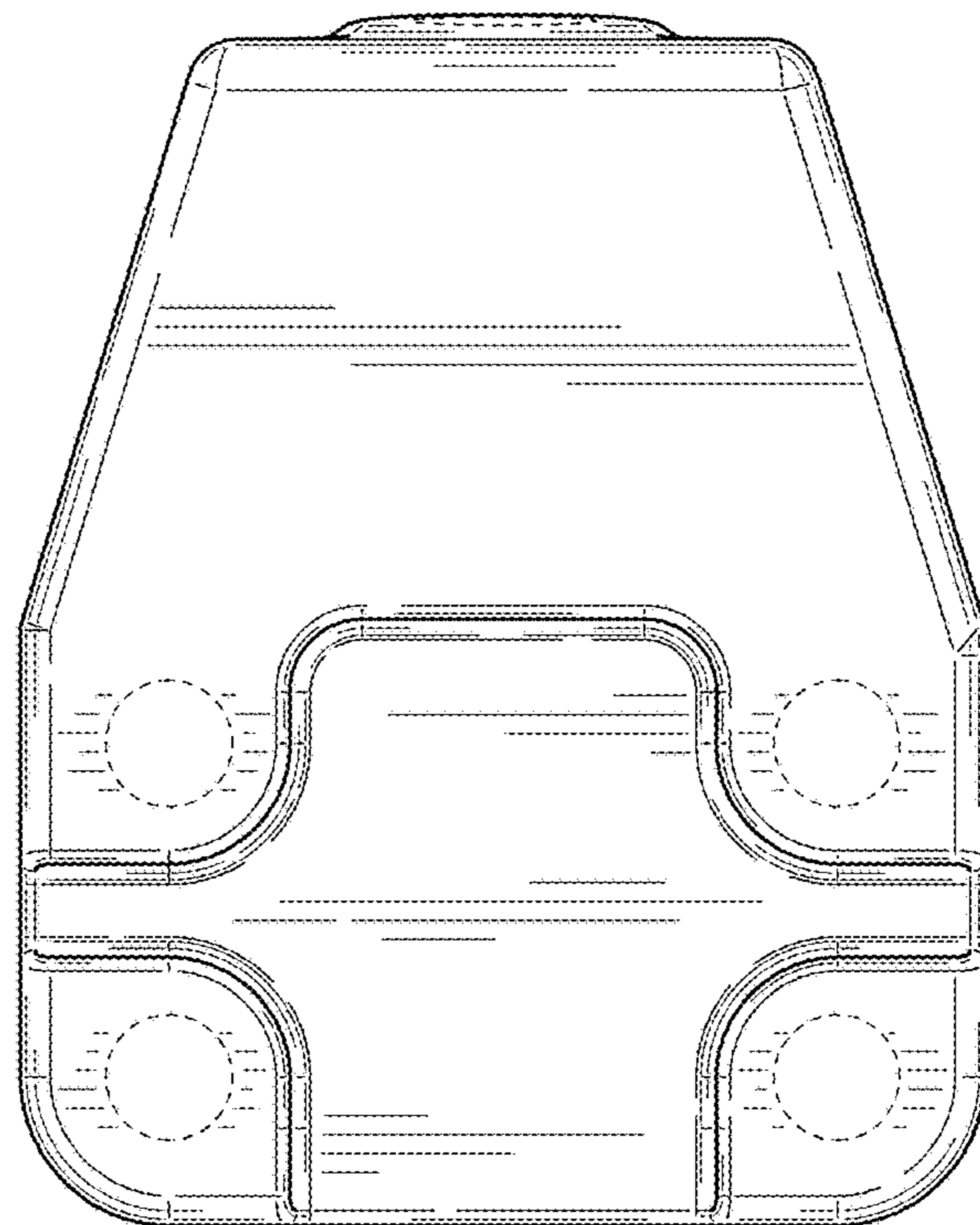


FIG. 3

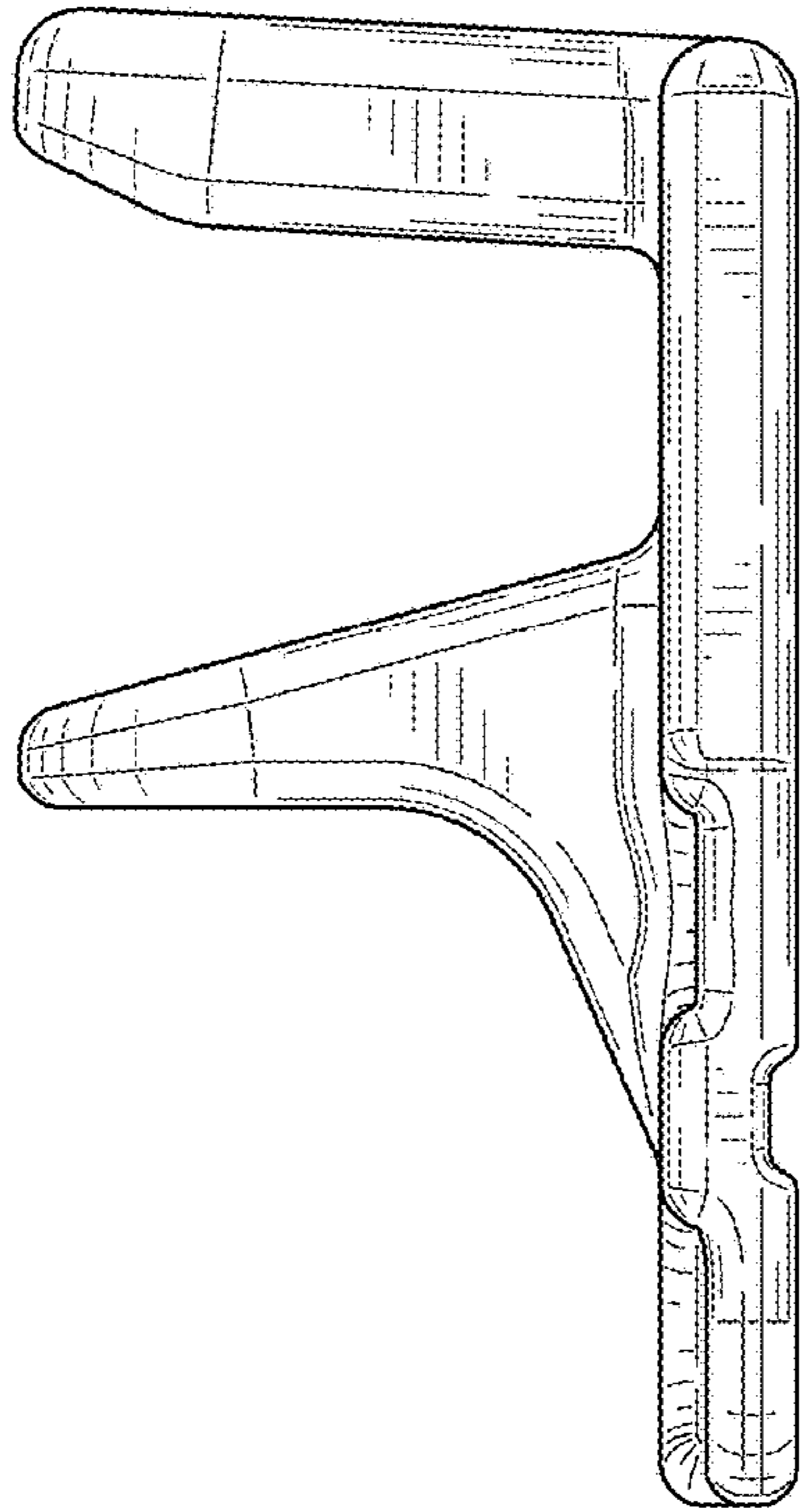


FIG. 4

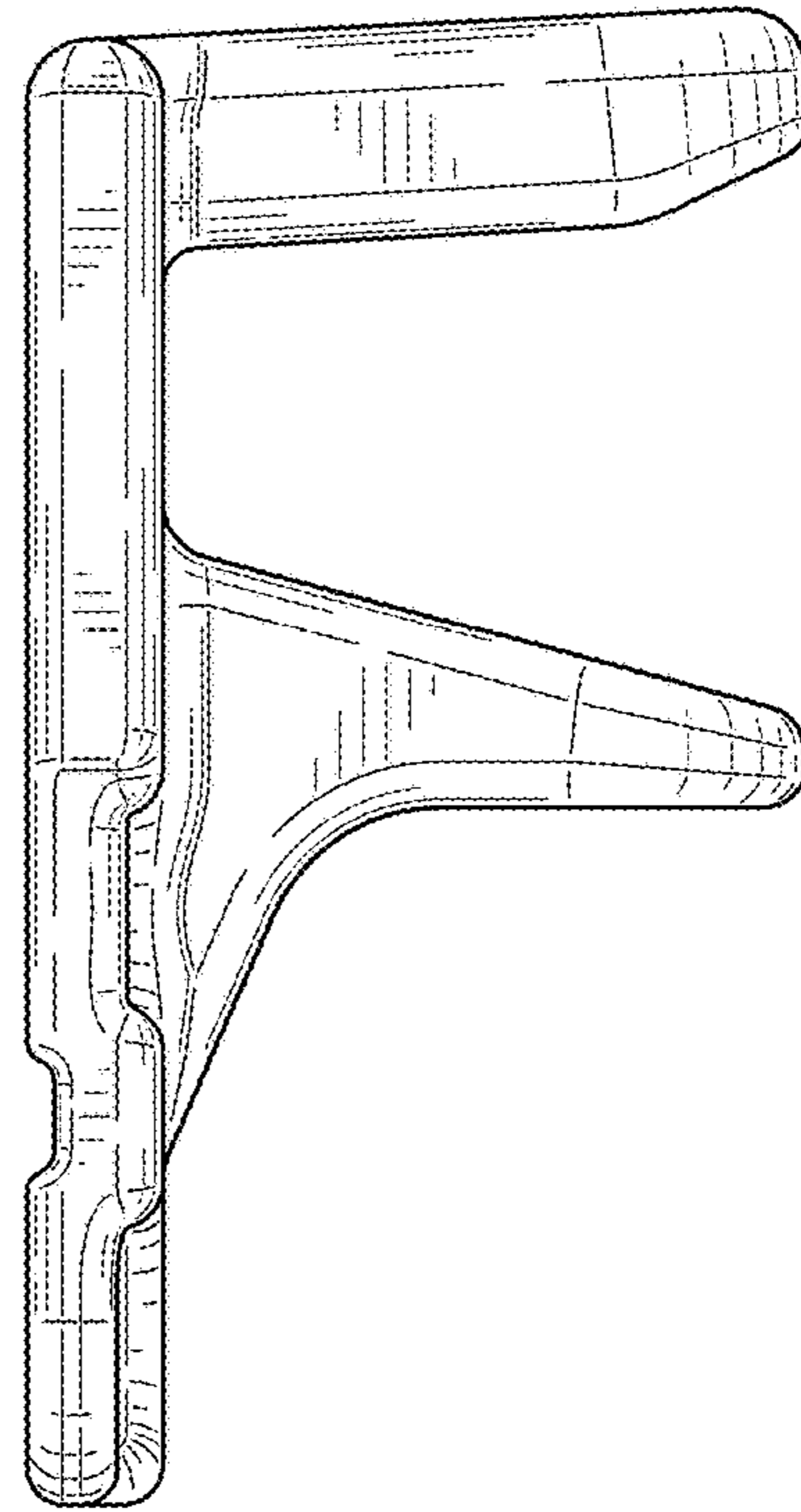


FIG. 5

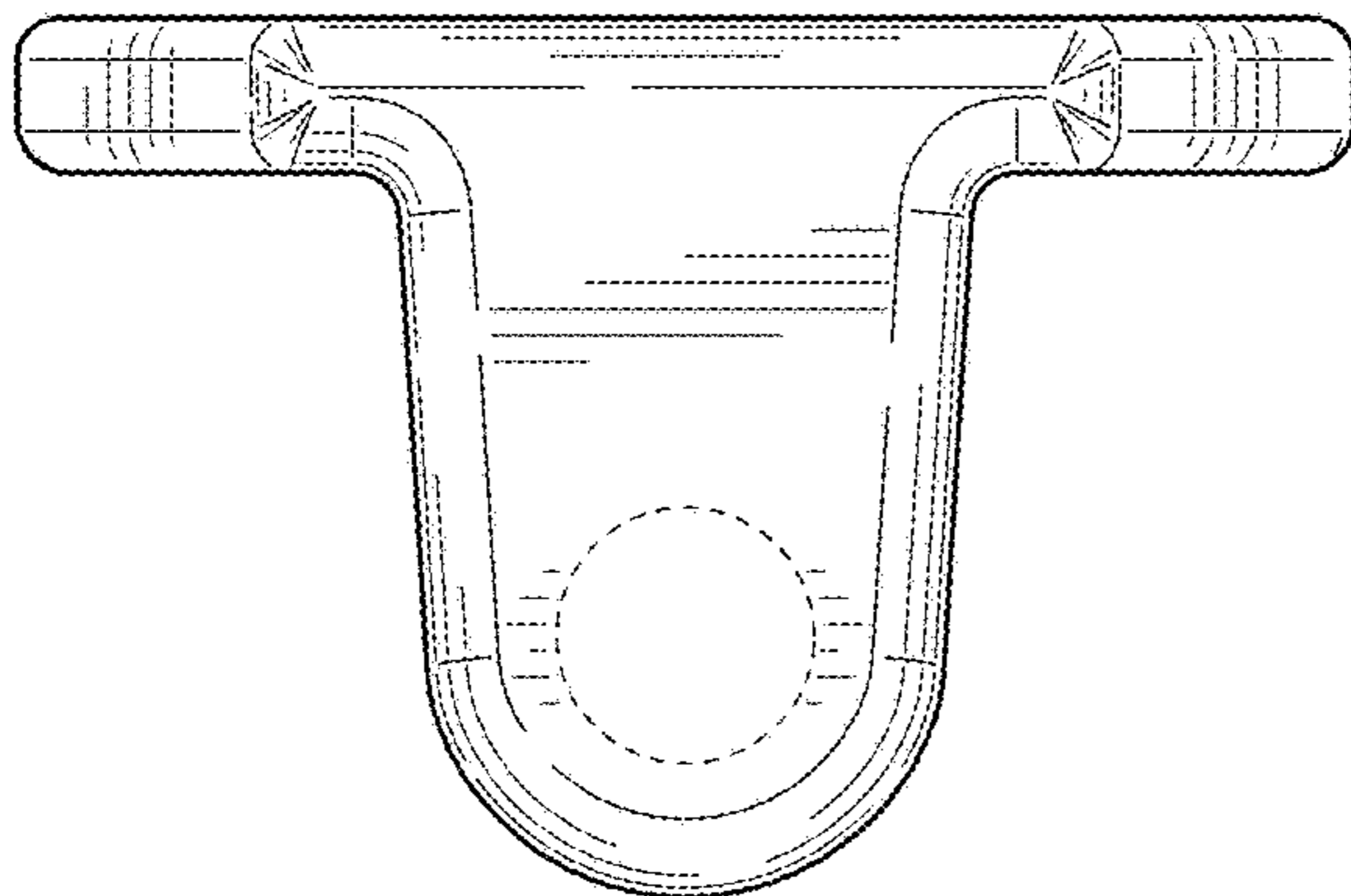


FIG. 6

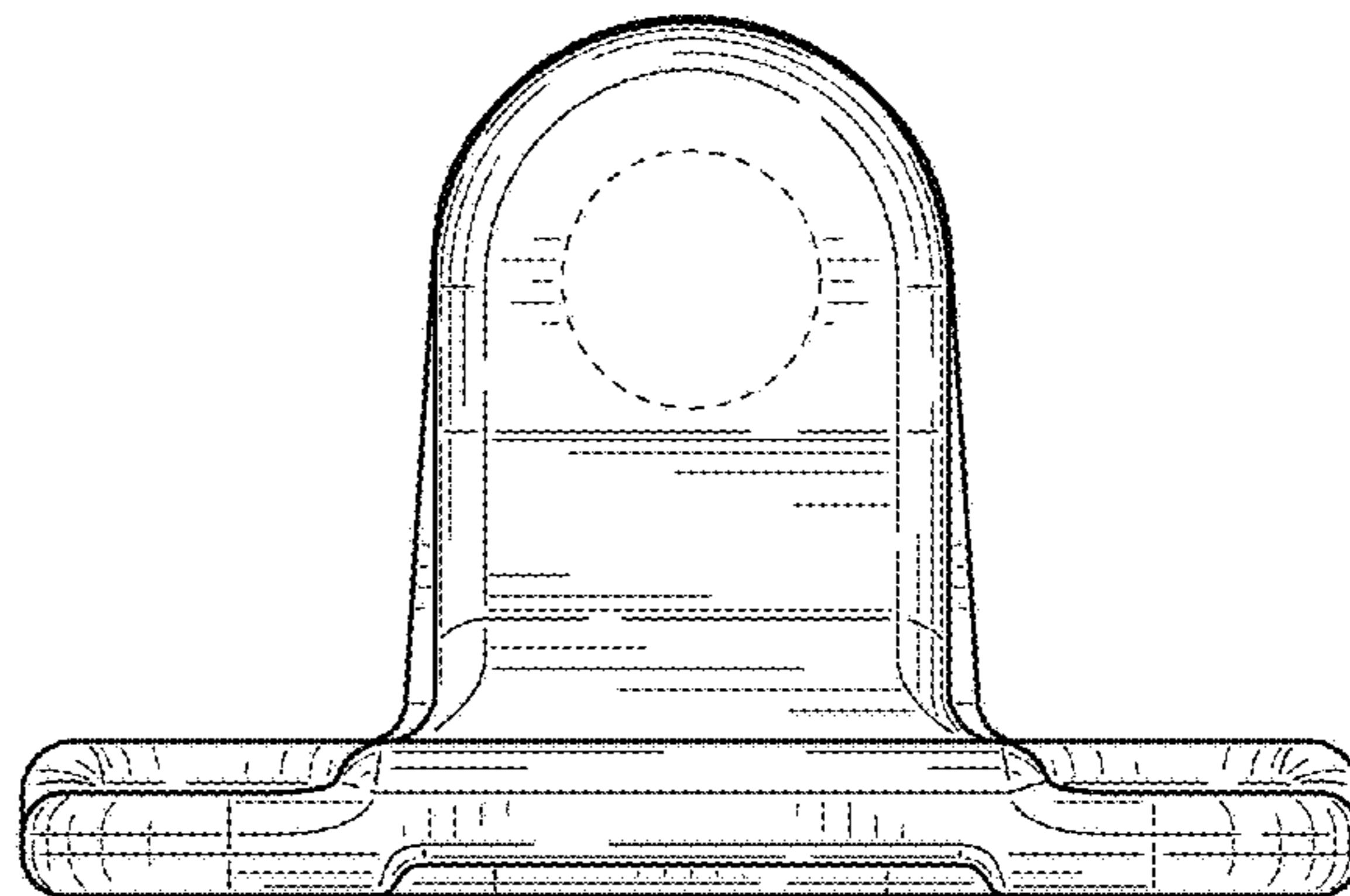


FIG. 7