



US00D840281S

(12) **United States Design Patent** (10) **Patent No.:** **US D840,281 S**
Brennan et al. (45) **Date of Patent:** **** Feb. 12, 2019**

(54) **CONTAINER BRACKET**
(71) Applicant: **Apex Coolers, LLC**, Dallas, TX (US)
(72) Inventors: **Sean Brennan**, Dallas, TX (US); **Craig A. Smith**, Argyle, TX (US)
(73) Assignee: **Apex Coolers, LLC**, Dallas, TX (US)
(**) Term: **15 Years**
(21) Appl. No.: **29/605,327**
(22) Filed: **May 25, 2017**
(51) **LOC (11) Cl.** **12-16**
(52) **U.S. Cl.**
USPC **D12/162**
(58) **Field of Classification Search**
USPC D12/162, 159, 160, 161, 203, 223, 400;
D8/354, 380; D19/34.1; D26/138
CPC B60D 1/02; B60D 1/52; B60D 1/345
See application file for complete search history.

7,967,320 B2 * 6/2011 Anderson B60D 1/345
280/405.1
D684,033 S * 6/2013 Preda D8/354
D699,549 S * 2/2014 Giessmann D8/380
D728,348 S * 5/2015 Munson D8/354
D730,719 S * 6/2015 Sundberg D8/354
D817,150 S * 5/2018 Nelson D8/354

* cited by examiner

Primary Examiner — Karen S Acker
Assistant Examiner — Jerry Shiuian-Hua Hsu
(74) *Attorney, Agent, or Firm* — Bell Nunnally & Martin LLP

(57) **CLAIM**

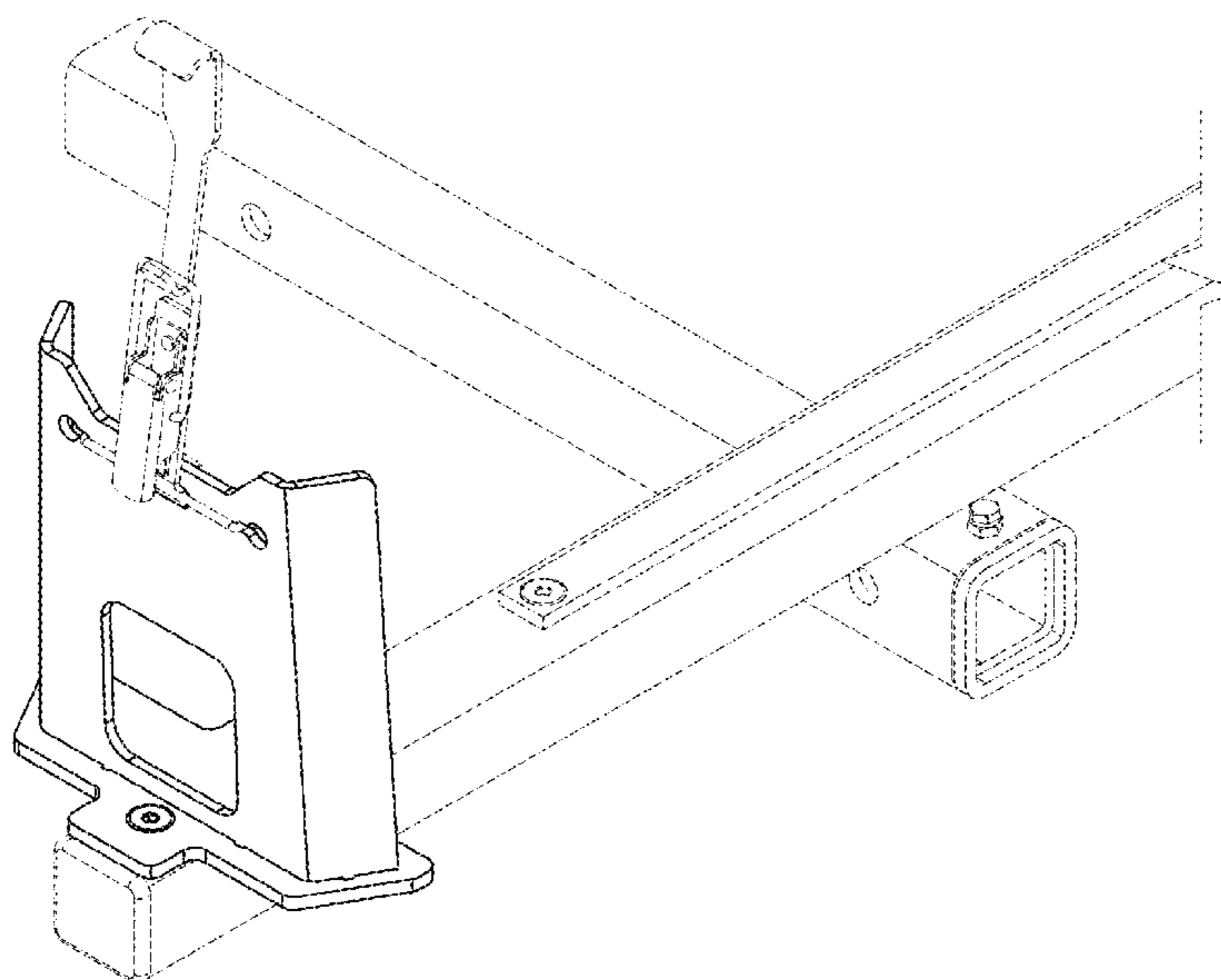
The ornamental design for a container bracket, as shown and described.

DESCRIPTION

FIG. 1 is a perspective view of a container bracket in accordance with our design, shown in environmental use; FIG. 2 is a partial perspective view thereof, shown in environmental use; FIG. 3 is a right side view thereof; FIG. 4 is a left side view thereof; FIG. 5 is a top plan view thereof; FIG. 6 is a bottom plan view thereof; FIG. 7 is a front view thereof; and, FIG. 8 is a back view thereof. The broken lines in FIGS. 1 and 2 illustrate environmental matter that forms no part of the claimed design.

1 Claim, 5 Drawing Sheets

(56) **References Cited**
U.S. PATENT DOCUMENTS
D233,662 S * 11/1974 Brown D12/162
D264,577 S * 5/1982 Neilson D12/162
D330,503 S * 10/1992 Rana D19/34.1
D442,471 S * 5/2001 Willett D8/354
7,467,804 B2 * 12/2008 Ezra B60D 1/52
280/506
D596,539 S * 7/2009 Ezra D12/162
D612,775 S * 3/2010 Davis D12/162



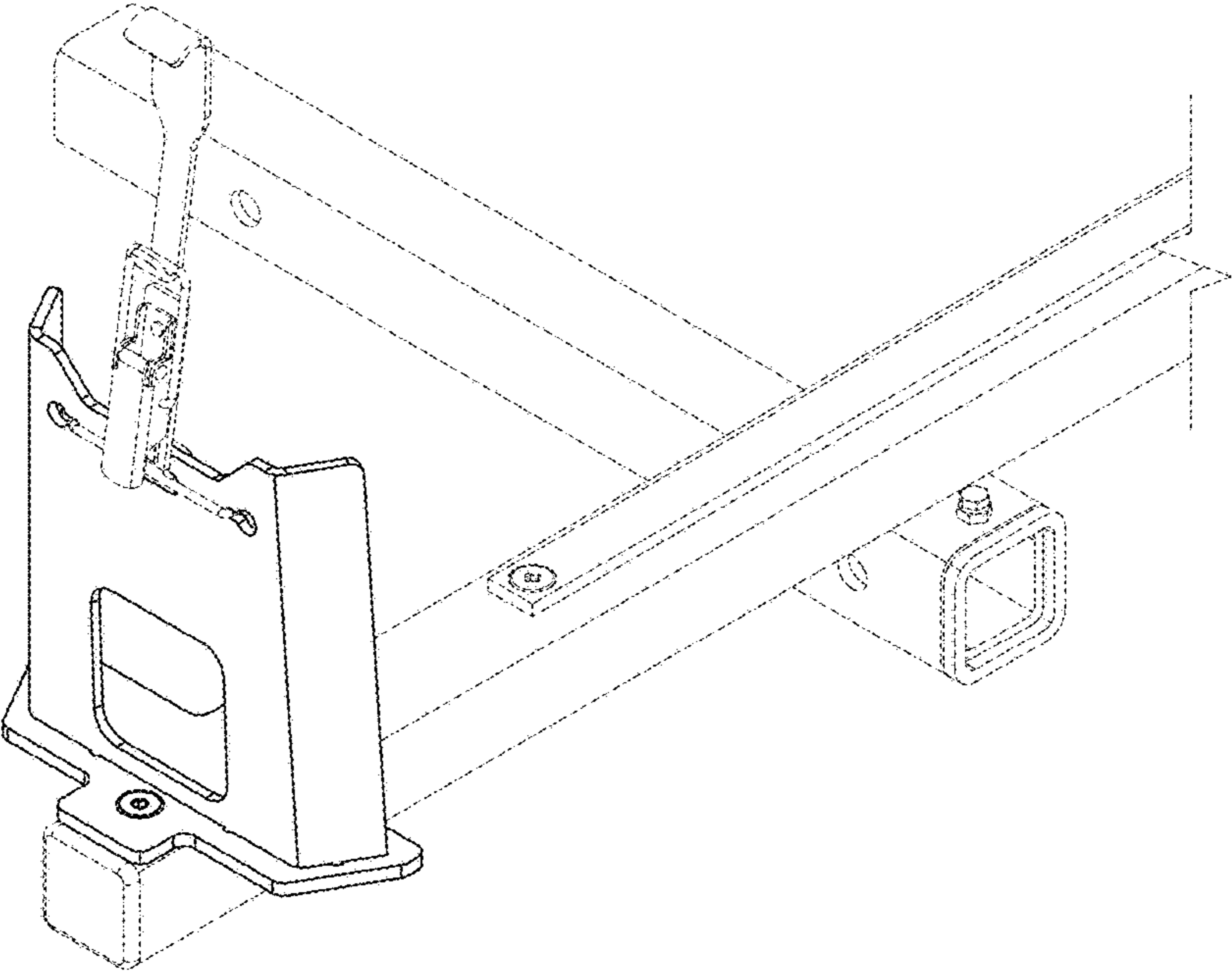


FIG. 1

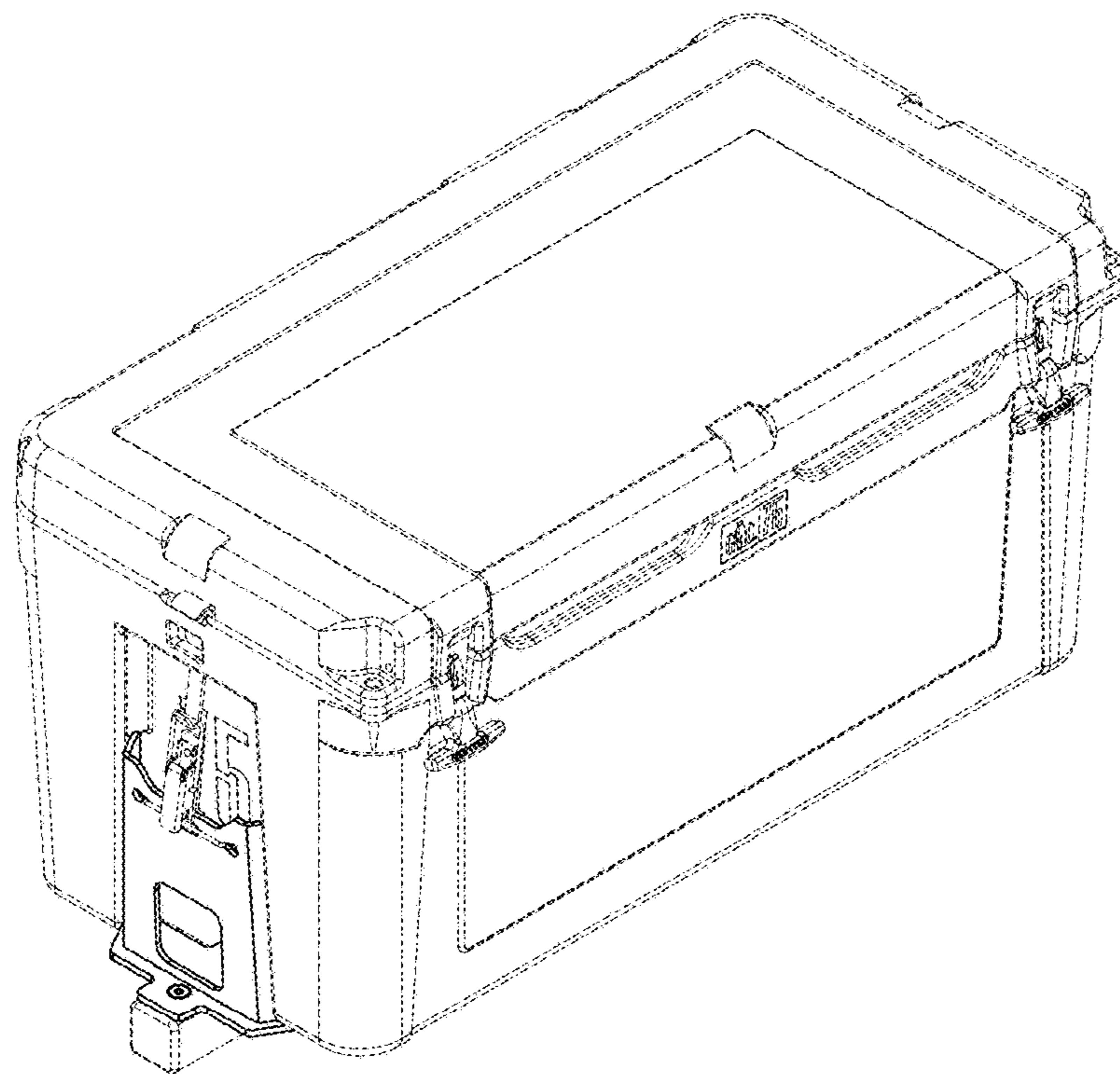


FIG. 2

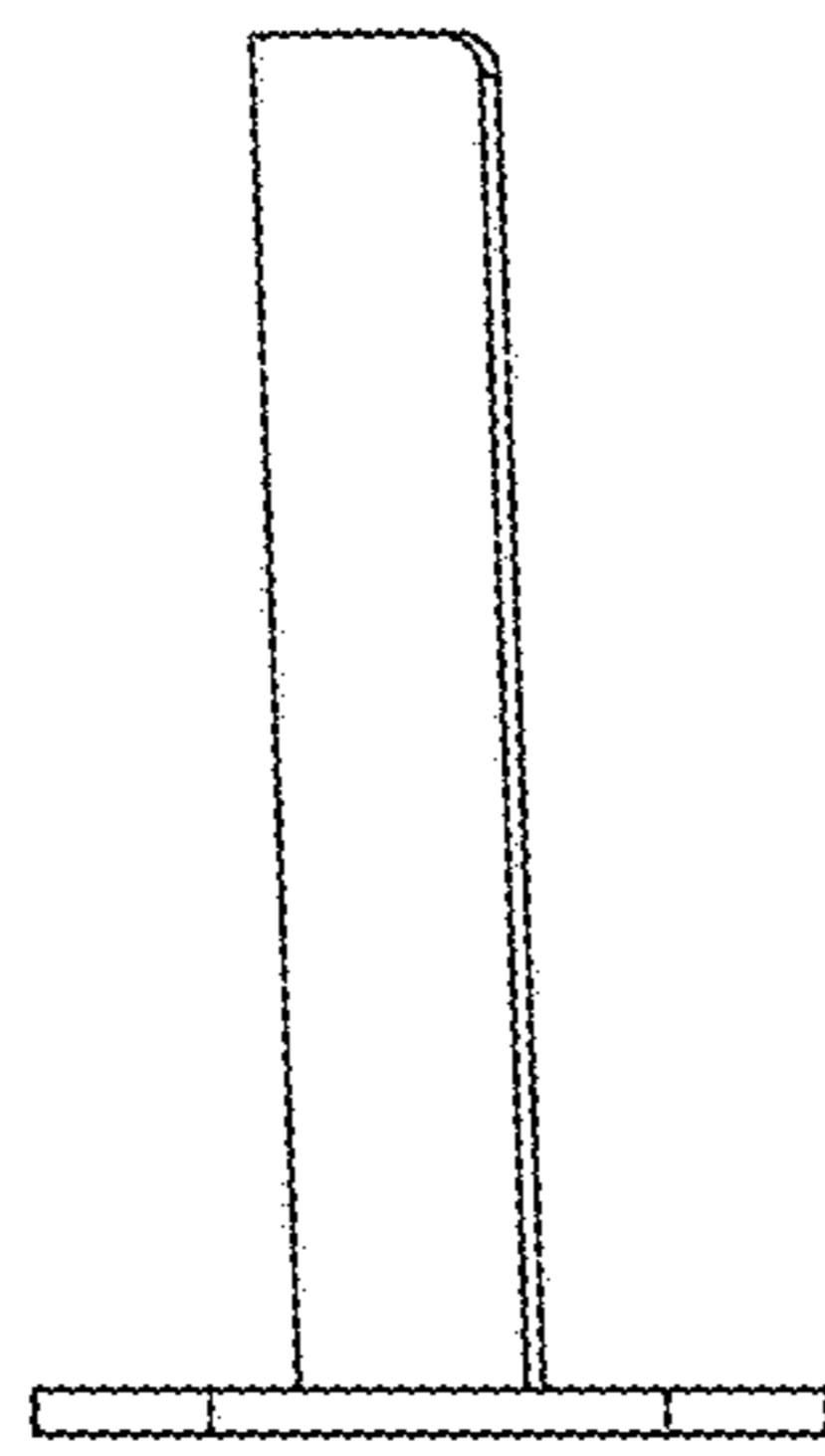


FIG. 3

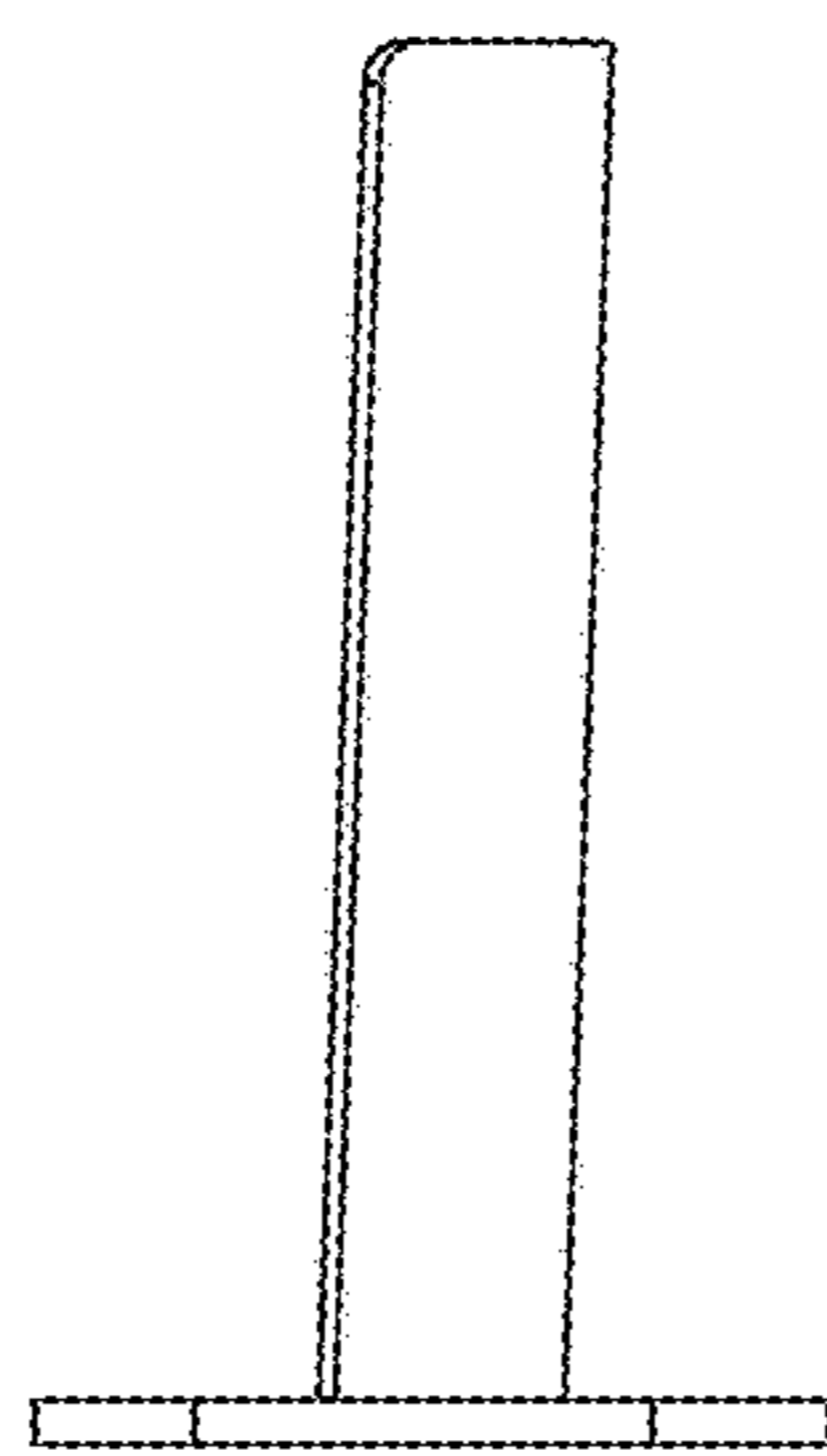


FIG. 4

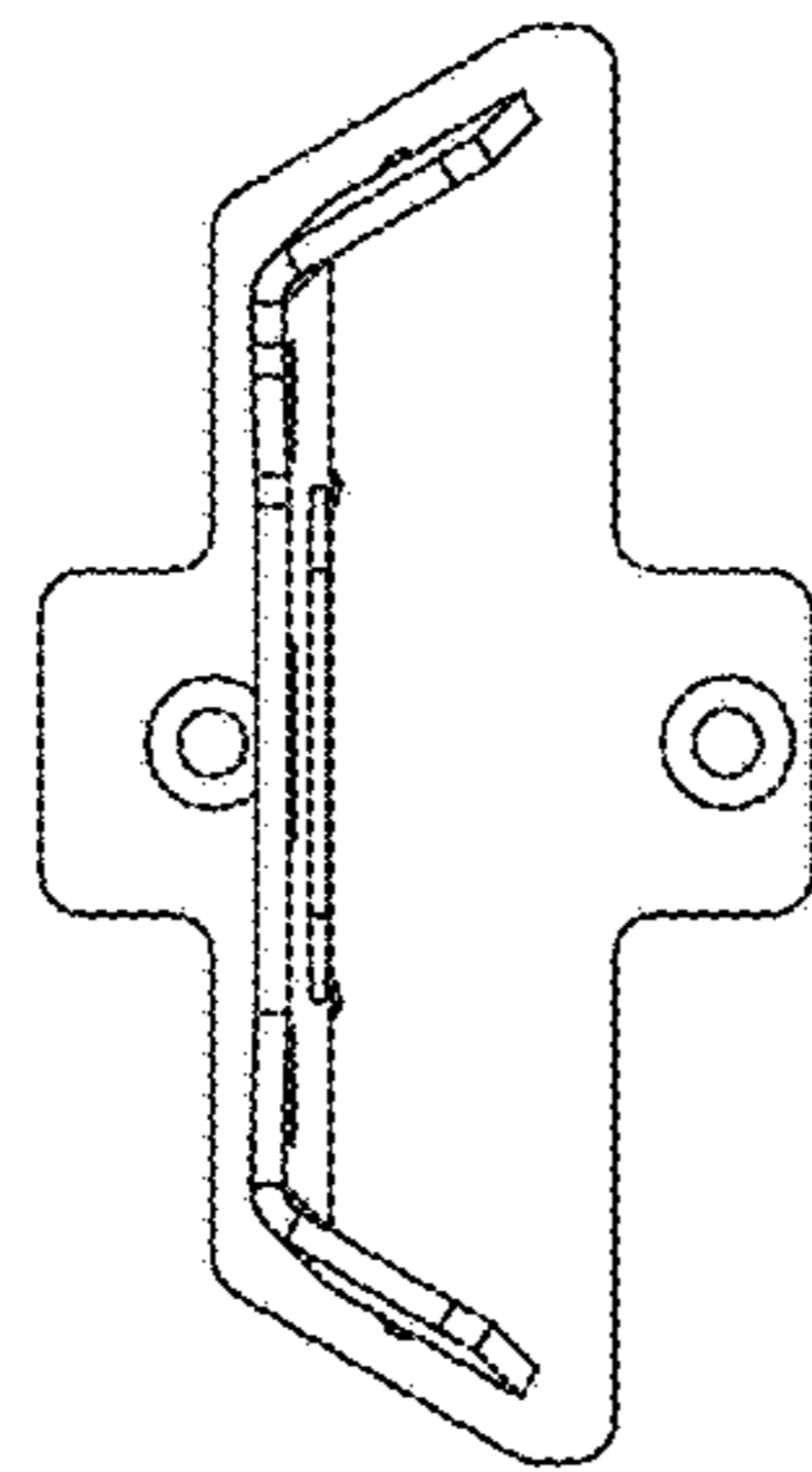


FIG. 5

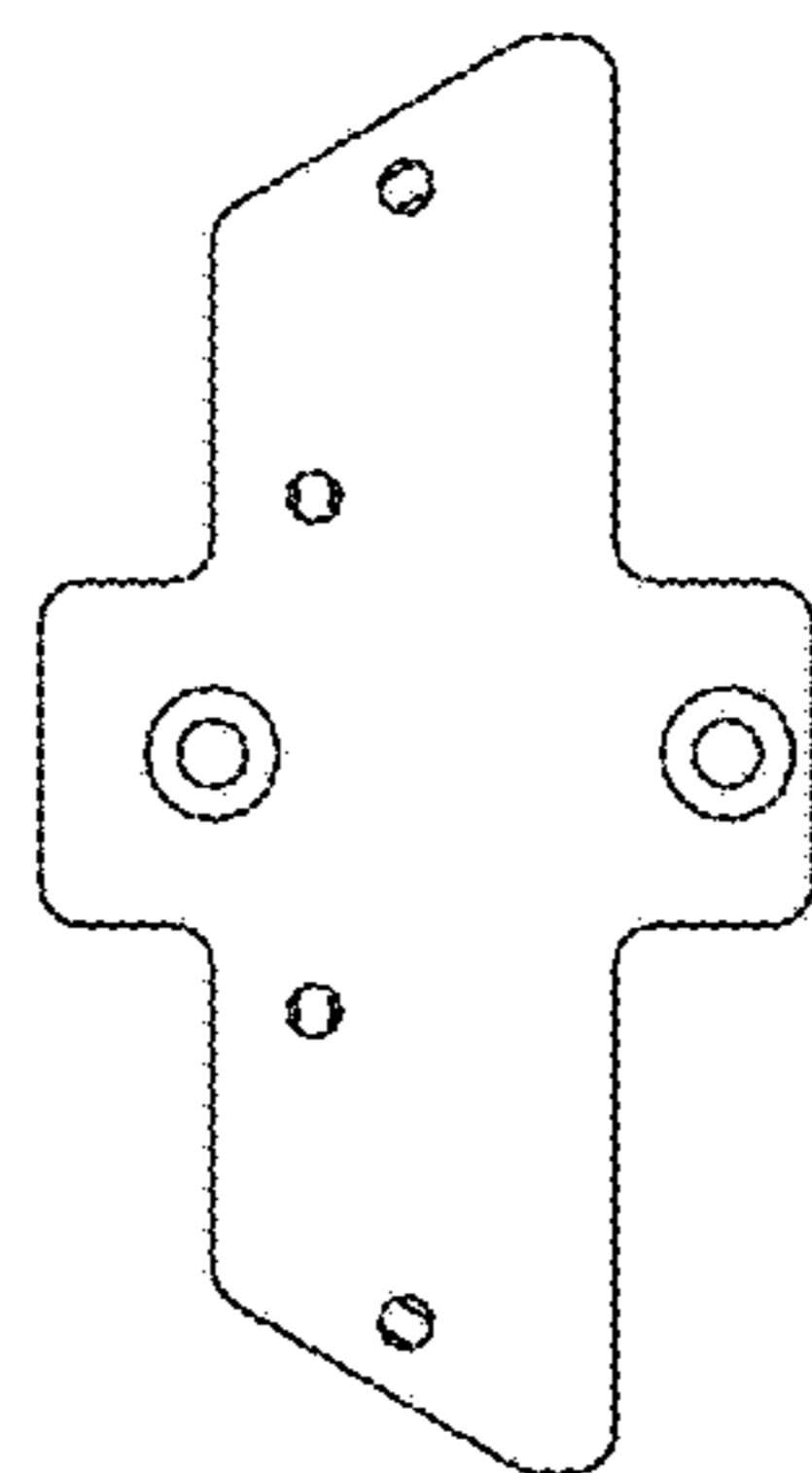


FIG. 6

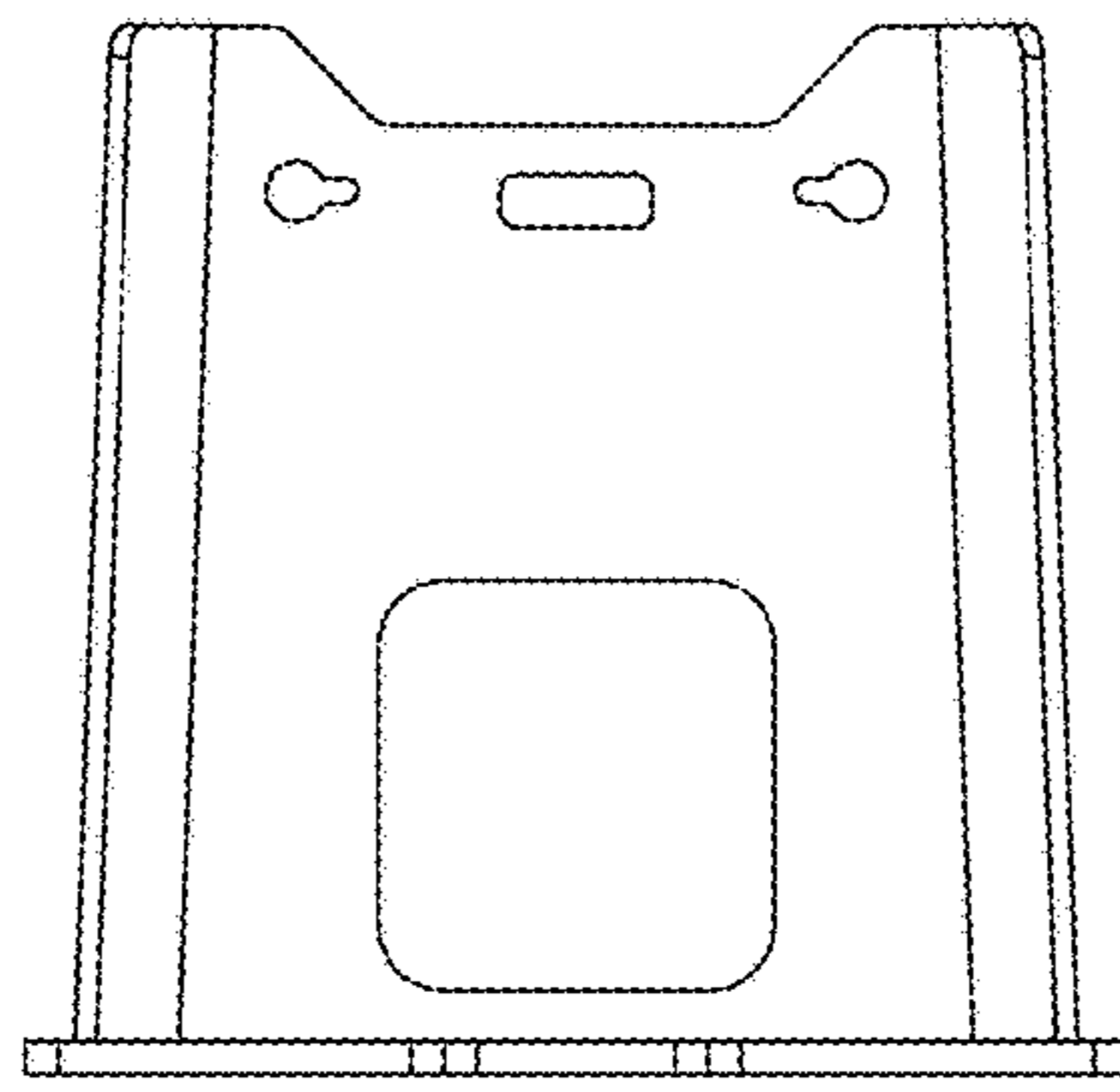


FIG. 7

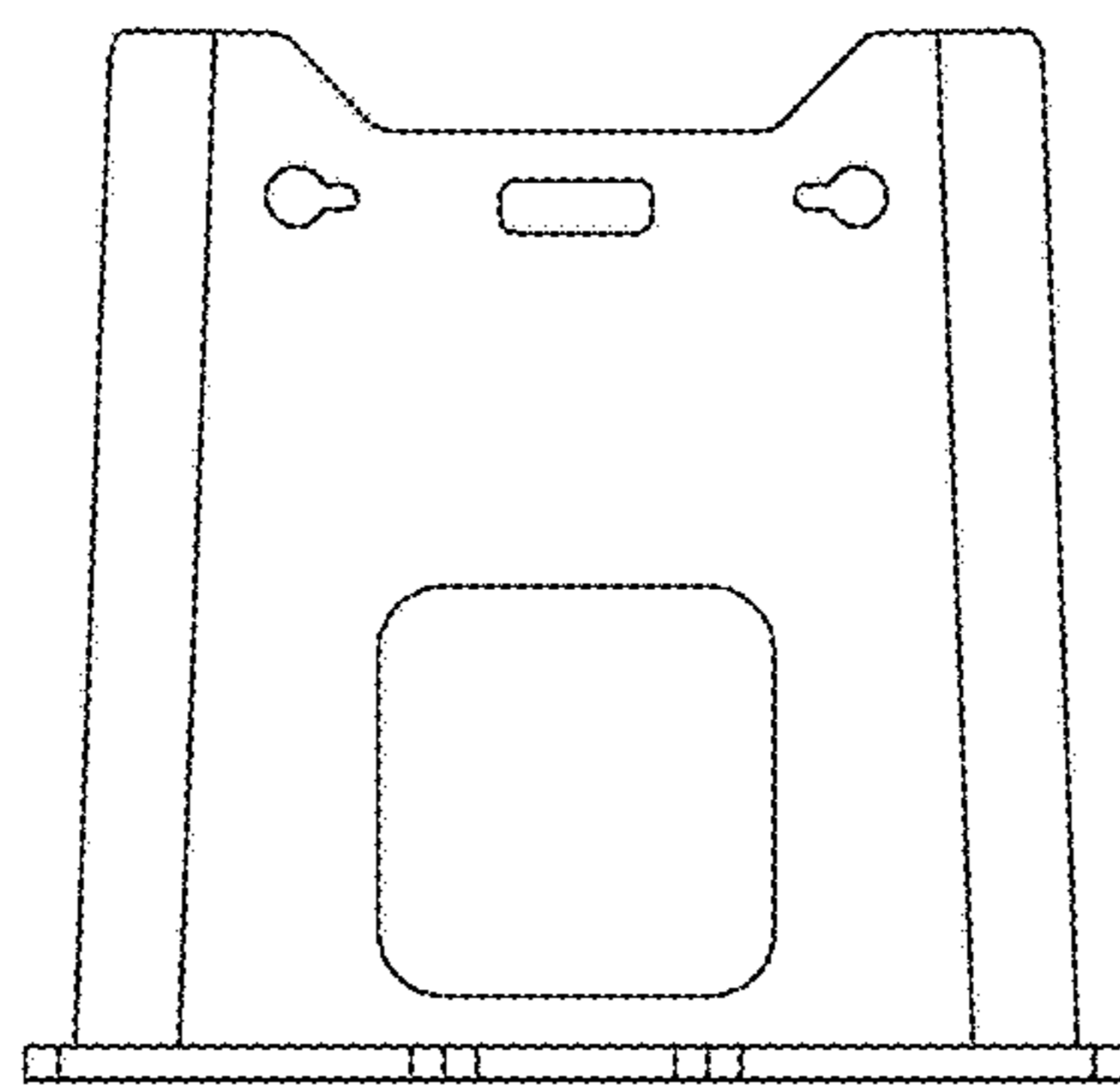


FIG. 8