



US00D840279S

(12) **United States Design Patent**
Tako et al.

(10) **Patent No.:** **US D840,279 S**
(45) **Date of Patent:** **** Feb. 12, 2019**

(54) **SIDE COVER FOR MOTORCYCLE**

(71) Applicant: **HONDA MOTOR CO., LTD.**, Tokyo (JP)

(72) Inventors: **Kenji Tako**, Wako (JP); **Hiroyuki Miyazaki**, Wako (JP)

(73) Assignee: **HONDA MOTOR CO., LTD.**, Tokyo (JP)

(**) Term: **15 Years**

(21) Appl. No.: **29/618,121**

(22) Filed: **Sep. 19, 2017**

(30) **Foreign Application Priority Data**

Mar. 24, 2017 (JP) 2017-006085

(51) **LOC (11) Cl.** **12-11**

(52) **U.S. Cl.**
USPC **D12/126; D12/114**

(58) **Field of Classification Search**
USPC D12/110, 114, 126, 182, 184, 186
CPC ... B62J 17/00; B62J 17/02; B62J 17/04; B62J 23/00; B62K 11/00; B62K 11/02; B62K 11/04

See application file for complete search history.

(56) **References Cited**

U.S. PATENT DOCUMENTS

| | | | | |
|--------------|---------|-----------|-------|---------|
| D485,216 S * | 1/2004 | Yamamoto | | D12/126 |
| D522,415 S * | 6/2006 | Tanaka | | D12/126 |
| D557,639 S * | 12/2007 | Xu | | D12/126 |
| D573,066 S * | 7/2008 | Ichikawa | | D12/107 |
| D584,662 S * | 1/2009 | Ichihara | | D12/126 |
| D655,649 S * | 3/2012 | Kudo | | D12/126 |
| D660,201 S * | 5/2012 | Matsuoka | | D12/126 |
| D660,202 S * | 5/2012 | Petersson | | D12/126 |
| D674,323 S * | 1/2013 | Tokumura | | D12/126 |

| | | | | |
|--------------|---------|-----------|-------|---------|
| D683,274 S * | 5/2013 | Yanagita | | D12/126 |
| D683,275 S * | 5/2013 | Yanagita | | D12/126 |
| D684,506 S * | 6/2013 | Kobayashi | | D12/126 |
| D689,411 S * | 9/2013 | Tsukui | | D12/126 |
| D689,800 S * | 9/2013 | Futamata | | D12/126 |
| D690,625 S * | 10/2013 | Futamata | | D12/126 |
| D690,627 S * | 10/2013 | Tsukui | | D12/126 |
| D694,157 S * | 11/2013 | Katagiri | | D12/126 |
| D695,157 S * | 12/2013 | Tsukui | | D12/126 |
| D696,161 S * | 12/2013 | Yamazaki | | D12/126 |
| D712,314 S * | 9/2014 | Katagiri | | D12/114 |
| D733,011 S * | 6/2015 | Nishimoto | | D12/126 |
| D748,017 S * | 1/2016 | Yoshitomi | | D12/114 |
| D776,017 S * | 1/2017 | Takigawa | | D12/114 |
| D782,369 S * | 3/2017 | Fujimoto | | D12/114 |
| D786,141 S * | 5/2017 | Tachibana | | D12/114 |
| D795,750 S * | 8/2017 | Futamata | | D12/114 |

(Continued)

Primary Examiner — Darlington Ly

(74) *Attorney, Agent, or Firm* — Birch, Stewart, Kolasch & Birch, LLP

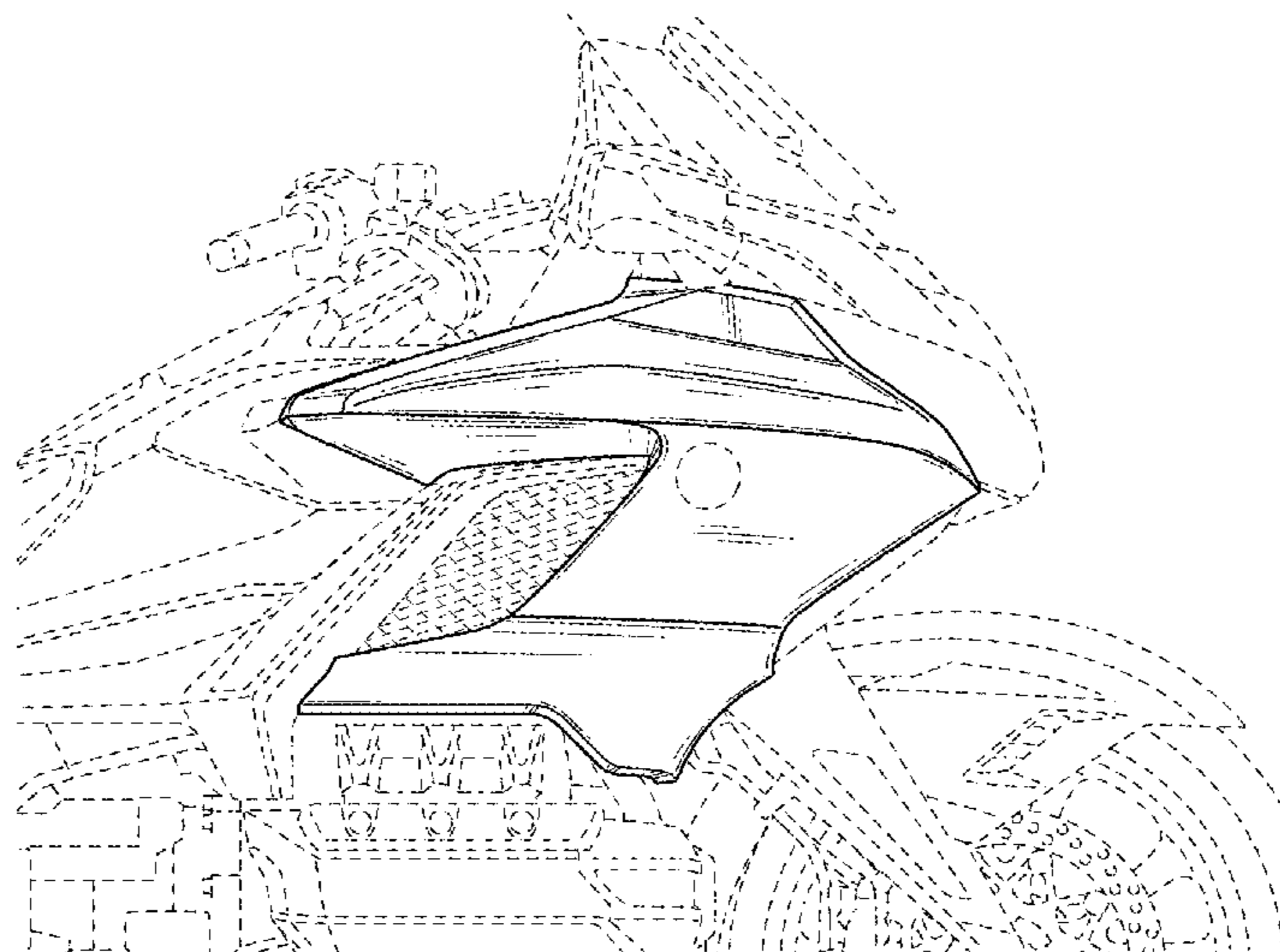
(57) **CLAIM**

The ornamental design for a cover for motorcycle, as shown and described.

DESCRIPTION

FIG. 1 is a front and right side perspective view of a side cover for motorcycle showing our new design; FIG. 2 is a front and left side perspective view thereof; FIG. 3 is a front elevation view thereof; FIG. 4 is a right side elevation view thereof; FIG. 5 is a left side elevation view thereof; FIG. 6 is a top plan view thereof; FIG. 7 is a bottom plan view thereof; and, FIG. 8 is a front elevation view thereof as installed on an exemplary motorcycle. The broken lines in the drawings illustrate portions of the side cover for motorcycle and environmental structures that form no part of the claimed design.

1 Claim, 8 Drawing Sheets



(56)

References Cited

U.S. PATENT DOCUMENTS

D803,105 S * 11/2017 Tsuji D12/126
D803,107 S * 11/2017 Petersson D12/126
2009/0108630 A1* 4/2009 Nakao B62J 17/00
296/192
2011/0233956 A1* 9/2011 Okubo B62J 17/00
296/78.1
2014/0092613 A1* 4/2014 Maeda F02M 35/10013
362/476

* cited by examiner

FIG. 1

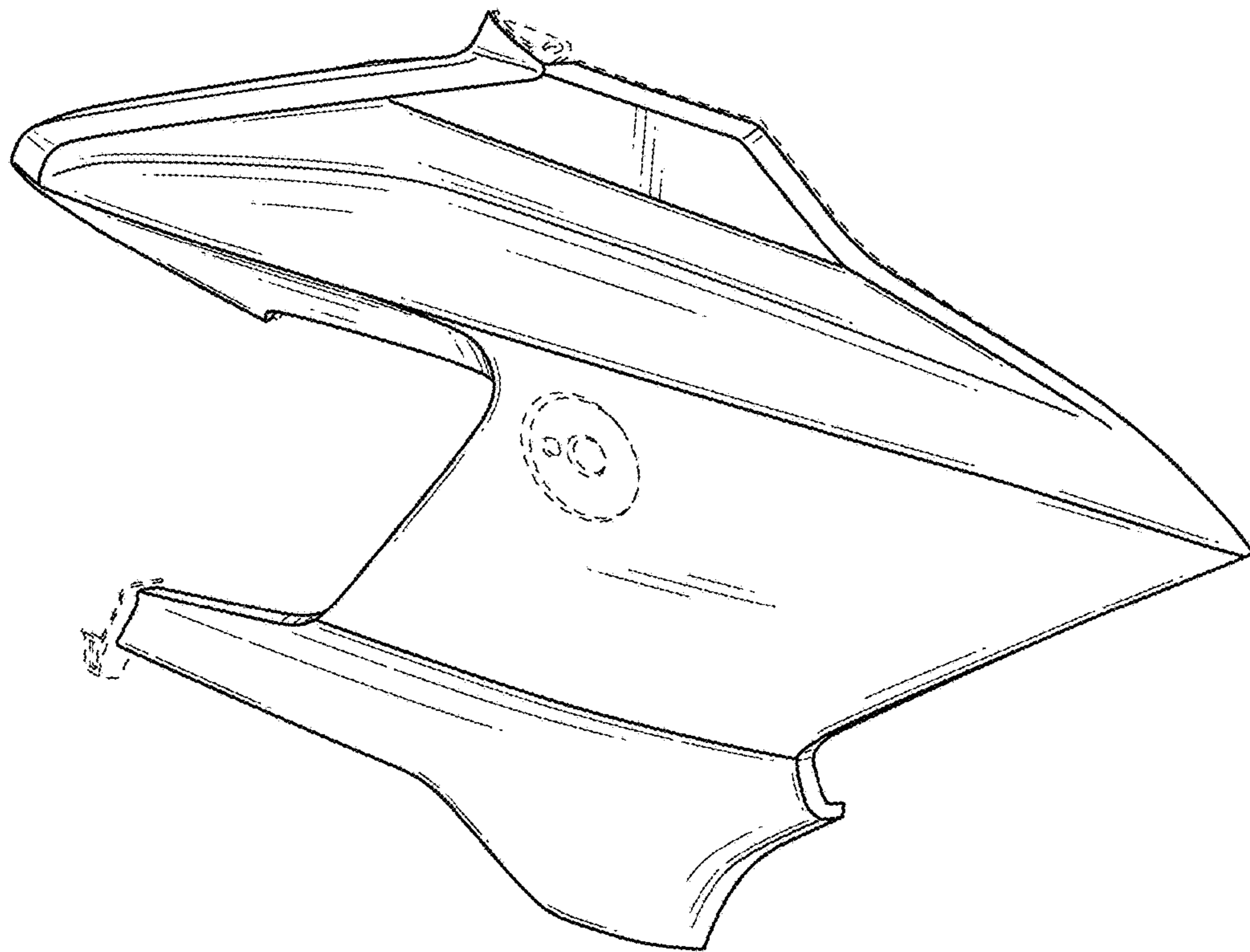


FIG. 2

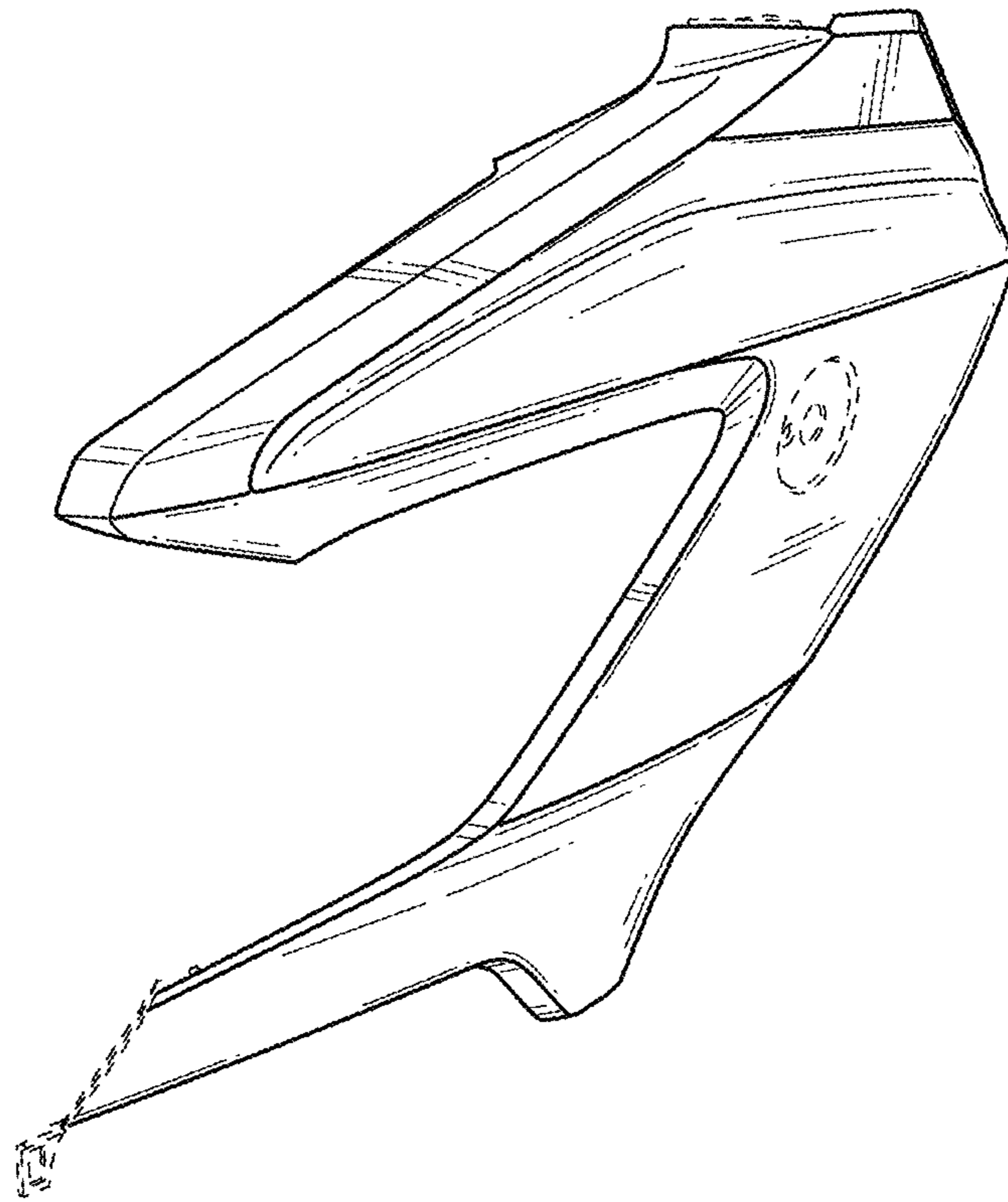


FIG. 3

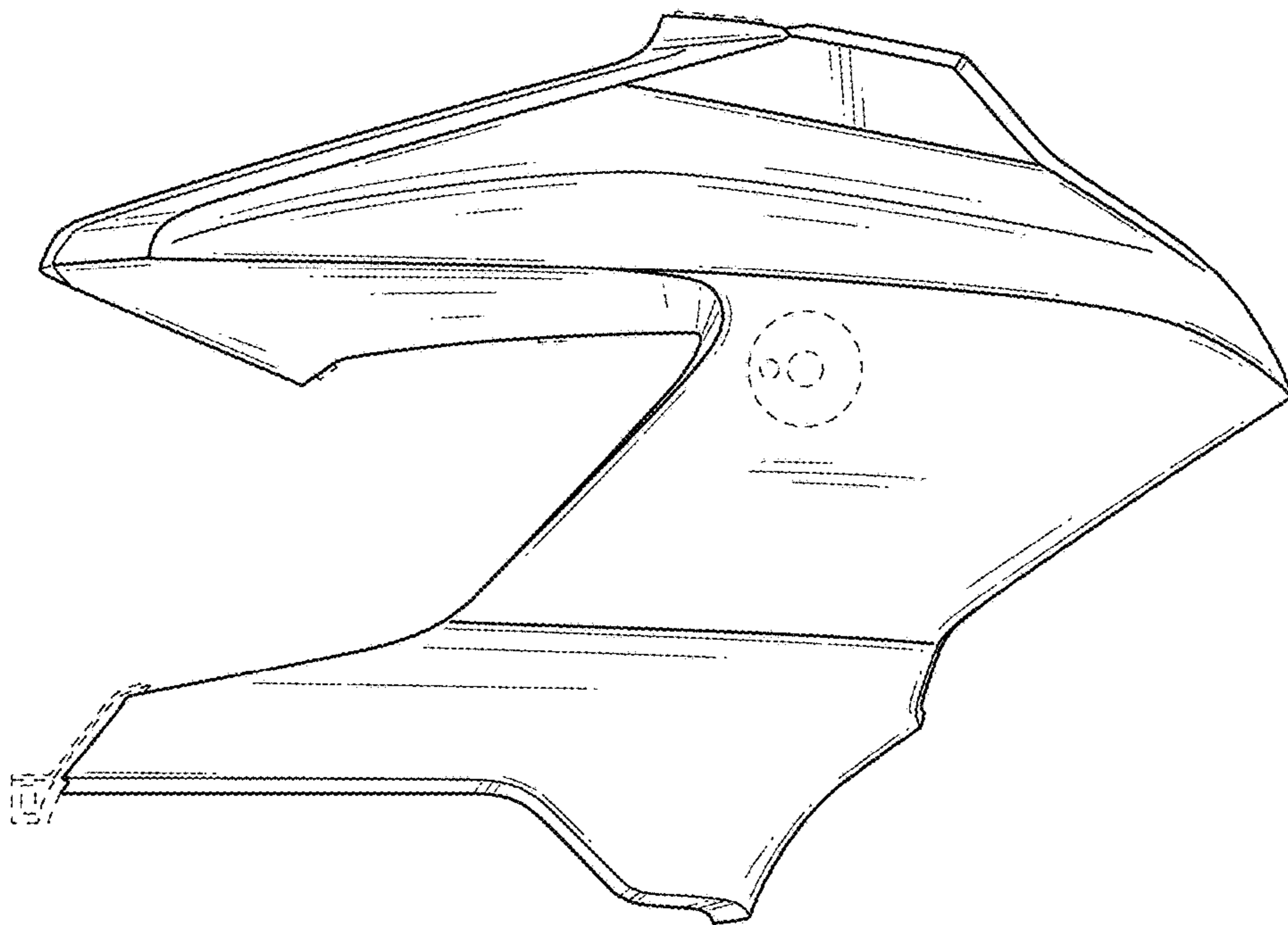


FIG. 4

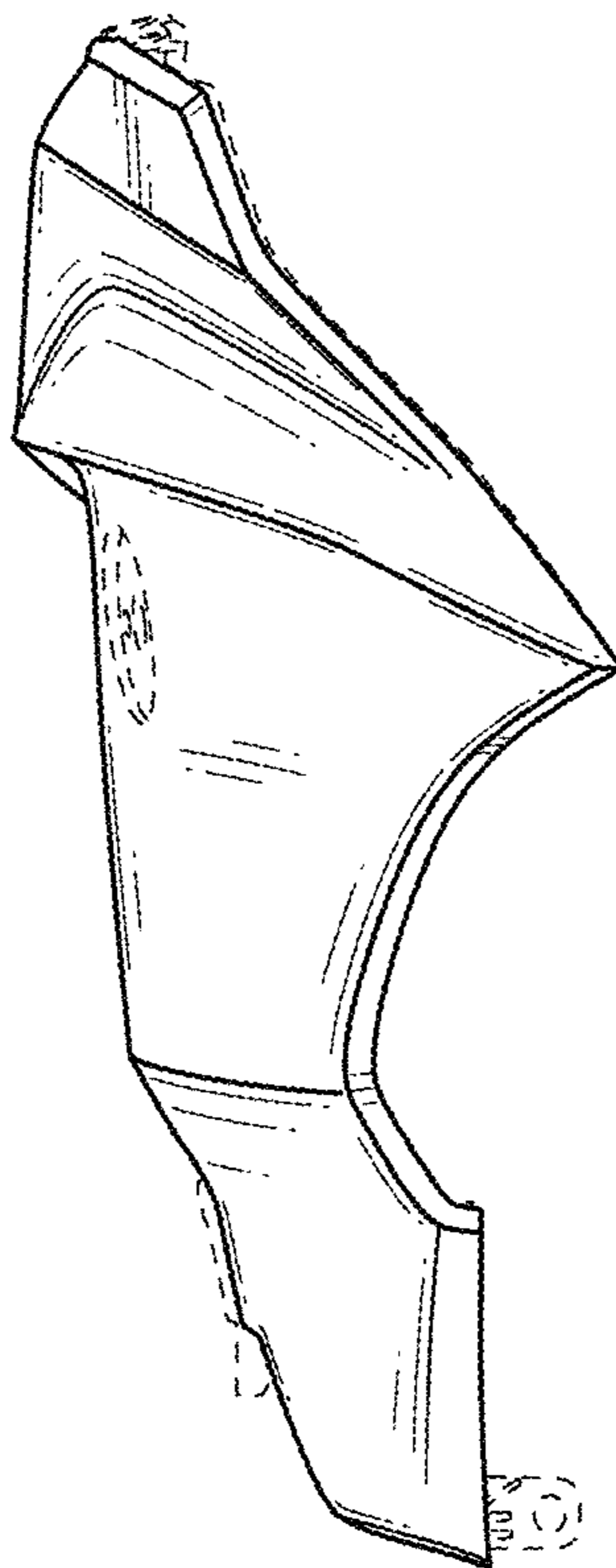


FIG. 5

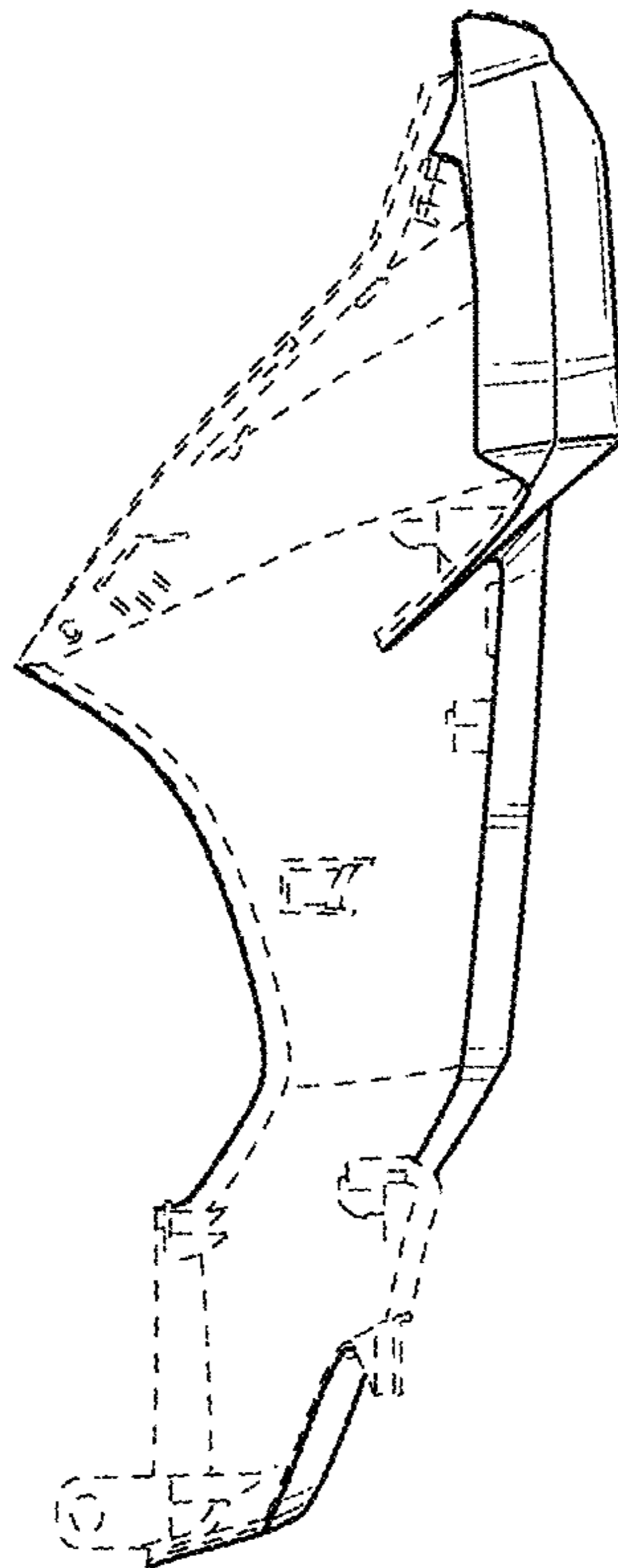


FIG. 6

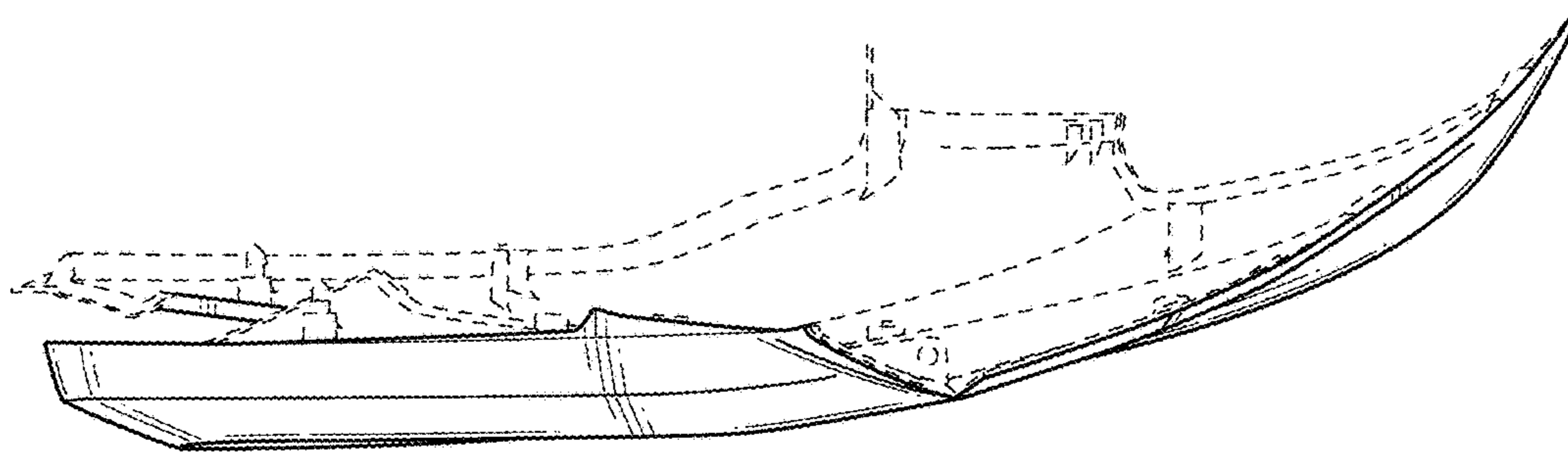


FIG. 7

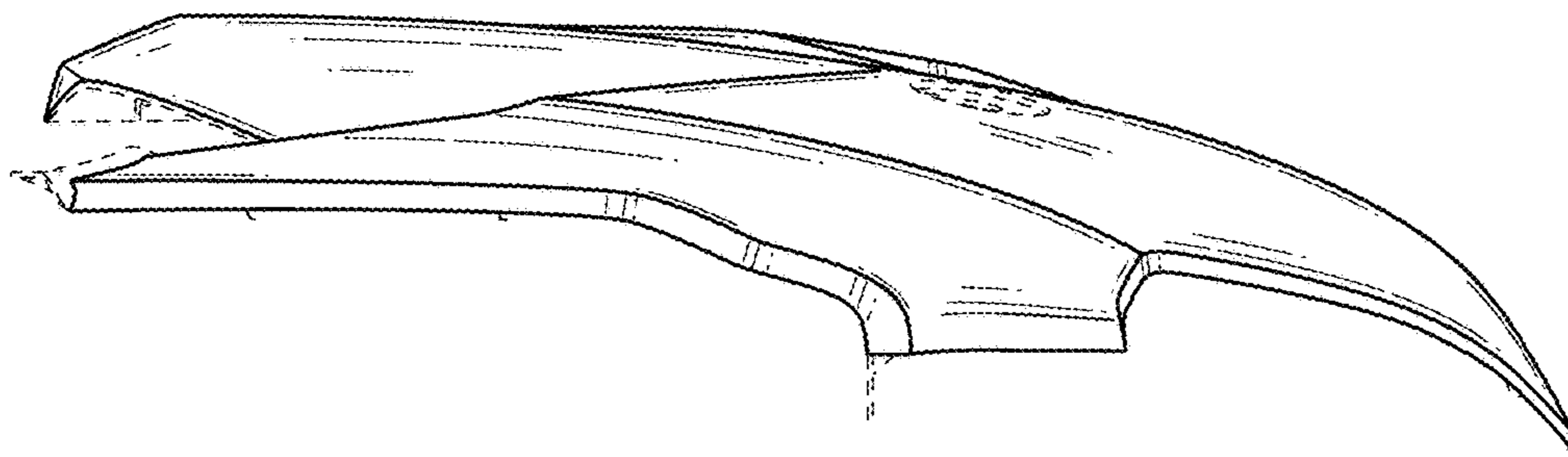


FIG. 8

