



US00D840276S

(12) **United States Design Patent** (10) **Patent No.:** **US D840,276 S**
Moore (45) **Date of Patent:** **** Feb. 12, 2019**

(54) **MOBILE CART**

D826,786 S * 8/2018 Denton, III D12/101

* cited by examiner

(71) Applicant: **Richard I. Moore**, Blue Bell, PA (US)

Primary Examiner — Cynthia Ramirez

(72) Inventor: **Richard I. Moore**, Blue Bell, PA (US)

(74) *Attorney, Agent, or Firm* — Panitch Schwarze
Belisario & Nadel LLP

(**) Term: **15 Years**

(57) **CLAIM**

(21) Appl. No.: **29/602,880**

The ornamental design for a mobile cart, as shown and described.

(22) Filed: **May 4, 2017**

DESCRIPTION

(51) **LOC (11) Cl.** **12-10**

(52) **U.S. Cl.**
USPC **D12/101**

(58) **Field of Classification Search**
USPC D12/101, 93, 94, 95, 96, 97, 98, 99, 100
CPC .. B60P 1/56; B60P 3/222; B60P 3/224; B62D
21/20
See application file for complete search history.

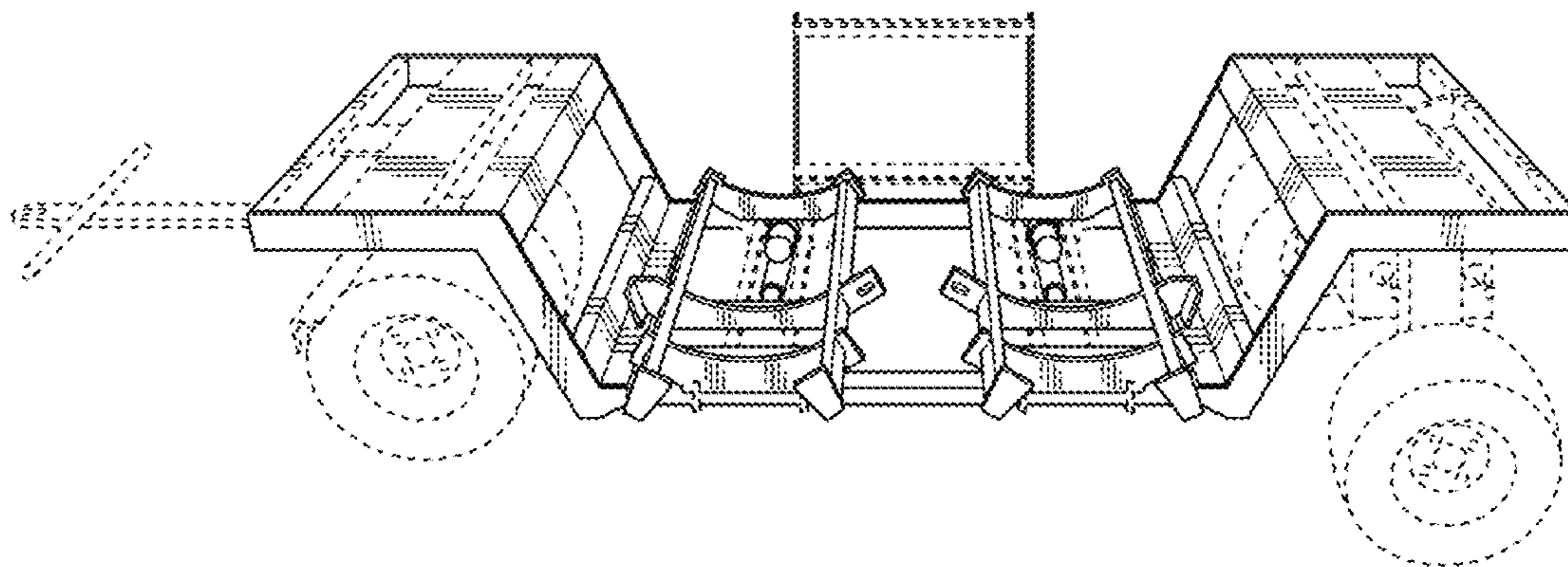
FIG. 1 is a top and left side perspective view of a mobile cart, with movable carriers thereof in a first position, in accordance with a first embodiment of my new design; FIG. 2 is a left side elevational view thereof; FIG. 3 is a right side elevational view thereof; FIG. 4 is a front elevational view thereof; FIG. 5 is a rear elevational view thereof; FIG. 6 is a top plan view thereof; FIG. 7 is a top and left side perspective view of the mobile cart, with the movable carriers thereof in a second position; FIG. 8 is a top and left side perspective view of a mobile cart, with movable carriers thereof in a first position, in accordance with a second embodiment of my new design; FIG. 9 is a left side elevational view thereof; FIG. 10 is a right side elevational view thereof; FIG. 11 is a front elevational view thereof; FIG. 12 is a rear elevational view thereof; FIG. 13 is a top plan view thereof; and, FIG. 14 is a top and left side perspective view of the mobile cart, with the movable carriers thereof in a second position. The broken lines in the figures are for the purpose of showing environmental structure and form no part of the claimed design.

(56) **References Cited**

U.S. PATENT DOCUMENTS

D223,818 S *	6/1972	Shimoji	D12/101
D263,942 S *	4/1982	Francis	D12/101
4,365,841 A *	12/1982	McLaughlin	B60P 1/56
				105/282.1
D336,870 S *	6/1993	Thacker	D12/101
5,800,117 A *	9/1998	Milton	B66C 23/48
				254/4 R
5,957,538 A *	9/1999	Sullivan	B60P 1/56
				298/17.5
D619,933 S *	7/2010	McIntosh	D12/101
8,967,727 B2 *	3/2015	Van Mill	B60P 1/56
				298/7
9,567,023 B2 *	2/2017	Hall	B60P 1/6409
RE46,590 E *	10/2017	Oren	D12/101
9,937,958 B2 *	4/2018	Gibson	B62D 21/20
D826,507 S *	8/2018	Wernberg	D34/12

1 Claim, 10 Drawing Sheets



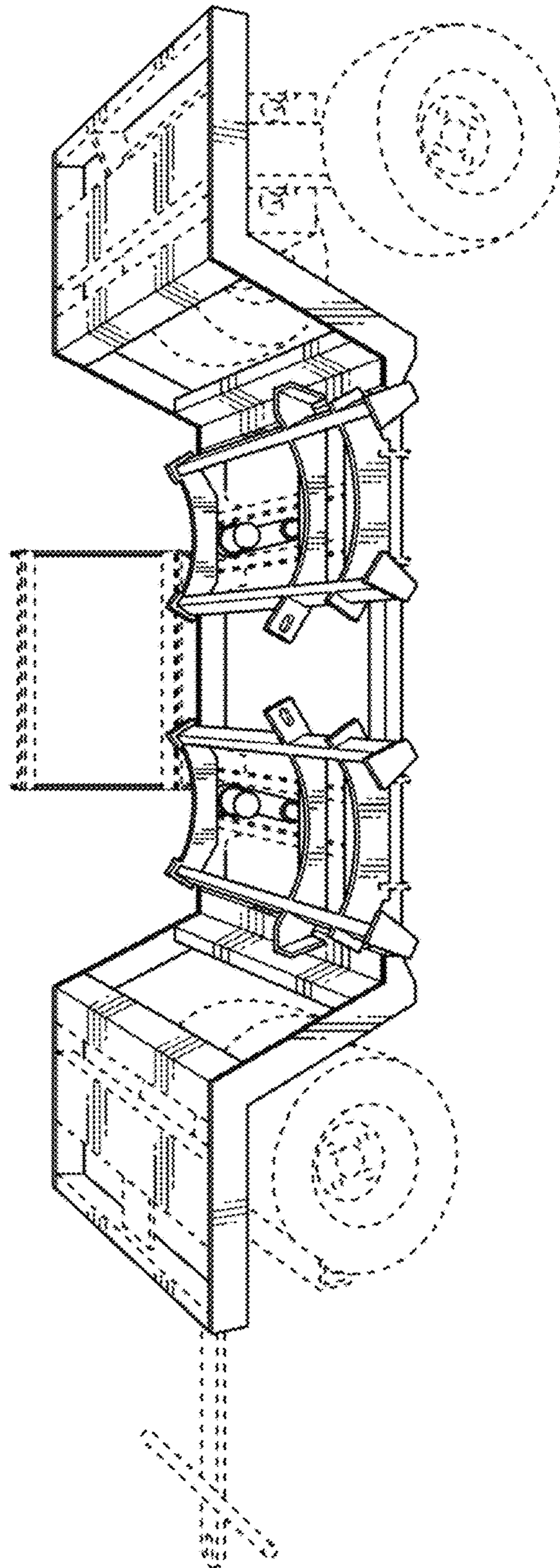


FIG. 1

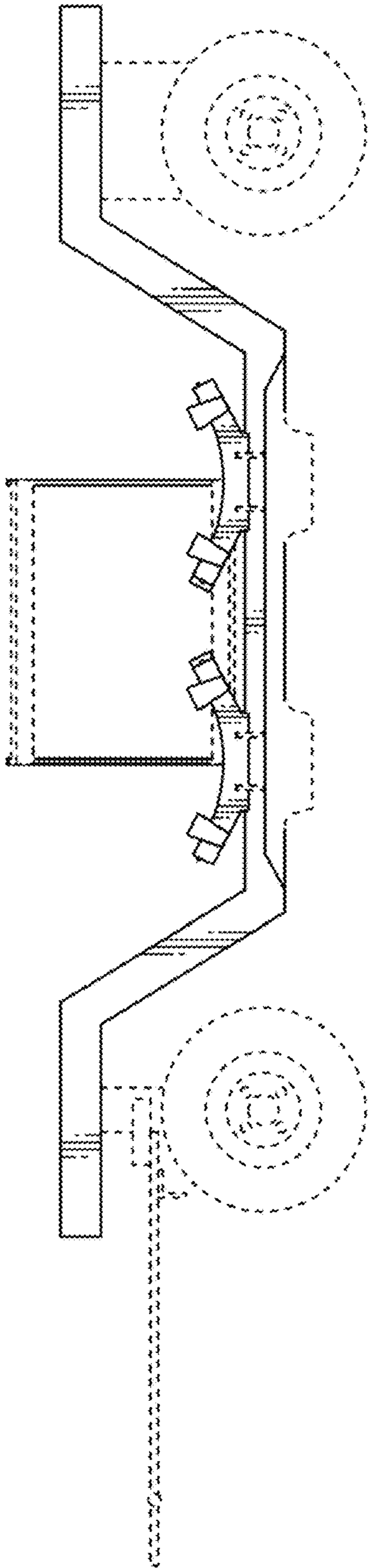


FIG. 2

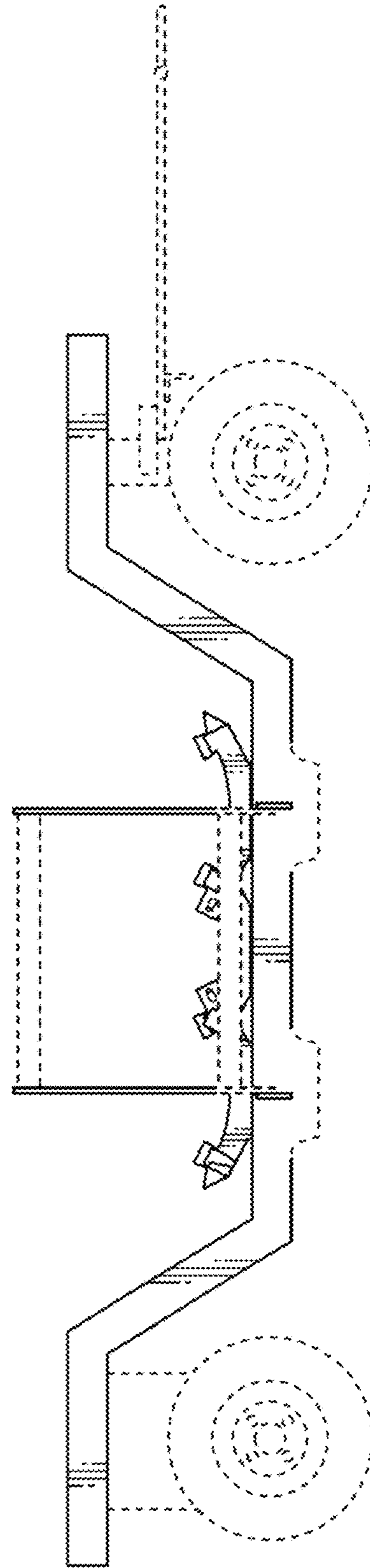


FIG. 3

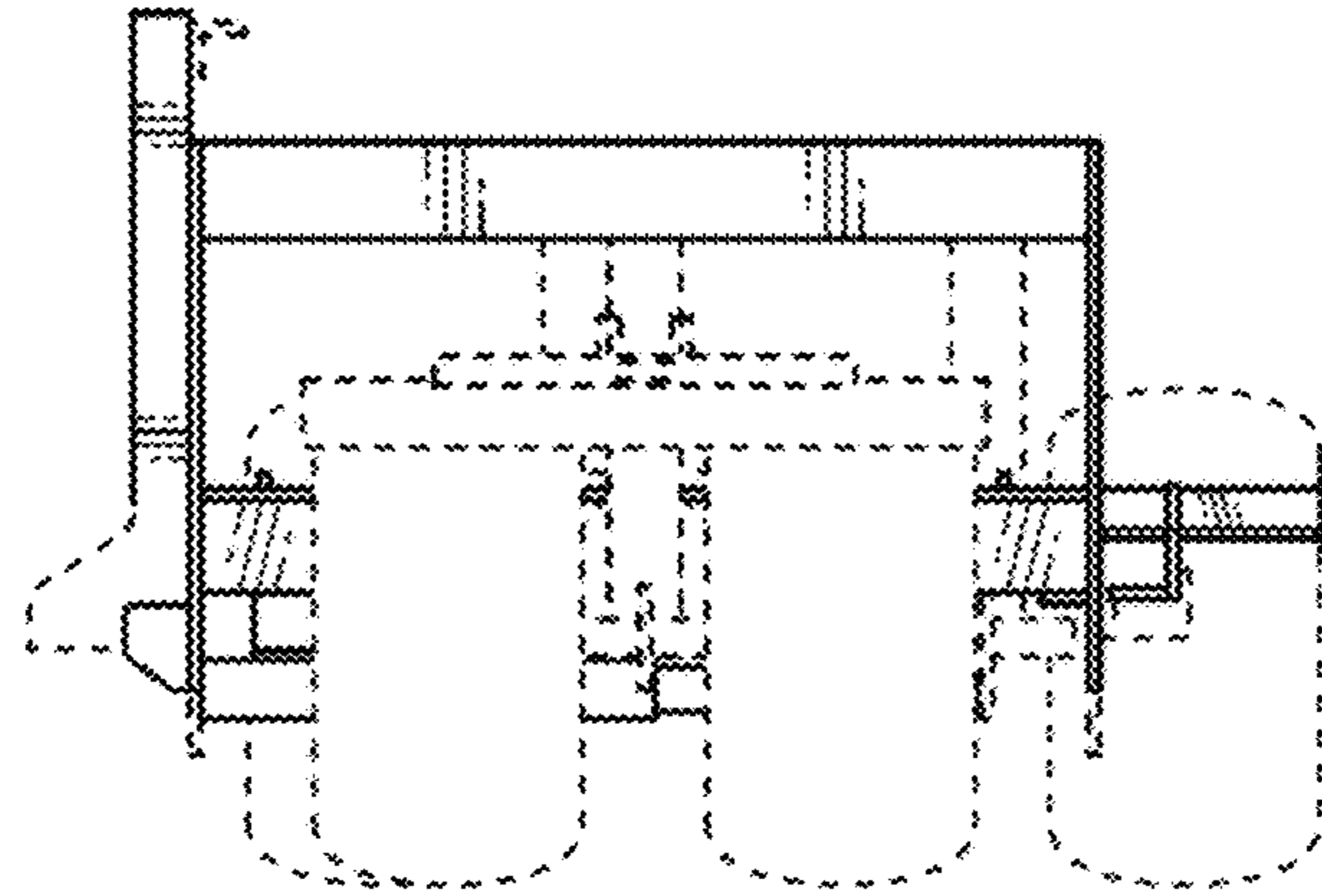


FIG. 4

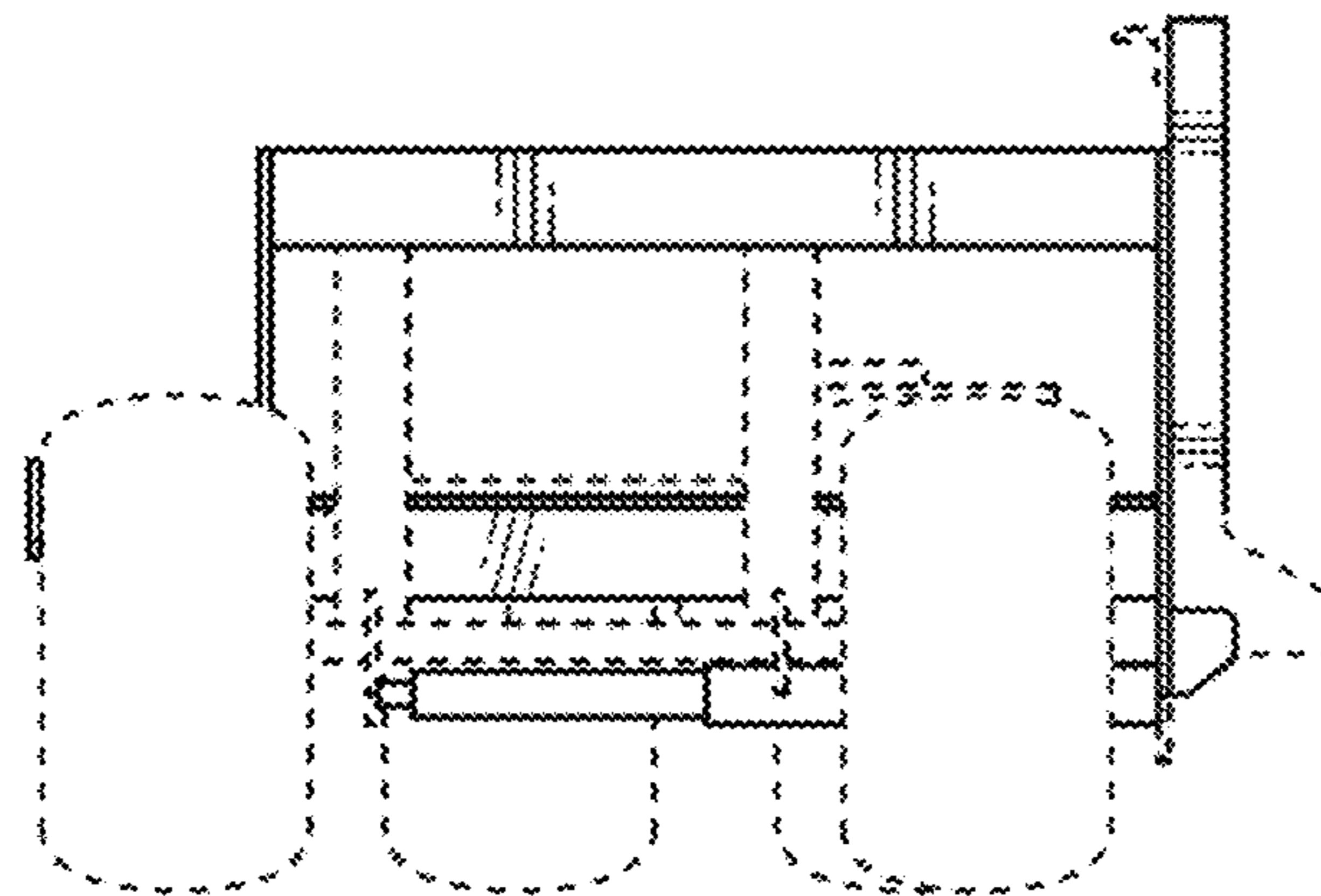


FIG. 5

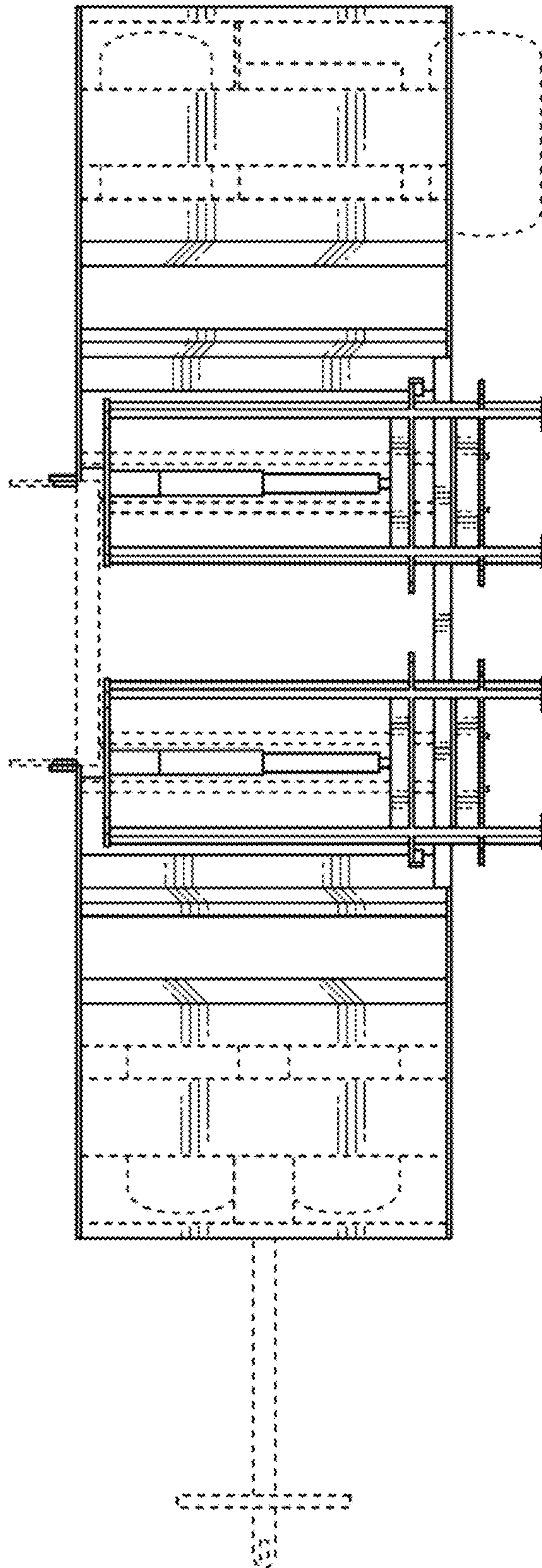


FIG. 6

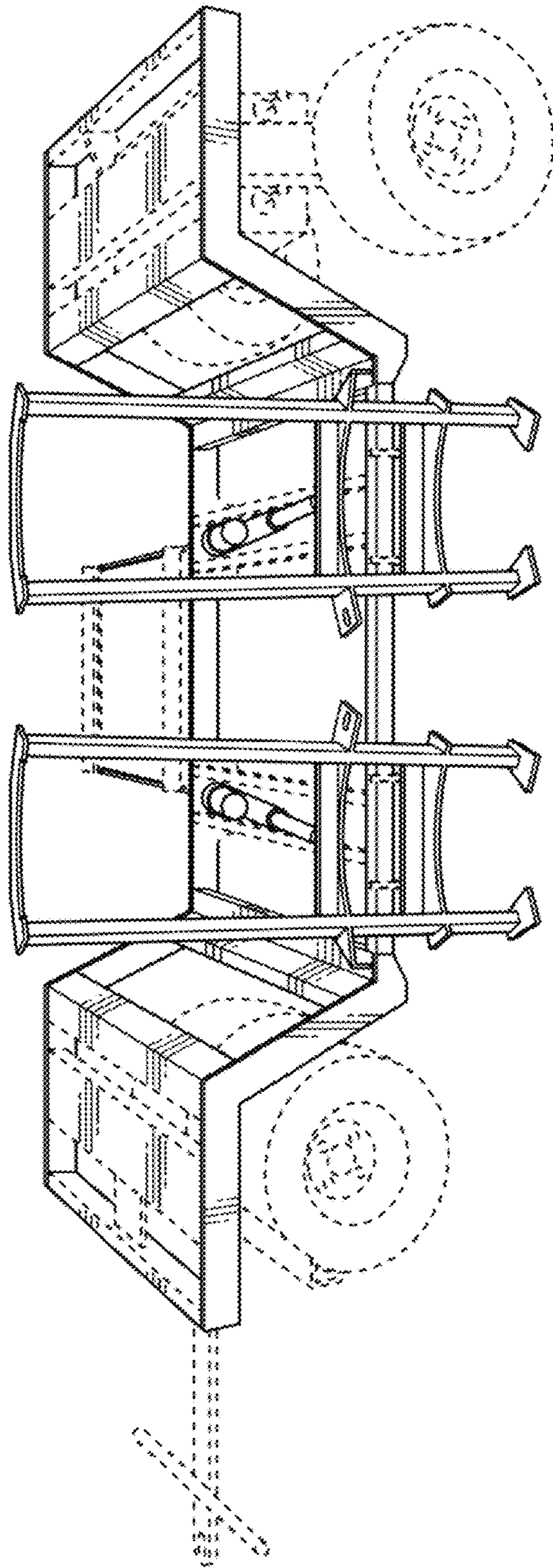


FIG. 7

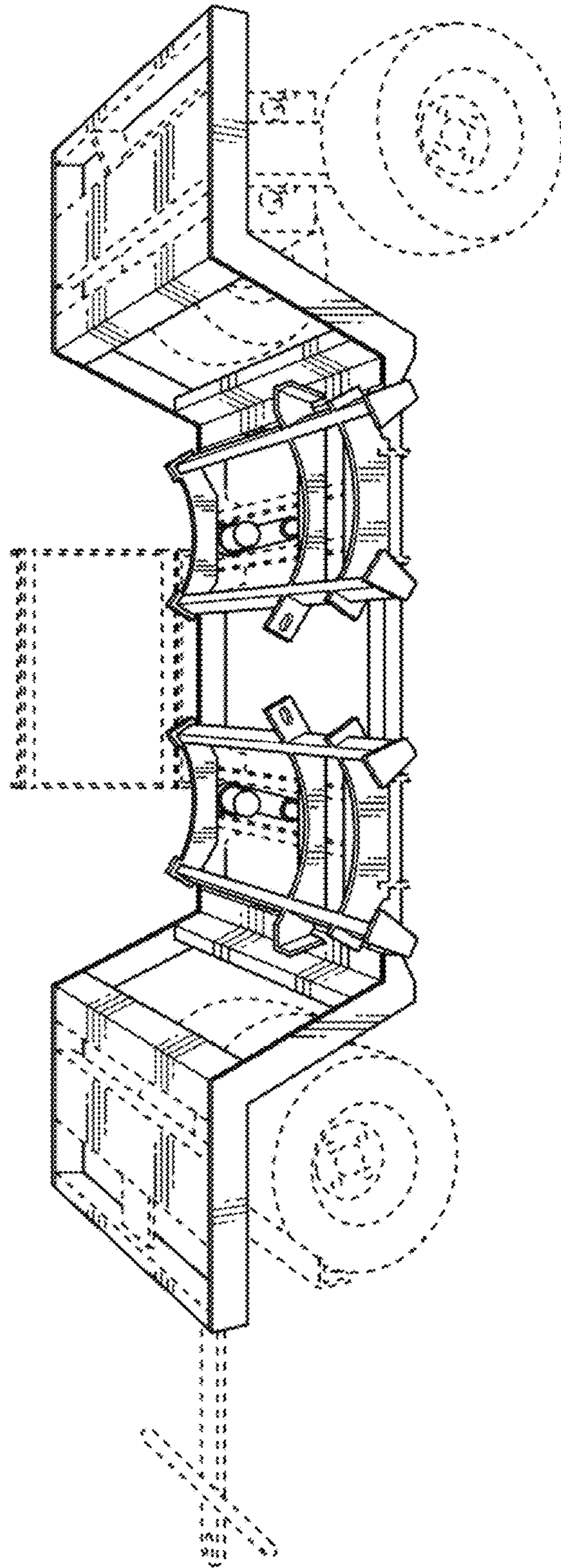


FIG. 8

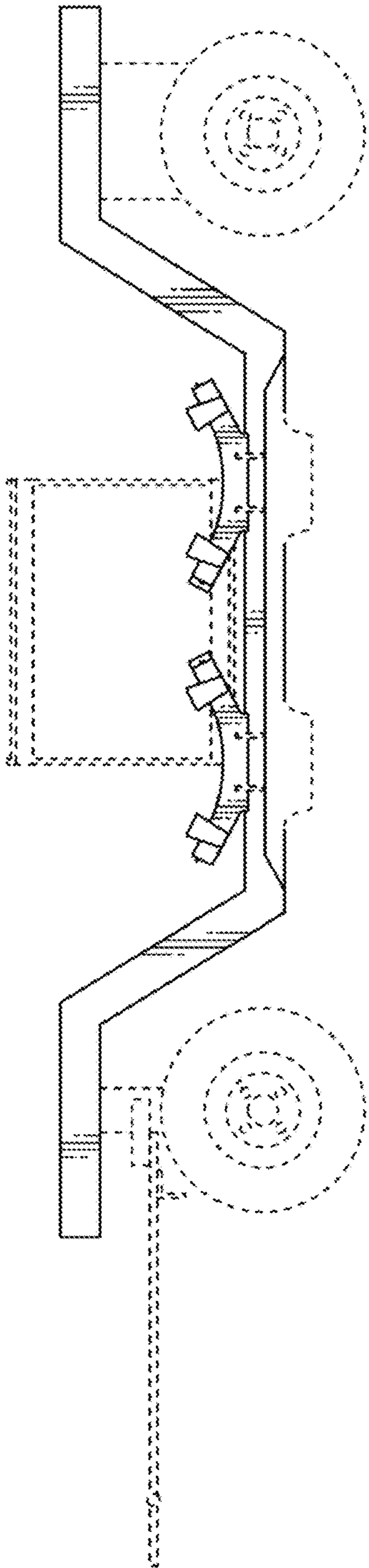


FIG. 9

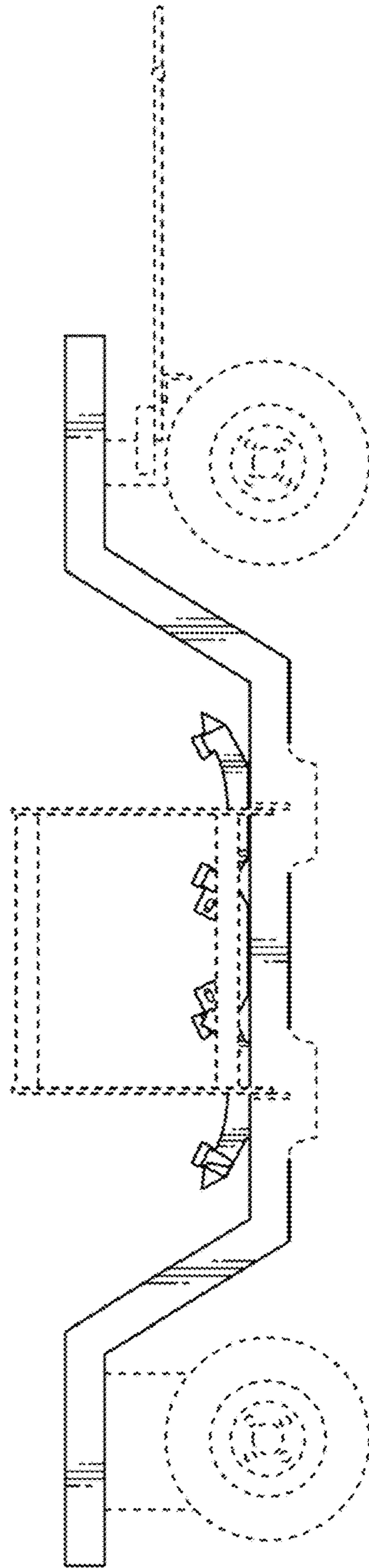


FIG. 10

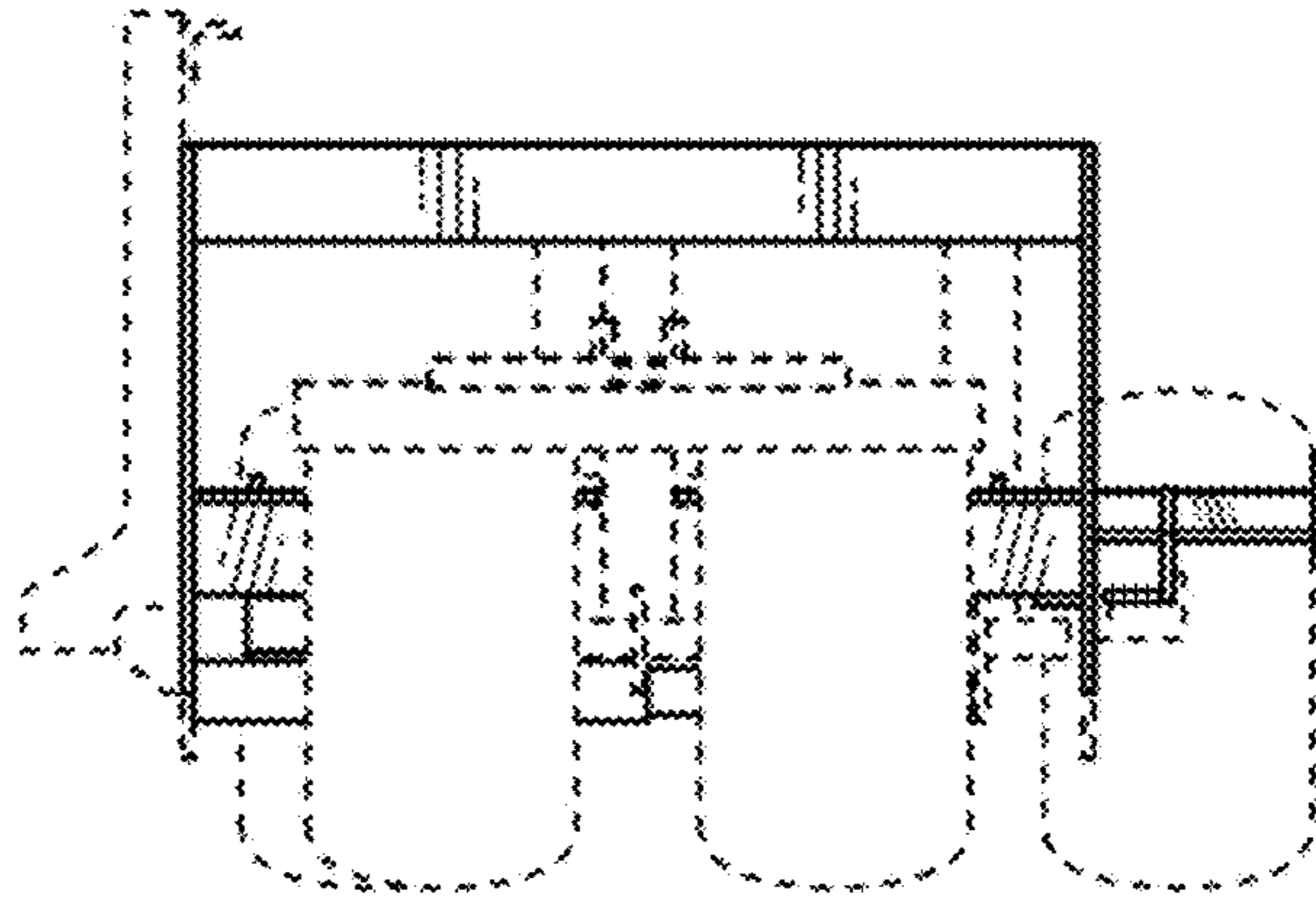


FIG. 11

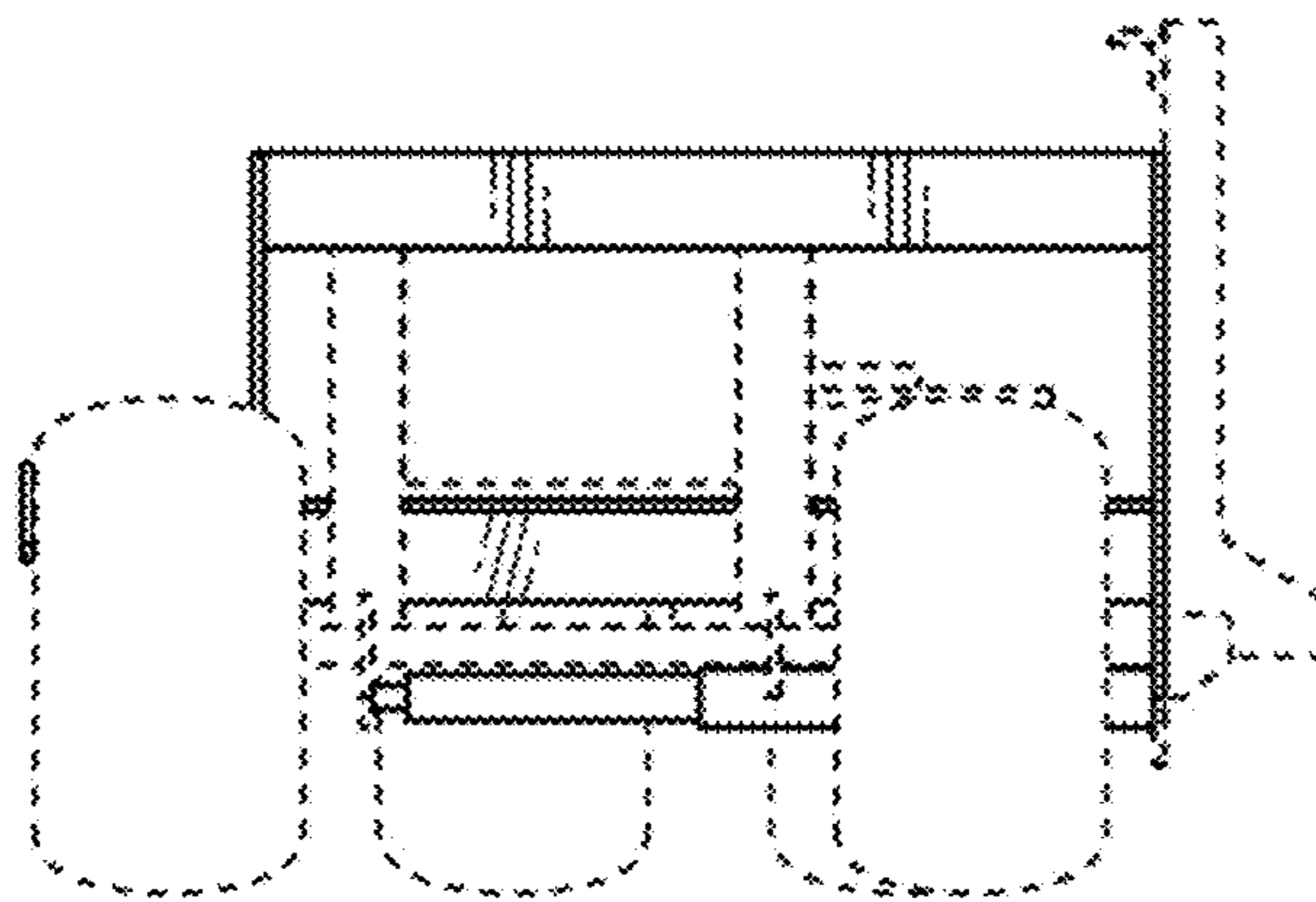


FIG. 12

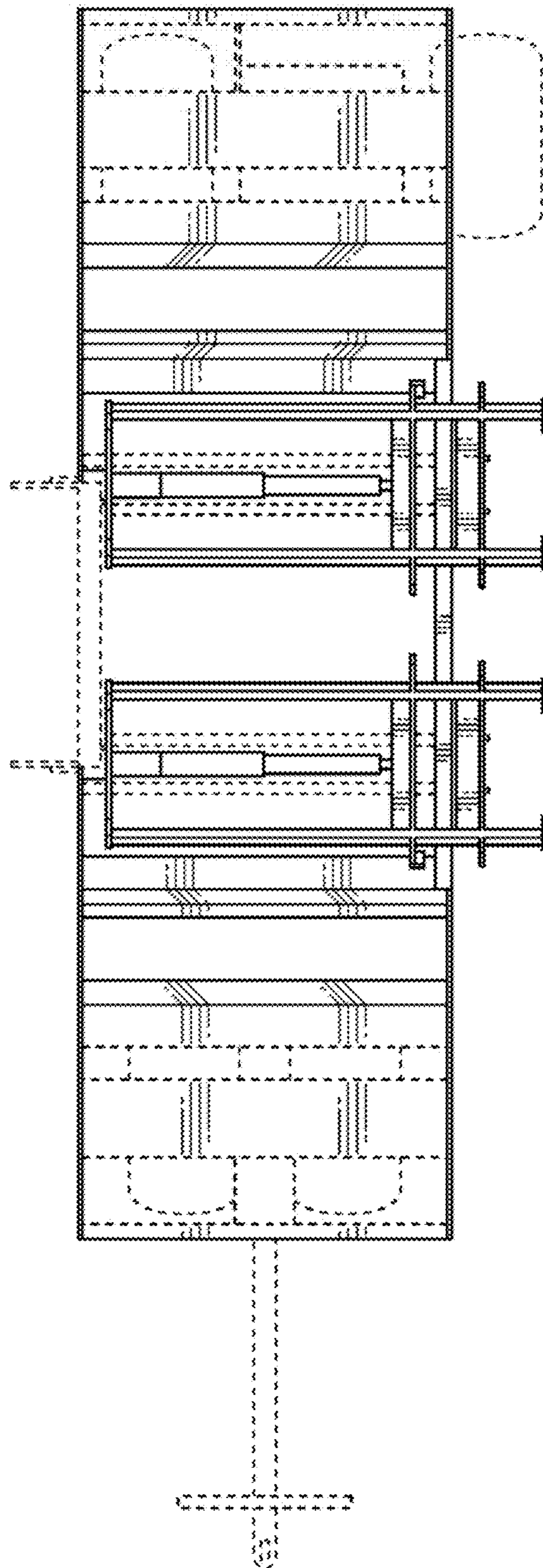


FIG. 13

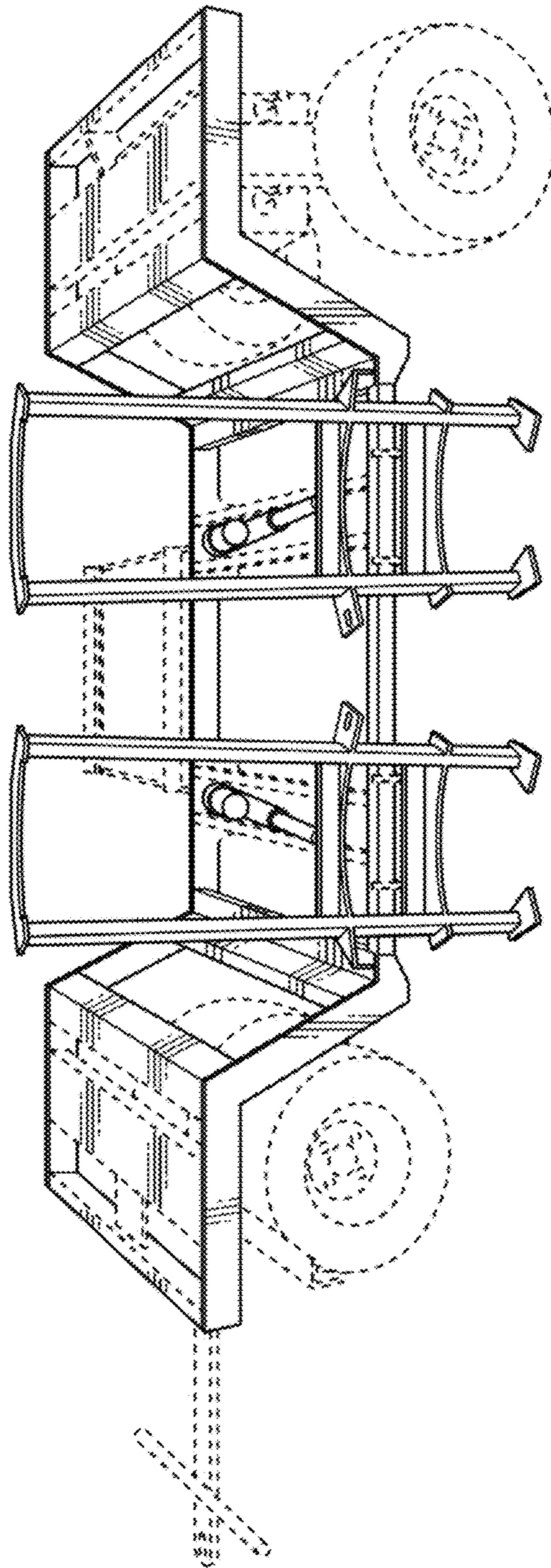


FIG. 14