



US00D840273S

(12) **United States Design Patent**  
**Battams**

(10) **Patent No.:** **US D840,273 S**

(45) **Date of Patent:** **\*\* Feb. 12, 2019**

(54) **VEHICLE**

(71) Applicant: **Jaguar Land Rover Limited**, Whitley,  
Coventry (GB)

(72) Inventor: **Robert Battams**, Coventry (GB)

(73) Assignee: **Jaguar Land Rover Limited**, Whitley,  
Coventry (GB)

(\*\*) Term: **15 Years**

(21) Appl. No.: **29/622,405**

(22) Filed: **Oct. 17, 2017**

(30) **Foreign Application Priority Data**

Apr. 21, 2017 (EM) ..... 003866920

(51) **LOC (11) Cl.** ..... **12-08**

(52) **U.S. Cl.**  
USPC ..... **D12/91**

(58) **Field of Classification Search**  
USPC ..... D12/86, 90-92; D21/424, 433, 434;  
296/181.1-181.5, 183.1  
CPC ..... B62D 25/00; B62D 25/06; B62D 33/00;  
B62D 35/00

See application file for complete search history.

(56) **References Cited**

**U.S. PATENT DOCUMENTS**

D718,188 S \* 11/2014 Wheel ..... D12/91  
D735,610 S \* 8/2015 Wheel ..... D12/91

D750,531 S \* 3/2016 Watkins ..... D12/91  
D750,532 S \* 3/2016 Frascella ..... D12/91  
D774,417 S \* 12/2016 Watkins ..... D12/91  
D805,959 S \* 12/2017 Wheel ..... D12/91  
D805,960 S \* 12/2017 Wheel ..... D12/91  
D807,228 S \* 1/2018 Woolley ..... D12/91  
D817,817 S \* 5/2018 Frascella ..... D12/91  
D818,399 S \* 5/2018 Frascella ..... D12/91

\* cited by examiner

*Primary Examiner* — Melody N Brown

(74) *Attorney, Agent, or Firm* — Wood Herron & Evans  
LLP

(57) **CLAIM**

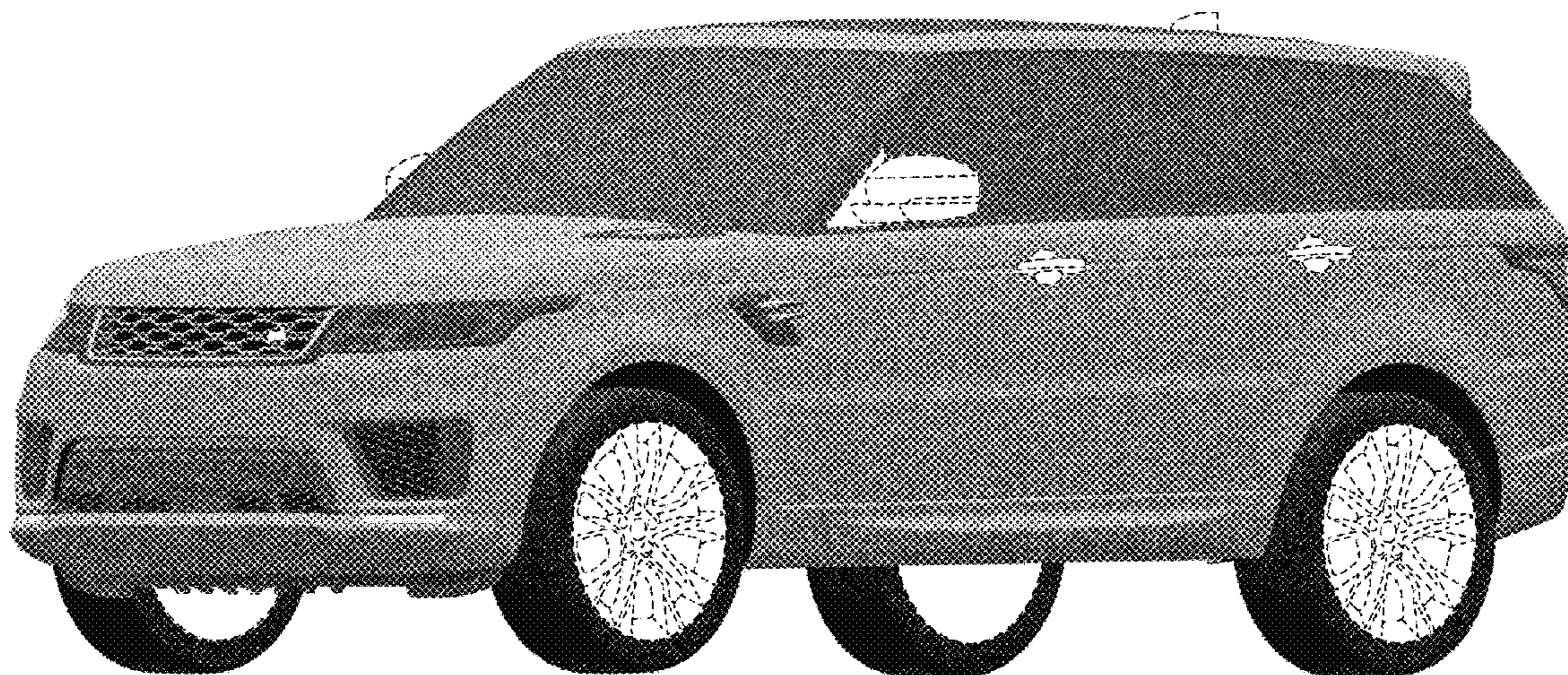
The ornamental design for a vehicle, as shown and  
described.

**DESCRIPTION**

FIG. 1 is a right, front perspective view of a vehicle showing  
my new design;  
FIG. 2 is a left, front perspective view thereof;  
FIG. 3 is a left, rear perspective view thereof;  
FIG. 4 is a right, rear perspective view thereof;  
FIG. 5 is a front view thereof;  
FIG. 6 is a rear view thereof;  
FIG. 7 is a left side view thereof;  
FIG. 8 is a right side view thereof; and,  
FIG. 9 is a top view thereof.

Any elements shown in broken lines form no part of the  
claimed invention, but are instead included to show envi-  
ronmental aspects thereof.

**1 Claim, 9 Drawing Sheets**



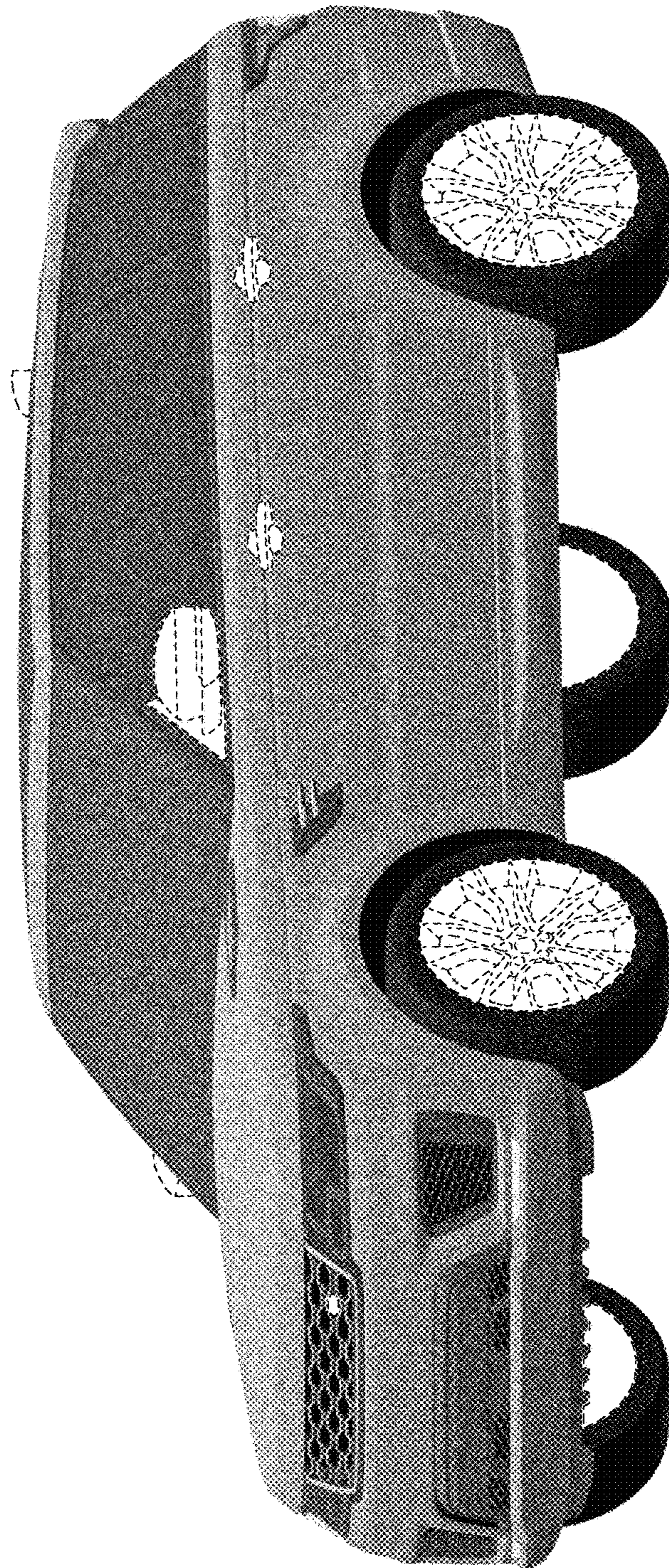


FIG. 1



FIG. 2

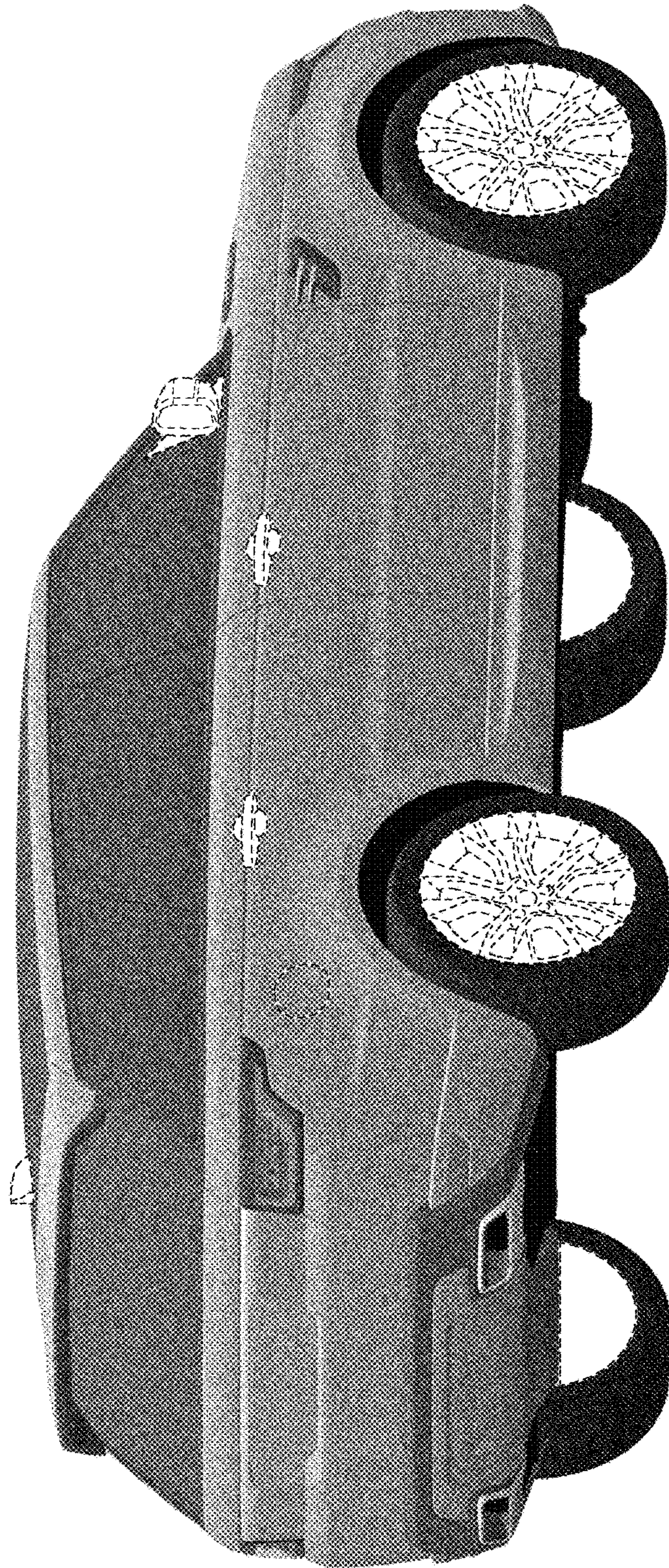


FIG. 3

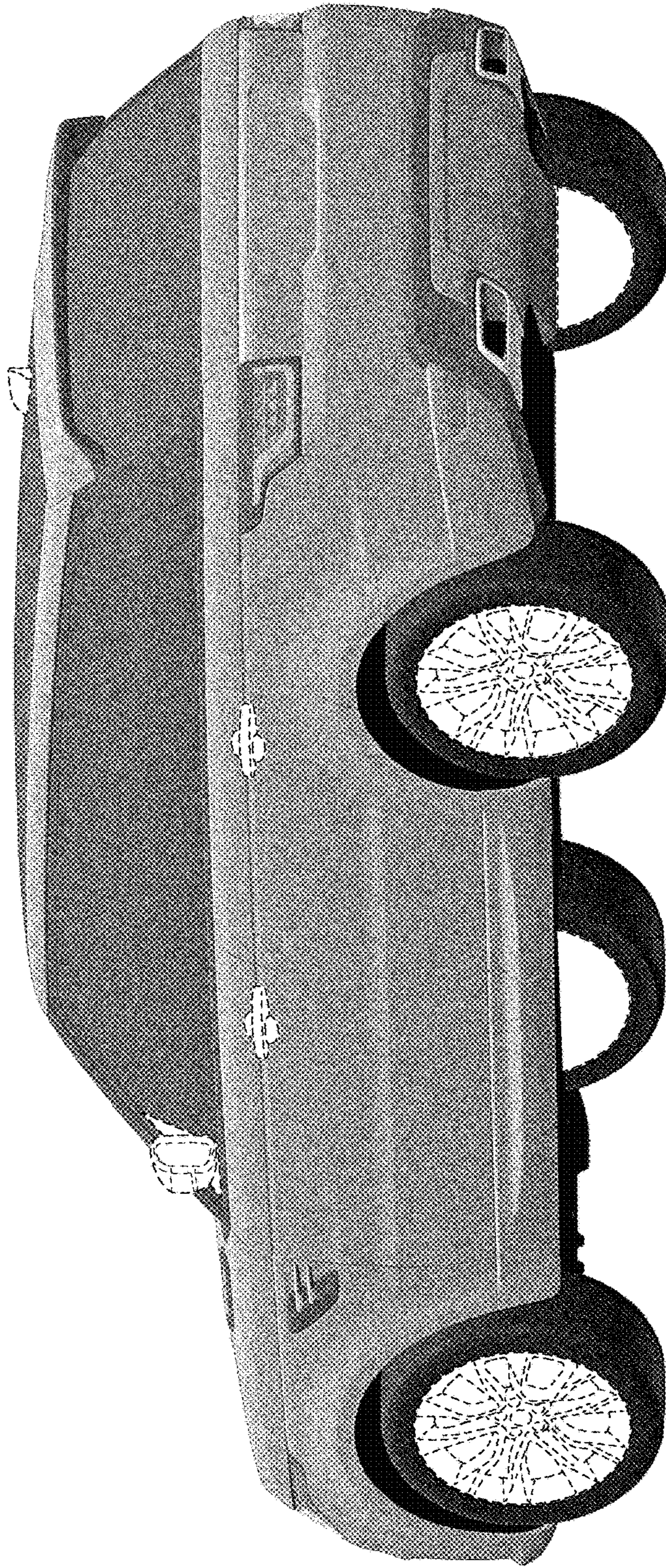


FIG. 4



FIG. 5

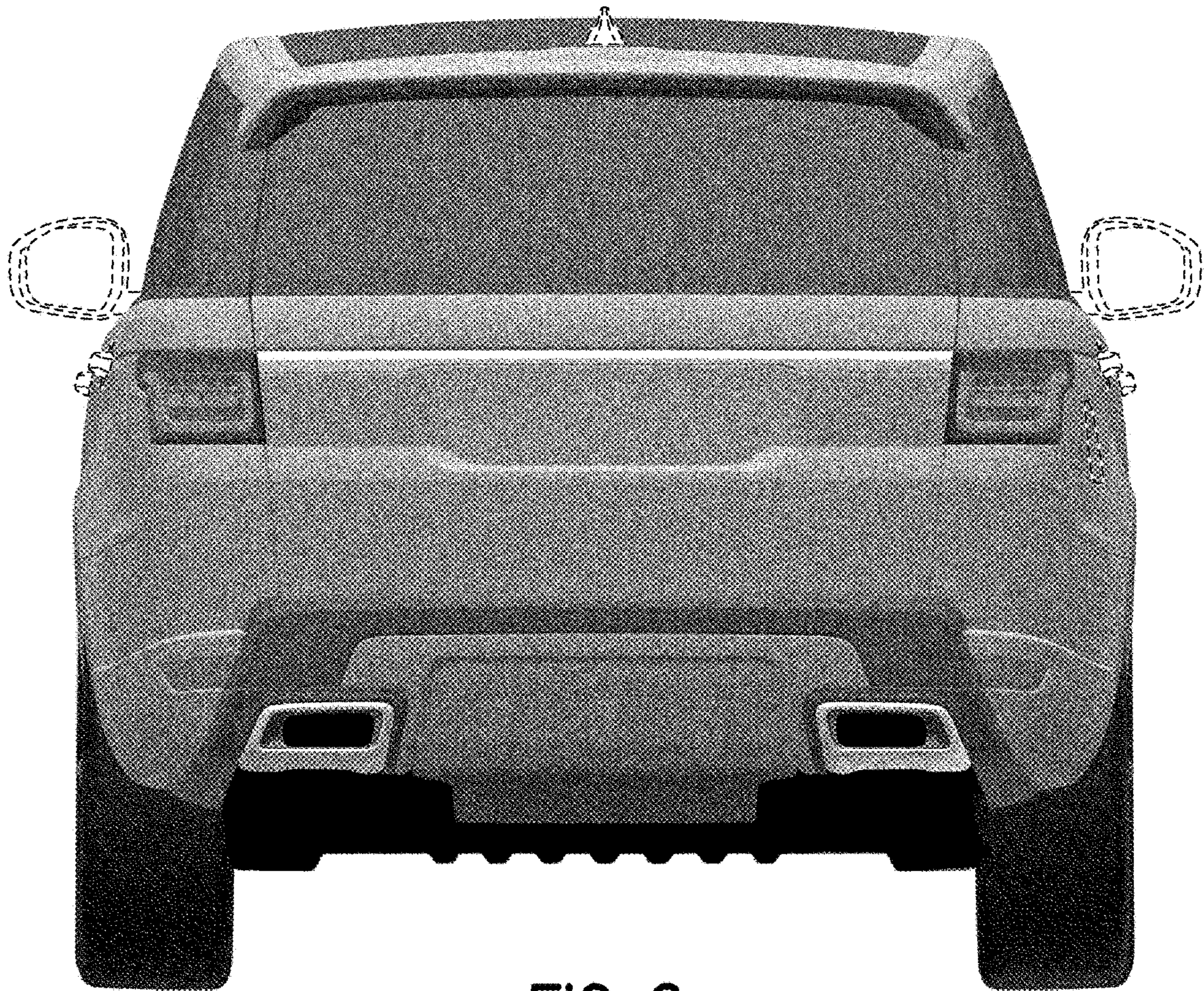


FIG. 6

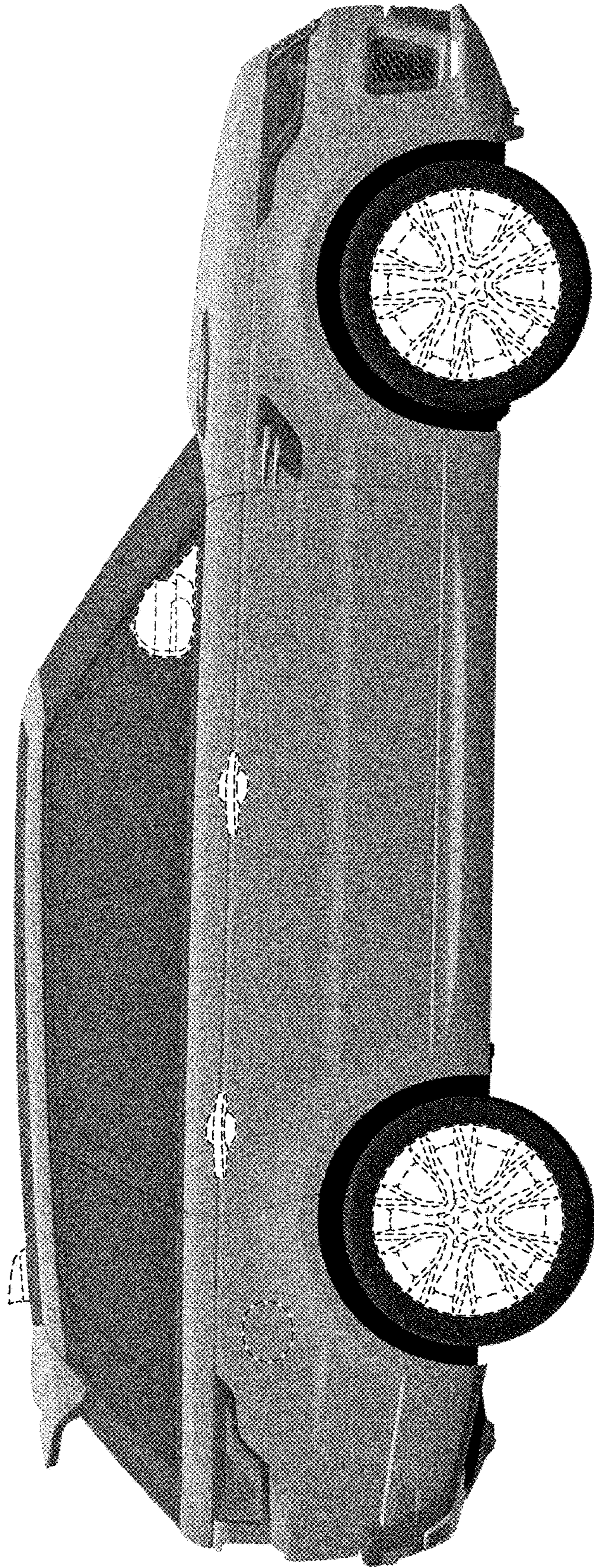


FIG. 7



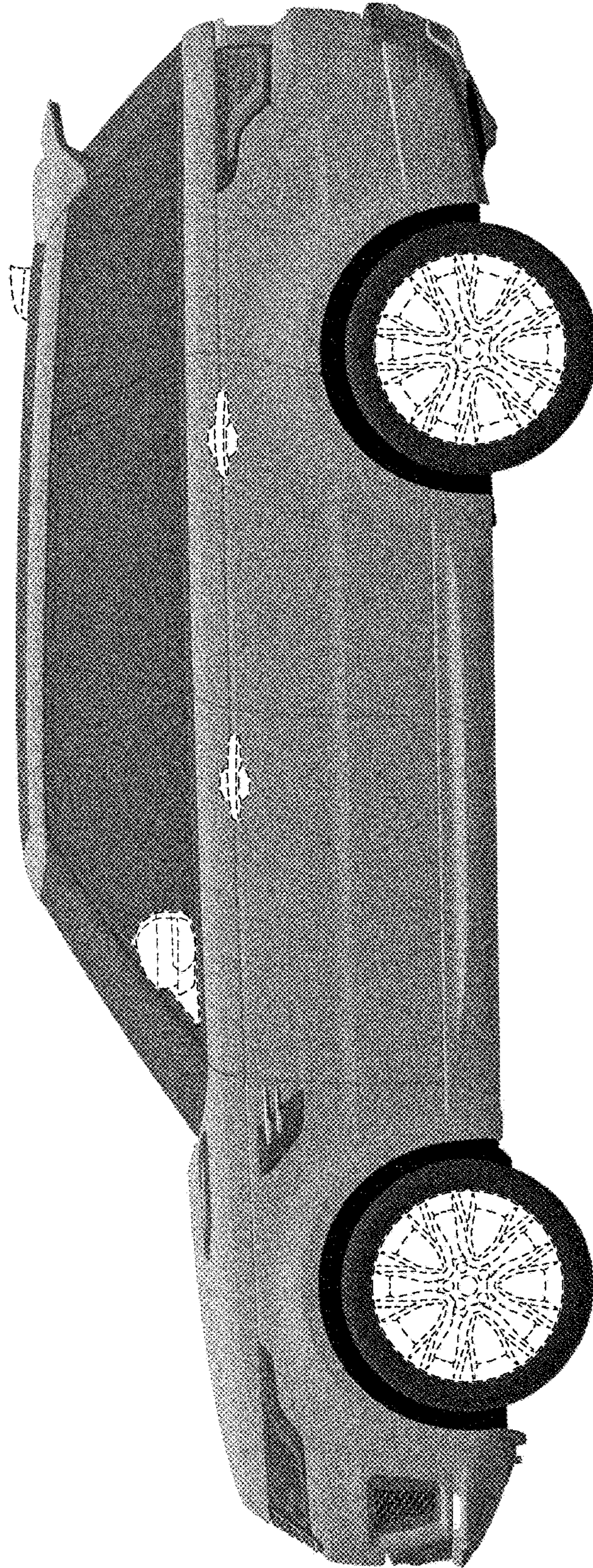


FIG. 8

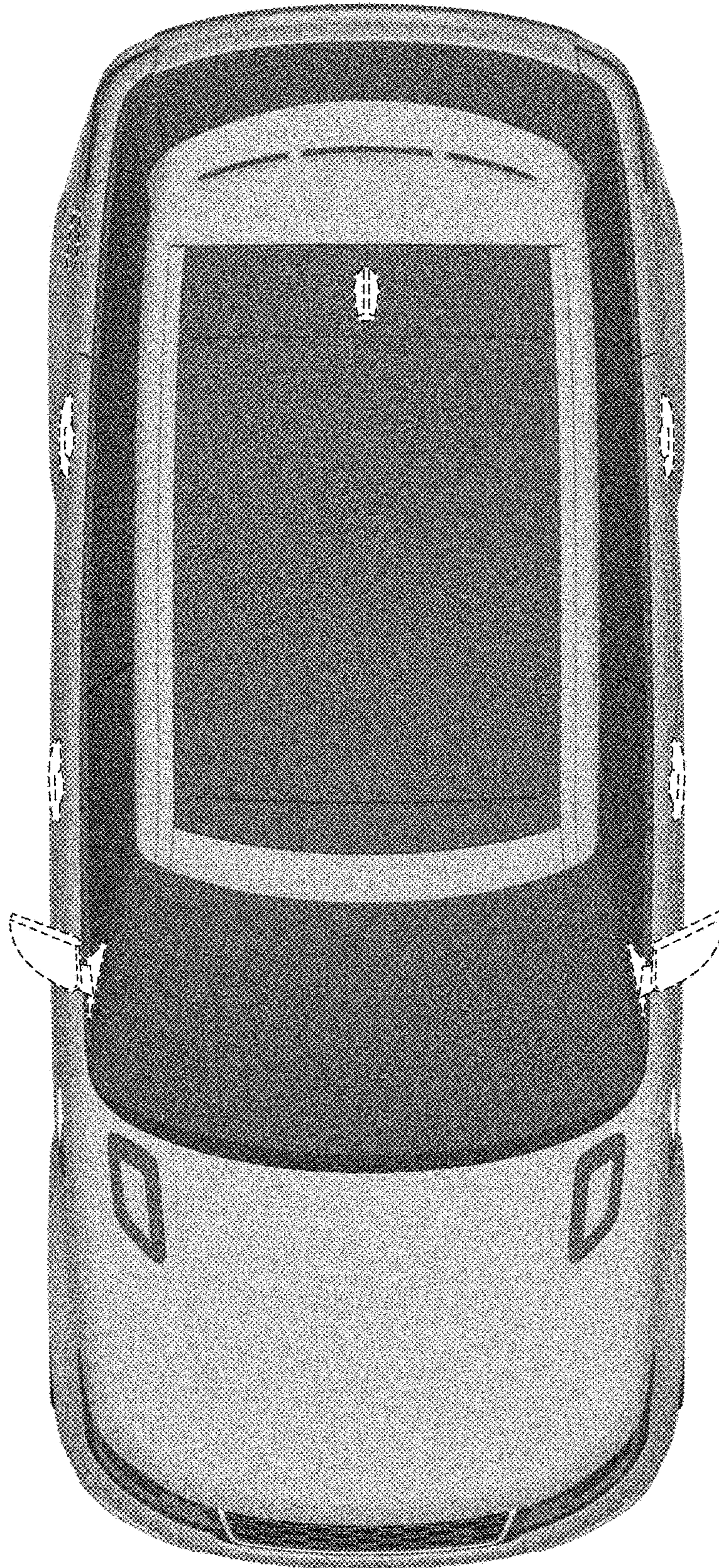


FIG. 9