



US00D840270S

(12) **United States Design Patent**
Goodrich et al.

(10) **Patent No.:** **US D840,270 S**
(45) **Date of Patent:** **** Feb. 12, 2019**

- (54) **AUTOMOBILE EXTERIOR**
- (71) Applicants: **Stephen Goodrich**, Clawson, MI (US);
Brian H Nielander, Royal Oak, MI (US); **Mark T Allen**, Oxford, MI (US)
- (72) Inventors: **Stephen Goodrich**, Clawson, MI (US);
Brian H Nielander, Royal Oak, MI (US); **Mark T Allen**, Oxford, MI (US)
- (73) Assignee: **FCA US LLC**, Auburn Hills, MI (US)

D391,520 S	3/1998	Laster	
D507,766 S	7/2005	McMahan et al.	
D534,836 S	1/2007	Moushegian et al.	
D624,851 S *	10/2010	Feng	D12/91
D801,860 S *	11/2017	Piscitelli	D12/91
D810,626 S *	2/2018	Macey	D12/91
D811,270 S *	2/2018	Zhang	D12/91
D825,385 S *	8/2018	Ma	D12/91
D827,495 S *	9/2018	Piscitelli	D12/91
D827,496 S *	9/2018	Badstuebner	D12/91
D828,223 S *	9/2018	Piscitelli	D12/91

(**) Term: **15 Years**

(21) Appl. No.: **29/616,446**

(22) Filed: **Sep. 6, 2017**

(51) **LOC (11) Cl.** **12-08**

(52) **U.S. Cl.**
USPC **D12/91**

(58) **Field of Classification Search**
USPC D12/90-92, 86, 196, 163, 164, 169;
293/102, 113, 115, 117, 120; 296/180.1,
296/180.2; 280/181.1, 181.5
CPC B62D 35/00; B62D 25/00; B62D 25/06;
B62D 33/00
See application file for complete search history.

(56) **References Cited**

U.S. PATENT DOCUMENTS

D383,710 S	9/1997	Guichard et al.
D389,438 S	1/1998	Guichard et al.

* cited by examiner

Primary Examiner — Melody N Brown

(74) *Attorney, Agent, or Firm* — Ralph E. Smith

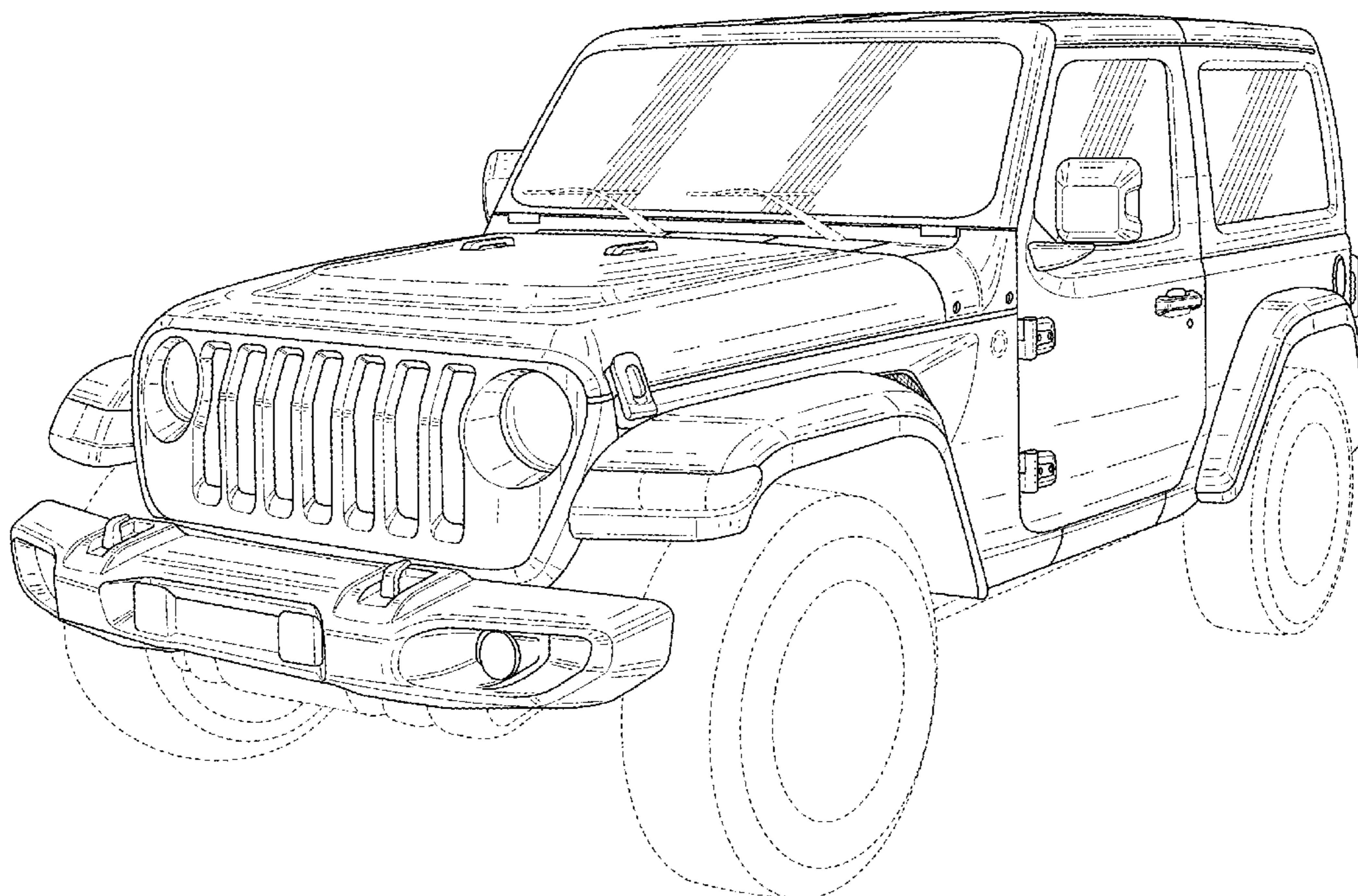
(57) **CLAIM**

The ornamental design for an automobile exterior, as shown and described.

DESCRIPTION

FIG. 1 is a front perspective view of an automobile exterior showing our new design;
FIG. 2 is a rear perspective view thereof;
FIG. 3 is a front view thereof;
FIG. 4 is a rear view thereof;
FIG. 5 is a side view thereof; and,
FIG. 6 is a top plan view thereof.
It will be understood that the broken lines shown in the drawings illustrate portions of the automobile exterior that form no part of claimed design.

1 Claim, 6 Drawing Sheets



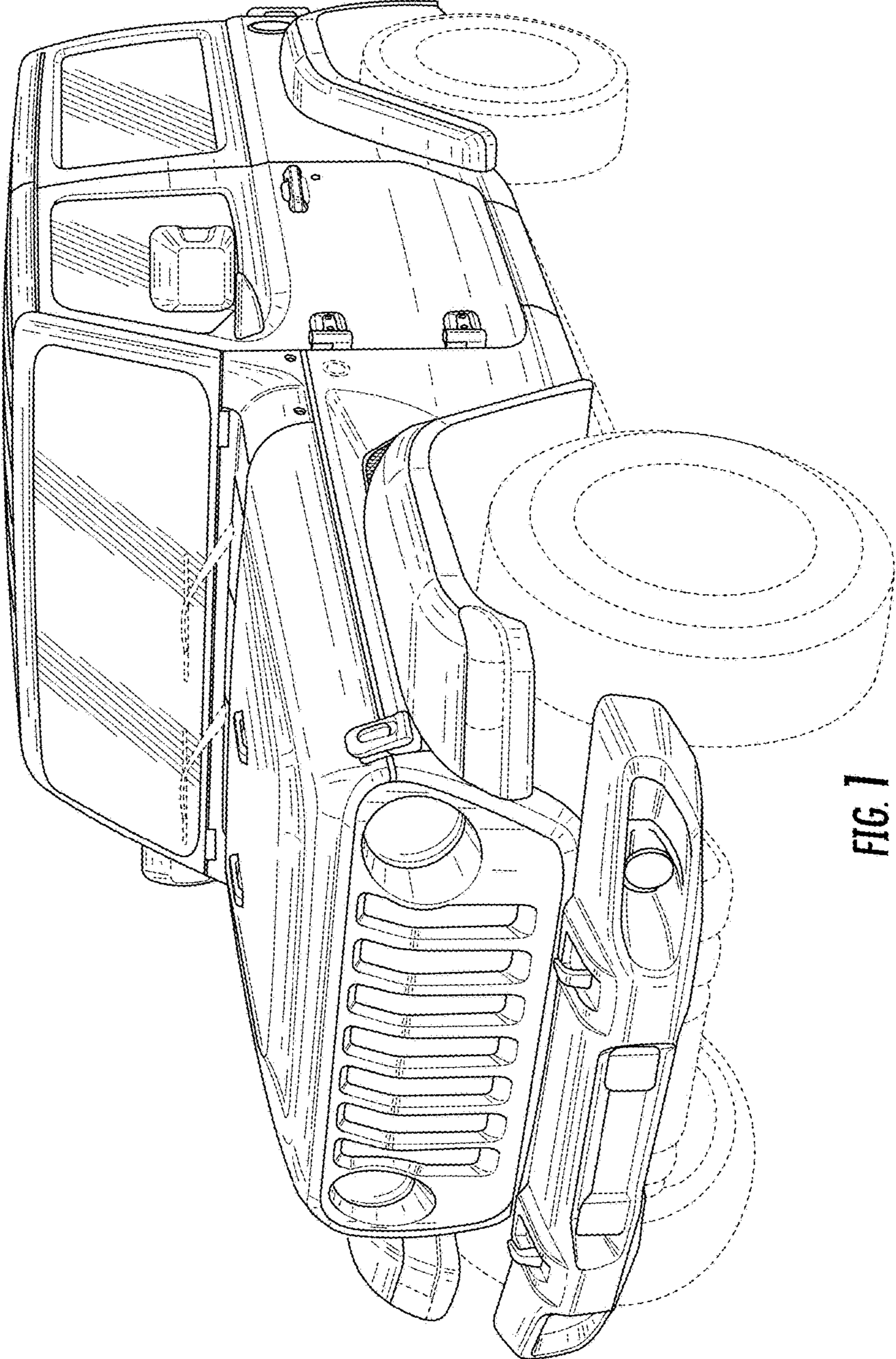


FIG. 1

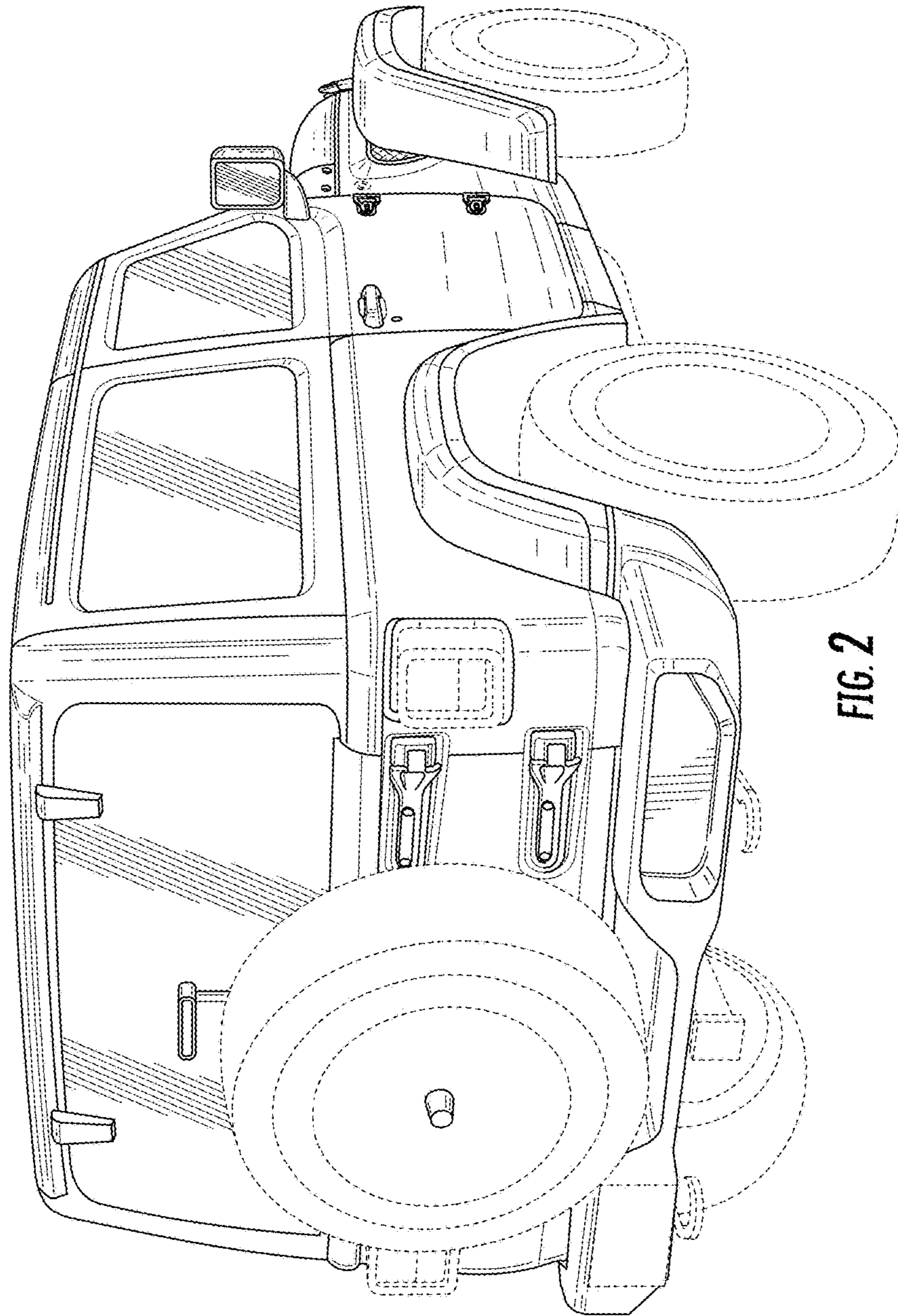


FIG. 2

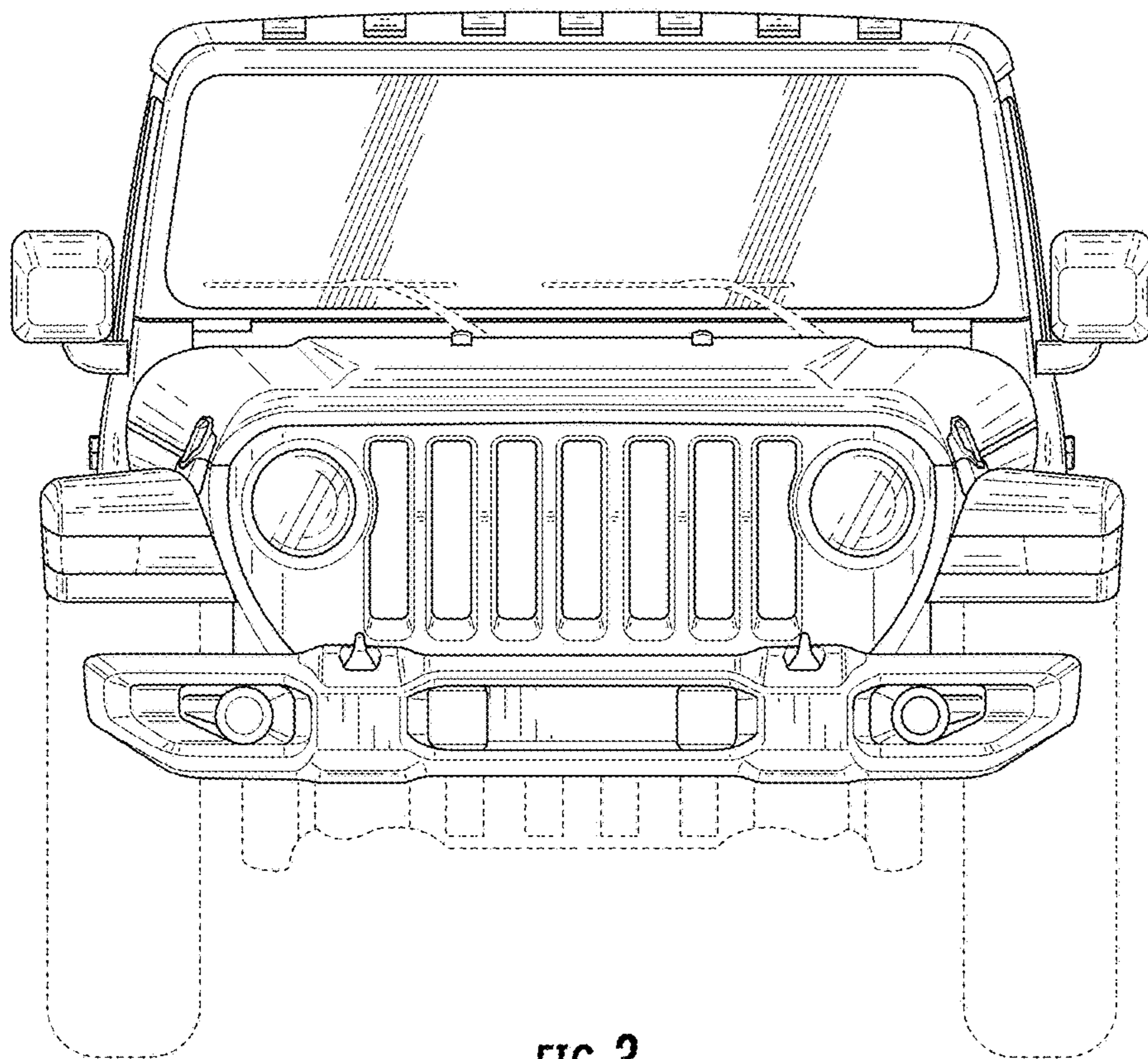


FIG. 3

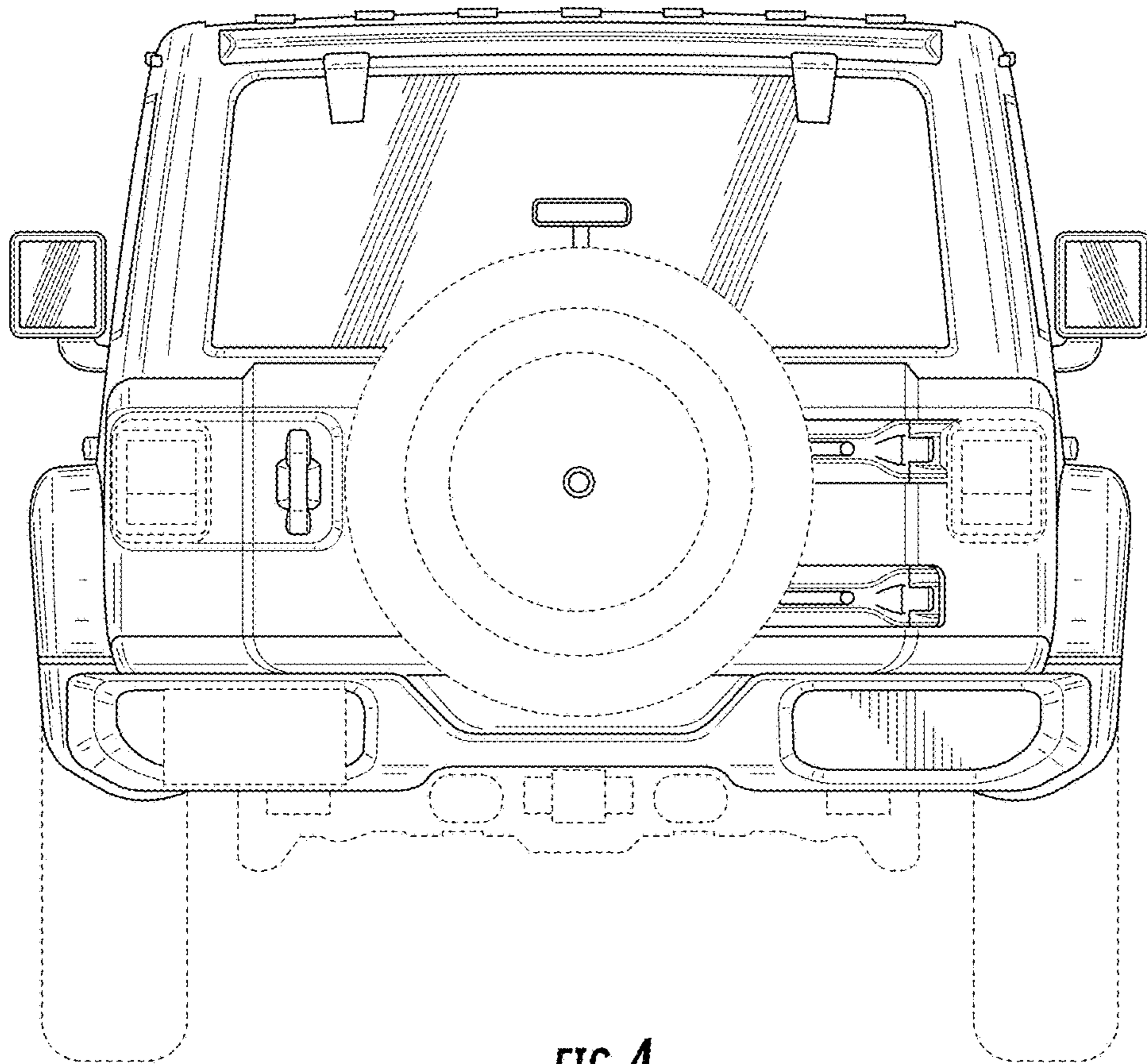


FIG. 4

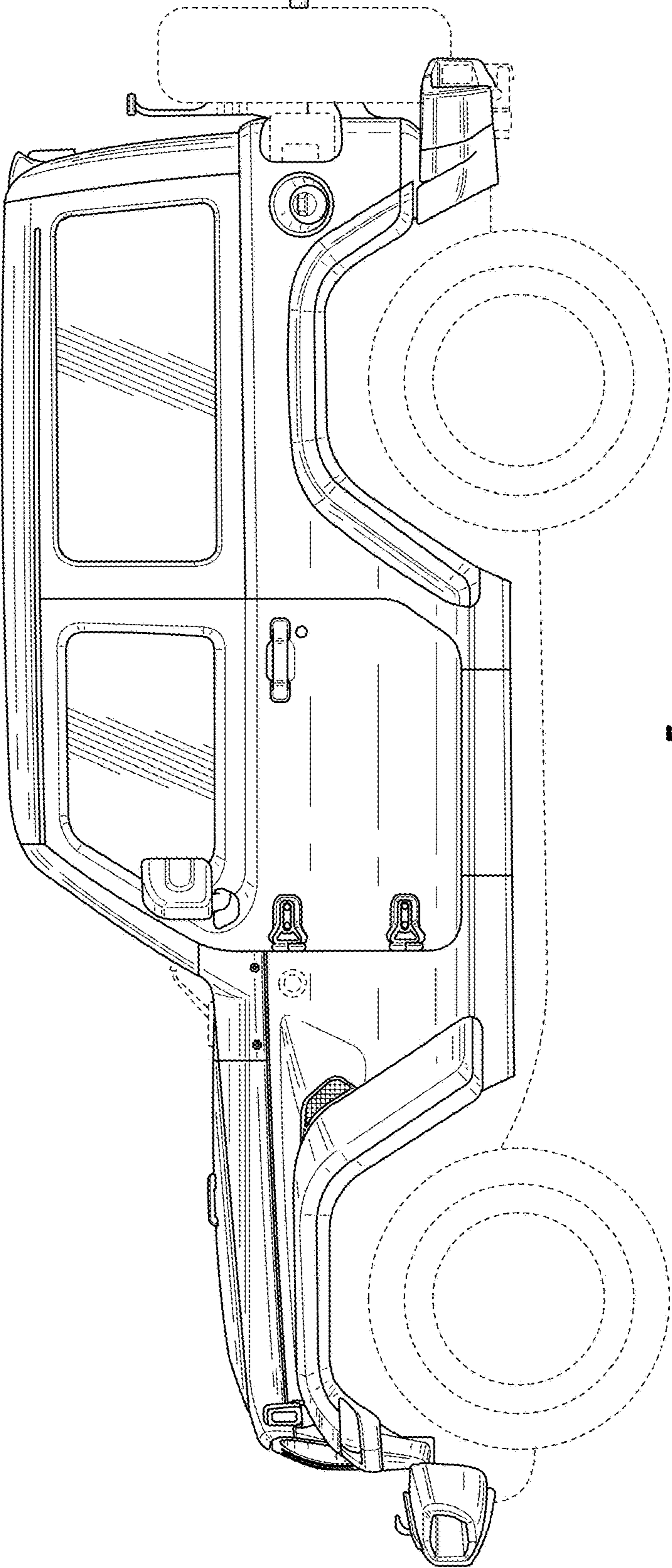


FIG. 5

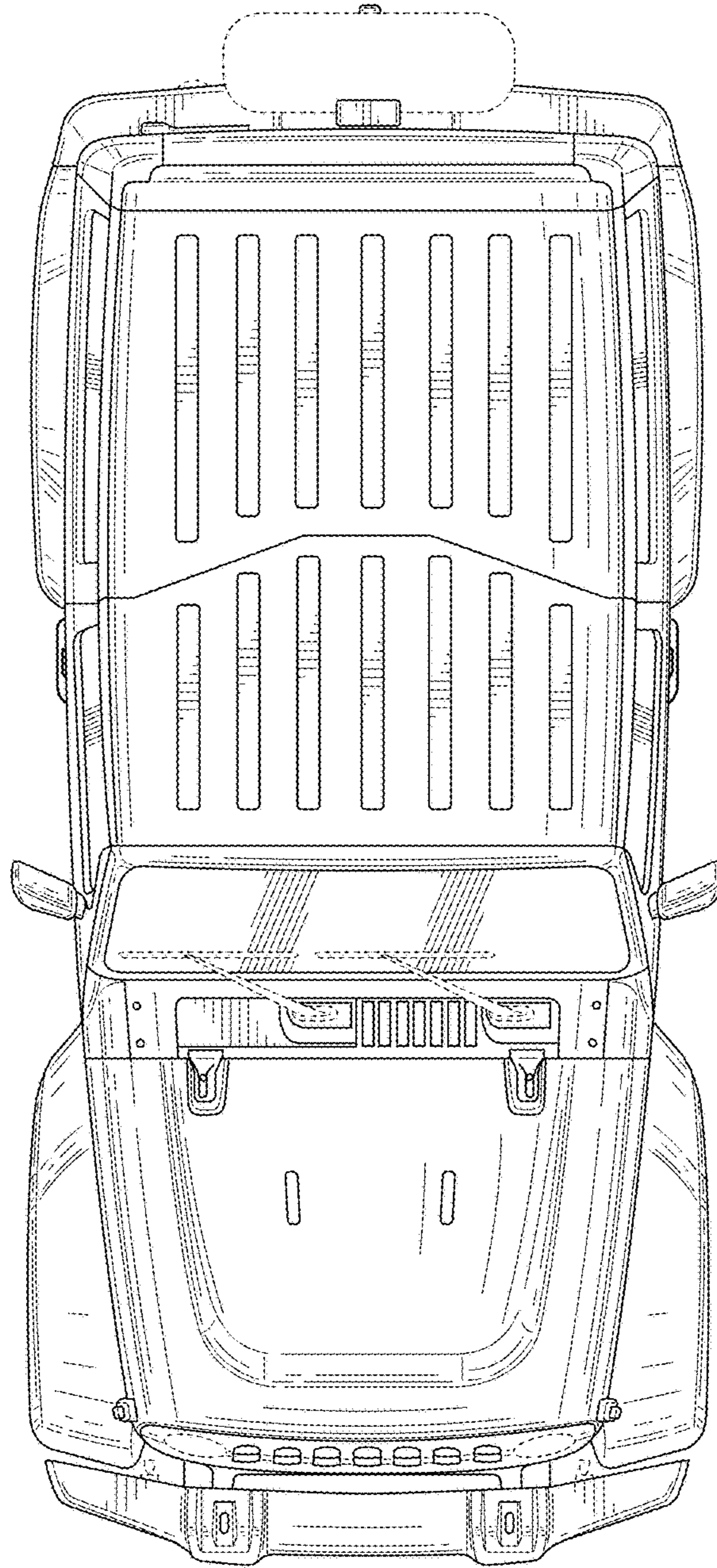


FIG. 6