

US00D840267S

(12) **United States Design Patent**
Rike

(10) **Patent No.:** **US D840,267 S**
(45) **Date of Patent:** **** Feb. 12, 2019**

(54) **STORAGE TANK FOR DUMP BODY**

- (71) Applicant: **PALMER TRUCKS, INC.**,
Indianapolis, IN (US)
- (72) Inventor: **James B. Rike**, Indianapolis, IN (US)
- (73) Assignee: **PALMER TRUCKS, INC.**,
Indianapolis, IN (US)
- (**) Term: **15 Years**
- (21) Appl. No.: **29/582,566**
- (22) Filed: **Oct. 28, 2016**

Related U.S. Application Data

- (63) Continuation of application No. 29/521,556, filed on
Mar. 24, 2015, now Pat. No. Des. 773,958.
- (51) **LOC (11) Cl.** **08-10**
- (52) **U.S. Cl.**
USPC **D12/15**
- (58) **Field of Classification Search**
USPC D12/15, 10, 22-26, 30, 33, 28, 1, 5, 93,
D12/98, 196, 14

(Continued)

(56) **References Cited**

U.S. PATENT DOCUMENTS

4,273,381 A	6/1981	Bibeau
D309,816 S	8/1990	Morrow

(Continued)

Primary Examiner — Katrina A Betton

(74) *Attorney, Agent, or Firm* — Tucker Ellis LLP; Carlos Garritano

(57) **CLAIM**

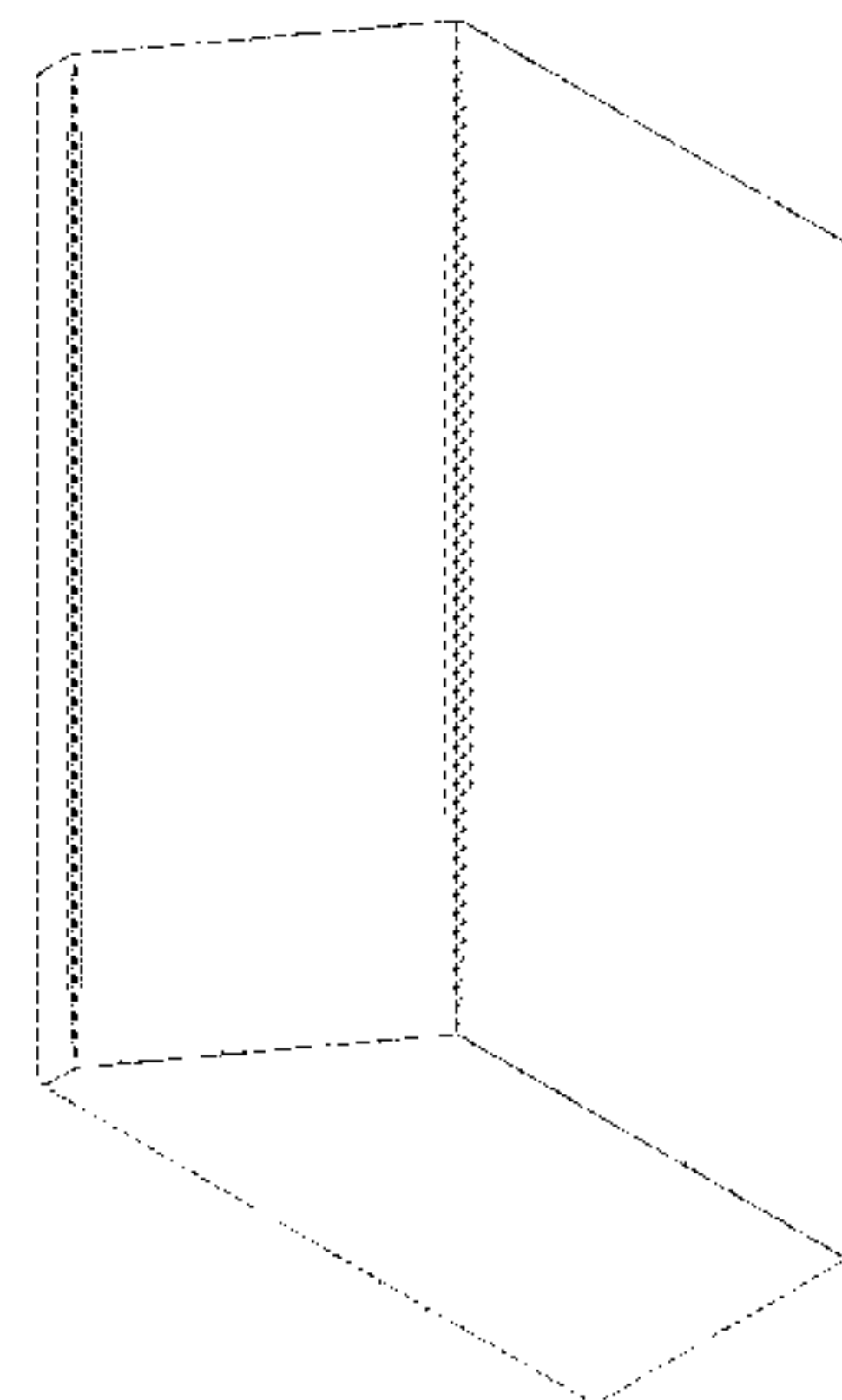
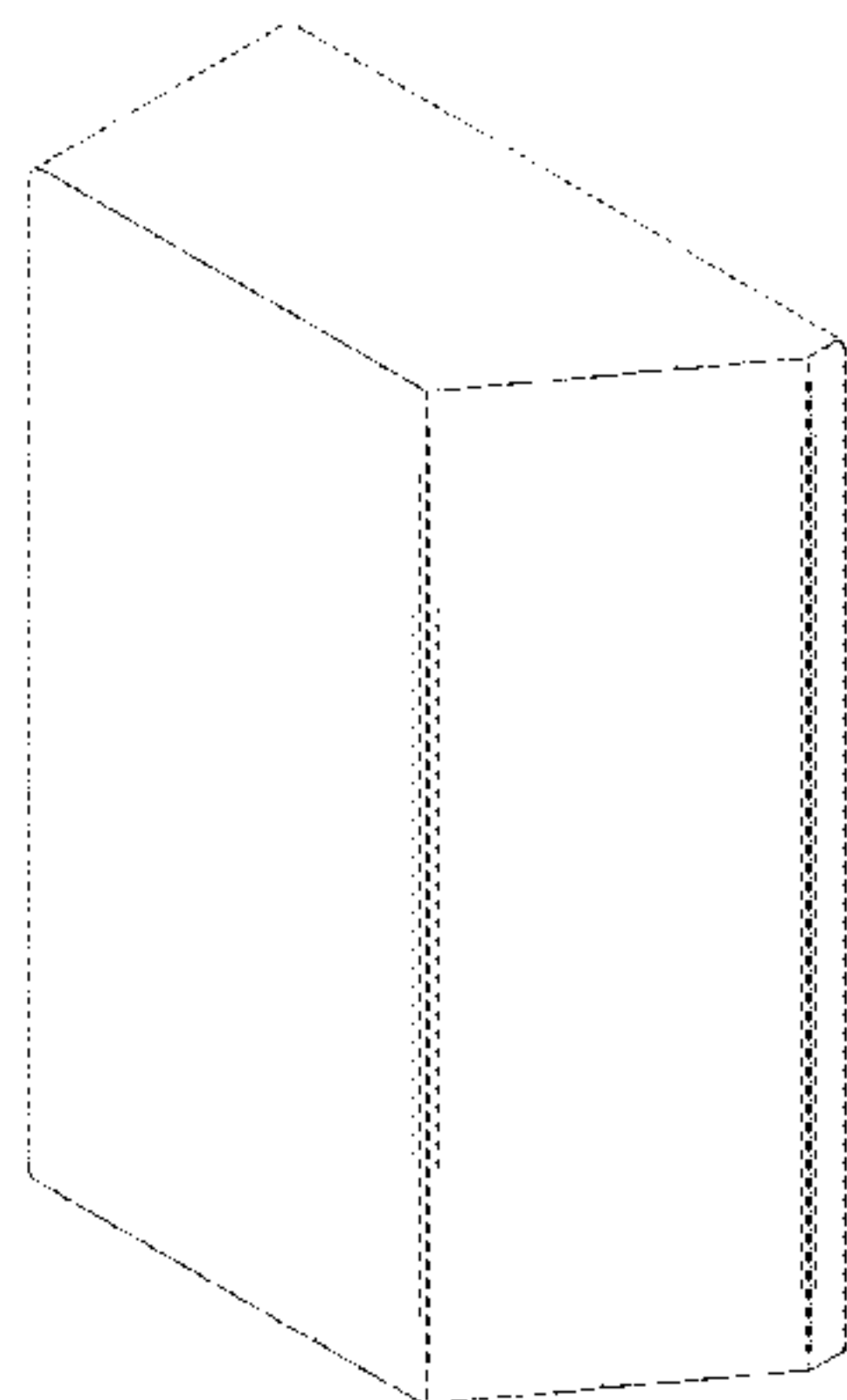
The ornamental design for a storage tank for dump body, as shown and described.

DESCRIPTION

FIG. 1 is a top front perspective view of a storage tank for dump body showing our new design;

FIG. 2 is a bottom front perspective view of the storage tank for dump body illustrated in FIG. 1;
 FIG. 3 is front view of the storage tank for dump body illustrated in FIG. 1;
 FIG. 4 is a rear view of the storage tank for dump body illustrated in FIG. 1;
 FIG. 5 is a left side view of the storage tank for dump body illustrated in FIG. 1;
 FIG. 6 is a right side view of the storage tank for dump body illustrated in FIG. 1;
 FIG. 7 is a top view of the storage tank for dump body illustrated in FIG. 1;
 FIG. 8 is a bottom view of the storage tank for dump body illustrated in FIGS. 1; and
 FIG. 9 is an in use view of the storage tank for dump body illustrated in FIG. 1;
 FIG. 10 is a top front perspective view of a storage tank for dump body showing our new design;
 FIG. 11 is a bottom front perspective view of the storage tank for dump body illustrated in FIG. 10;
 FIG. 12 is front view of the storage tank for dump body illustrated in FIG. 10;
 FIG. 13 is a rear view of the storage tank for dump body illustrated in FIG. 10;
 FIG. 14 is a left side view of the storage tank for dump body illustrated in FIG. 10;
 FIG. 15 is a right side view of the storage tank for dump body illustrated in FIG. 10;
 FIG. 16 is a top view of the storage tank for dump body illustrated in FIG. 10;
 FIG. 17 is a bottom view of the storage tank for dump body illustrated in FIG. 10; and,
 FIG. 18 is an in use view of the storage tank for dump body illustrated in FIG. 10.
 In the drawings, the broken lines depict portions of the article that form no part of the claimed design.

1 Claim, 14 Drawing Sheets



US D840,267 S

Page 2

- (58) **Field of Classification Search**
CPC B60P 1/16; B60P 1/286; B60P 3/30; B60P
1/42; B60P 1/36
See application file for complete search history.

6,945,482 B2 9/2005 Hollinrake et al.
D520,524 S 5/2006 Sandler
D560,553 S 1/2008 Vance
7,913,931 B2 3/2011 Hollinrake et al.
8,087,731 B1 1/2012 Rogers
D826,992 S * 8/2018 Bolinder B62D 33/02

- (56) **References Cited**

U.S. PATENT DOCUMENTS

5,772,389 A 6/1998 Feller
6,186,731 B1 2/2001 Vickers et al.
D450,627 S 11/2001 Musso
6,354,786 B1 3/2002 Feller
6,364,598 B1 4/2002 Vickers et al.
6,394,735 B2 5/2002 Hollinrake et al.
D459,681 S 7/2002 Turcotte
6,585,472 B2 7/2003 Hollinrake et al.
6,698,997 B2 3/2004 Arne et al.
6,881,022 B2 4/2005 Feller

D827,675 S * 9/2018 Bolinder D15/10
D827,676 S * 9/2018 Bolinder D15/10
2007/0096536 A1 5/2007 Gapski
2008/0018135 A1 1/2008 Risner
2015/0165957 A1 * 6/2015 Sarangapani B60P 1/286
296/183.2
2016/0075268 A1 * 3/2016 Bolin B65D 88/123
296/183.2
2017/0174148 A1 * 6/2017 Fujan B60R 13/01
2017/0246974 A1 * 8/2017 Lemaire B60P 1/26
2018/0229639 A1 * 8/2018 Yabe B60P 1/04

* cited by examiner

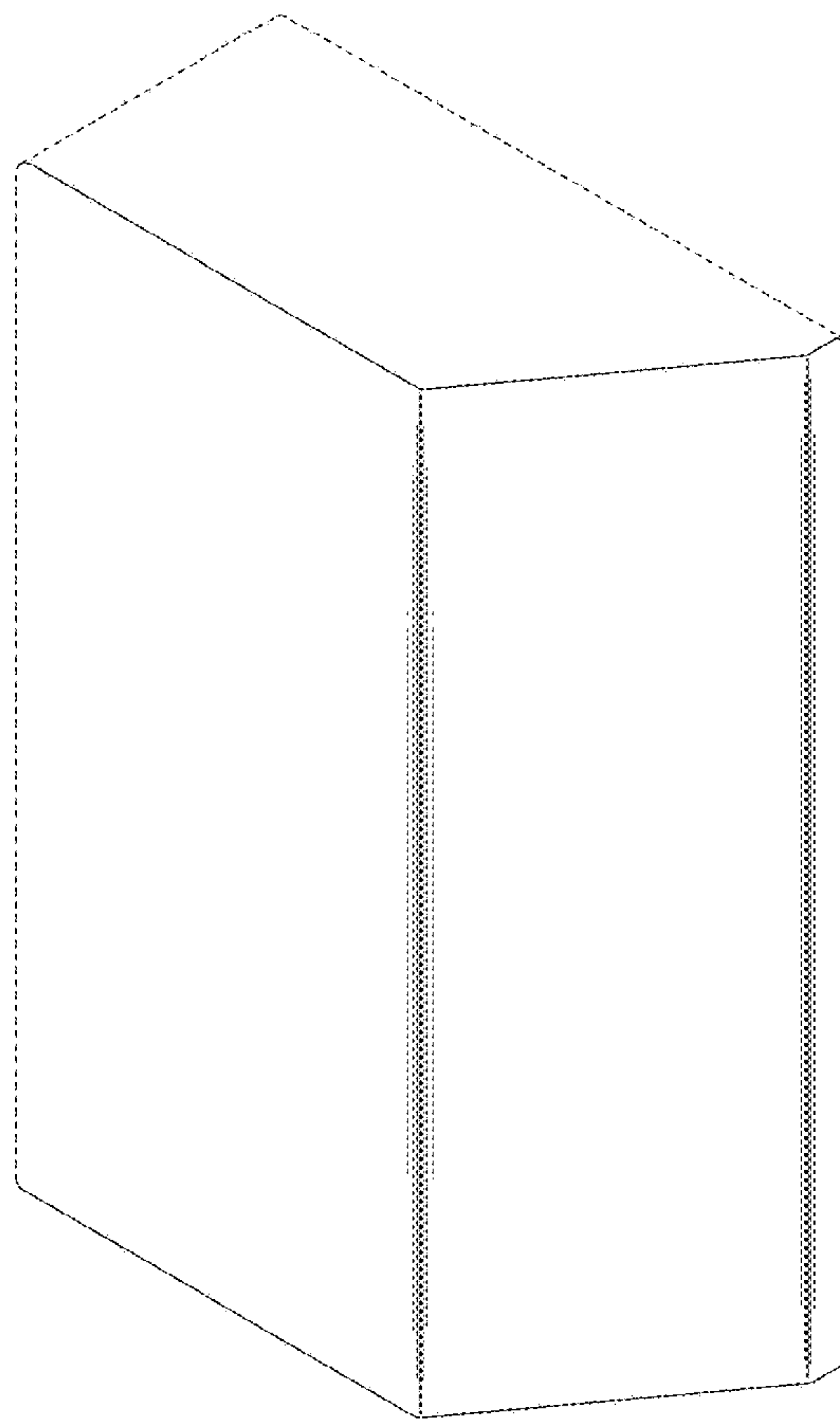


FIG. 1

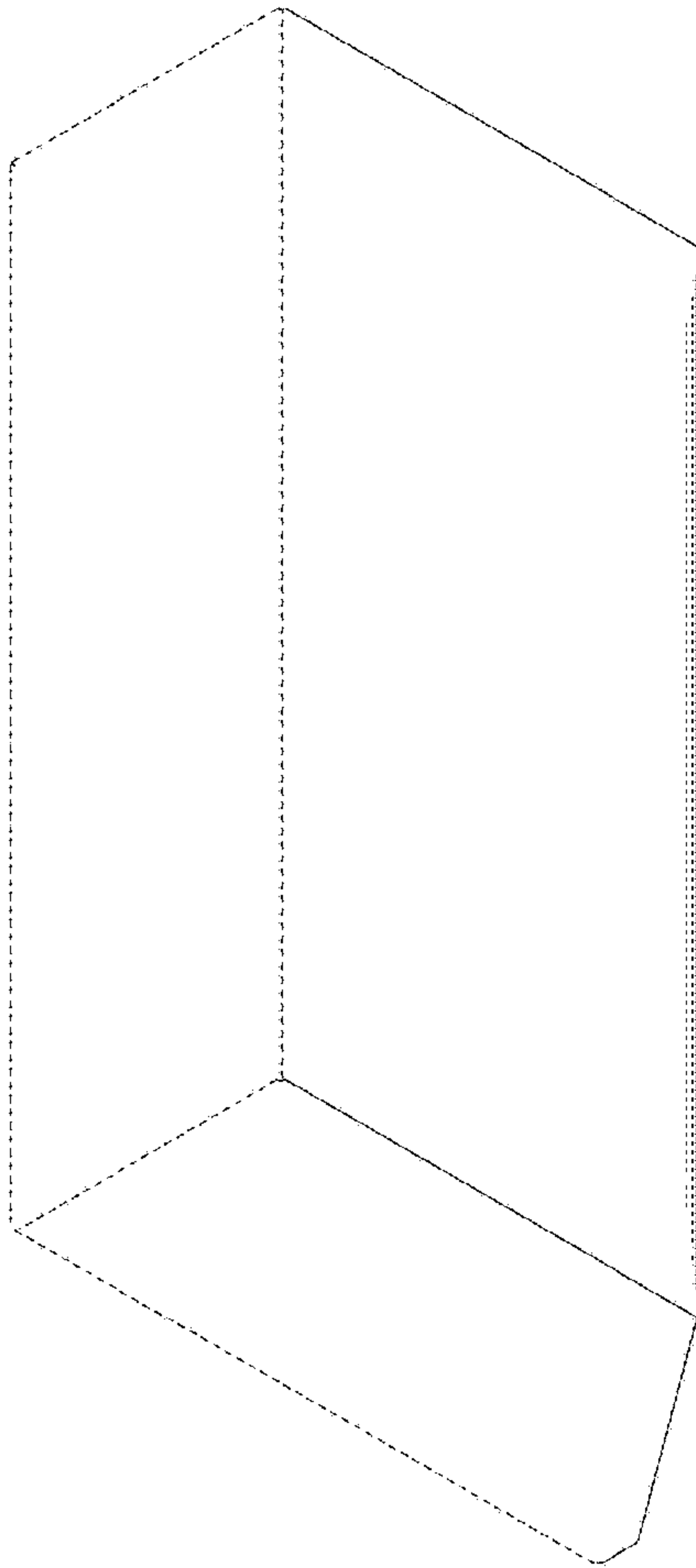


FIG. 2

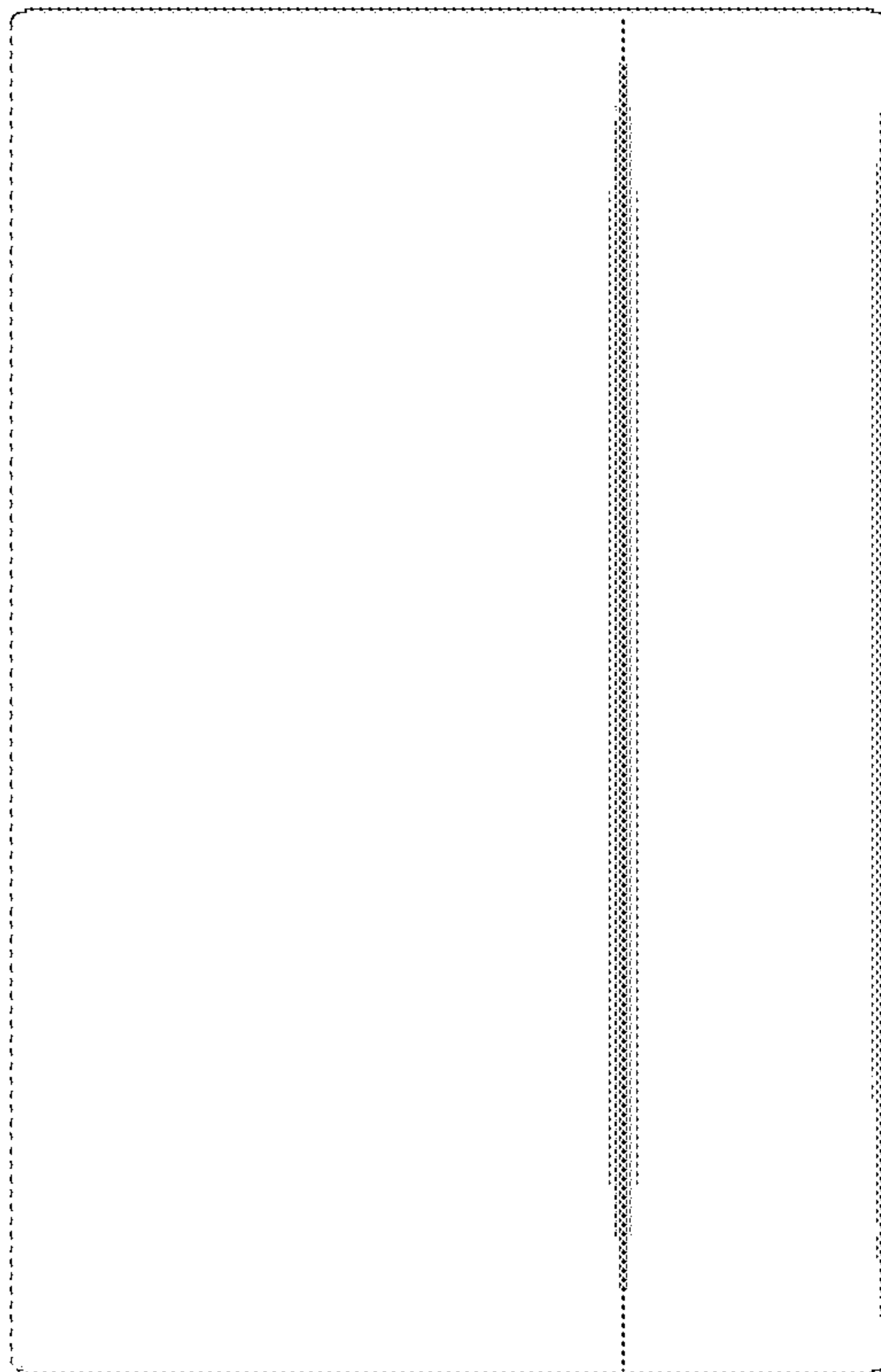


FIG. 3

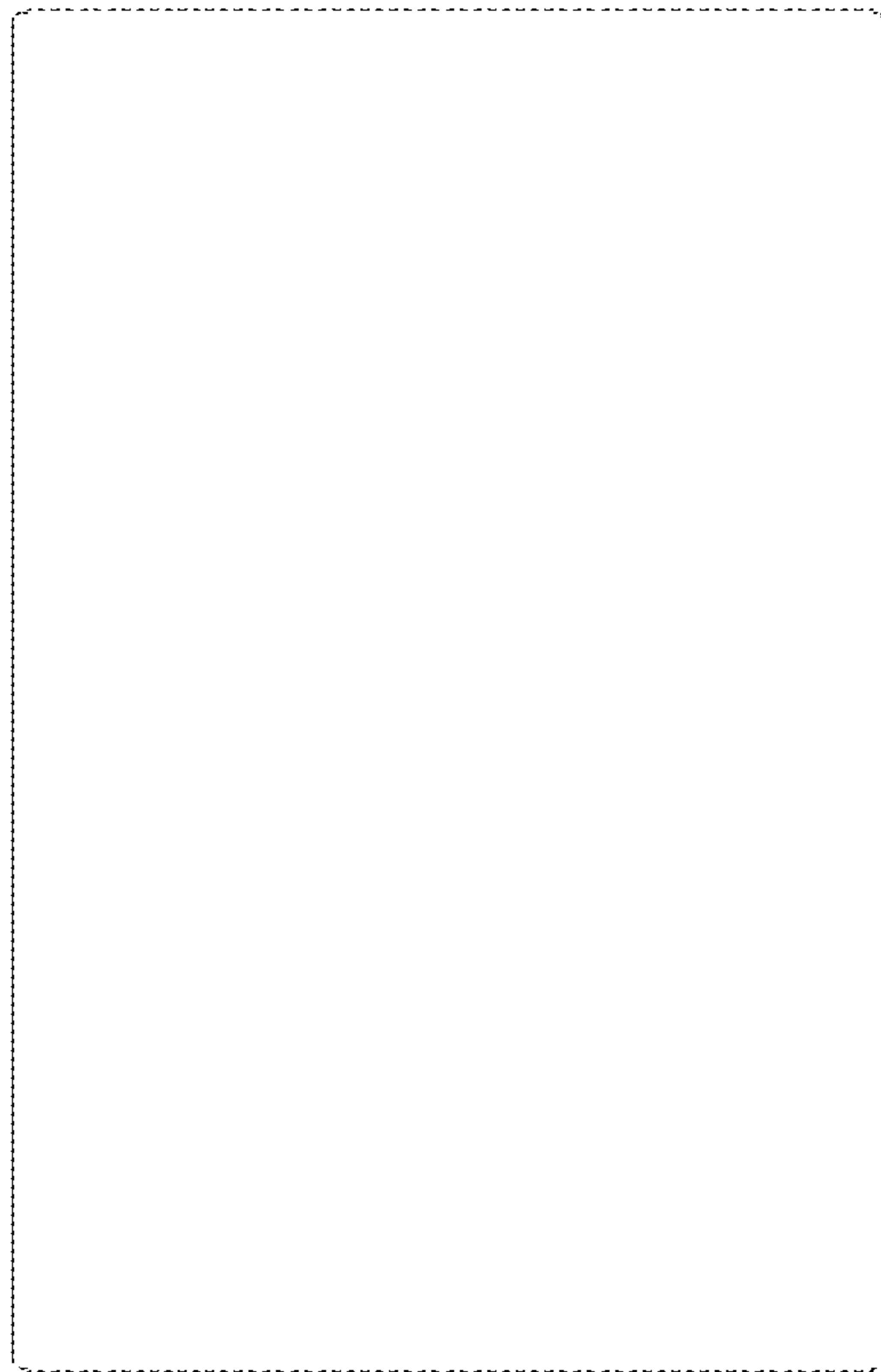


FIG. 4

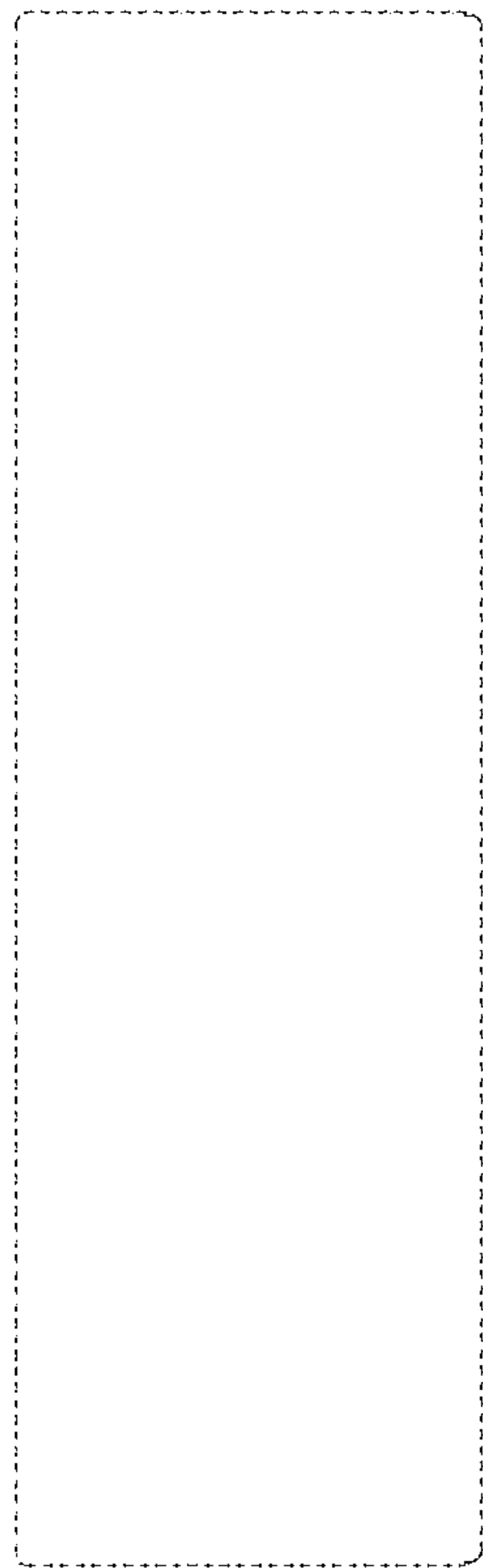


FIG. 5

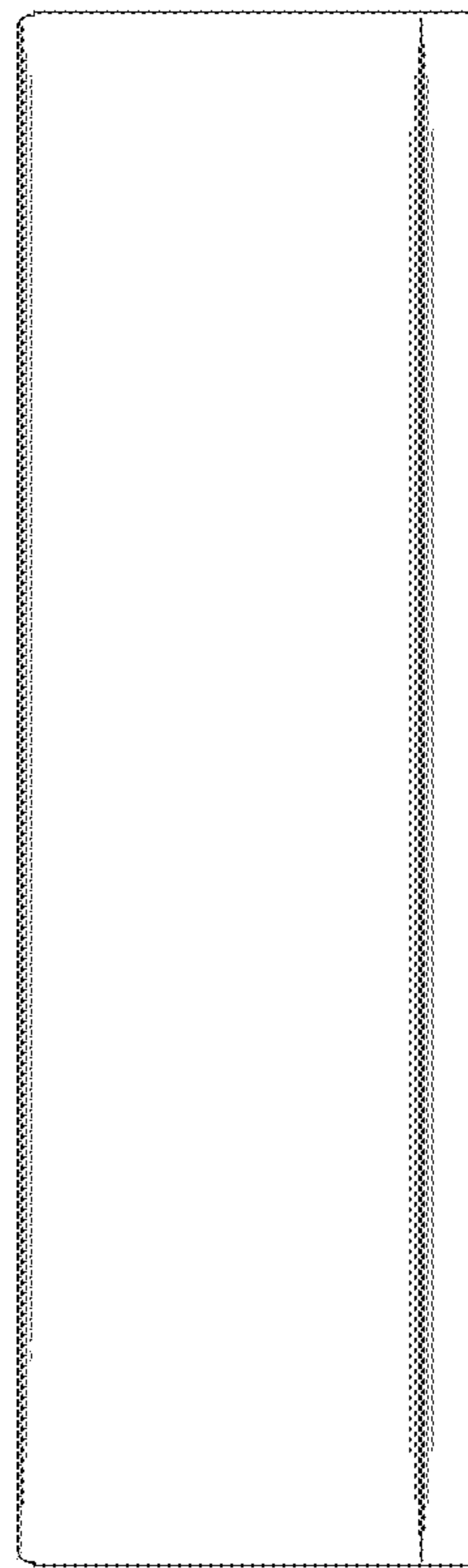


FIG. 6

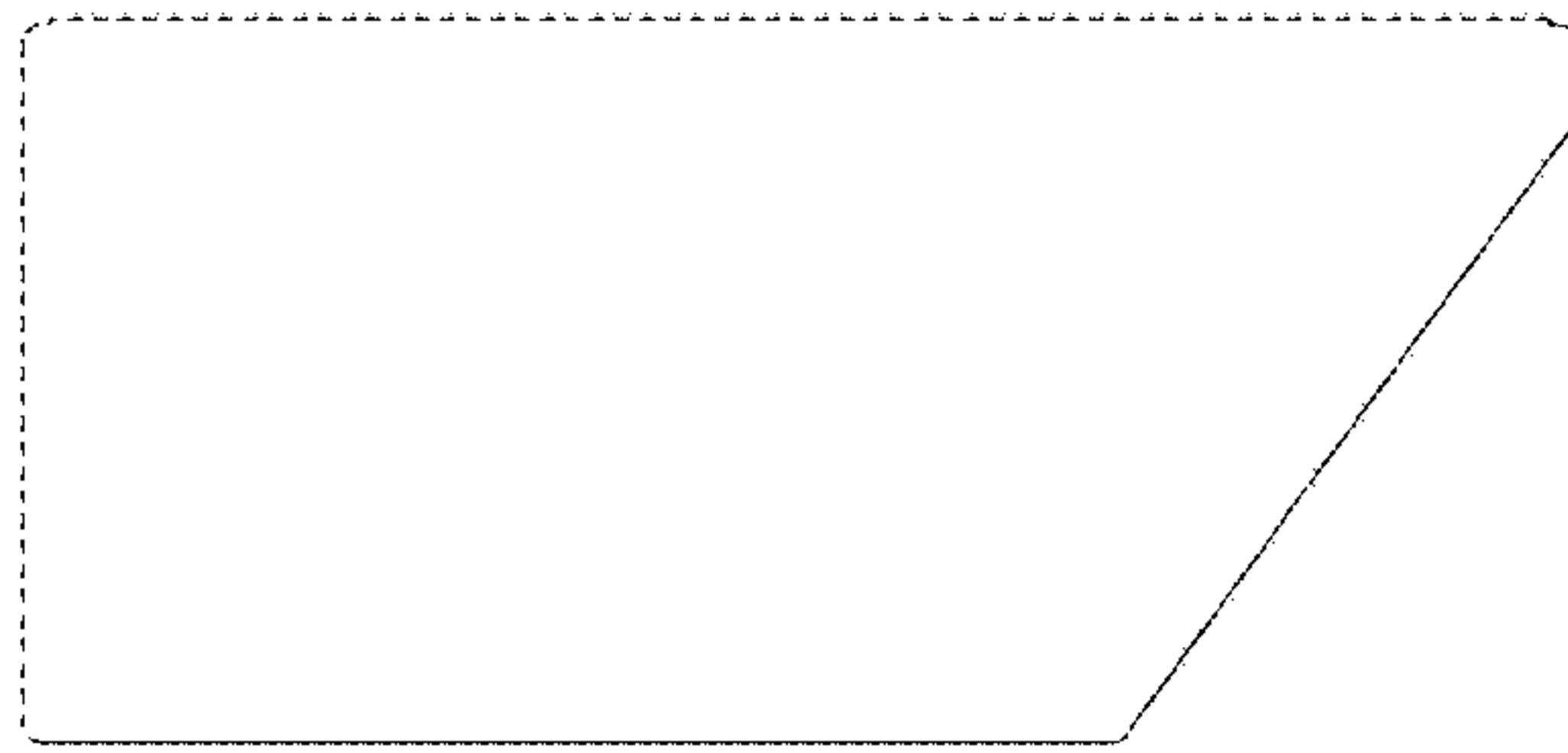


FIG. 7

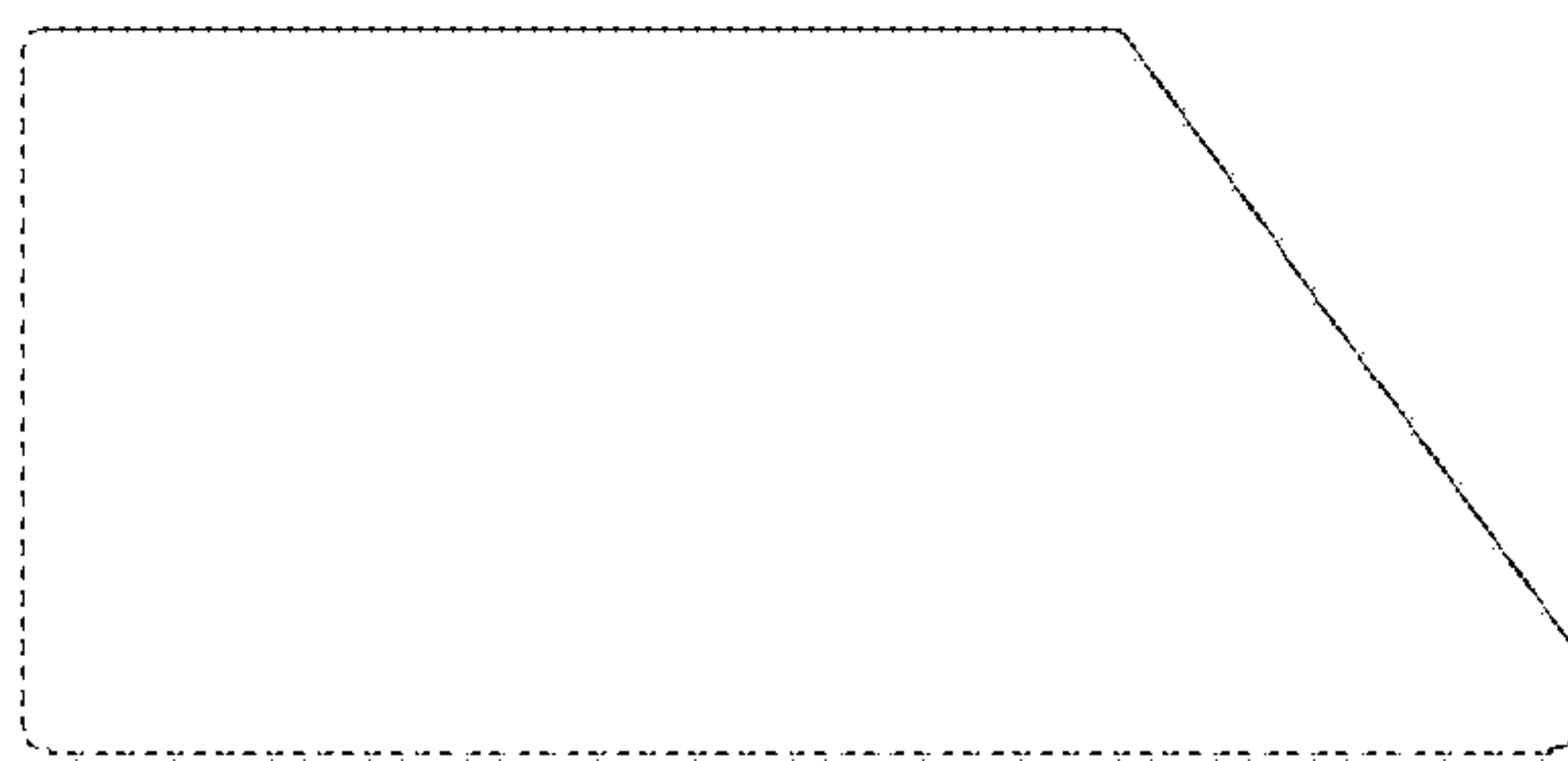


FIG. 8

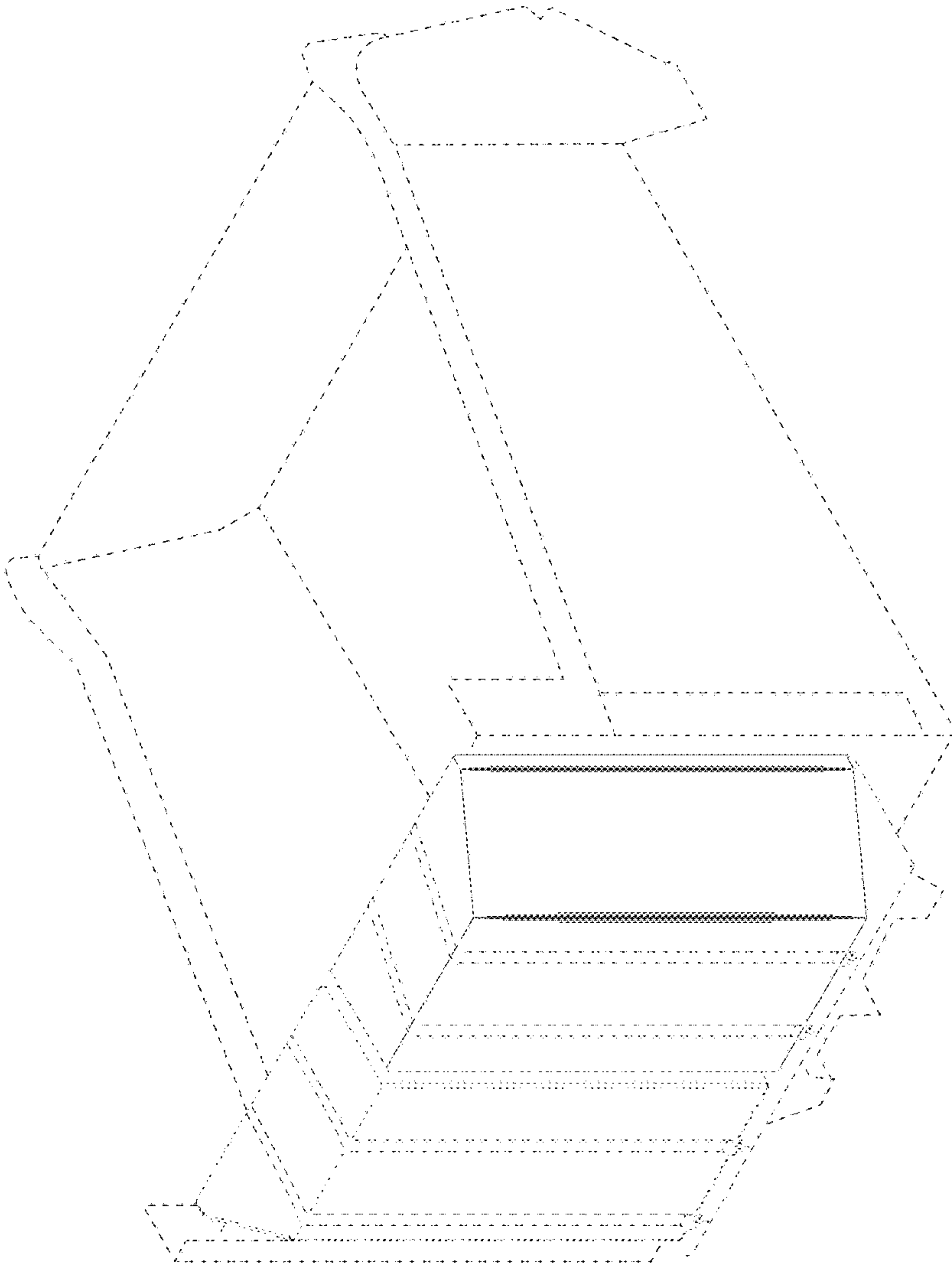


FIG. 9

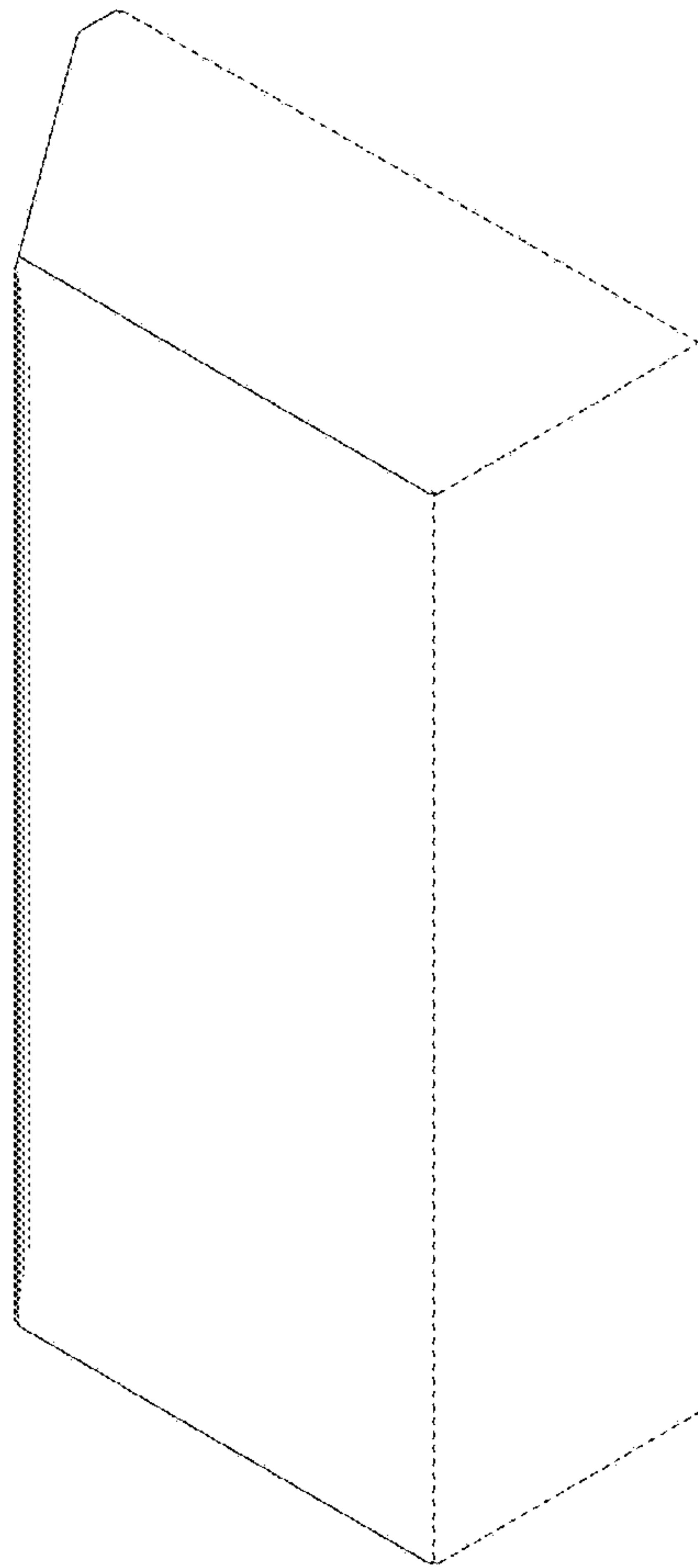


FIG. 10

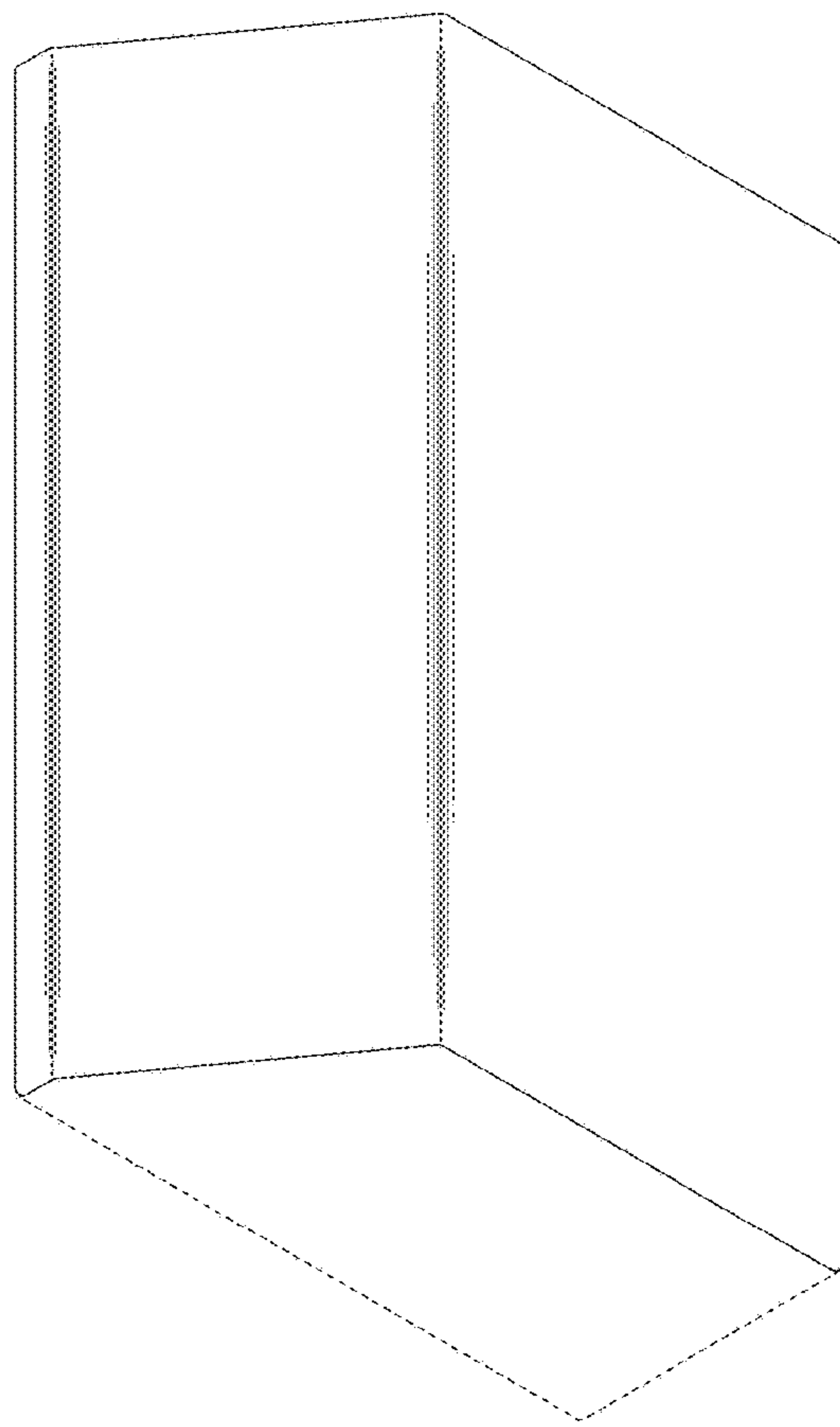


FIG. 11

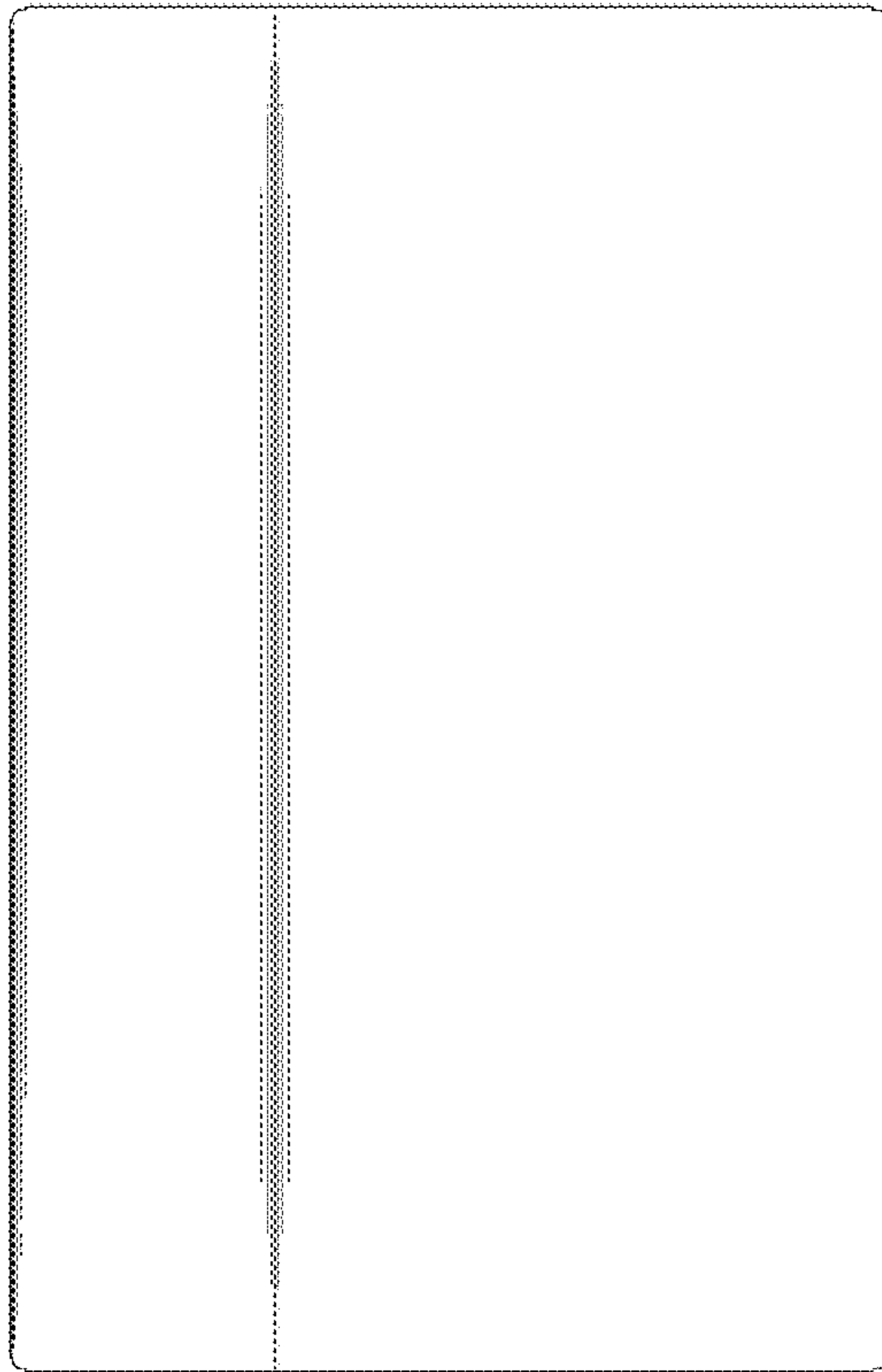


FIG. 12

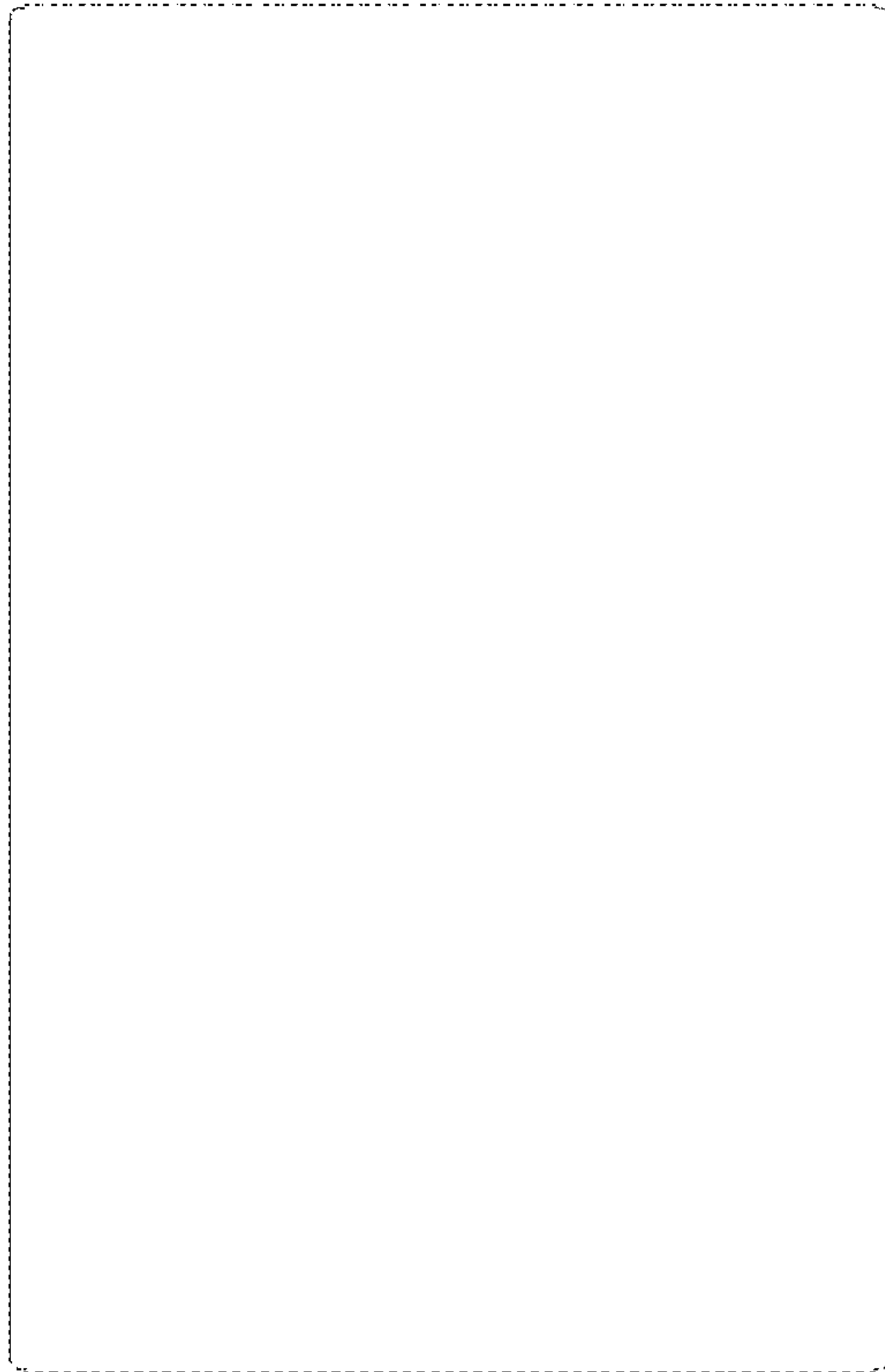


FIG. 13

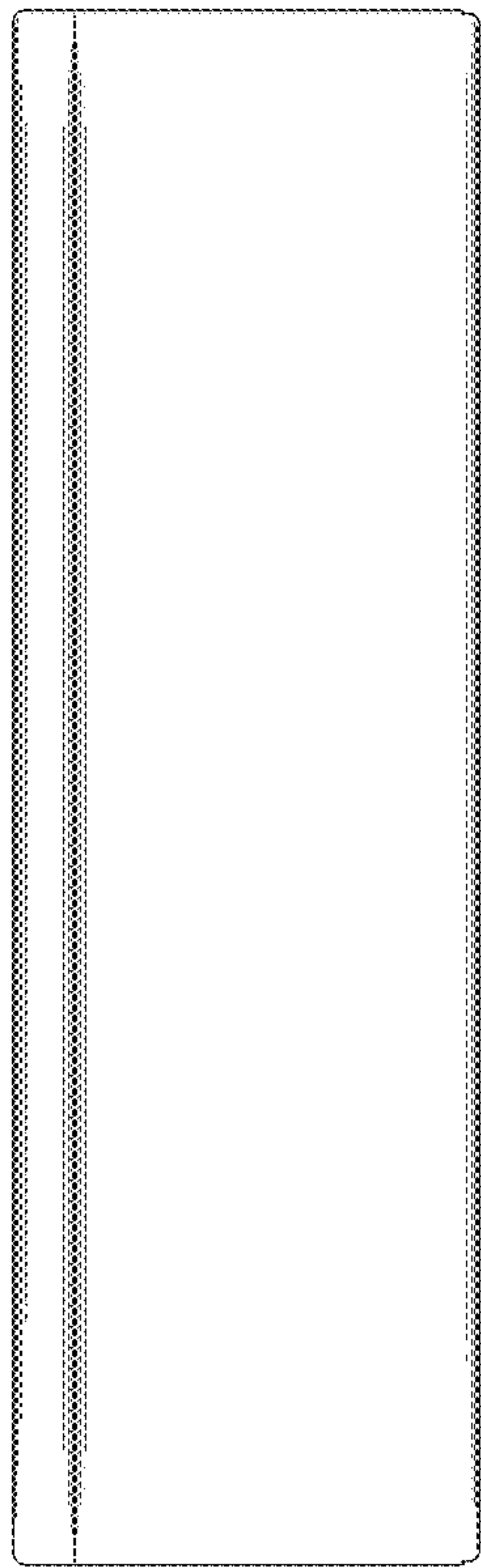


FIG. 14

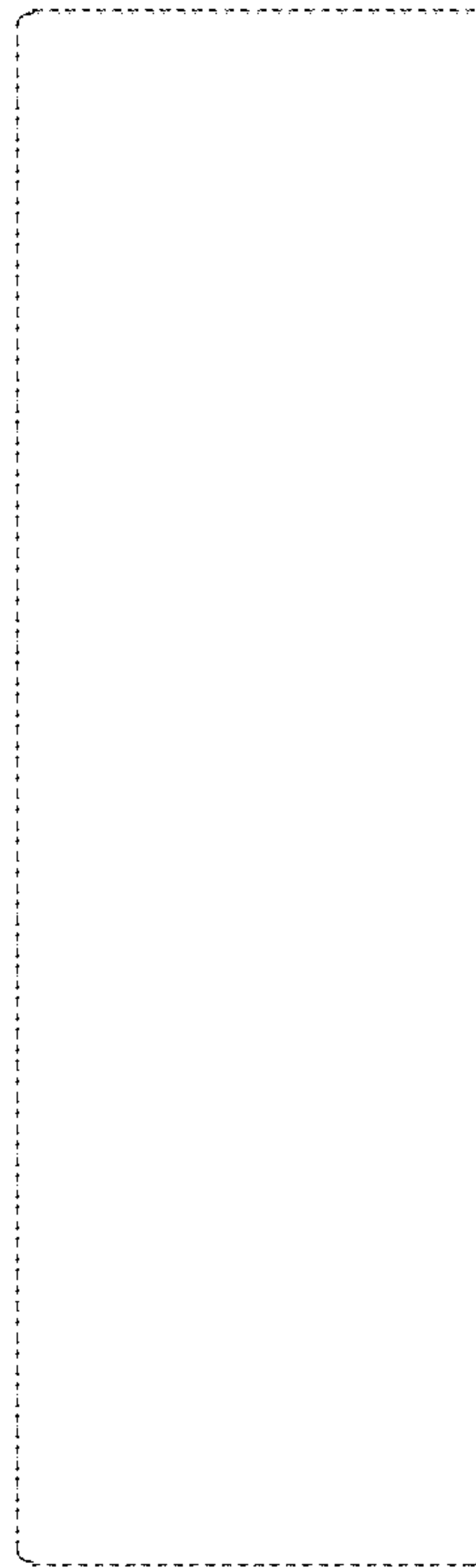


FIG. 15

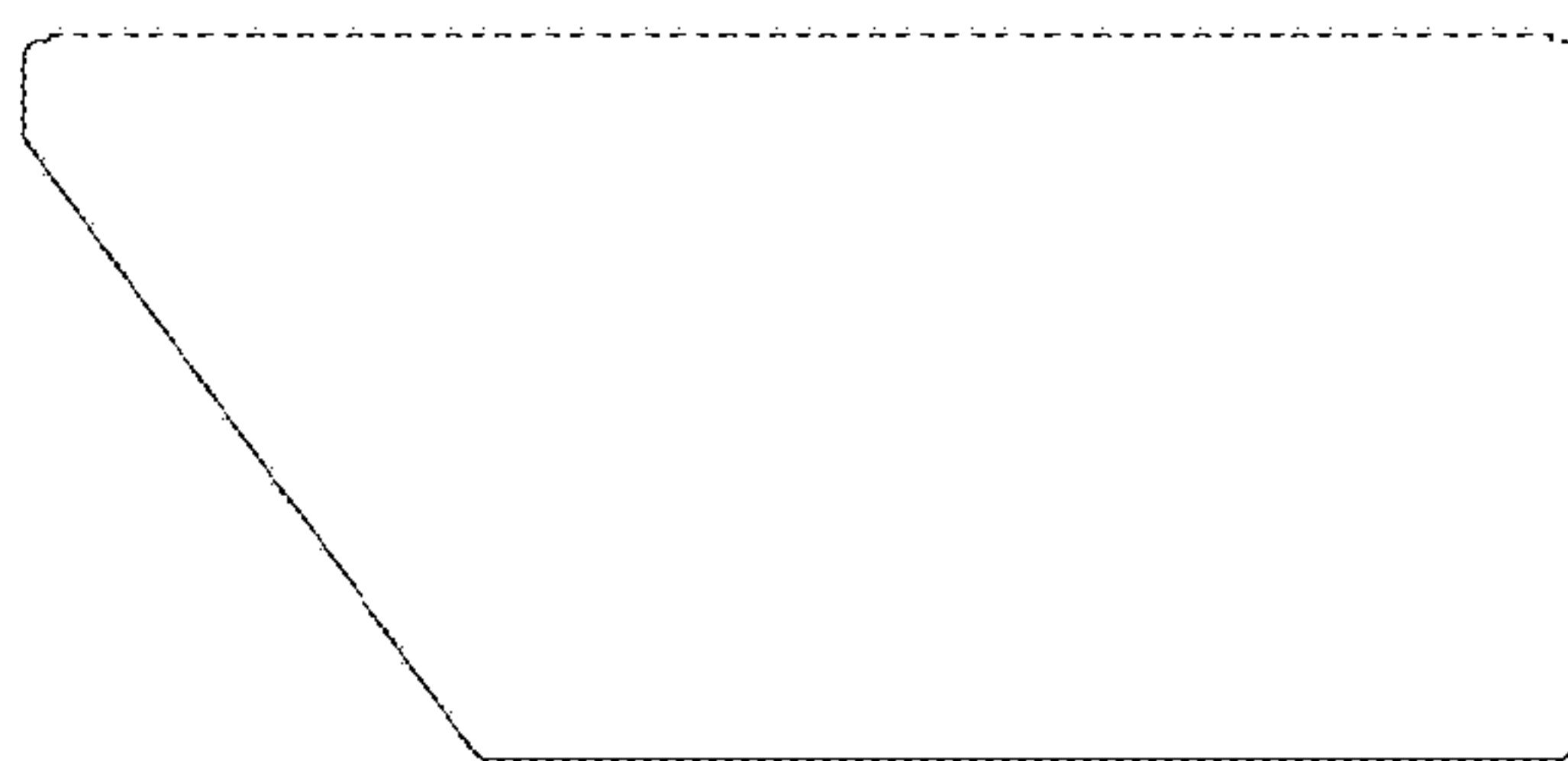


FIG. 16

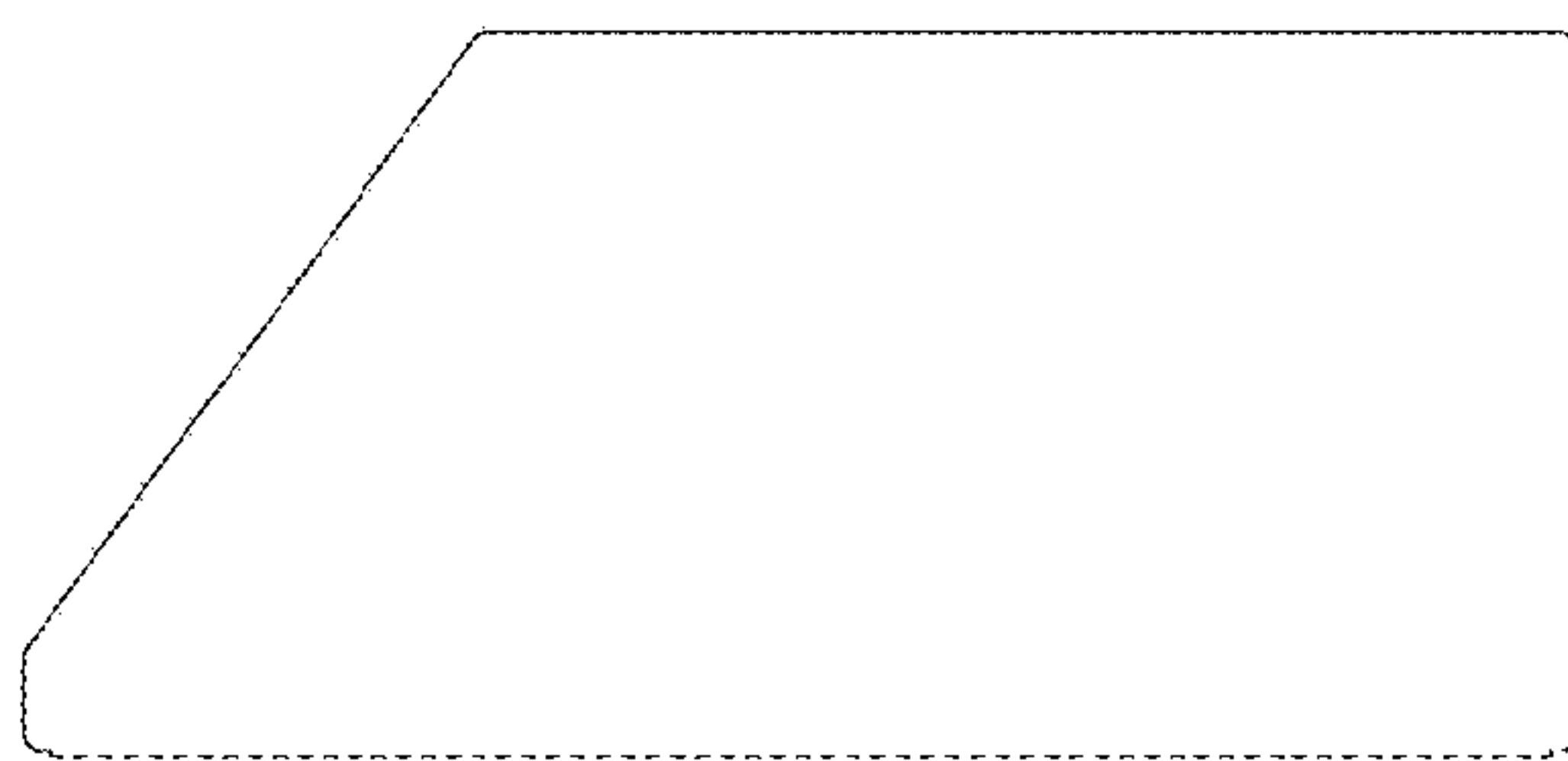


FIG. 17

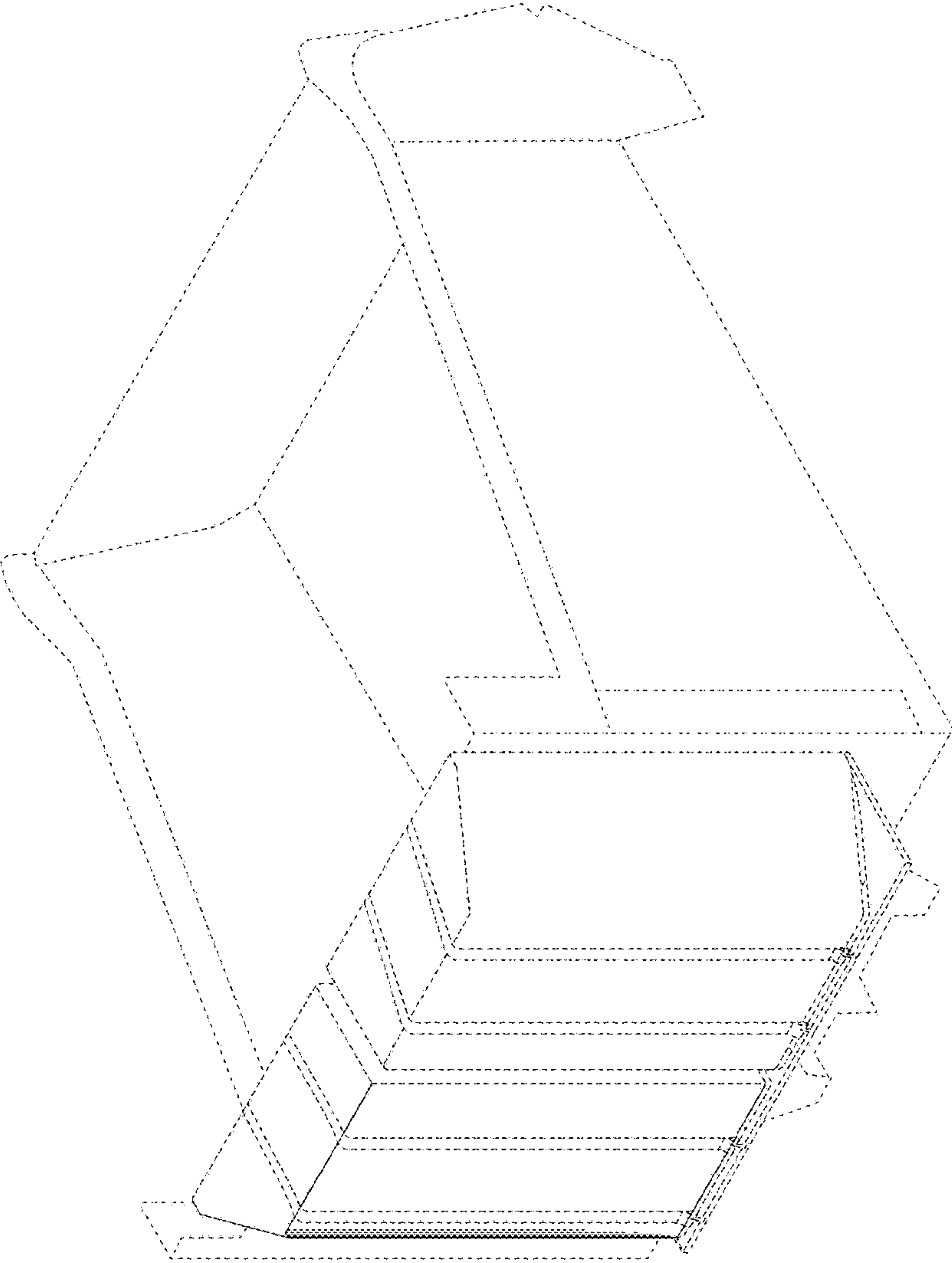


FIG. 18