



US00D840258S

(12) **United States Design Patent** (10) **Patent No.:** **US D840,258 S**  
**Scalisi** (45) **Date of Patent:** **\*\* Feb. 12, 2019**

(54) **DOORBELL**  
(71) Applicant: **SkyBell Technologies, Inc.**, Irvine, CA (US)  
(72) Inventor: **Joseph Frank Scalisi**, Yorba Linda, CA (US)  
(73) Assignee: **SkyBell Technologies, Inc.**, Irvine, CA (US)

D404,673 S 1/1999 Gordon  
D418,770 S 1/2000 Ragan  
6,016,677 A 1/2000 Clark  
D422,521 S 4/2000 Morrow  
D422,893 S 4/2000 Heredos-Formby  
D435,576 S 12/2000 McBride  
D435,577 S 12/2000 McBride  
(Continued)

(\*\*) Term: **15 Years**

(21) Appl. No.: **29/589,510**

(22) Filed: **Jan. 2, 2017**

(51) **LOC (11) Cl.** ..... **10-05**

(52) **U.S. Cl.**  
USPC ..... **D10/118.2**

(58) **Field of Classification Search**  
USPC ..... D10/104.1, 108, 116.1, 118, 118.2,  
D10/121-126; D16/202, 203, 208, 209,  
D16/215  
CPC ... G08B 3/00; G08B 3/10; G08B 7/00; G08B  
7/06  
See application file for complete search history.

(56) **References Cited**

**U.S. PATENT DOCUMENTS**

D179,803 S 3/1957 Gillette  
D215,375 S \* 9/1969 Daggert ..... D10/118  
D225,379 S 12/1972 Gallagher  
D283,130 S 3/1986 Boenning  
D297,222 S 8/1988 Rauch  
5,127,244 A 7/1992 Myers  
D344,036 S 2/1994 Yuen  
5,345,794 A 9/1994 Jenks  
D371,086 S 6/1996 Collins  
D381,638 S 7/1997 Kruse  
5,671,624 A 9/1997 Sivils  
D392,987 S 3/1998 Sakata  
D395,814 S 7/1998 Yang

**OTHER PUBLICATIONS**

MySkyBell.com (later SkyBell.com)—Downloaded on Nov. 18, 2013 from <http://www.myskybell.com>.

(Continued)

*Primary Examiner* — George D. Kirschbaum

*Assistant Examiner* — Joseph J Kukella

(57) **CLAIM**

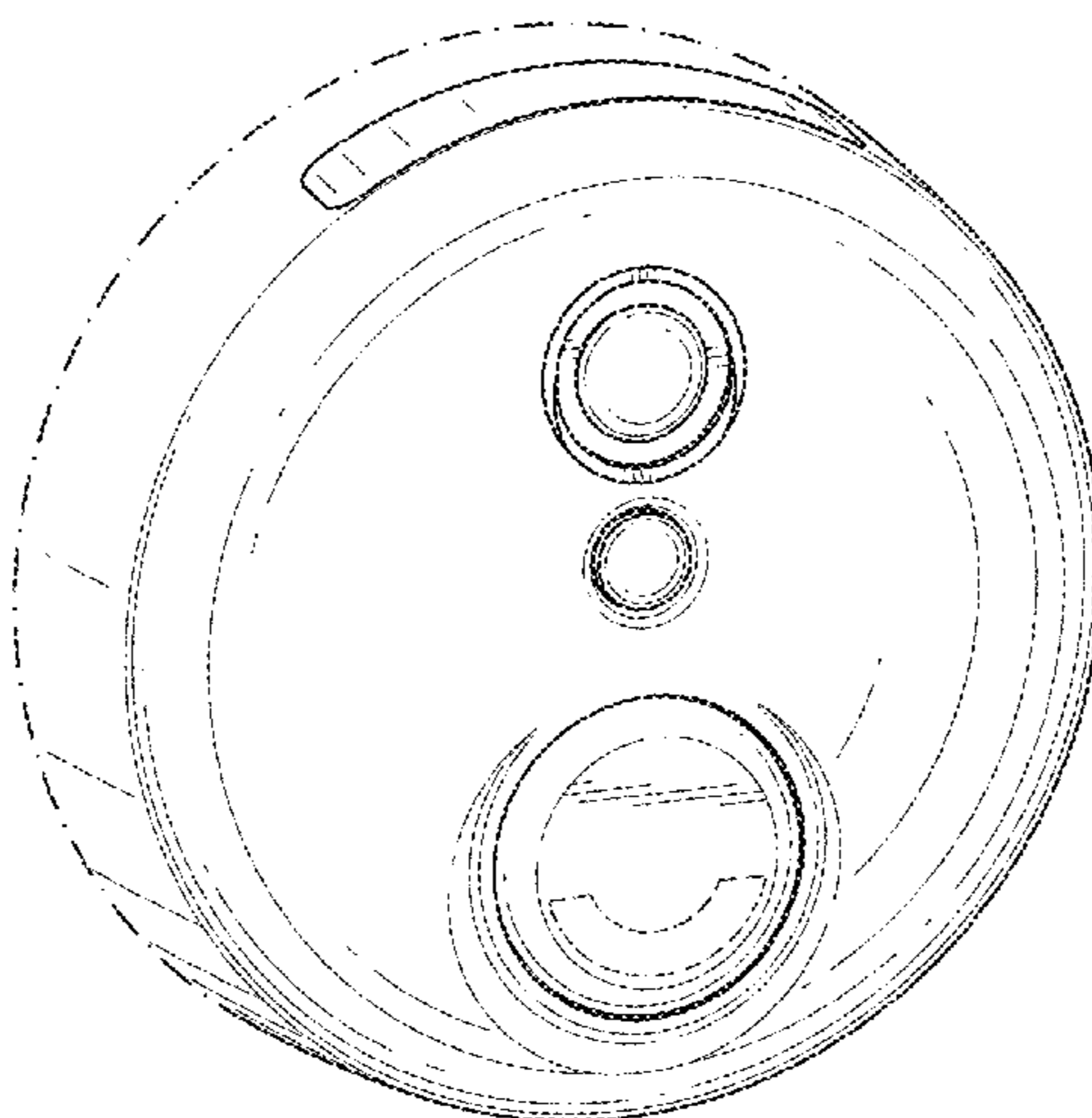
The ornamental design for a doorbell, as shown and described.

**DESCRIPTION**

FIG. 1 is a front, side, and top perspective view of a doorbell embodying the new design;  
FIG. 2 is a back, side, and bottom perspective view thereof;  
FIG. 3 is a front view thereof;  
FIG. 4 is a back view thereof;  
FIG. 5 is a first side view thereof  
FIG. 6 is a second side view thereof;  
FIG. 7 is a top view thereof; and,  
FIG. 8 is a bottom view thereof.

The broken lines depict portions of a doorbell in which the design is embodied and form no part of the claimed design. The broken line forming an outer edge line at the back portion of a doorbell (e.g., broken line shown in FIGS. 5-6) represents the boundary of the claimed design while all other broken lines are directed to environment and are for illustrative purposes only.

**1 Claim, 4 Drawing Sheets**



(56)

References Cited

U.S. PATENT DOCUMENTS

D442,617 S	5/2001	Ohmori	8,937,659 B1	1/2015	Skybell	
D455,767 S	4/2002	Tsang	8,941,736 B1	1/2015	Skybell	
D455,768 S	4/2002	Tsang	D722,318 S	2/2015	Moore	
D465,532 S	11/2002	Hussaini	D722,319 S	2/2015	Moore	
D479,720 S	9/2003	Ohashi	D722,611 S	2/2015	Moore	
D480,741 S	10/2003	Berger	D722,709 S	2/2015	Bosua	
D487,939 S	3/2004	Smith	8,947,530 B1	2/2015	Skybell	
D489,323 S	5/2004	Yoshida	8,953,040 B1	2/2015	Skybell	
D494,287 S	8/2004	Matsui	D725,670 S	3/2015	Zhang	
6,812,970 B1	11/2004	McBride	D727,769 S	4/2015	Skybell	
D500,751 S	1/2005	Yukikado	D727,989 S	4/2015	Hasuda	
D509,842 S	9/2005	Ou	9,013,575 B2	4/2015	Skybell	
7,015,943 B2	3/2006	Chiang	D728,601 S	5/2015	Angelides	
D519,100 S	4/2006	Shioya	D728,655 S	5/2015	Daniel	
D522,490 S	6/2006	Yukikado	D729,678 S	5/2015	Skybell	
D525,963 S	8/2006	Yukikado	D729,859 S	5/2015	Shin	
7,113,578 B2	9/2006	Unger	D732,547 S	6/2015	McClelland	
D531,160 S	10/2006	Yukikado	9,049,352 B2	6/2015	Skybell	
D534,566 S	1/2007	Ishii	9,055,202 B1	6/2015	Skybell	
D537,095 S	2/2007	Alden	9,058,738 B1	6/2015	Skybell	
D562,306 S	2/2008	Jeong	9,060,103 B2	6/2015	Skybell	
D574,742 S	8/2008	Spencer	9,060,104 B2	6/2015	Skybell	
D575,316 S	8/2008	Liu	9,065,987 B2	6/2015	Skybell	
D577,301 S	9/2008	Johnson	D733,780 S	7/2015	Chen	
D588,574 S	3/2009	Takahata	D734,801 S	7/2015	Yang	
D592,231 S	5/2009	Schnell	9,094,584 B2	7/2015	Skybell	
D594,311 S	6/2009	Stevens	D736,294 S	8/2015	Skybell	
D595,260 S	6/2009	Takahata	D737,283 S	8/2015	Skybell	
D605,542 S	12/2009	Ho	9,113,051 B1	8/2015	Skybell	
D619,157 S	7/2010	Kim	9,113,052 B1	8/2015	Skybell	
D633,921 S	3/2011	Brinda	9,118,819 B1	8/2015	Skybell	
D634,181 S	3/2011	Kang	9,142,214 B2	9/2015	Skybell	
D636,286 S	4/2011	Khor	9,143,343 B2	9/2015	Kim	
D638,853 S	5/2011	Brinda	D740,873 S	10/2015	Skybell	
D645,071 S	9/2011	Hinkel	D741,866 S	10/2015	Ballout	
D646,801 S	10/2011	Chou	9,160,987 B1	10/2015	Skybell	
D647,946 S	11/2011	Raken	9,165,444 B2	10/2015	Skybell	
D657,410 S	4/2012	Helaoui	9,172,920 B1	10/2015	Kskybell	
D660,819 S	5/2012	Chen	9,172,921 B1	10/2015	Skybell	
D664,178 S	7/2012	Hinkel	9,172,922 B1	10/2015	Skybell	
D664,554 S	7/2012	Nenoki	D743,415 S	11/2015	Pfriem	
D666,995 S	9/2012	Termeer	9,179,107 B1	11/2015	Skybell	
8,334,656 B2	12/2012	Weiss	9,179,108 B1	11/2015	Skybell	
D677,297 S	3/2013	Bart	9,179,109 B1	11/2015	Skybell	
D679,309 S	4/2013	Park	9,196,133 B2	11/2015	Skybell	
D682,658 S	5/2013	Cramer	9,197,867 B1	11/2015	Skybell	
D687,446 S	8/2013	Arnold	D745,050 S	12/2015	Kwon	
D687,841 S	8/2013	Arnold	D745,080 S	12/2015	Masano	
D689,220 S	9/2013	Zhang	D745,546 S	12/2015	Johnson	
D689,536 S	9/2013	Li	D747,384 S *	1/2016	Scalisi .....	D10/118.2
D692,847 S	11/2013	Barley	D747,385 S *	1/2016	Scalisi .....	D10/118.2
D693,839 S	11/2013	Hally	D747,640 S	1/2016	Scalisi	
D694,305 S	11/2013	Katori	D748,178 S *	1/2016	Scalisi .....	D10/118.2
D694,306 S	11/2013	Katori	D748,179 S *	1/2016	Scalisi .....	D10/118.2
D701,521 S	3/2014	Kim	9,237,318 B2	1/2016	Kasmir	
D705,246 S	5/2014	Ranz	9,243,455 B2	1/2016	Harrison	
D705,794 S	5/2014	Ranz	9,247,219 B2	1/2016	Kasmir	
D707,697 S	6/2014	Ranz	D750,112 S	2/2016	Kim	
D709,754 S	7/2014	Lylyk	D751,446 S	3/2016	Lin	
8,780,201 B1	7/2014	Skybell	D752,076 S	3/2016	Guesnon, Jr.	
D710,377 S	8/2014	Rydenhag	D753,664 S	4/2016	McLelland	
D710,676 S	8/2014	Kiechel	9,342,936 B2	5/2016	Scalisi	
D710,727 S	8/2014	Siminoff	D766,121 S *	9/2016	Scalisi .....	D10/118.2
D710,728 S	8/2014	Siminoff	D776,180 S *	1/2017	Fiedler .....	D16/202
D711,275 S	8/2014	Skybell	2004/0124978 A1	7/2004	Chen	
D711,903 S	8/2014	Mishra	2007/0067798 A1	3/2007	Wroblewski	
8,823,795 B1	9/2014	Skybell	2008/0036862 A1	2/2008	Lang	
8,834,044 B2	9/2014	Uehara	2011/0156566 A1	6/2011	Chen	
8,842,180 B1	9/2014	Skybell	2013/0045763 A1	2/2013	Ruiz	
8,872,915 B1	10/2014	Skybell	2014/0125754 A1	5/2014	Haywood	
D719,205 S	12/2014	Matsumoto	2014/0157329 A1	6/2014	Roberts	
D719,994 S	12/2014	Wang	2015/0022618 A1	1/2015	Siminoff	
D720,363 S	12/2014	Ranz	2015/0049191 A1	2/2015	Skybell	
D720,764 S	1/2015	Lee	2015/0082172 A1	3/2015	Shakib	
D721,755 S	1/2015	Åhman	2015/0319411 A1	11/2015	Kasmir	
			2015/0341603 A1	11/2015	Kasmir	
			2015/0358515 A1	12/2015	Resnick	
			2016/0044287 A1	2/2016	Scalisi	
			2016/0070432 A1	3/2016	Caporal	

(56)

**References Cited**

U.S. PATENT DOCUMENTS

OTHER PUBLICATIONS

DefenDoor by Glate LLC—Downloaded on Dec. 11, 2014 from <https://www.kickstarter.com/projects/85455040/defendoor-a-home-security-system-that-syncs-with-y>.

EyeTalk—Downloaded on May 24, 2013 from <http://www.revolutionaryconceptsinc.com/forhome.html>.

August Smart Lock—Downloaded on Oct. 10, 2014 from [www.august.com](http://www.august.com).

\* cited by examiner

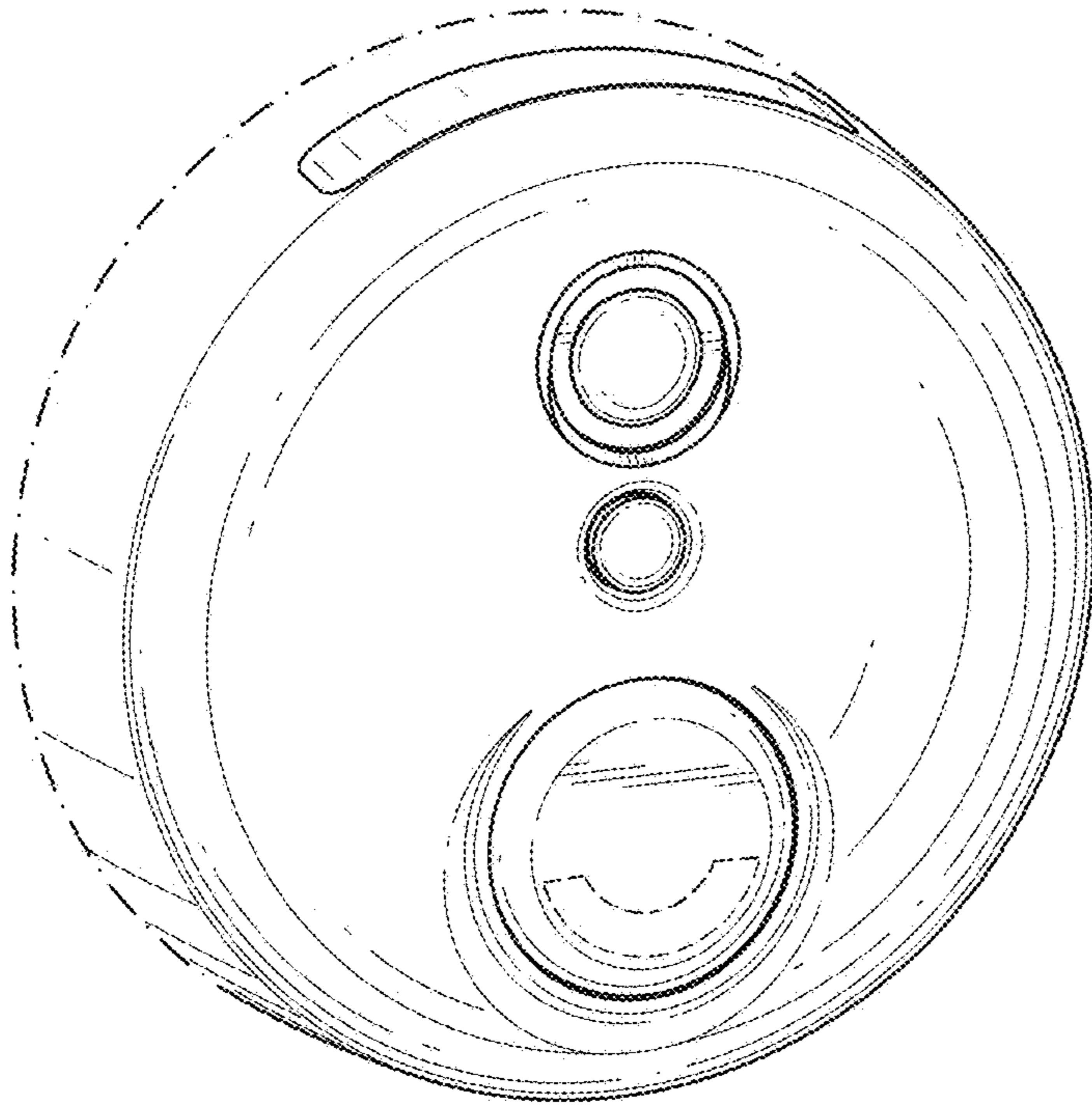


FIG. 1

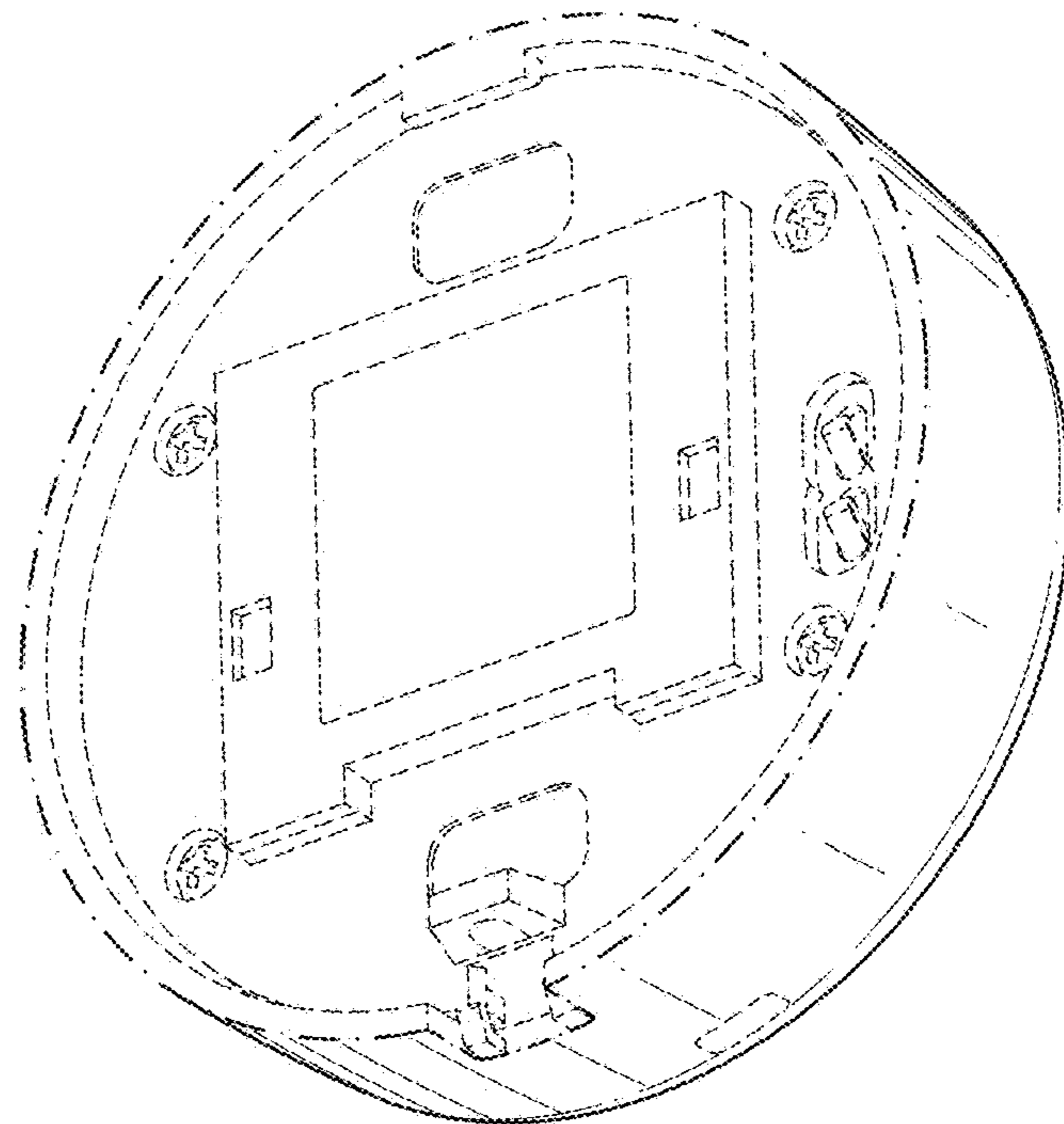


FIG. 2

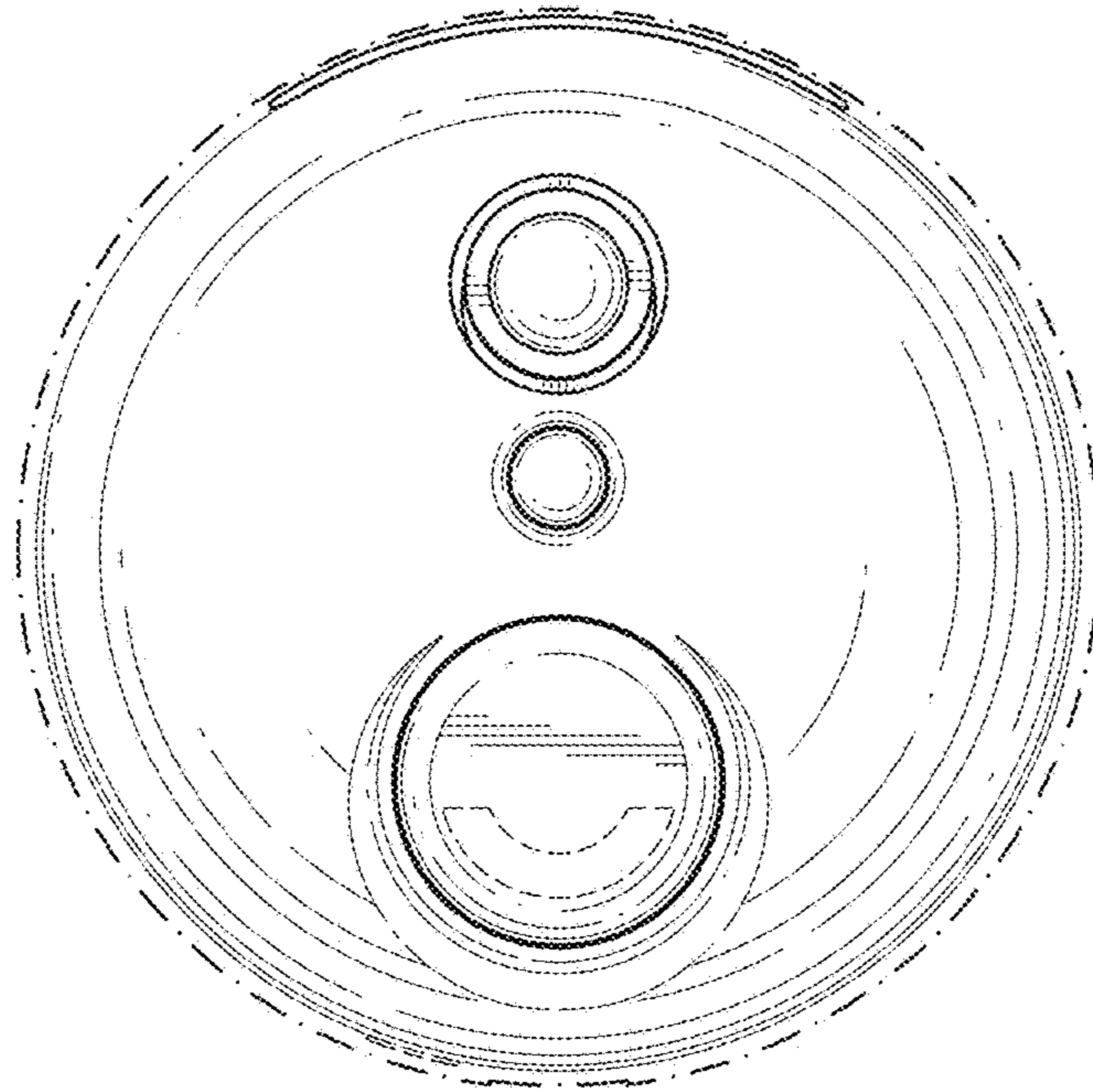


FIG. 3

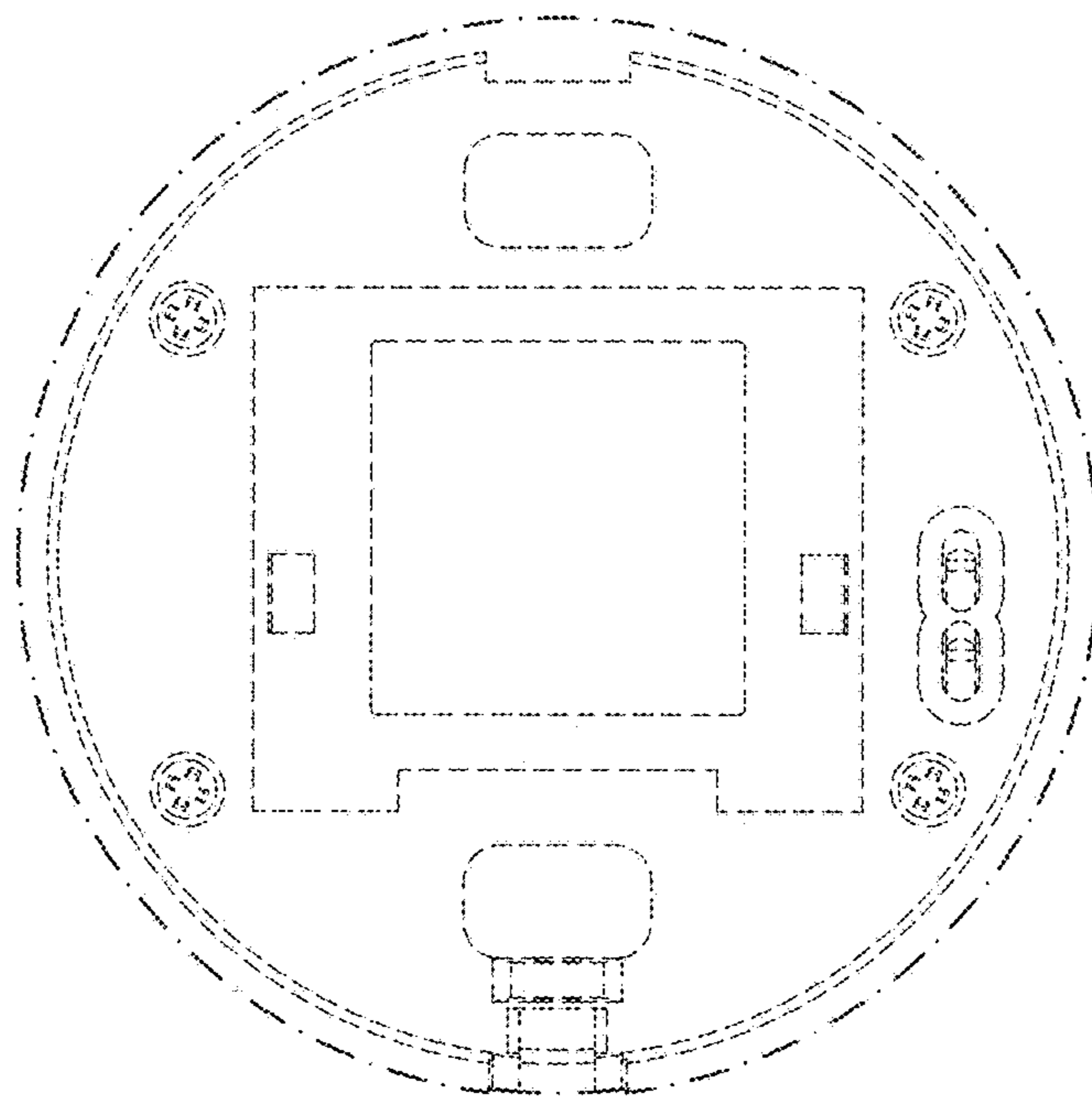
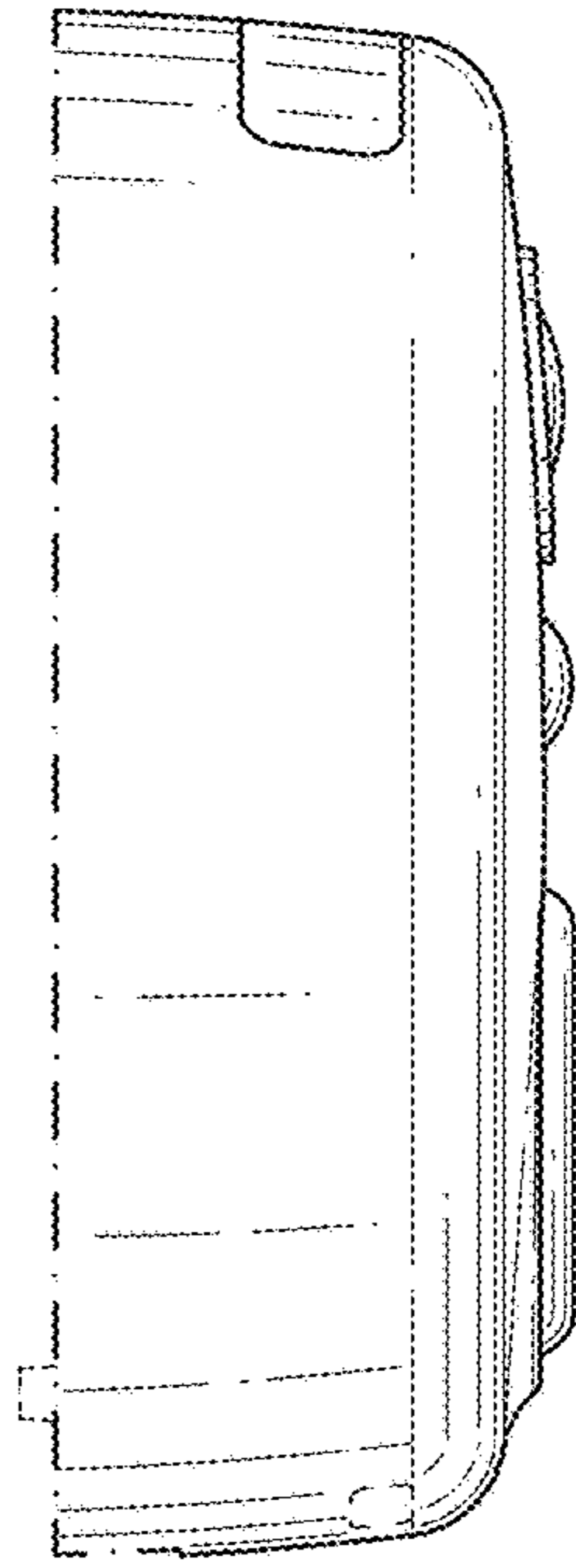
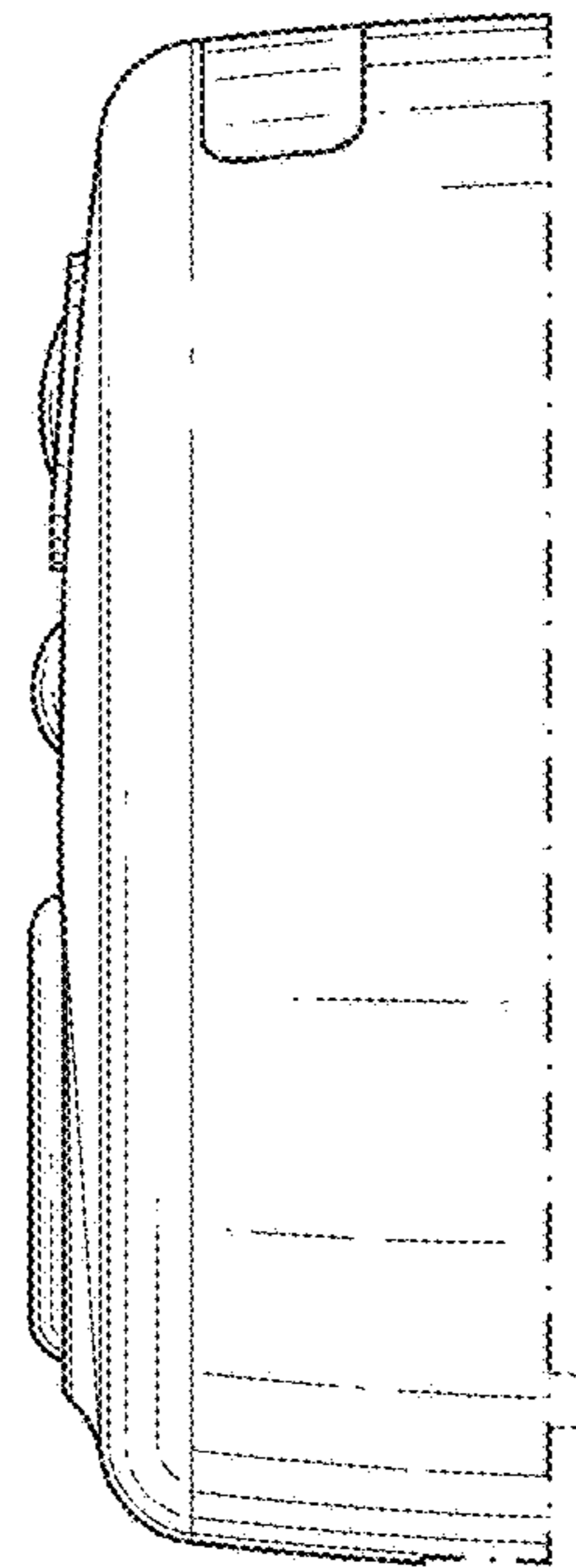


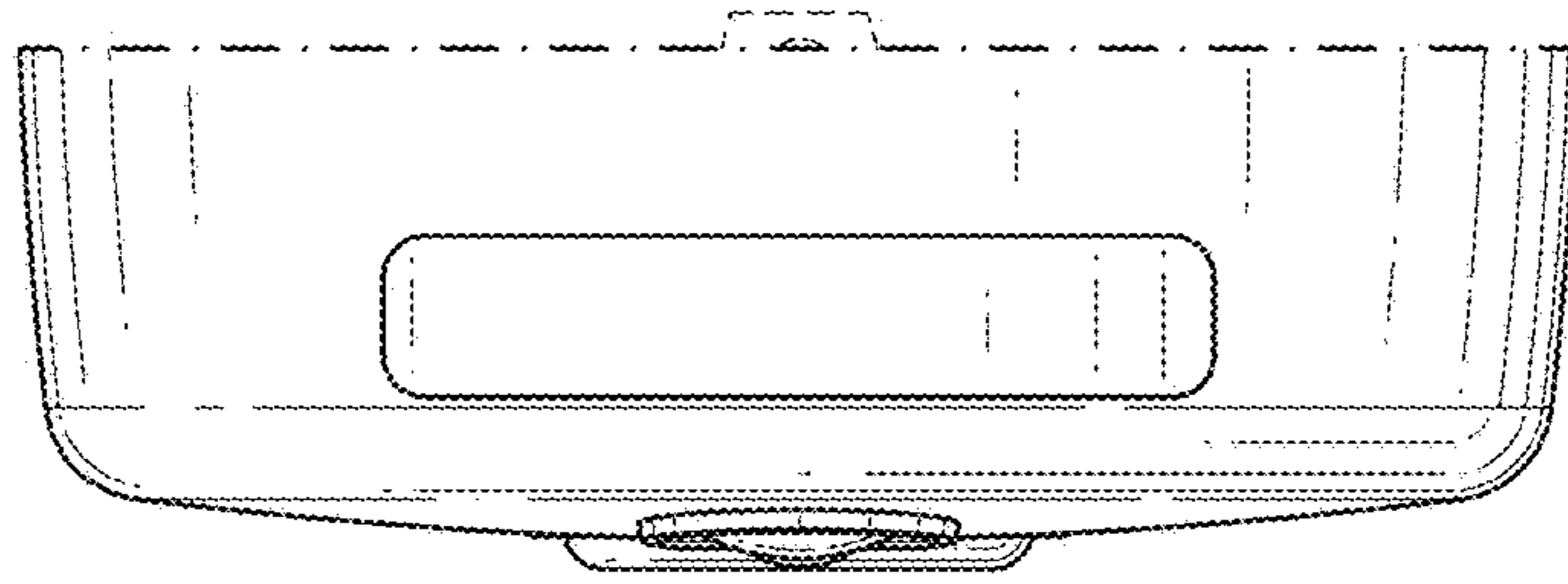
FIG. 4



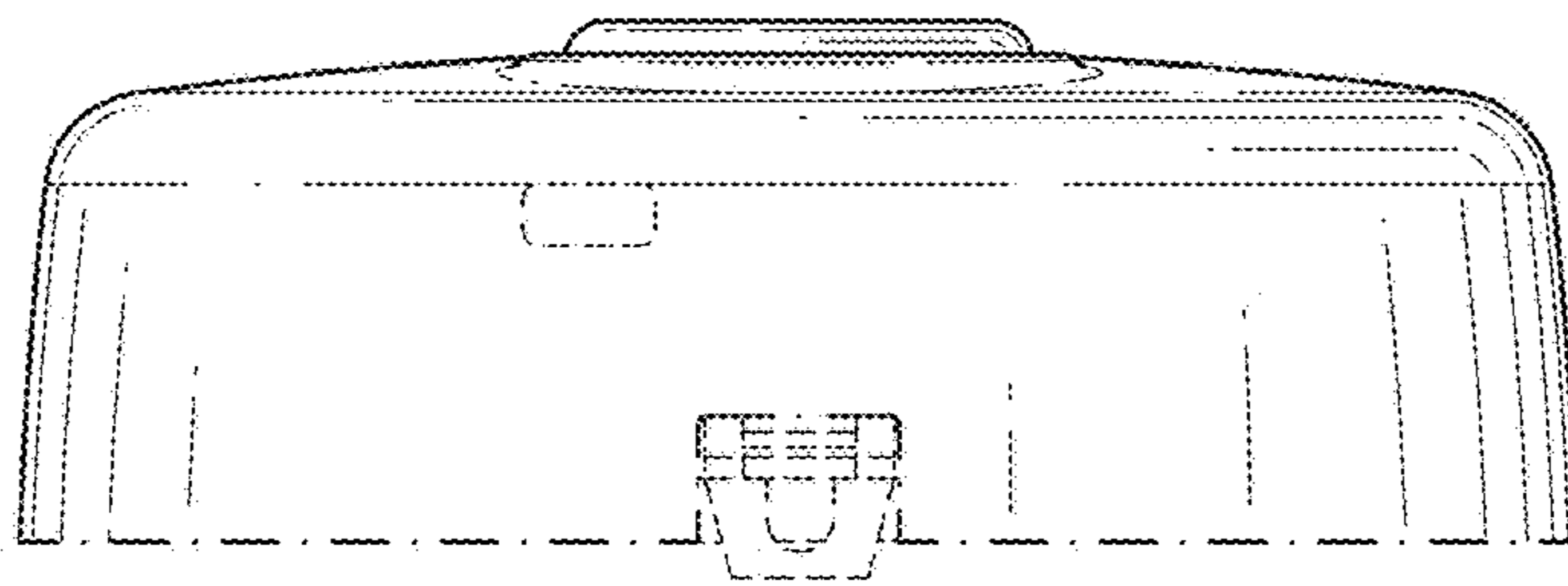
*FIG. 5*



*FIG. 6*



*FIG. 7*



*FIG. 8*