

US00D840257S

(12) **United States Design Patent** (10) **Patent No.:** **US D840,257 S**  
**Pienaar** (45) **Date of Patent:** **\*\* Feb. 12, 2019**

(54) **GUARDRAIL REFLECTOR**

(71) Applicant: **Simone Pienaar**, Kempton Park (ZA)

(72) Inventor: **Petrus Jacobus Pienaar**, Kempton Park (ZA)

(73) Assignee: **Simone Pienaar**, Kempton Park (ZA)

(\*\*) Term: **15 Years**

(21) Appl. No.: **29/588,735**

(22) Filed: **Dec. 22, 2016**

(30) **Foreign Application Priority Data**

Jun. 23, 2016 (ZA) ..... F2016/00906

(51) **LOC (11) Cl.** ..... **10-05**

(52) **U.S. Cl.**  
USPC ..... **D10/113.4**

(58) **Field of Classification Search**  
USPC ..... D10/111, 113.1–113.4; D25/119  
(Continued)

(56) **References Cited**

**U.S. PATENT DOCUMENTS**

D221,810 S \* 9/1971 Kiniry ..... D10/113.4  
D391,881 S \* 3/1998 Youseph ..... D10/113.4  
(Continued)

**FOREIGN PATENT DOCUMENTS**

DE 7438892 3/1975

**OTHER PUBLICATIONS**

Search Report and Written Opinion dated Feb. 11, 2015 in PCT Application Publication No. PCT/ZA2014/000032.

*Primary Examiner* — George D. Kirschbaum

*Assistant Examiner* — Joseph J Kukella

(74) *Attorney, Agent, or Firm* — Haugen Law Firm PLLP

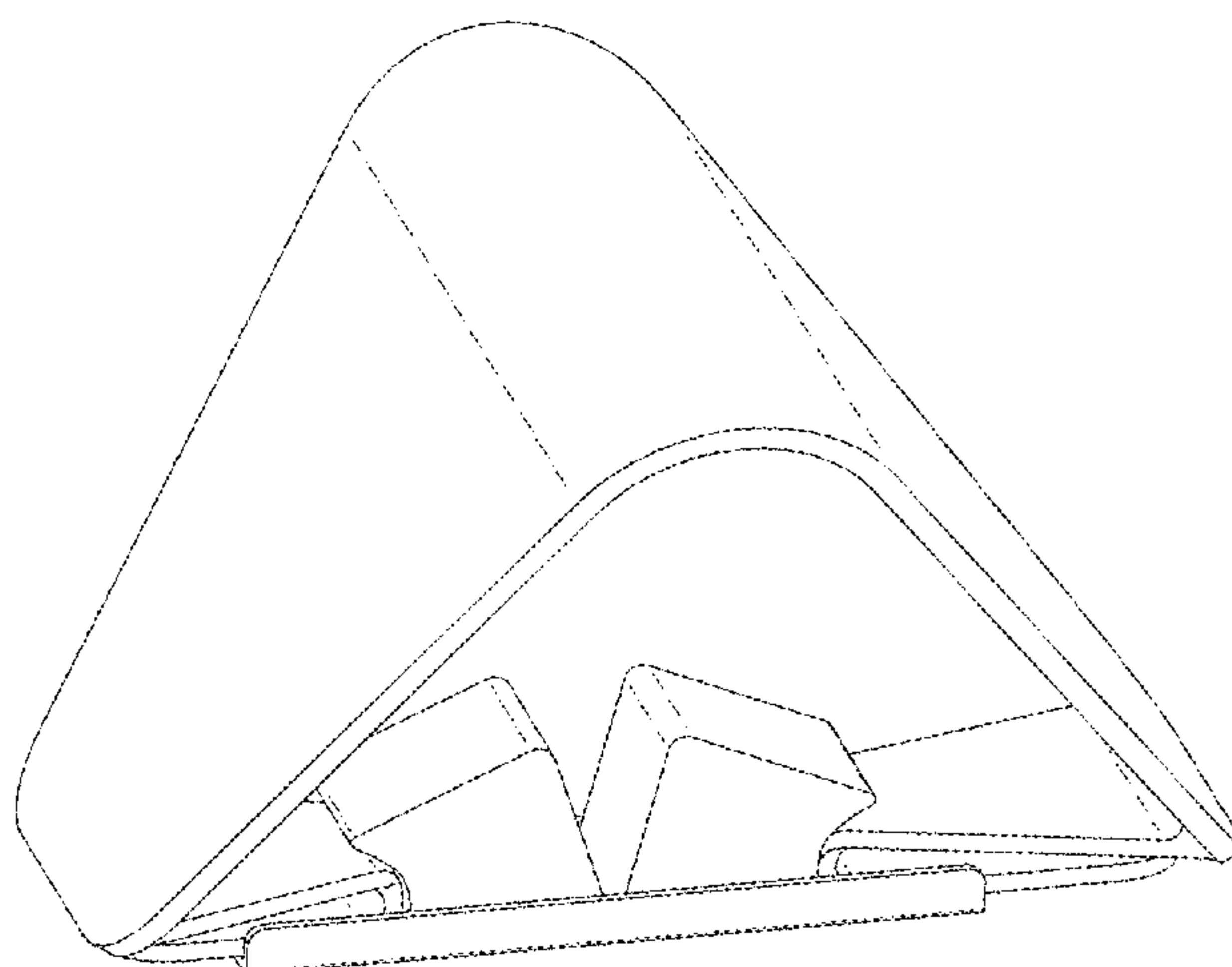
(57) **CLAIM**

The ornamental design for a guardrail reflector, as shown and described.

**DESCRIPTION**

FIG. 1 is a top front perspective view of the guardrail reflector of the present invention in an assembled condition; FIG. 2 is a bottom front perspective view of the guardrail reflector of the present invention in an assembled condition; FIG. 3 is a top rear perspective view of the guardrail reflector of the present invention in an assembled condition; FIG. 4 is a bottom rear perspective view of the guardrail reflector of the present invention in an assembled condition; FIG. 5 is a front elevational view of the guardrail reflector of the present invention in an assembled condition; FIG. 6 is a rear elevational view of the guardrail reflector of the present invention in an assembled condition; FIG. 7 is a left side elevational view of the guardrail reflector of the present invention in an assembled condition; FIG. 8 is a right side elevational view of the guardrail reflector of the present invention in an assembled condition; FIG. 9 is a top plan view of the guardrail reflector of the present invention in an assembled condition; FIG. 10 is a bottom plan view of the guardrail reflector of the present invention in an assembled condition; FIG. 11 is a top perspective exploded view of the guardrail reflector of the present invention in a disassembled condition; and, FIG. 12 is a bottom perspective exploded view of guardrail reflector of the present invention in a disassembled condition.

**1 Claim, 7 Drawing Sheets**



(58) **Field of Classification Search**

CPC ..... E01F 9/00; E01F 9/50; E01F 9/553; E01F  
9/565; E01F 9/60; E01F 9/602; E01F  
9/604; E01F 9/623; E01F 9/669; E01F  
9/535; E01F 9/541; E01C 11/22; E01C  
11/221; E01C 11/222; E01C 11/223

See application file for complete search history.

(56) **References Cited**

U.S. PATENT DOCUMENTS

D392,203	S	*	3/1998	Weid	.....	D10/111
D393,425	S	*	4/1998	Weid	.....	D10/111
5,950,992	A	*	9/1999	Weid	.....	E01F 9/669
						256/1
6,267,530	B1	*	7/2001	Attar	.....	E01F 9/553
						404/14
6,955,496	B2	*	10/2005	Burchell	.....	E01F 9/573
						116/63 R
7,014,389	B1	*	3/2006	Siblik	.....	E01F 9/669
						116/63 P
D520,395	S	*	5/2006	Lazalier	.....	E01F 9/573
						D10/113.4
7,300,165	B2	*	11/2007	Garcia	.....	E01F 9/669
						359/528
8,734,048	B1	*	5/2014	Driskell	.....	E01F 9/573
						116/63 R
2004/0067105	A1		4/2004	Gosel		

\* cited by examiner

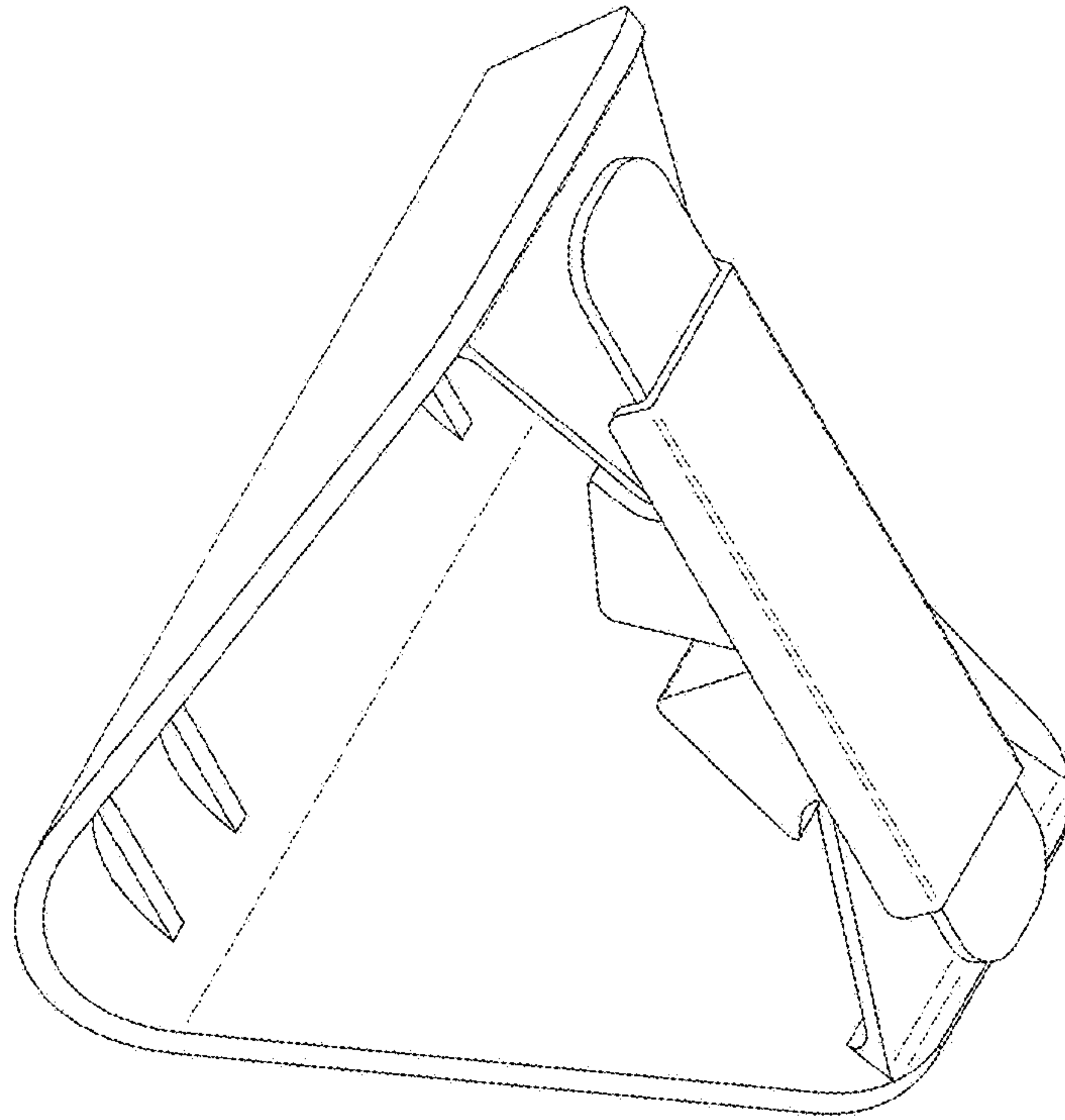


FIG. 2

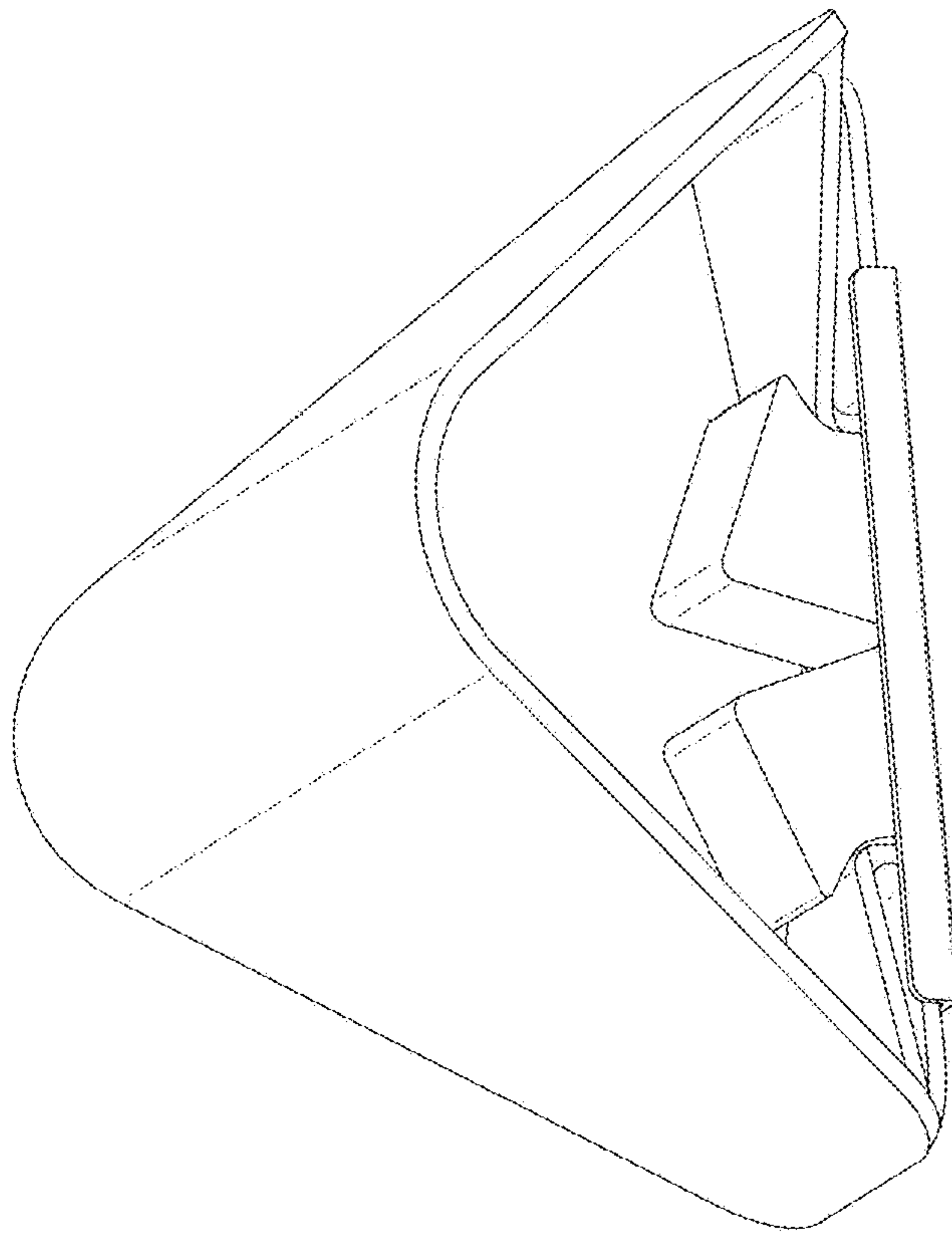


FIG. 1

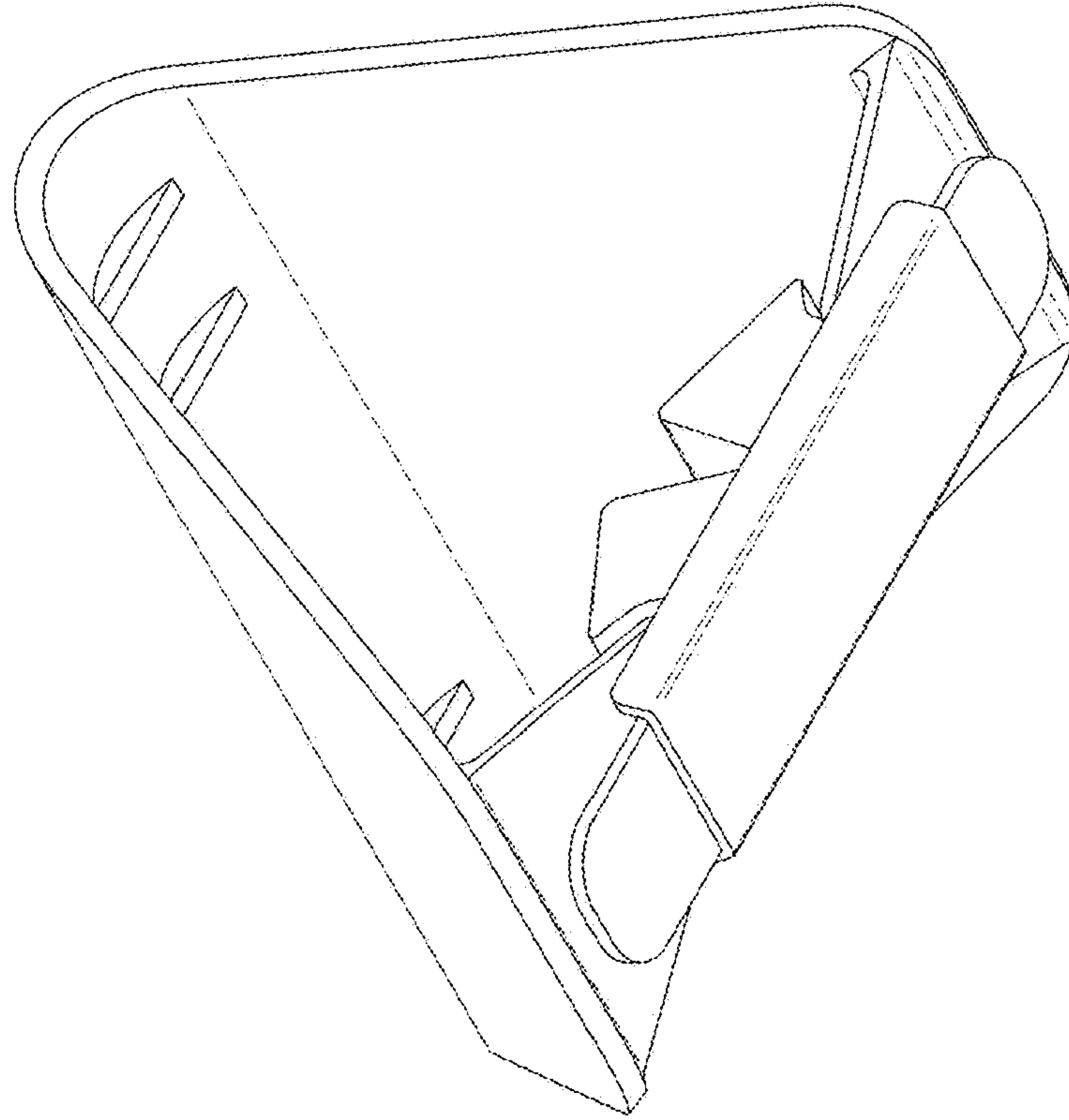


FIG. 4

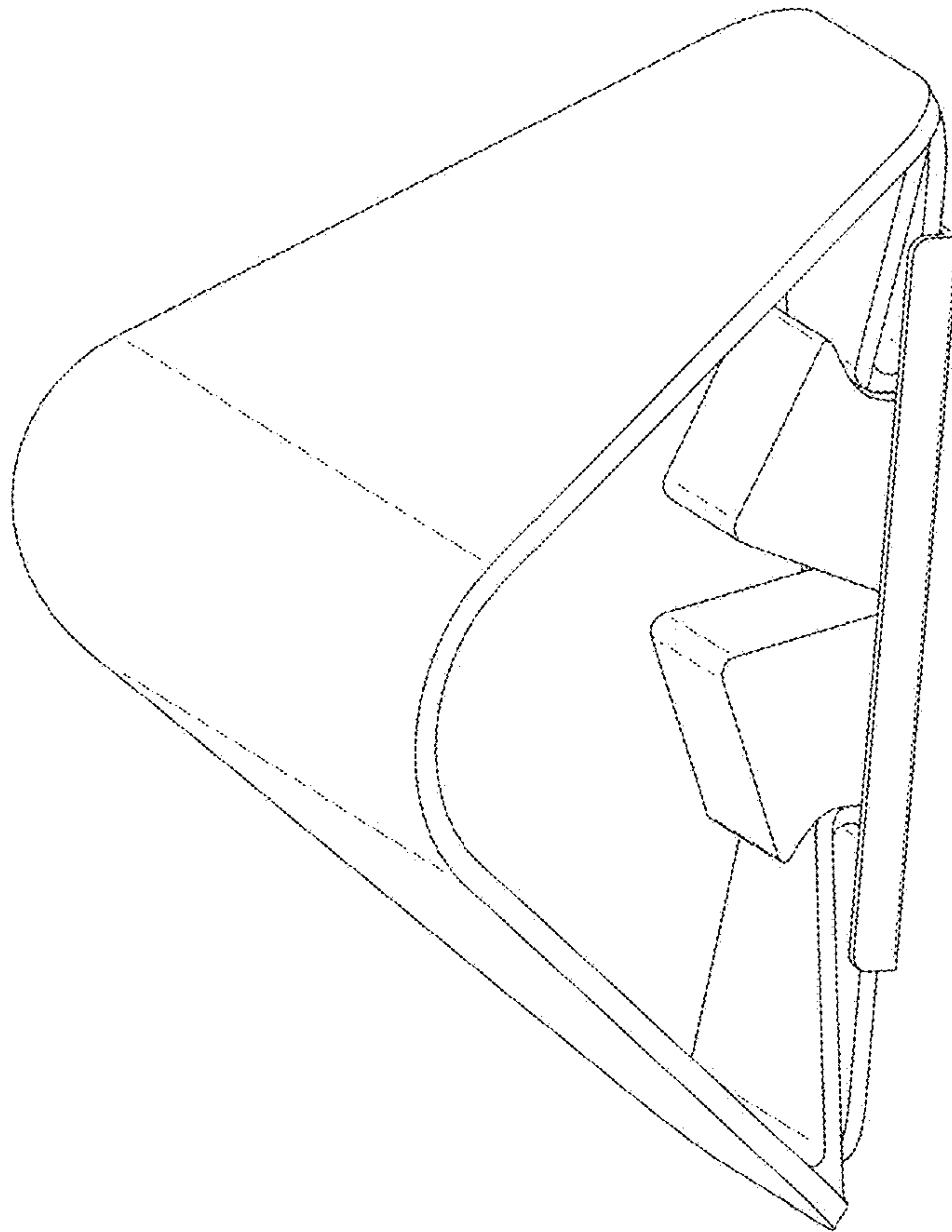


FIG. 3

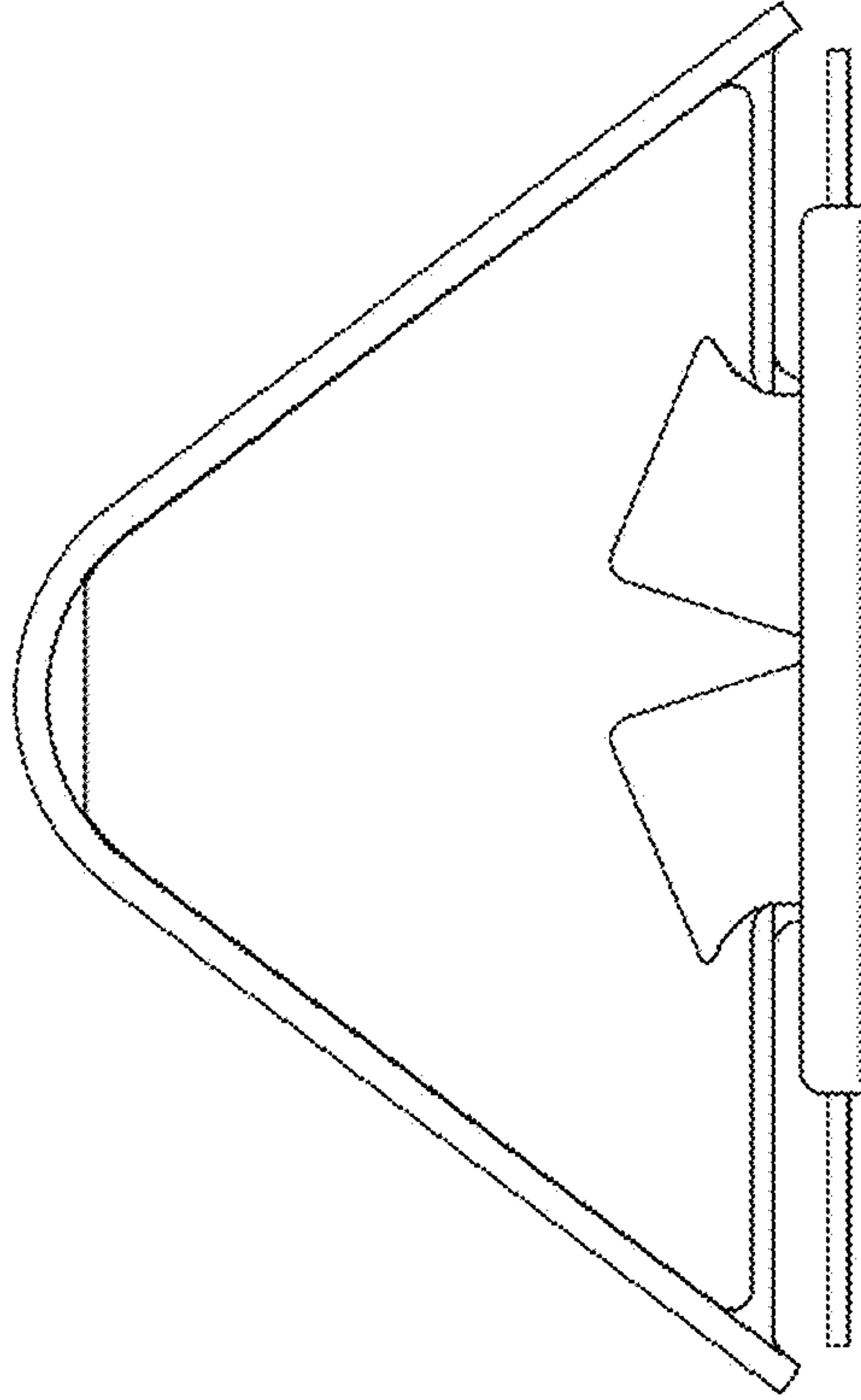


FIG. 5

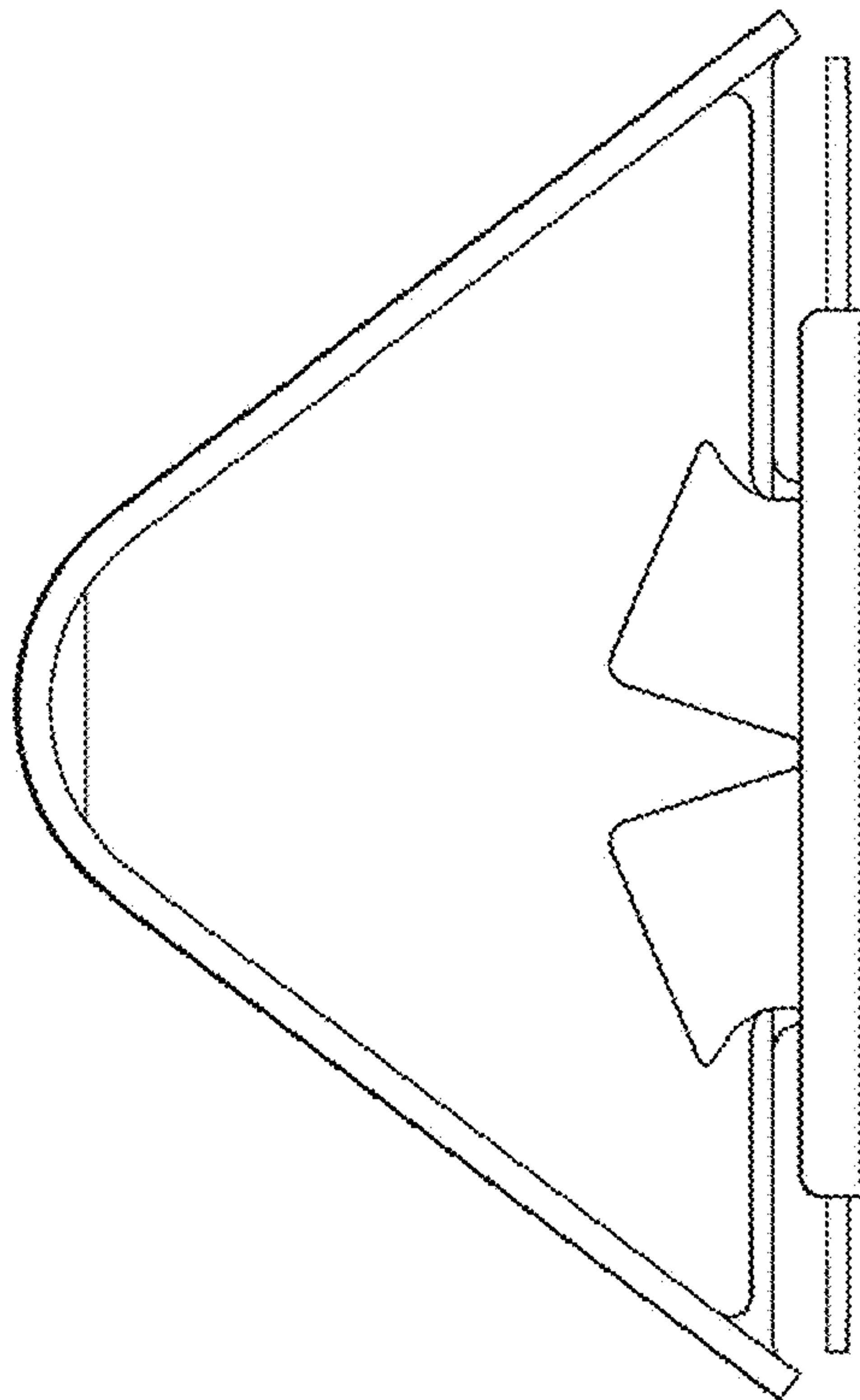


FIG. 6



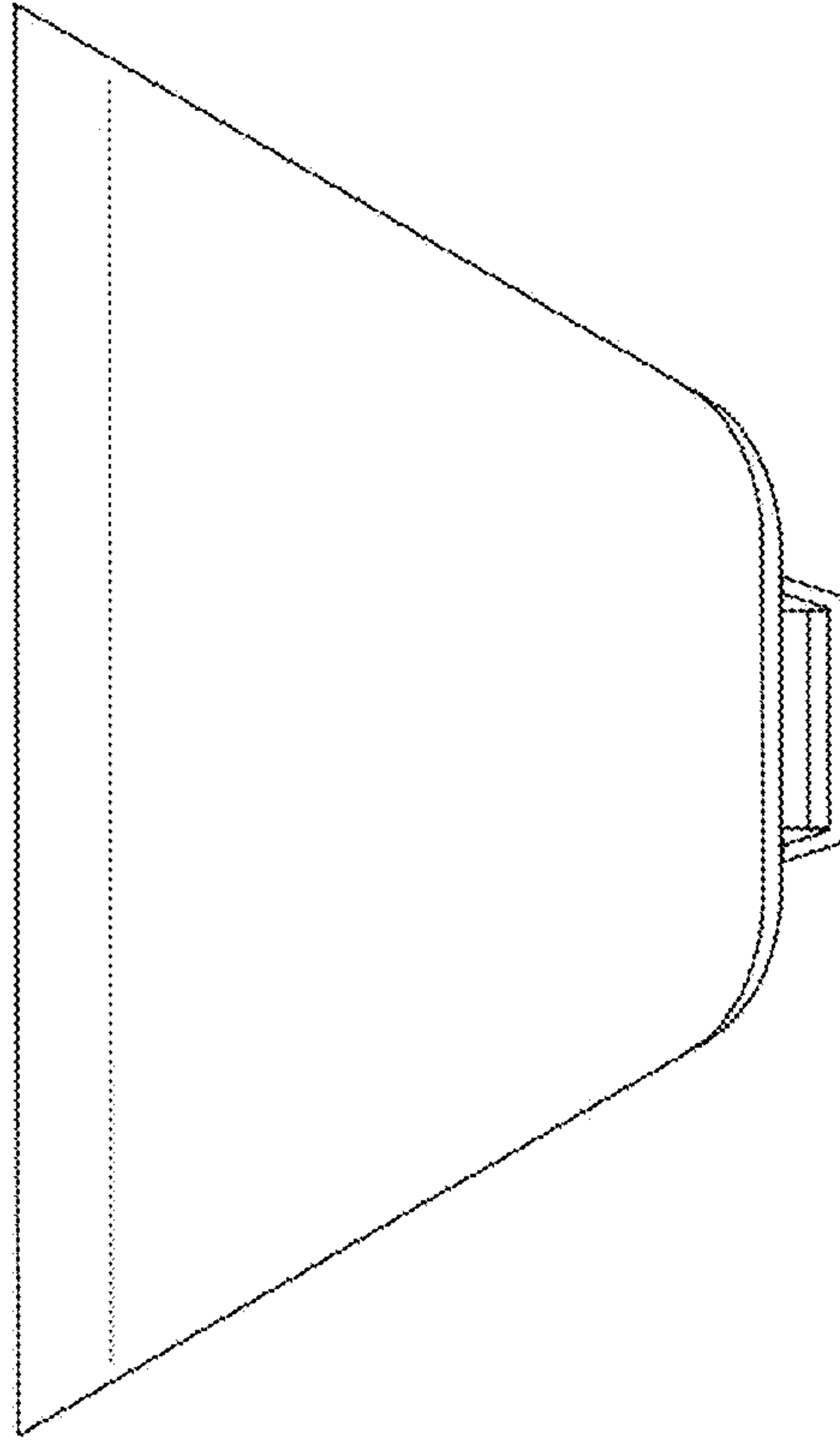


FIG. 8

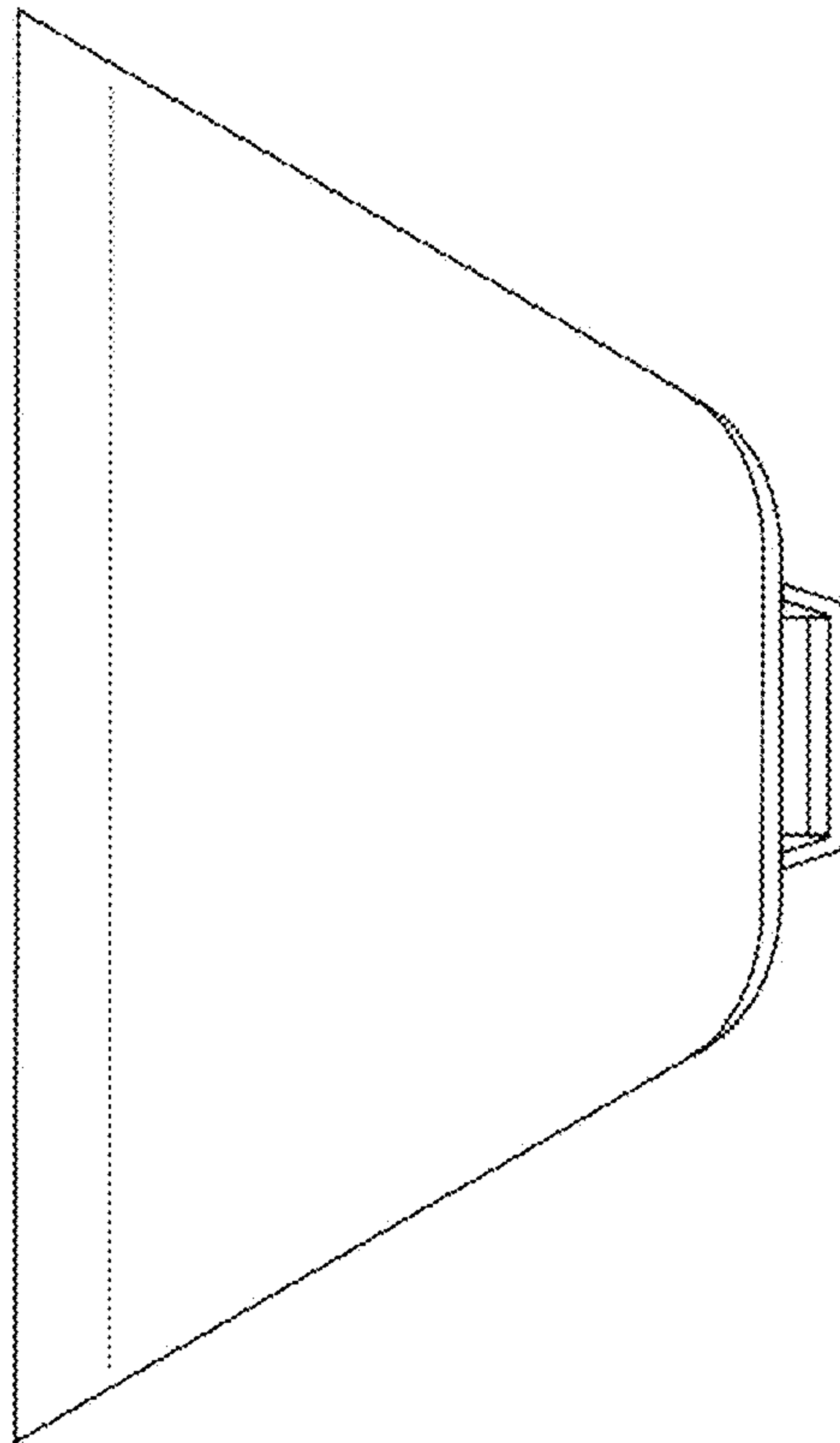


FIG. 7

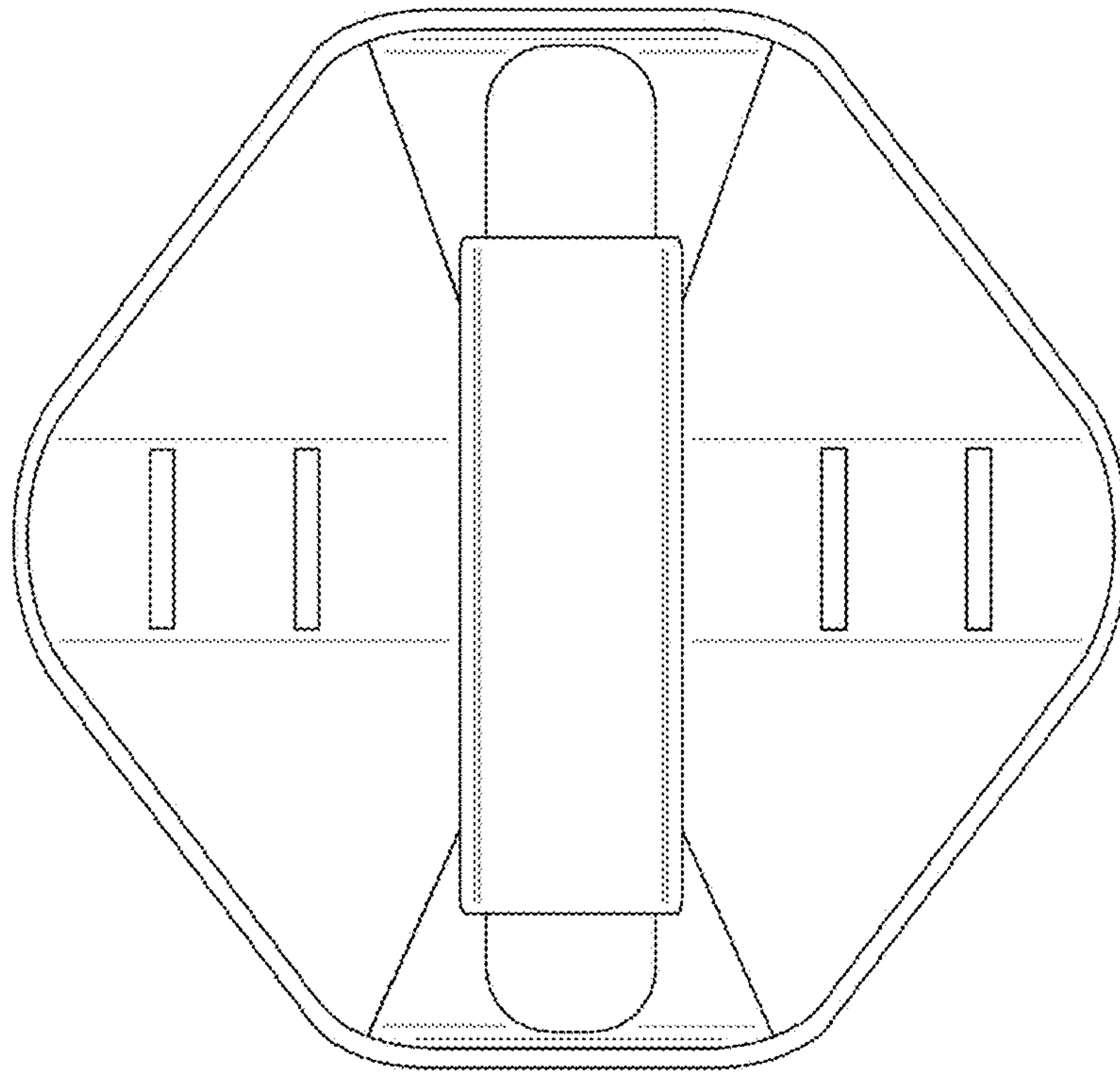


FIG. 10

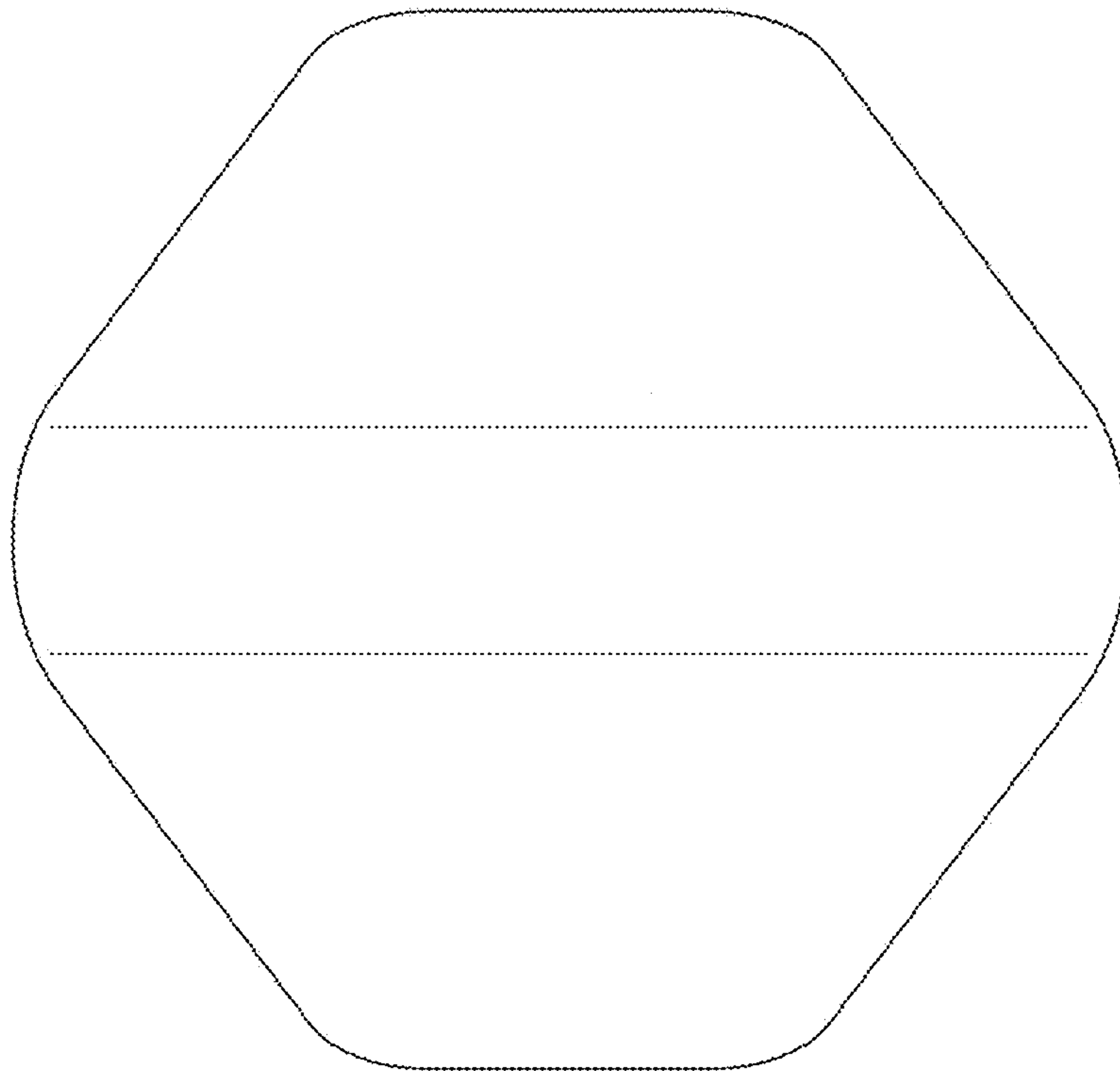


FIG. 9

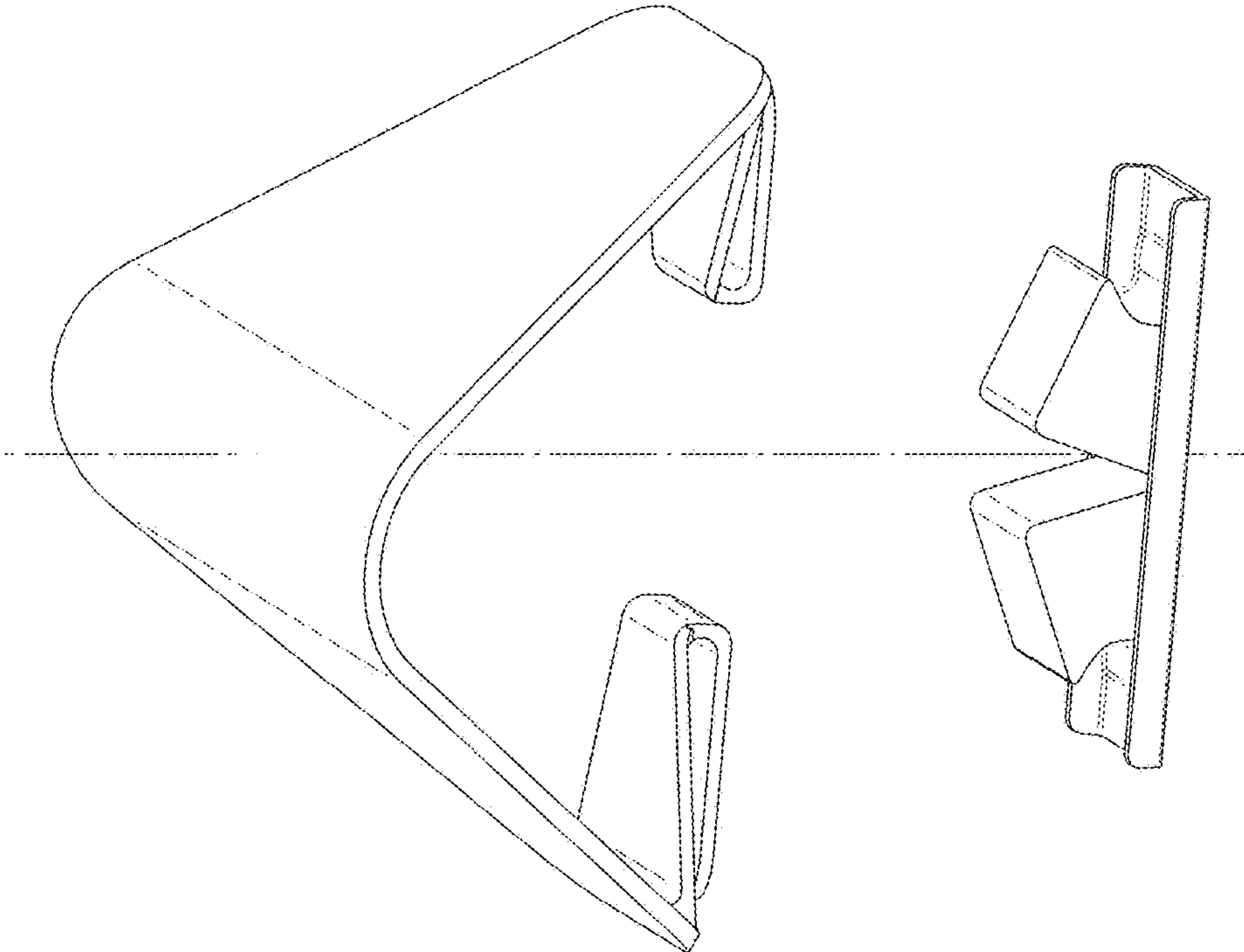


FIG. 11



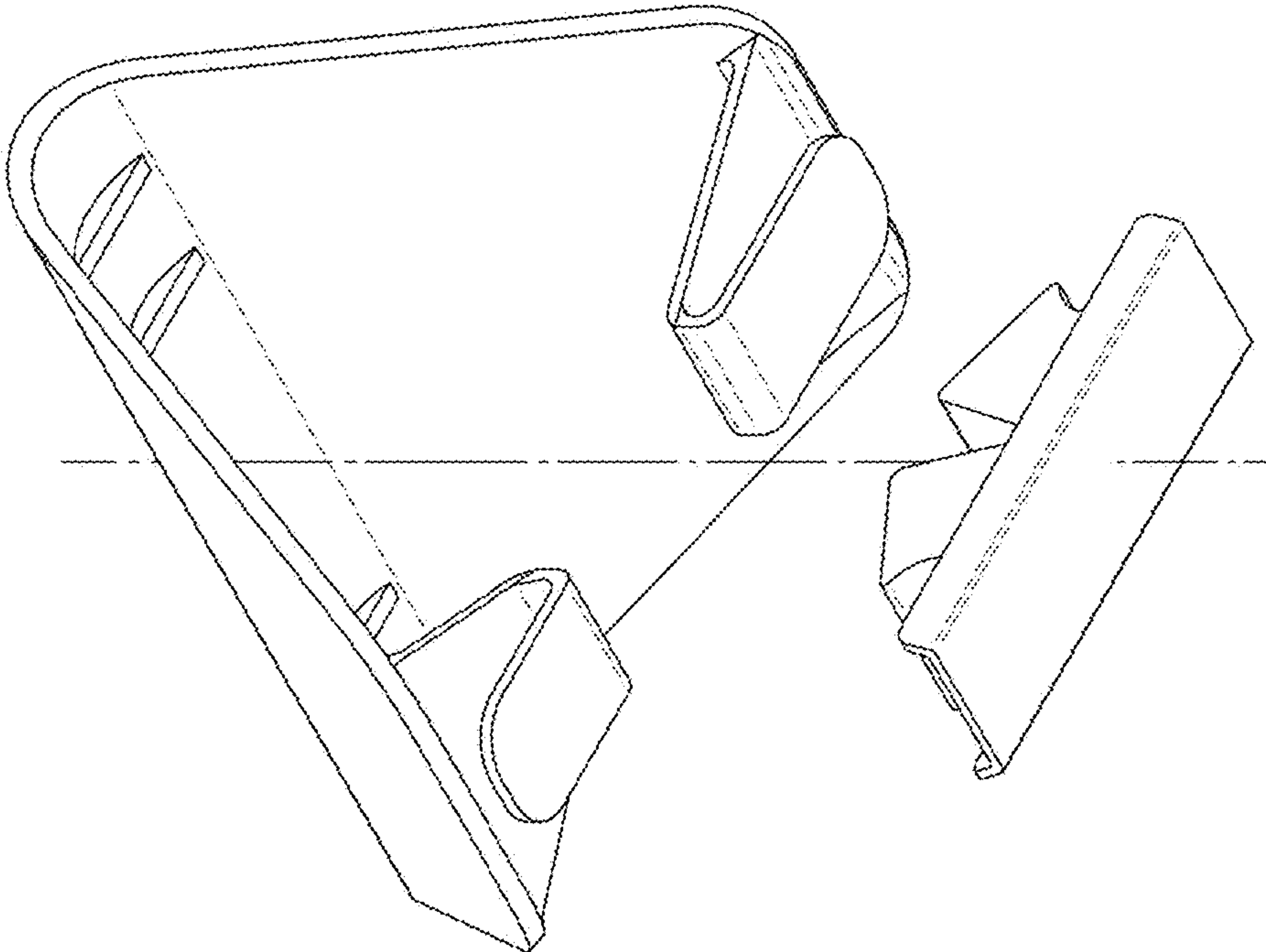


FIG. 12