



US00D840256S

(12) **United States Design Patent**
Nilsson

(10) **Patent No.:** **US D840,256 S**

(45) **Date of Patent:** **** Feb. 12, 2019**

- (54) **SAFETY MARKING STRIPS**
- (71) Applicant: **Save Lives Now Europa AB,**
Östersund (SE)
- (72) Inventor: **Lars Nilsson,** Östersund (SE)
- (73) Assignee: **SAVE LIVES NOW EUROPA AB**
(SE)

- D428,366 S * 7/2000 Schmidt D10/111
- 7,259,691 B2 * 8/2007 Kimbrough, Jr. A41D 13/01
340/907
- D587,907 S * 3/2009 Vandenberg D5/56
- D587,909 S * 3/2009 Carlson D5/56
- D594,663 S * 6/2009 Vandenberg D5/63
- 8,840,263 B1 * 9/2014 Jones A41D 13/01
362/108
- 9,080,764 B2 * 7/2015 Gonzalez A45C 13/30

* cited by examiner

(**) Term: **15 Years**

Primary Examiner — George D. Kirschbaum

(21) Appl. No.: **29/589,203**

(74) *Attorney, Agent, or Firm* — Condo Roccia Koptiw
LLP

(22) Filed: **Dec. 29, 2016**

(57) **CLAIM**

(30) **Foreign Application Priority Data**

The ornamental design for a safety marking strips, as shown
and described.

- Jun. 30, 2016 (EM) 003255272-0001
- Jun. 30, 2016 (EM) 003255272-0002
- Jun. 30, 2016 (EM) 003255272-0003

DESCRIPTION

(51) **LOC (11) Cl.** **10-05**

FIG. 1 is a first perspective view of safety marking strips
embodying my new design;

(52) **U.S. Cl.**

FIG. 2 is a second perspective view of safety marking strips
of FIG. 1;

USPC **D10/109.1; D10/111**

FIG. 3 is a front view of the safety marking strips of FIG. 1;

(58) **Field of Classification Search**

USPC D10/111, 109.1; D5/63, 56

FIG. 4 is a back view of the safety marking strips of FIG. 1;

CPC A45C 13/30; A41D 13/01

FIG. 5 is a side view of the safety marking strips of FIG. 1;

See application file for complete search history.

FIG. 6 is a top view of the safety marking strips of FIG. 1;

FIG. 7 is a bottom view of the safety marking strips of FIG.

1; and,

(56) **References Cited**

FIG. 8 is a third perspective view of the safety marking strips

U.S. PATENT DOCUMENTS

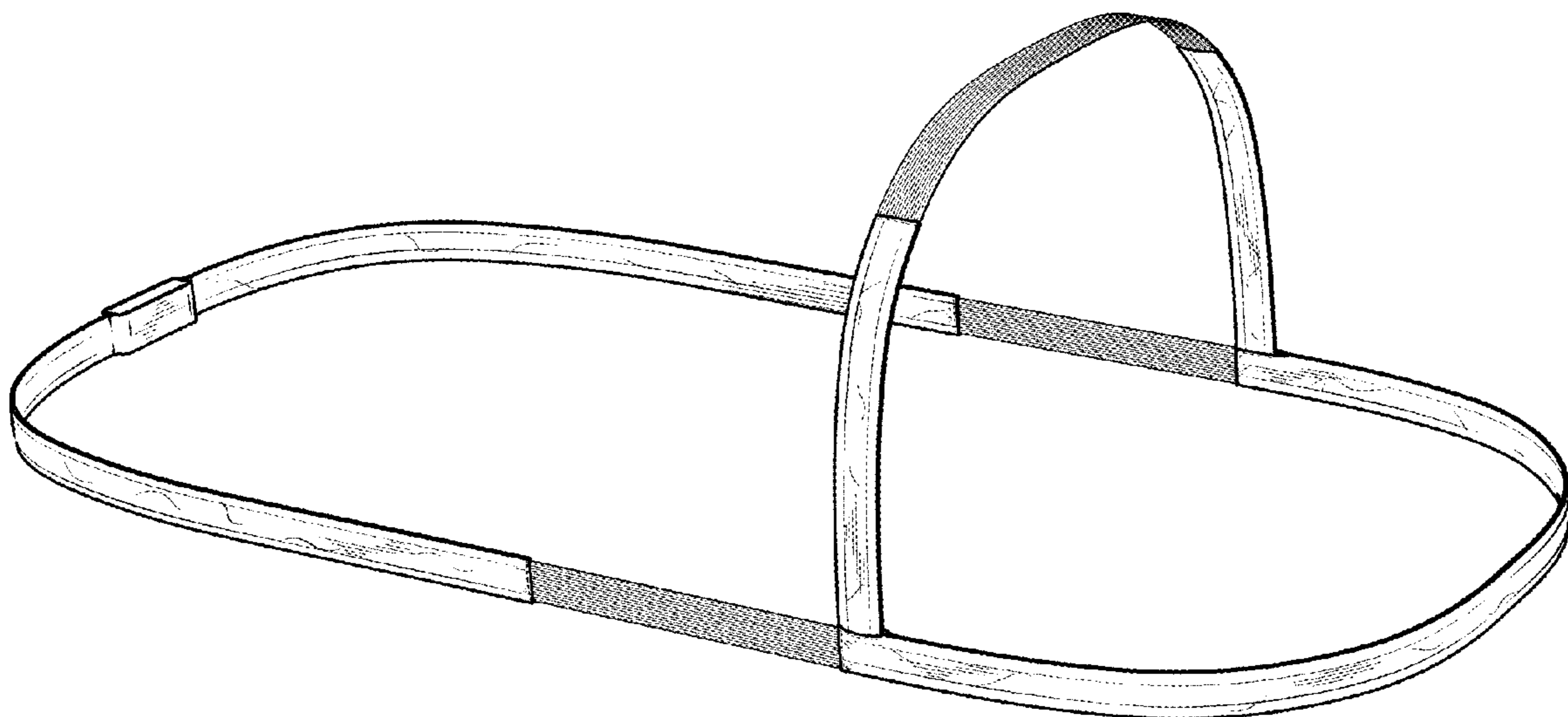
of FIG. 1 that illustrates an example environmental structure

of the safety marking strips on a baby carriage.

D244,918 S * 7/1977 Kitrell D10/111

D246,444 S * 11/1977 Kitrell D10/111

1 Claim, 4 Drawing Sheets



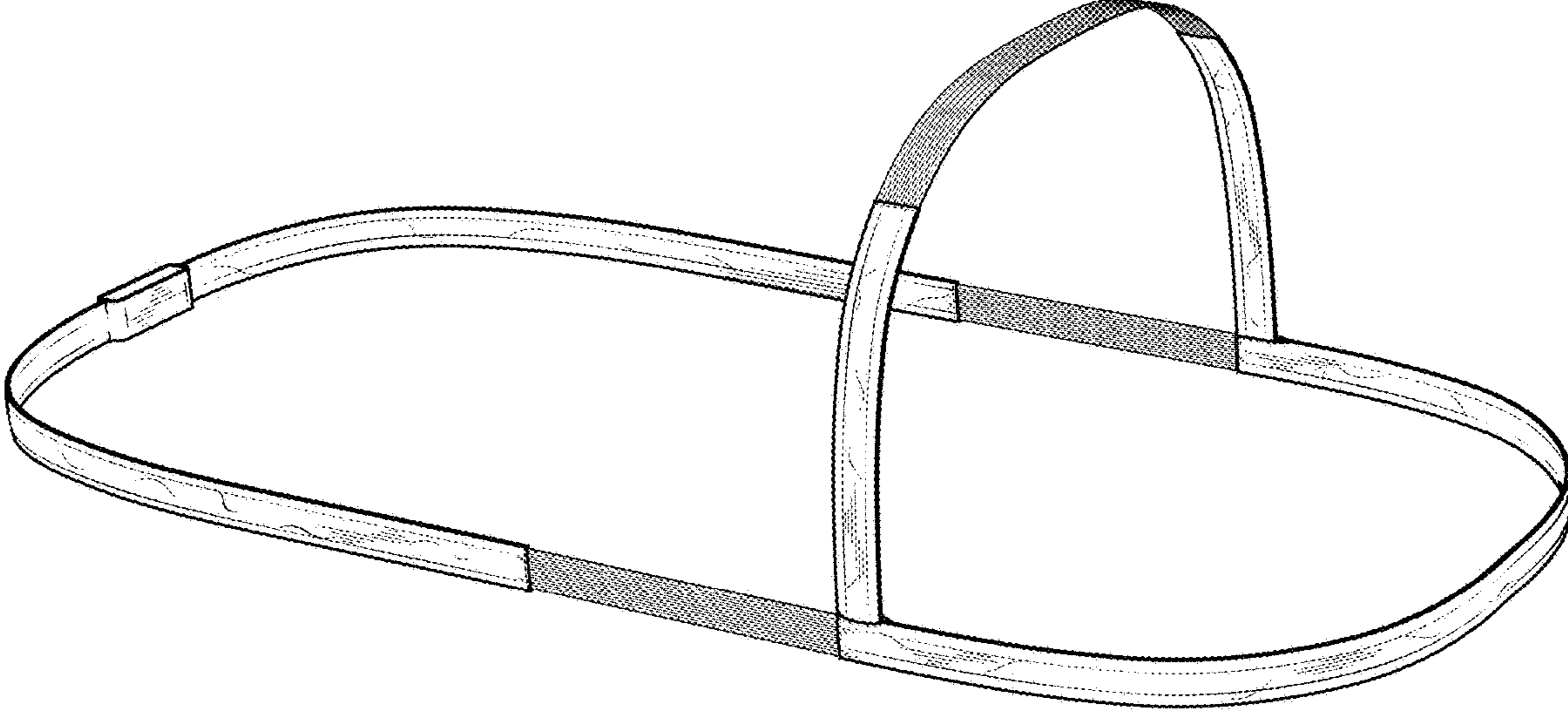


Figure 1

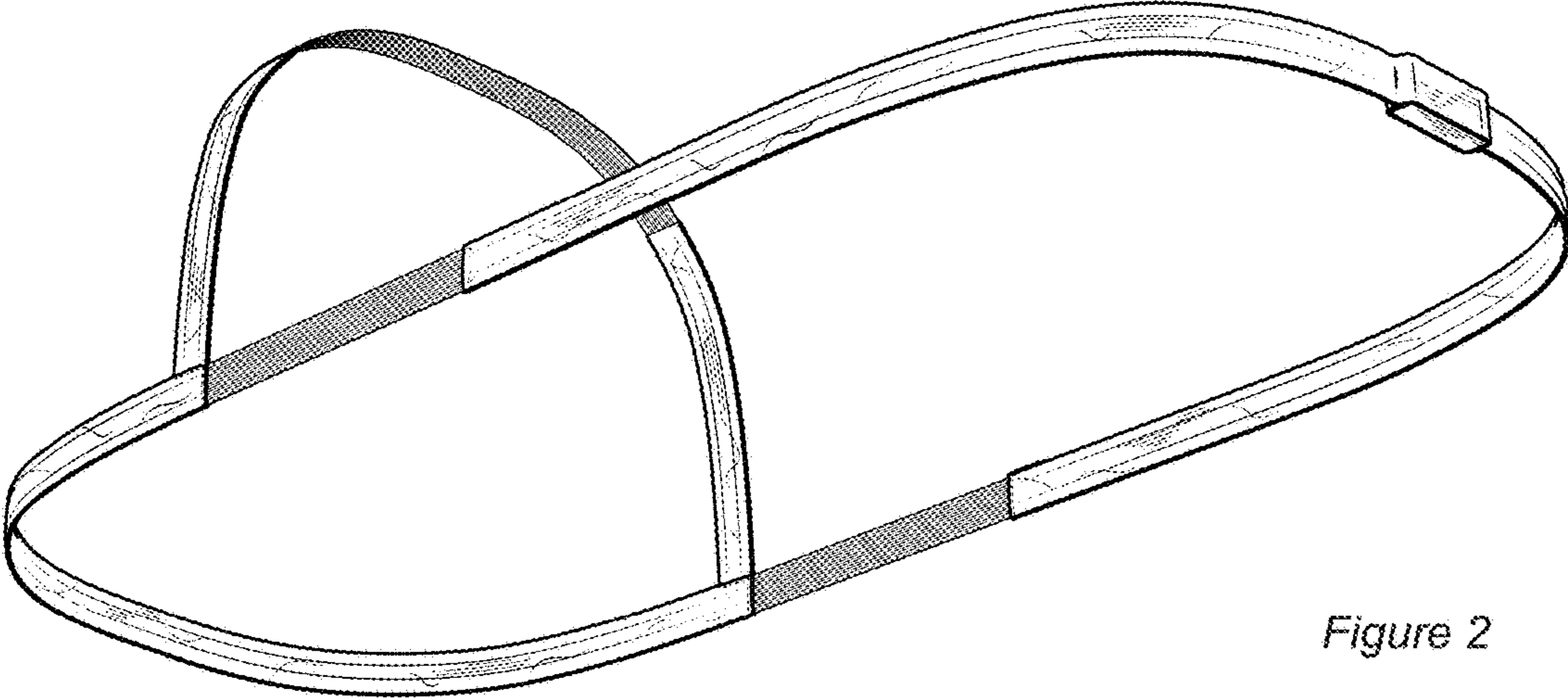


Figure 2

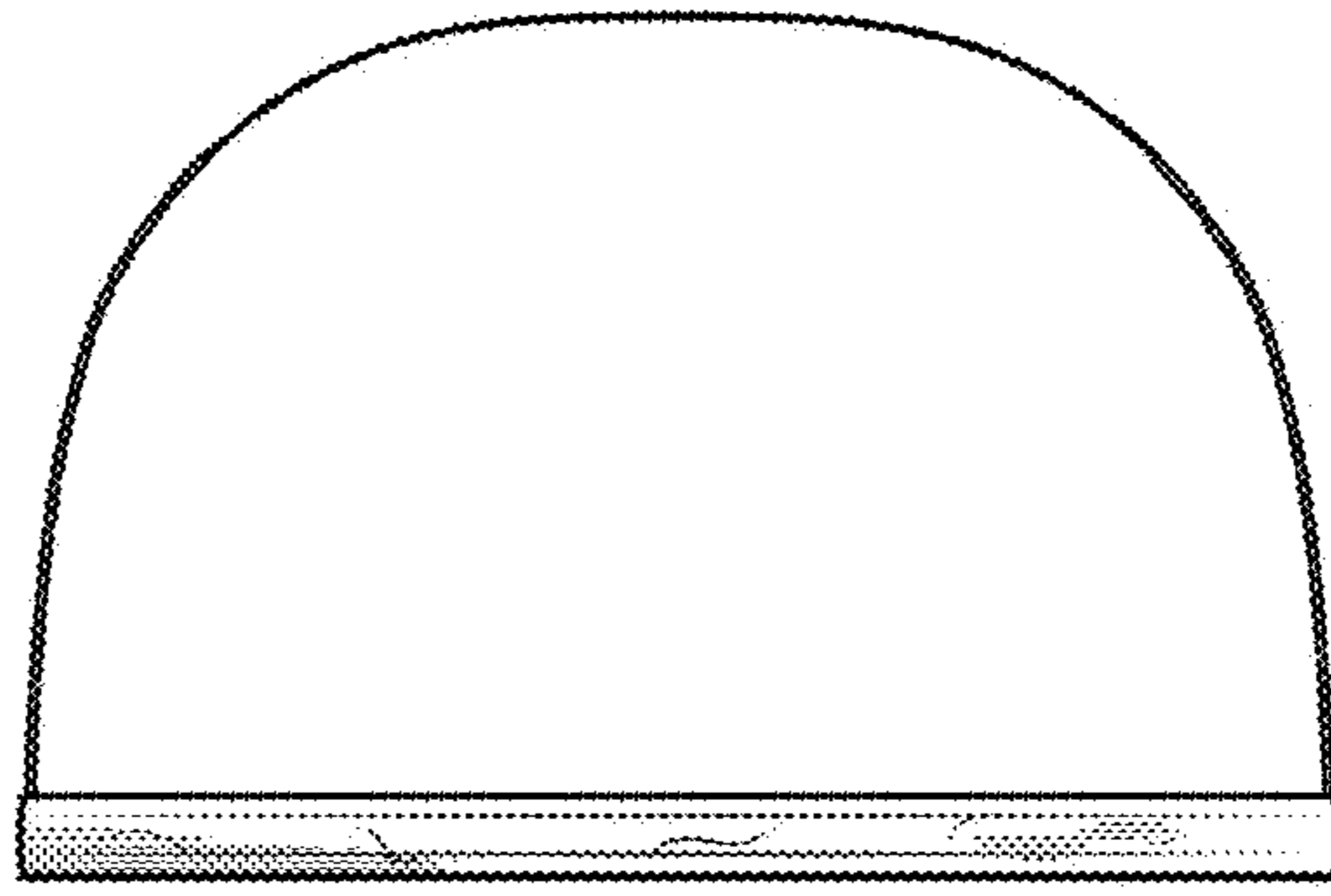


Figure 3

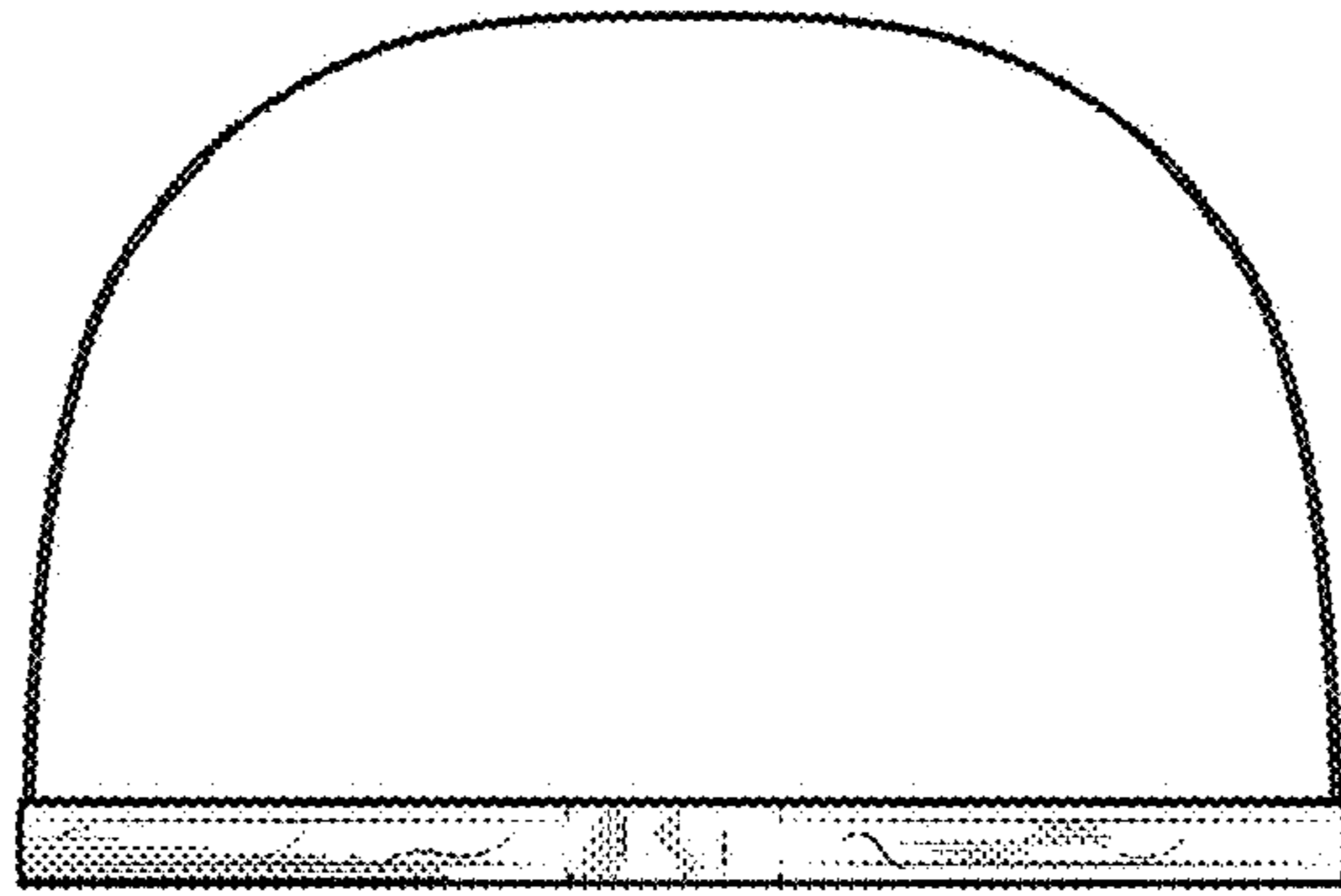


Figure 4



Figure 5

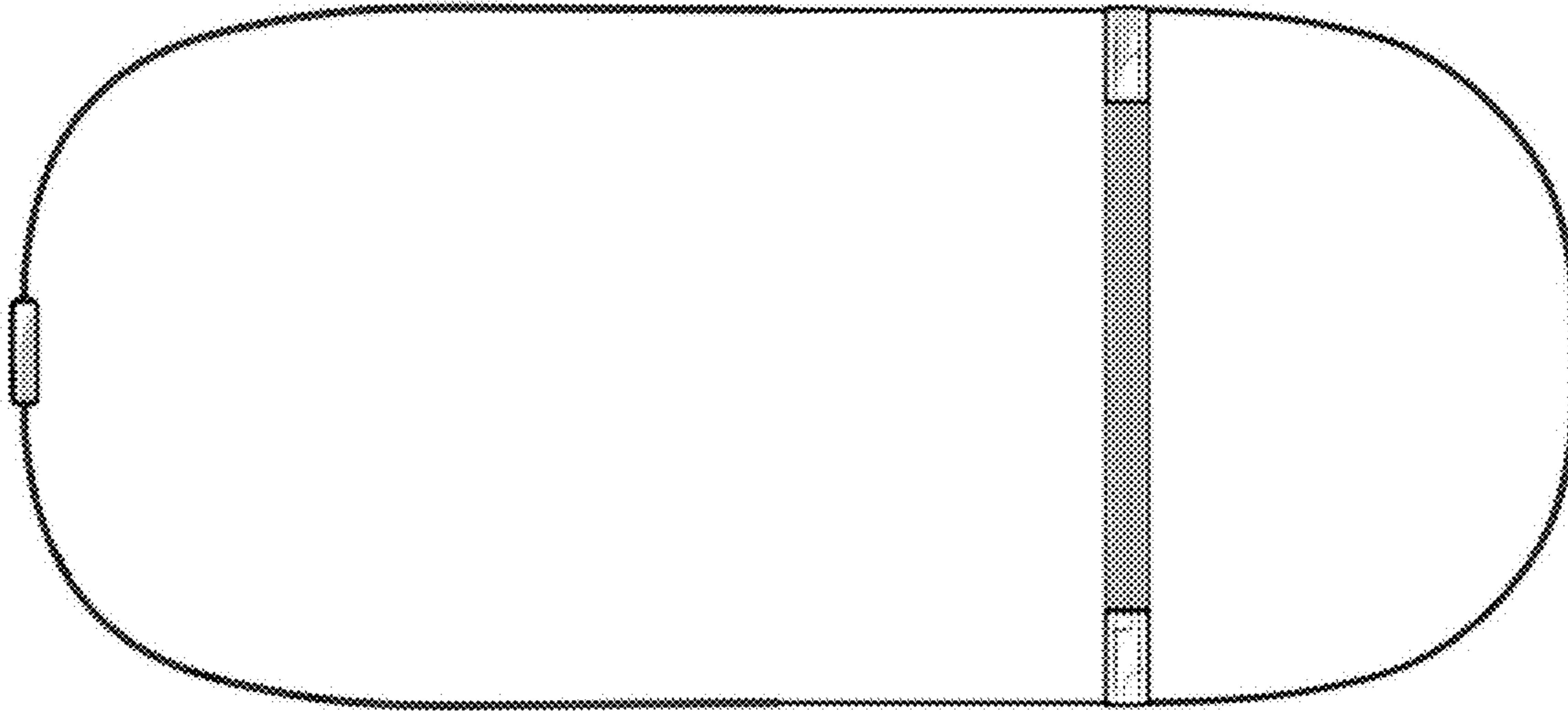


Figure 6

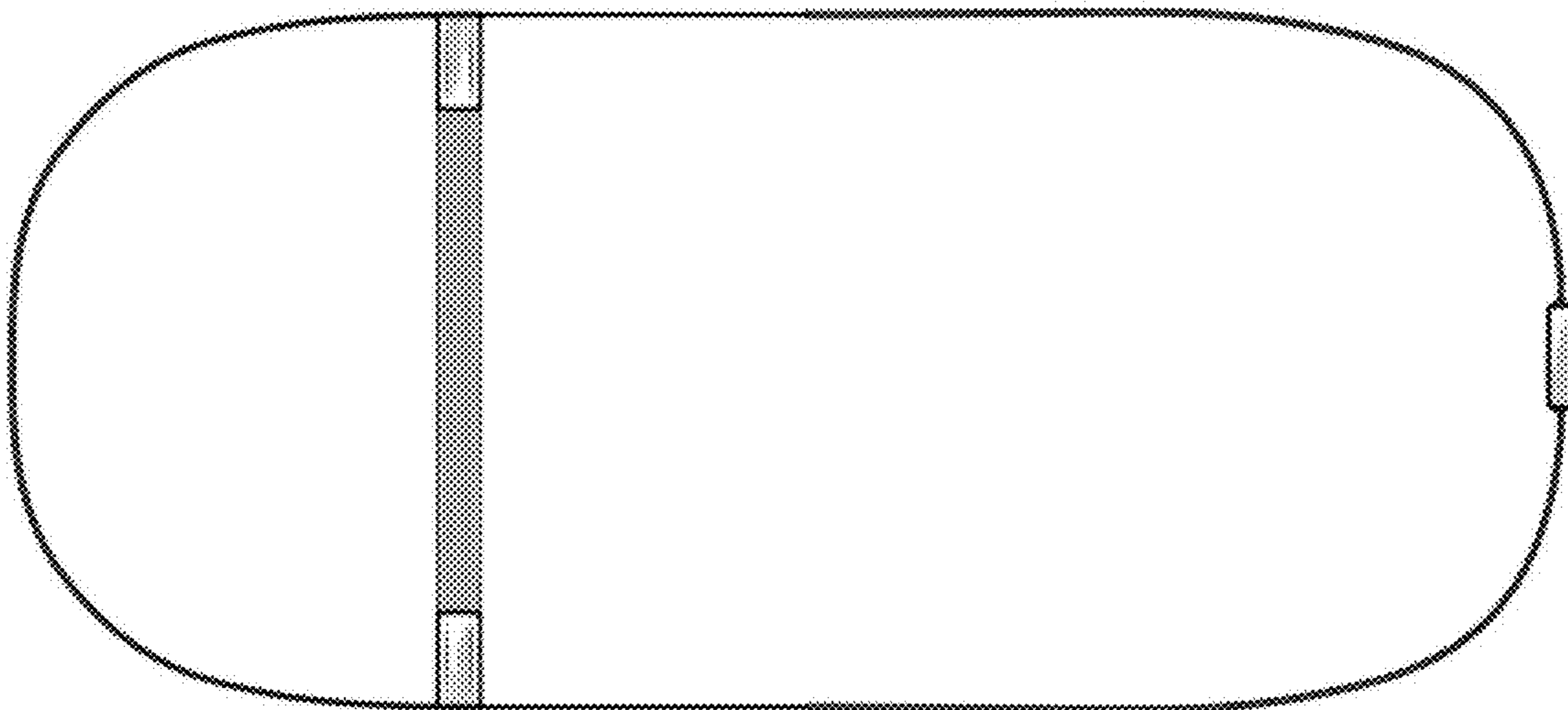


Figure 7

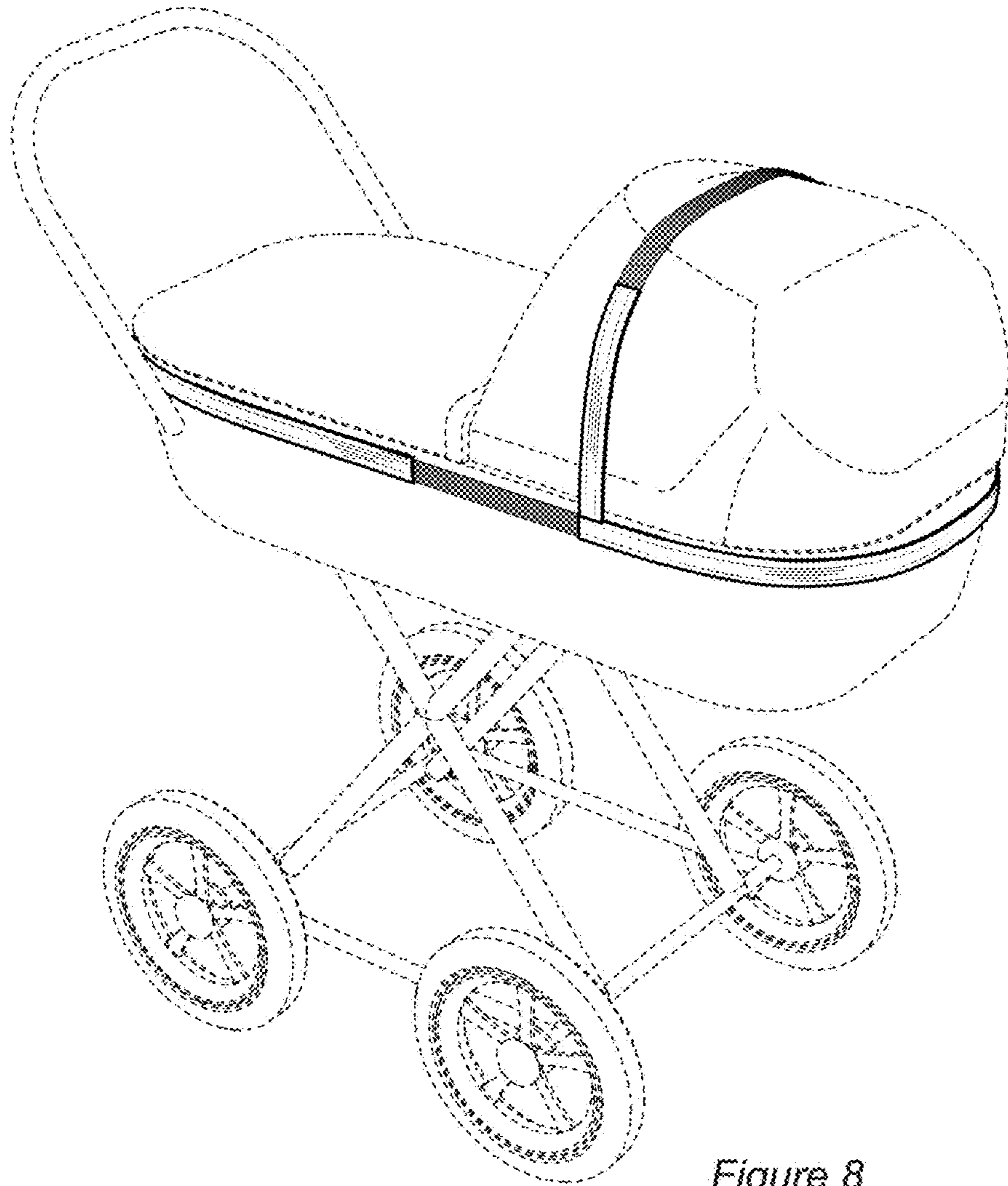


Figure 8