



US00D840255S

(12) **United States Design Patent** (10) **Patent No.:** **US D840,255 S**
Srinivasan et al. (45) **Date of Patent:** **** Feb. 12, 2019**

(54) **ELUENT PLATE FOR A SUPPRESSOR**

(71) Applicant: **DIONEX CORPORATION**,
Sunnyvale, CA (US)

(72) Inventors: **Kannan Srinivasan**, Tracy, CA (US);
Glenn M. Kuse, Pleasanton, CA (US)

(73) Assignee: **DIONEX CORPORATION**,
Sunnyvale, CA (US)

(**) Term: **15 Years**

(21) Appl. No.: **29/599,171**

(22) Filed: **Mar. 31, 2017**

(51) **LOC (11) Cl.** **10-04**

(52) **U.S. Cl.**
USPC **D10/81; D24/232**

(58) **Field of Classification Search**
USPC D10/49, 58, 60, 73, 74, 81, 103, 251;
D15/147, 152; D22/108; D24/107, 167,
D24/222, 232; D99/99; 210/85, 251,
210/638; 422/70
CPC B01D 15/08; B01D 15/36; B01D 61/46;
B01D 61/52; G01N 30/48; G01N 30/96;
G01N 2030/027; G01N 2030/488; G01N
2030/965

See application file for complete search history.

(56) **References Cited**

U.S. PATENT DOCUMENTS

D291,185 S * 8/1987 Stiso D10/103
D294,807 S * 3/1988 Stiso D10/103

D600,579 S * 9/2009 Wounder D10/81
D602,168 S * 10/2009 Hermansson D24/232
D639,979 S * 6/2011 Hermansson D24/232
D688,805 S * 8/2013 Page D24/222
D746,469 S * 12/2015 Okuda D24/167
D746,987 S * 1/2016 Okuda D24/167
2014/0134050 A1 * 5/2014 Srinivasan G01N 30/02
422/70
2016/0187305 A1 * 6/2016 Srinivasan G01N 30/48
210/638

* cited by examiner

Primary Examiner — Melanie H Tung

Assistant Examiner — Fritzgerald L Butac

(74) *Attorney, Agent, or Firm* — Timothy J. Ohara

(57) **CLAIM**

We claim the ornamental design for an eluent plate for a suppressor, as shown and described.

DESCRIPTION

FIG. 1 is a perspective view of an eluent plate for a suppressor.

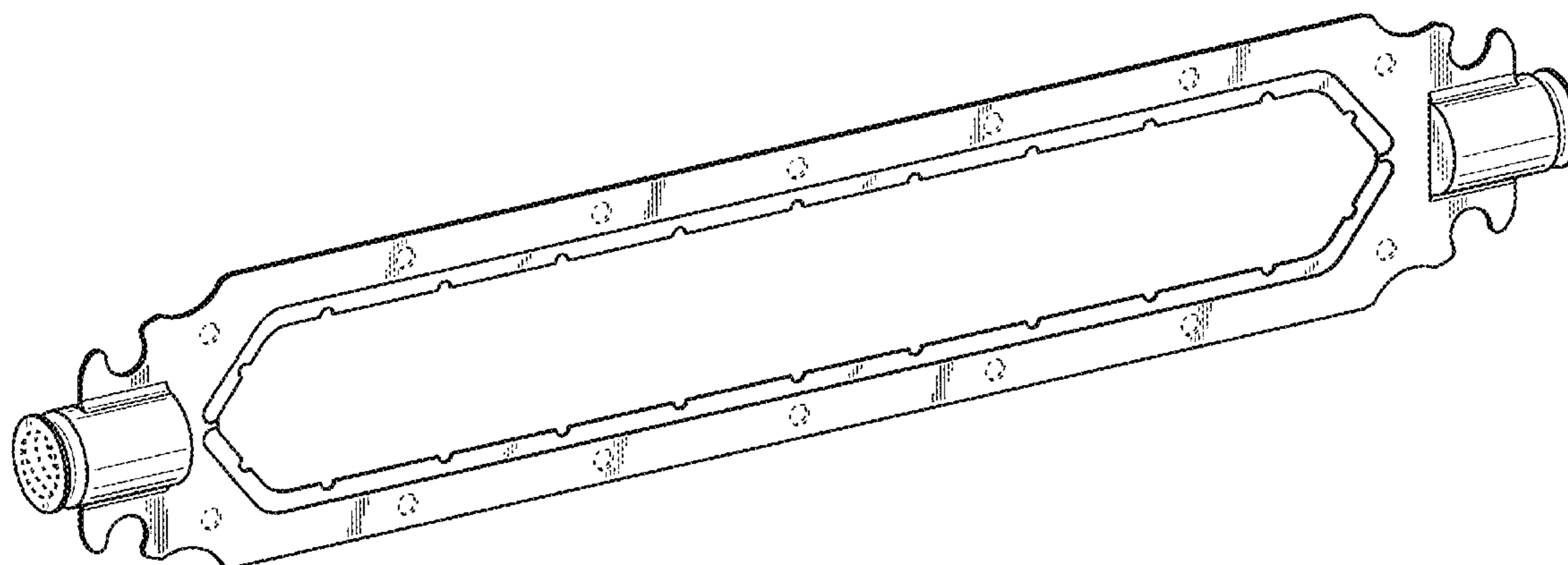
FIG. 2 is a top plan view thereof, the bottom view being a mirror image thereof;

FIG. 3 is a left side elevation view thereof, the right side being a mirror image thereof; and,

FIG. 4 is a front elevation view thereof, the rear being a mirror image thereof.

The broken lines show portions of an eluent plate for a suppressor that form no part of the claimed design.

1 Claim, 1 Drawing Sheet



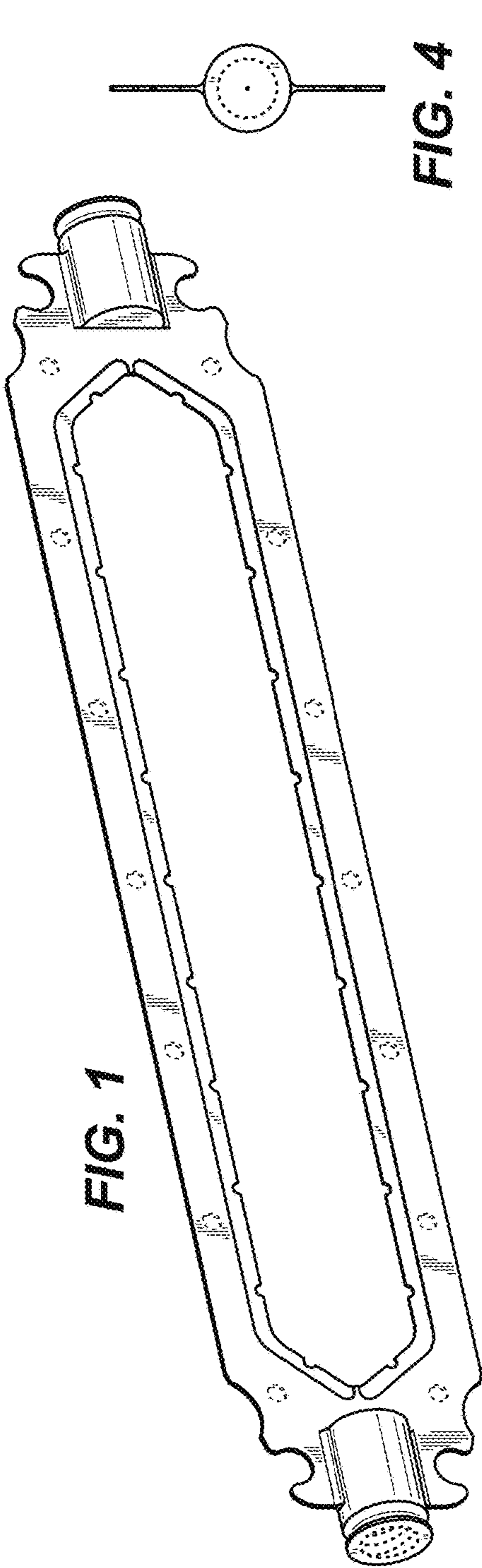


FIG. 4

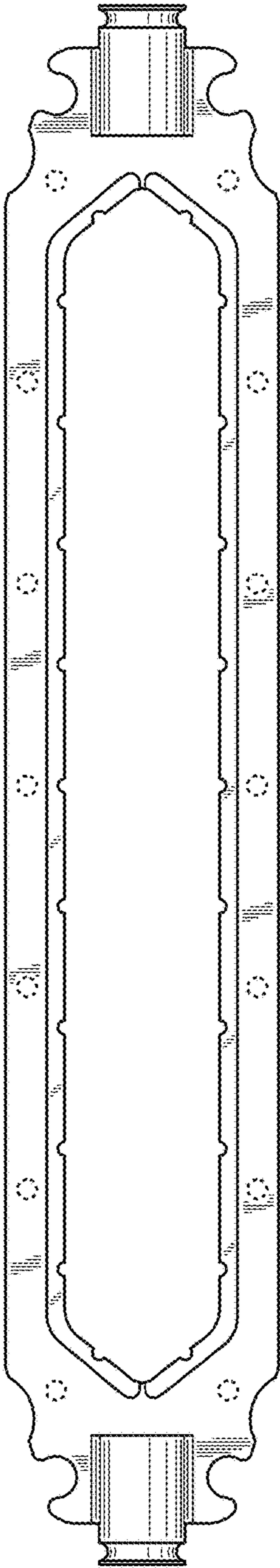
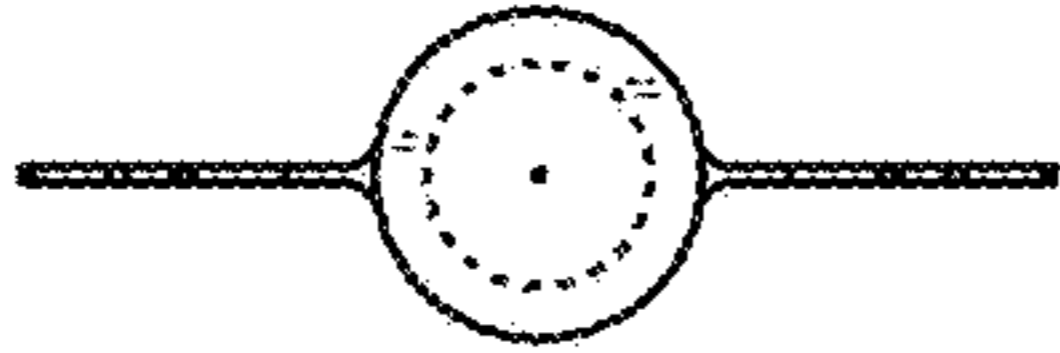


FIG. 2

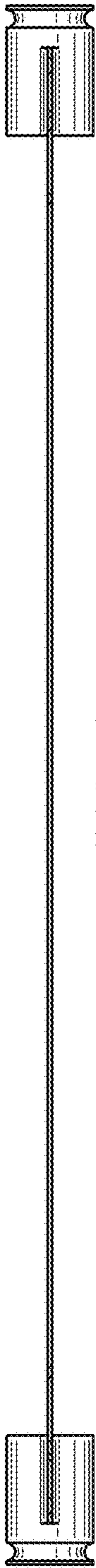


FIG. 3