



US00D840253S

(12) **United States Design Patent**
Simons

(10) **Patent No.:** **US D840,253 S**

(45) **Date of Patent:** **** Feb. 12, 2019**

(54) **FOLDABLE FOOT MEASURING DEVICE**

(71) Applicant: **Fuerst Group, Inc.**, Menlo Park, CA (US)

(72) Inventor: **Erin Simons**, Portland, OR (US)

(73) Assignee: **Fuerst Group, Inc.**, Menlo Park, CA (US)

(**) Term: **15 Years**

(21) Appl. No.: **29/597,135**

(22) Filed: **Mar. 14, 2017**

(51) **LOC (11) Cl.** **10-04**

(52) **U.S. Cl.**
USPC **D10/64**

(58) **Field of Classification Search**
USPC D7/669, 673, 678; D10/46, 49, 64, 70, D10/71, 78, 81, 99, 100, 104.1, 106.2,
(Continued)

(56) **References Cited**

U.S. PATENT DOCUMENTS

1,356,489 A 10/1920 Dawkins
2,942,344 A * 6/1960 Brannock A43D 1/027
33/3 B

(Continued)

FOREIGN PATENT DOCUMENTS

WO WO-2014176672 A1 * 11/2014 A61B 5/1074

OTHER PUBLICATIONS

Measuring Device, posted on amazon.com, first available Apr. 27, 2017, [online], [site visited Apr. 27, 2018], Available from Internet, URL: https://www.amazon.com/gp/product/B07BN46MLR/ref=s9_acsd_top_hd_bw_b3jWRHv_c_x_w?pf_rd_m=ATVPDKIKX0DER&pf_rd_s=merchandise-search-3&pf_rd_r= (Year: 2017).*

(Continued)

Primary Examiner — Melanie H Tung

Assistant Examiner — Fritzgerald L Butac

(74) *Attorney, Agent, or Firm* — McCoy Russell LLP

(57) **CLAIM**

An ornamental design for a foldable foot measuring device, as shown and described.

DESCRIPTION

FIG. 1 is a front-left perspective view of a design for a foldable foot measuring device.

FIG. 2 is a back view of the foldable foot measuring device.

FIG. 3 is a front view of the foldable foot measuring device.

FIG. 4 is a right side view of the foldable foot measuring device.

FIG. 5 is a left side view of the foldable foot measuring device.

FIG. 6 is a top view of the foldable foot measuring device.

FIG. 7 is a bottom view of the foldable foot measuring device.

FIG. 8 is a front-left perspective view of the foldable foot measuring device in a partially folded configuration.

FIG. 9 is a back view of the foldable foot measuring device in the partially folded configuration.

FIG. 10 is a front view of the foldable foot measuring device in the partially folded configuration.

FIG. 11 is a right side view of the foldable foot measuring device in the partially folded configuration.

FIG. 12 is a left side view of the foldable foot measuring device in the partially folded configuration.

FIG. 13 is a top view of the foldable foot measuring device in the partially folded configuration.

FIG. 14 is a bottom view of the foldable foot measuring device in the partially folded configuration.

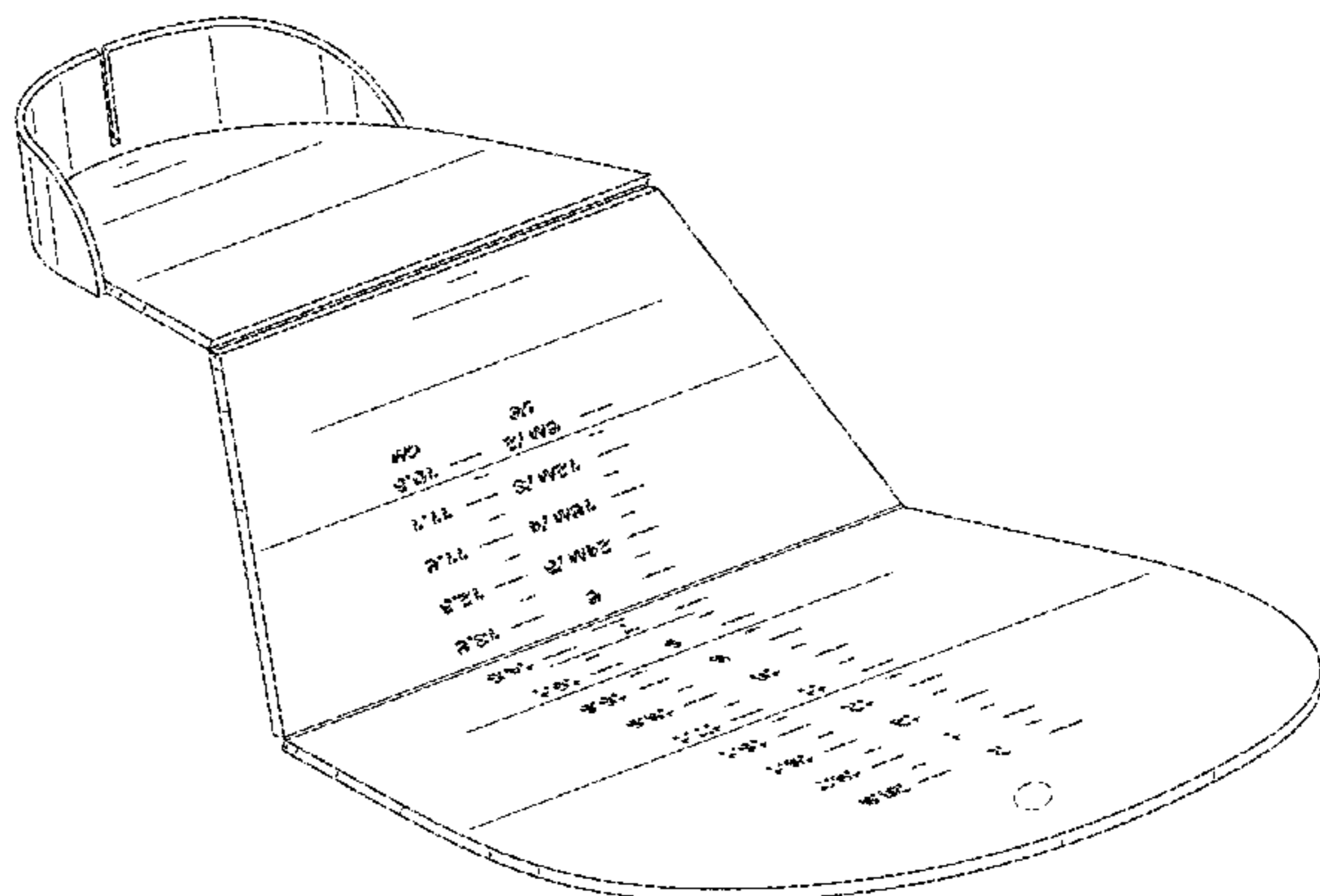
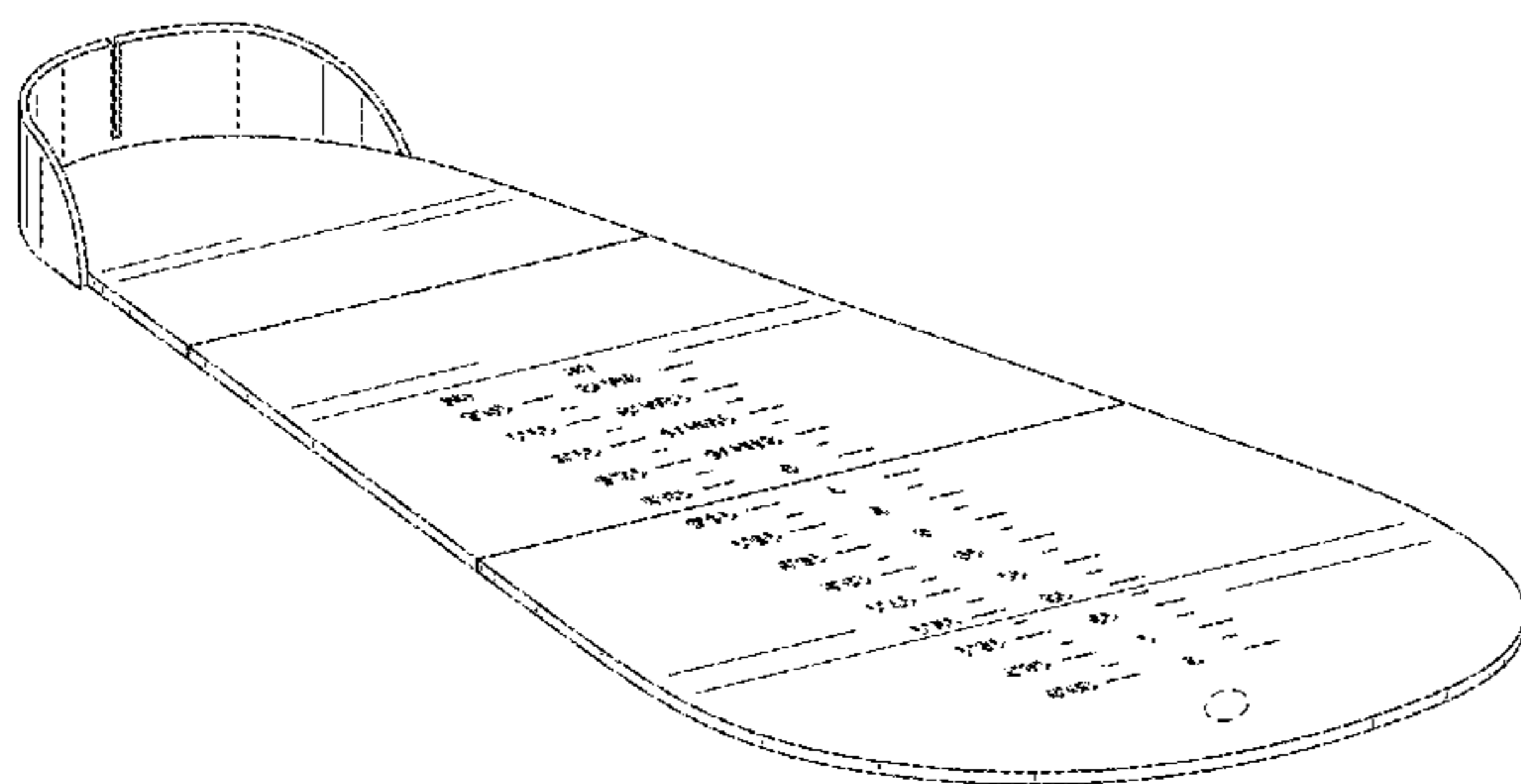
FIG. 15 is a left side view of the foldable foot measuring device in a folded configuration.

FIG. 16 is a right side view of the foldable foot measuring device in the folded configuration.

FIG. 17 is a top view of the foldable foot measuring device in the folded configuration; and,

FIG. 18 is a bottom view of the foldable foot measuring device in the folded configuration.

(Continued)



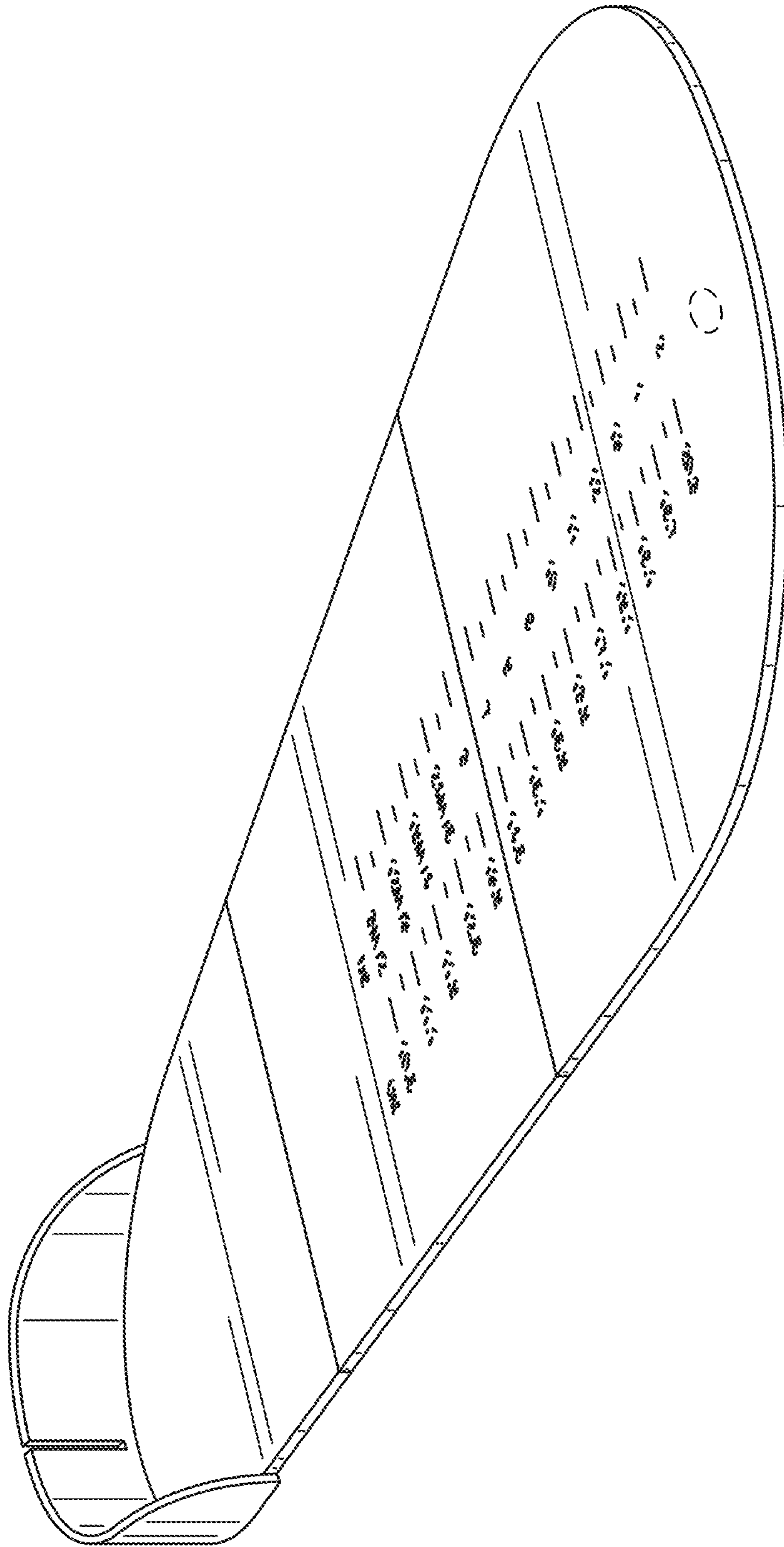


FIG. 1

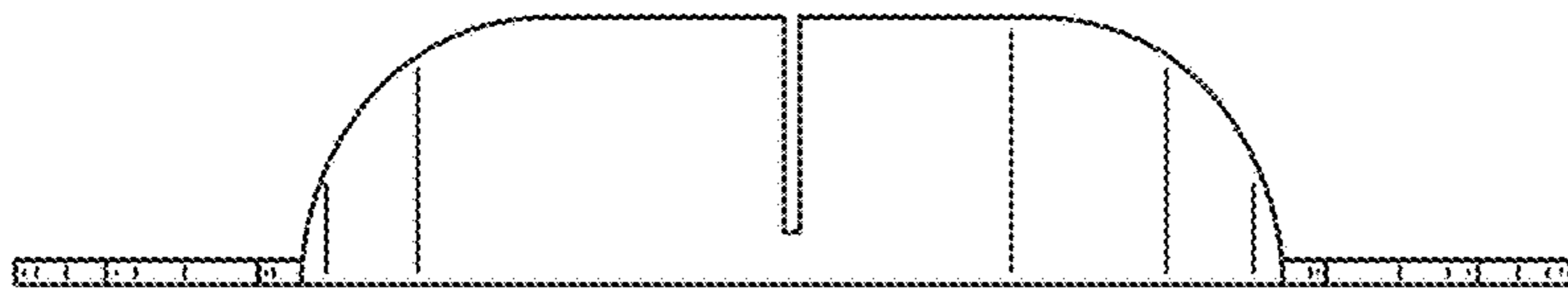


FIG. 2

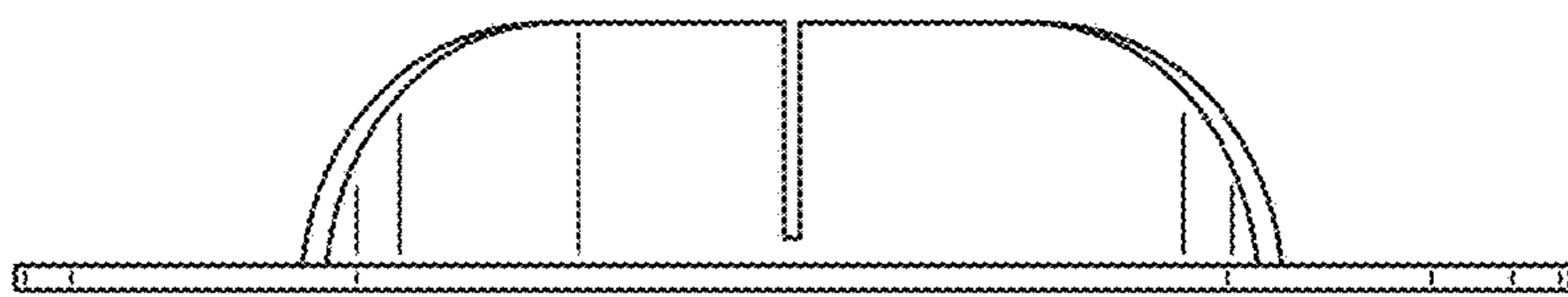


FIG. 3

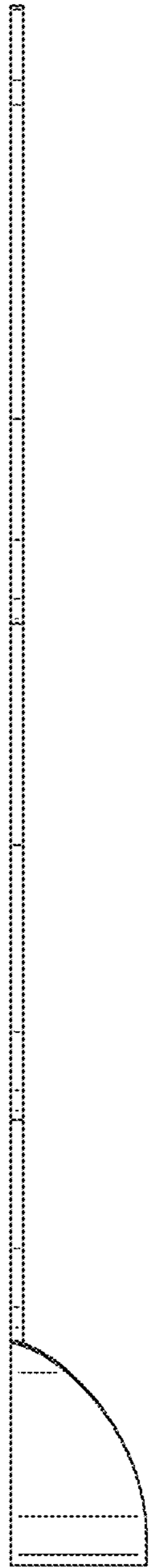


FIG. 4

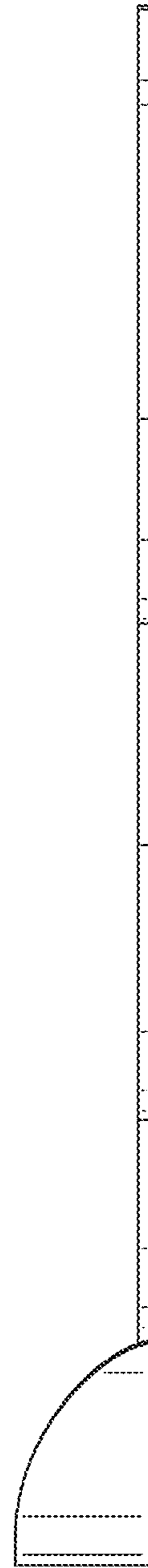


FIG. 5

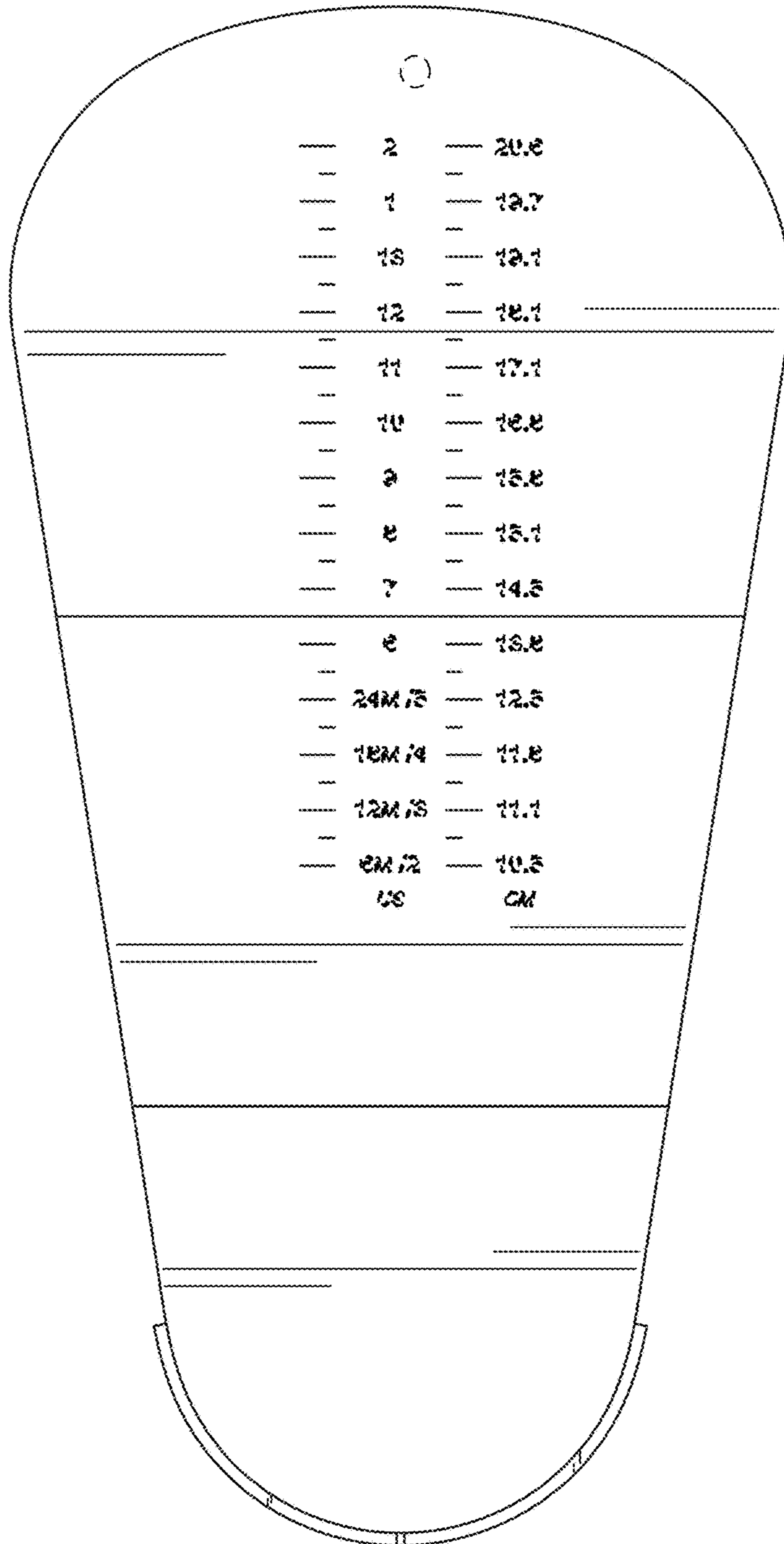


FIG. 6

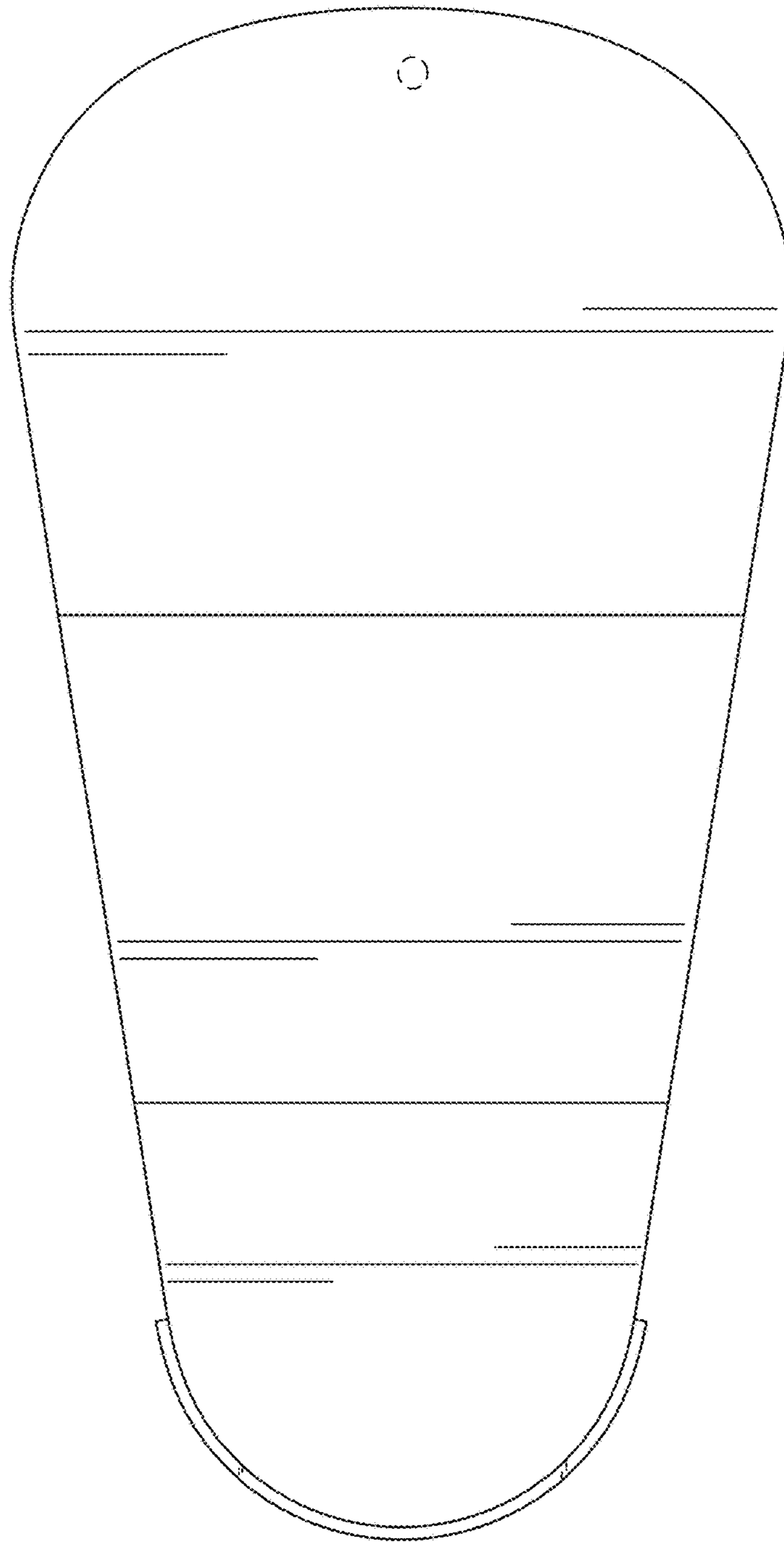


FIG. 7

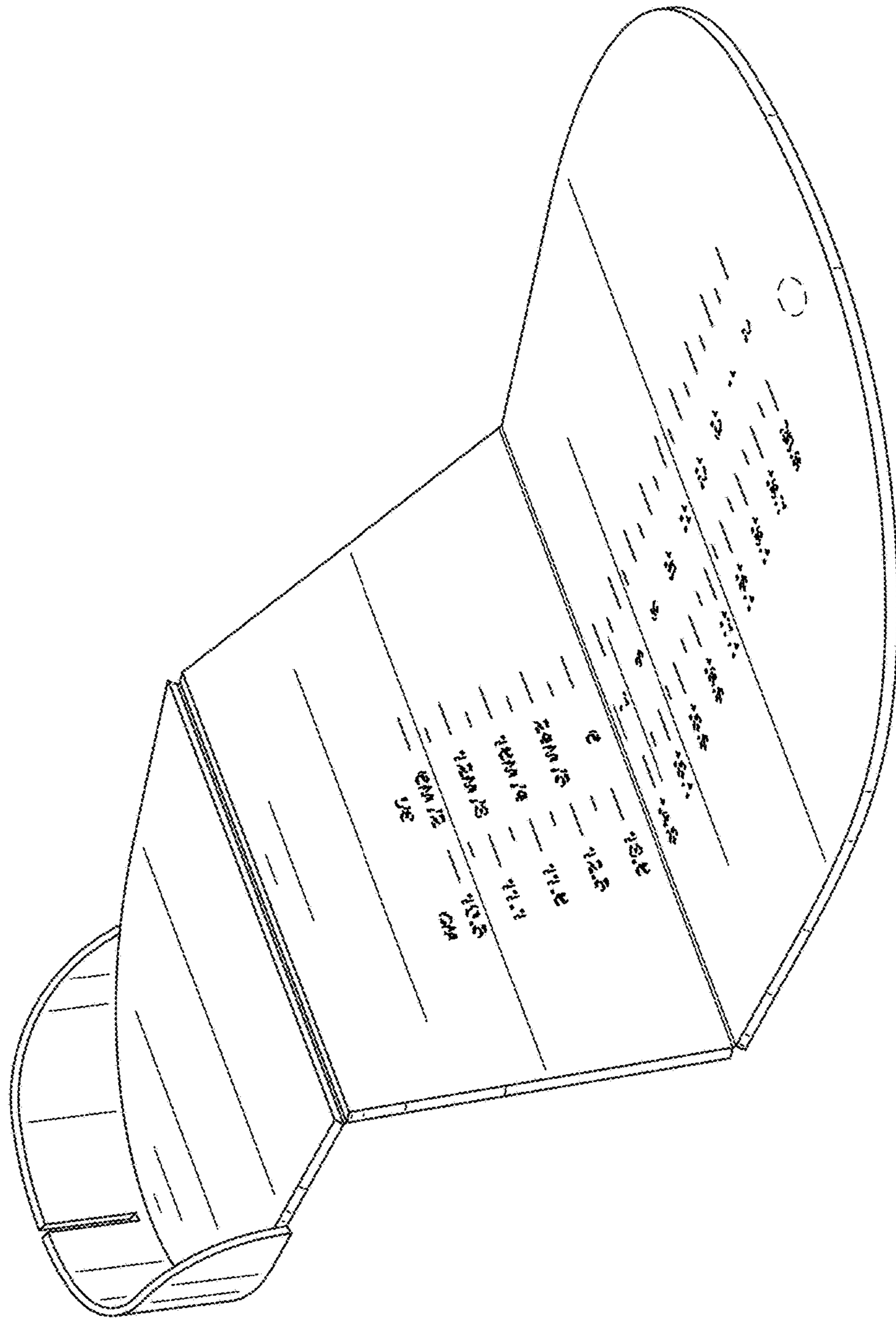


FIG. 8

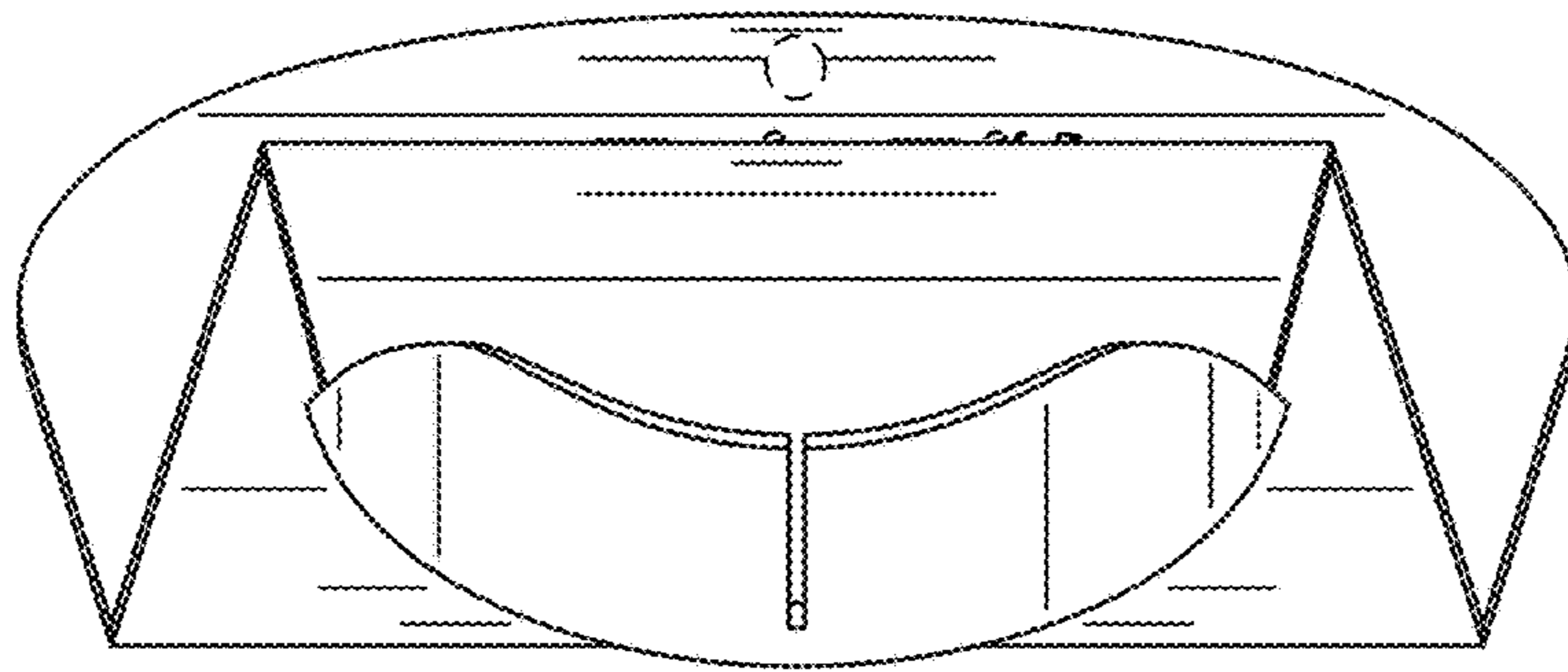


FIG. 9

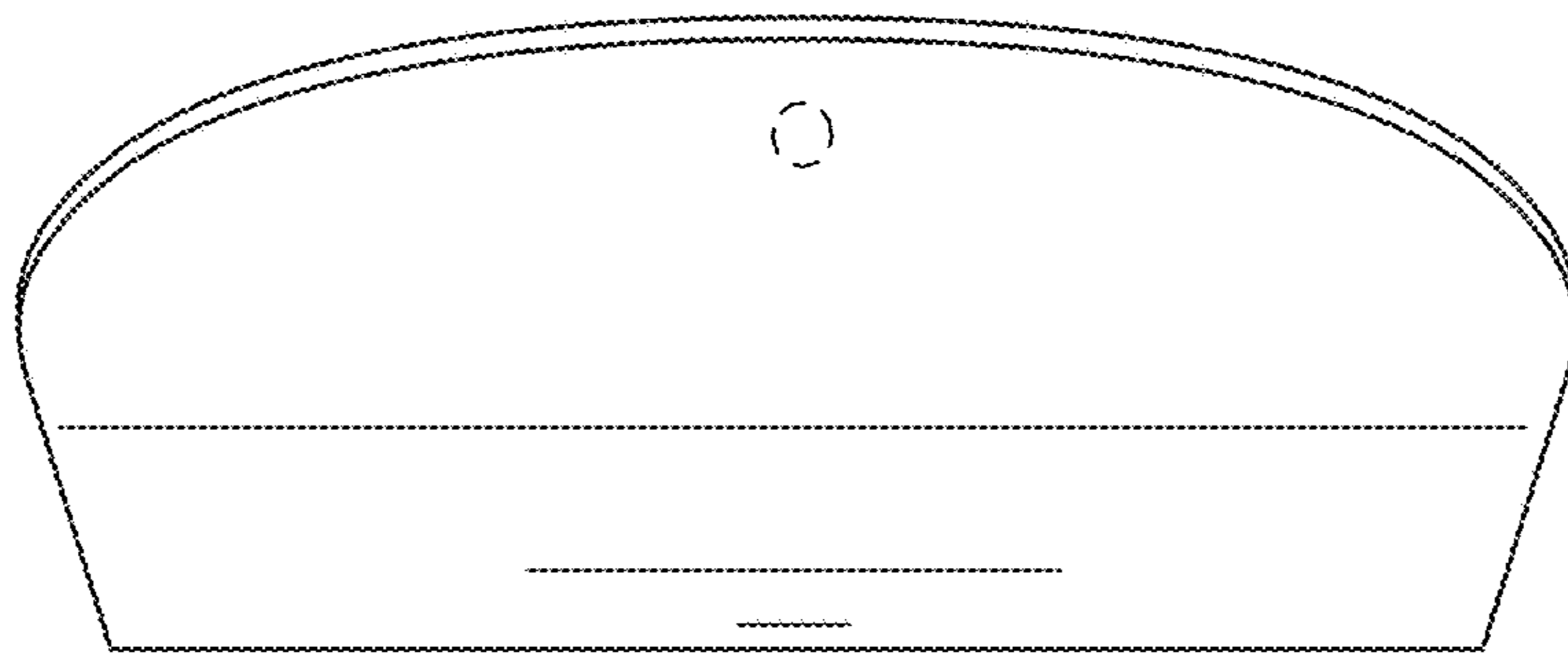


FIG. 10

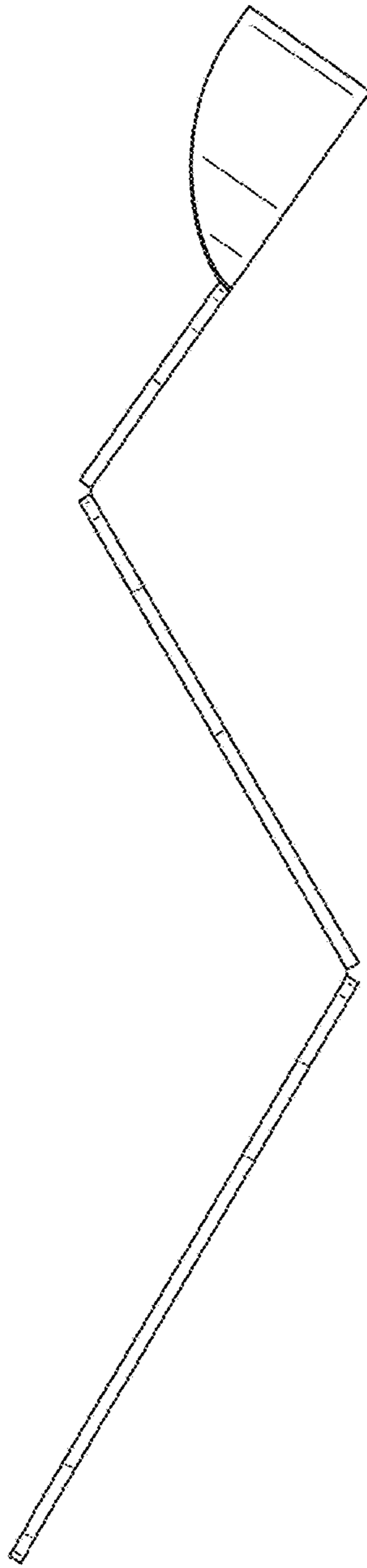


FIG. 11

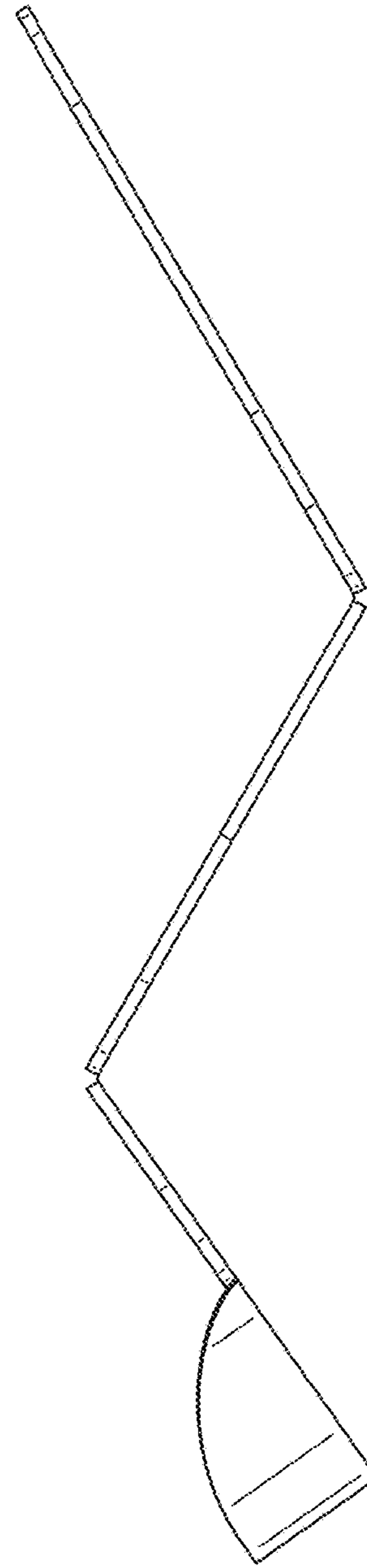


FIG. 12

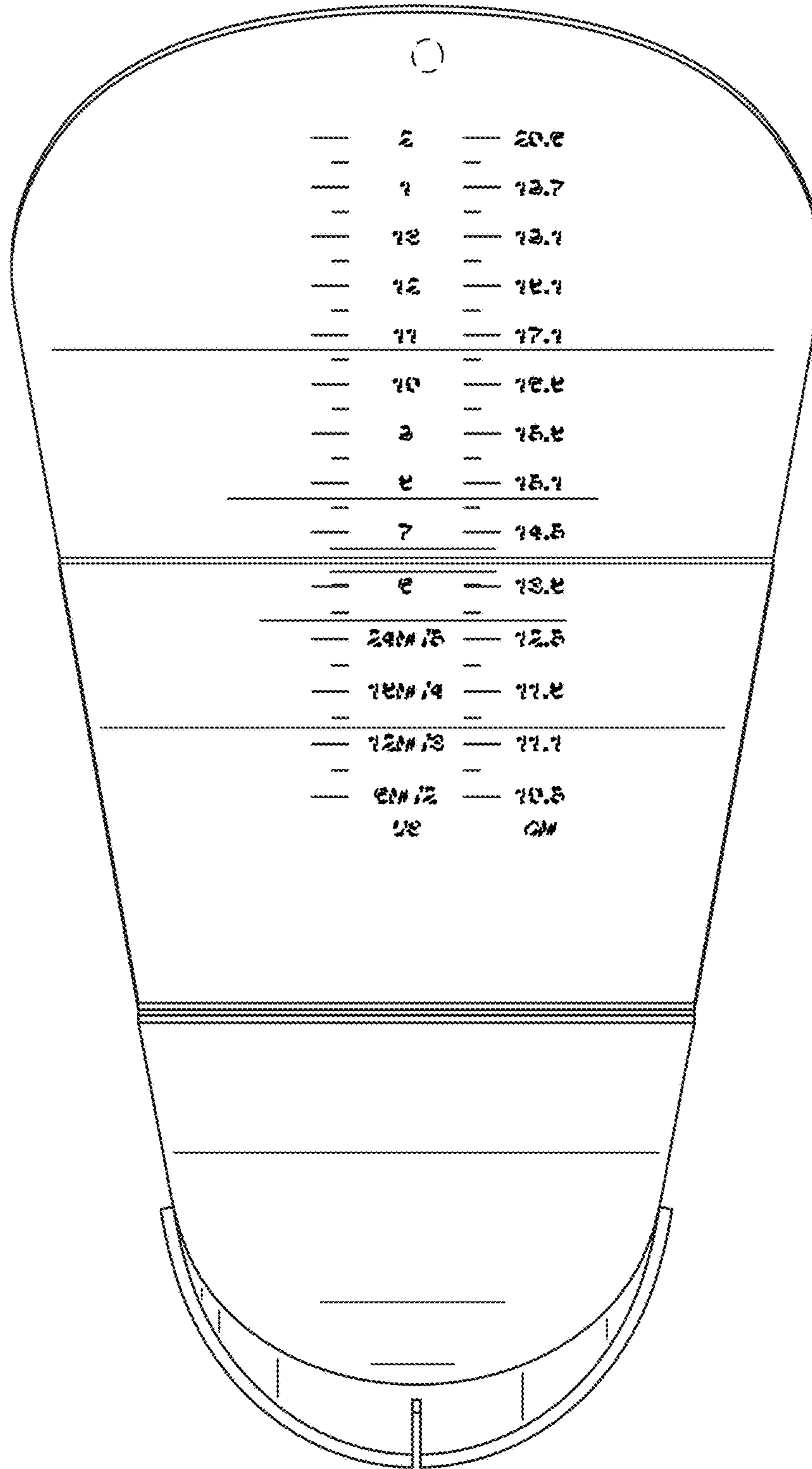


FIG. 13

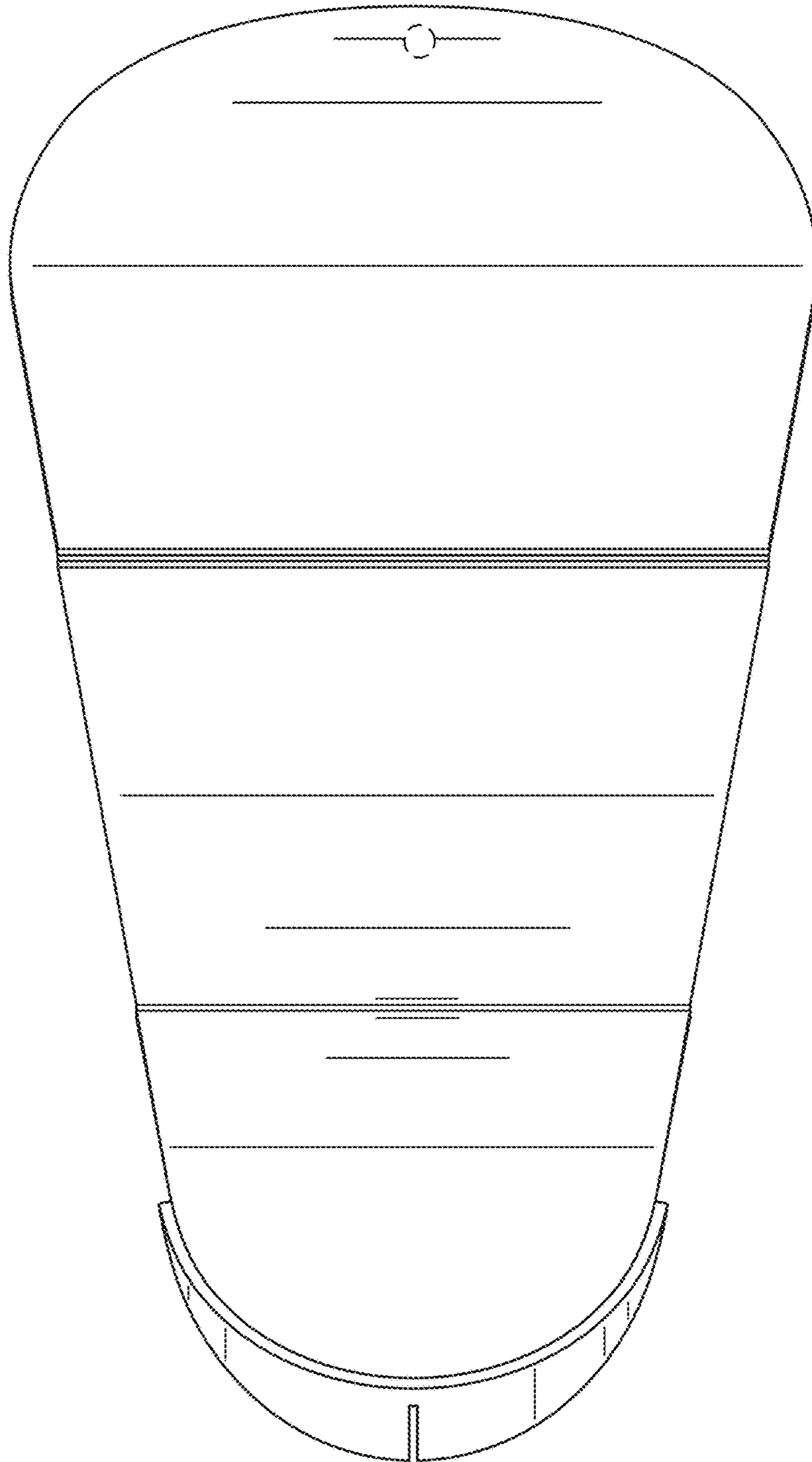


FIG. 14

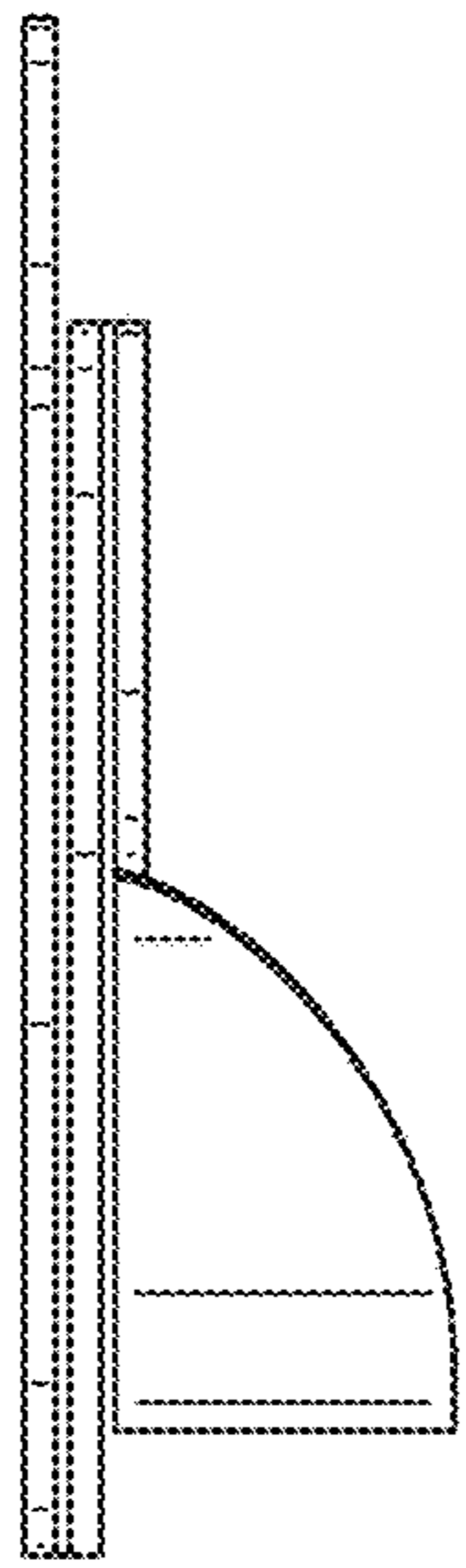


FIG. 15

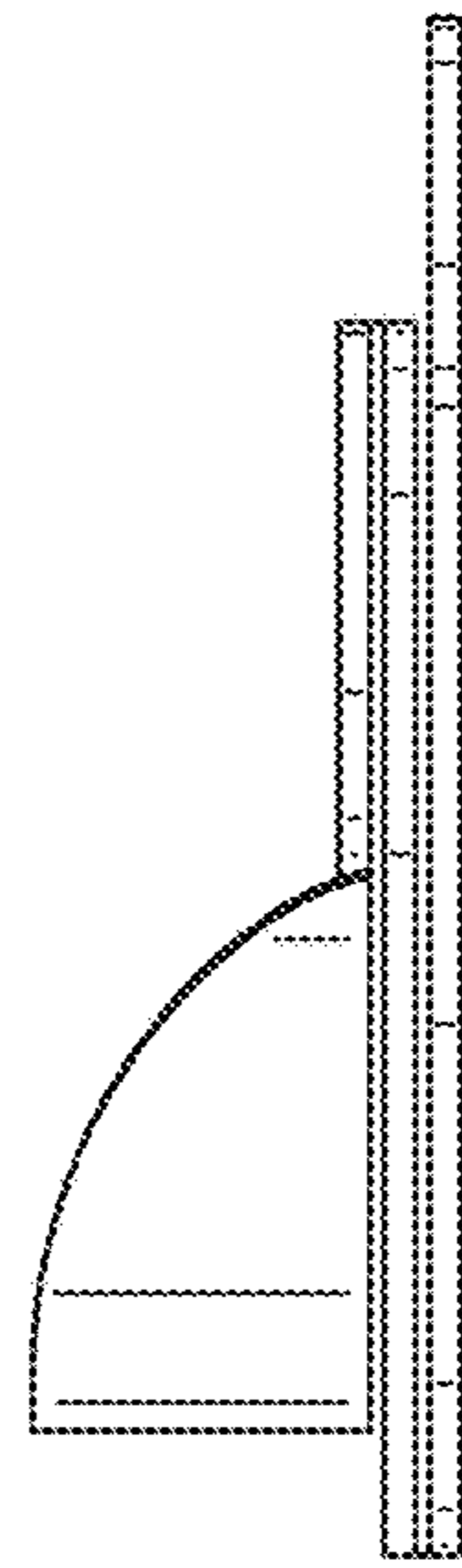


FIG. 16

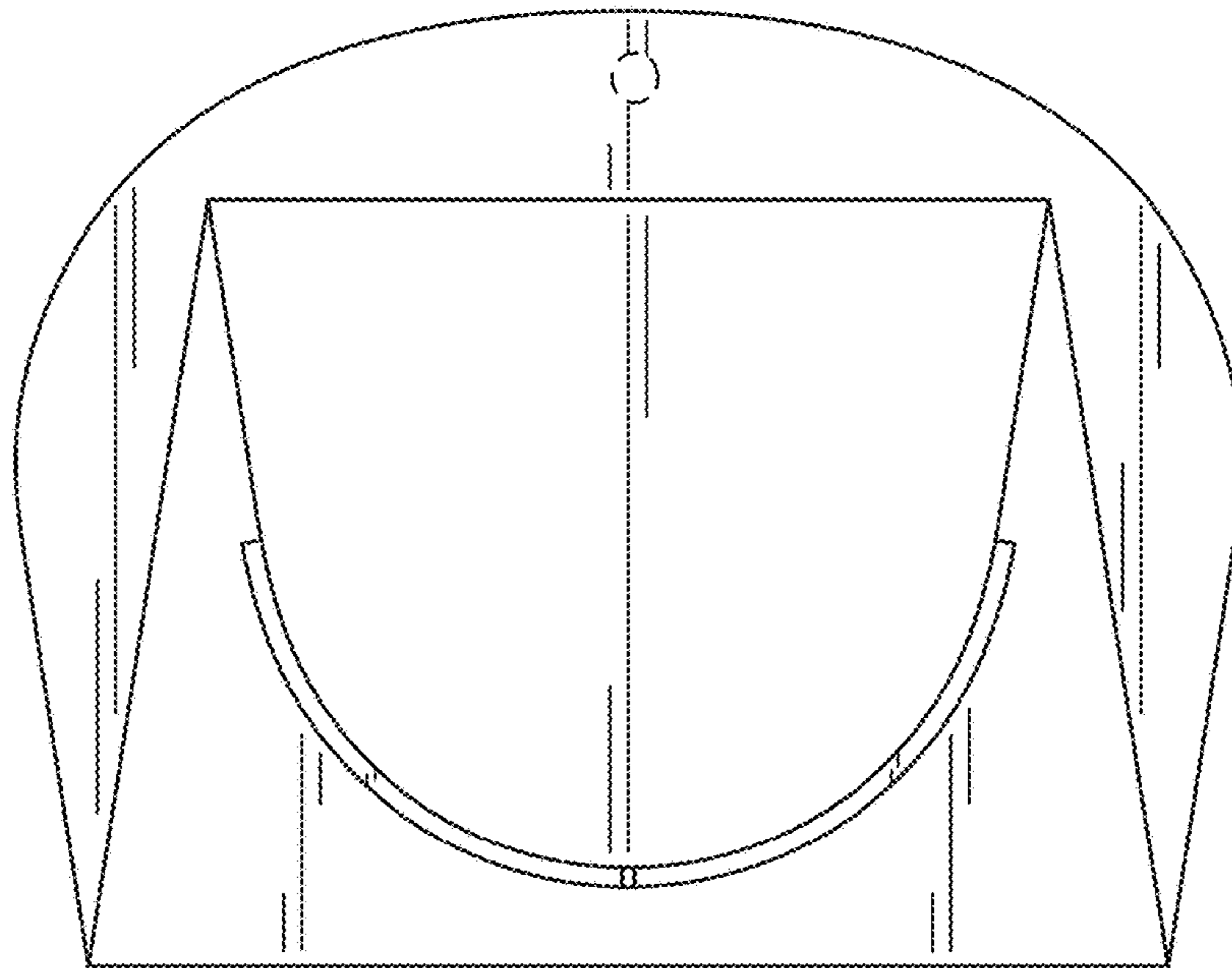


FIG. 17

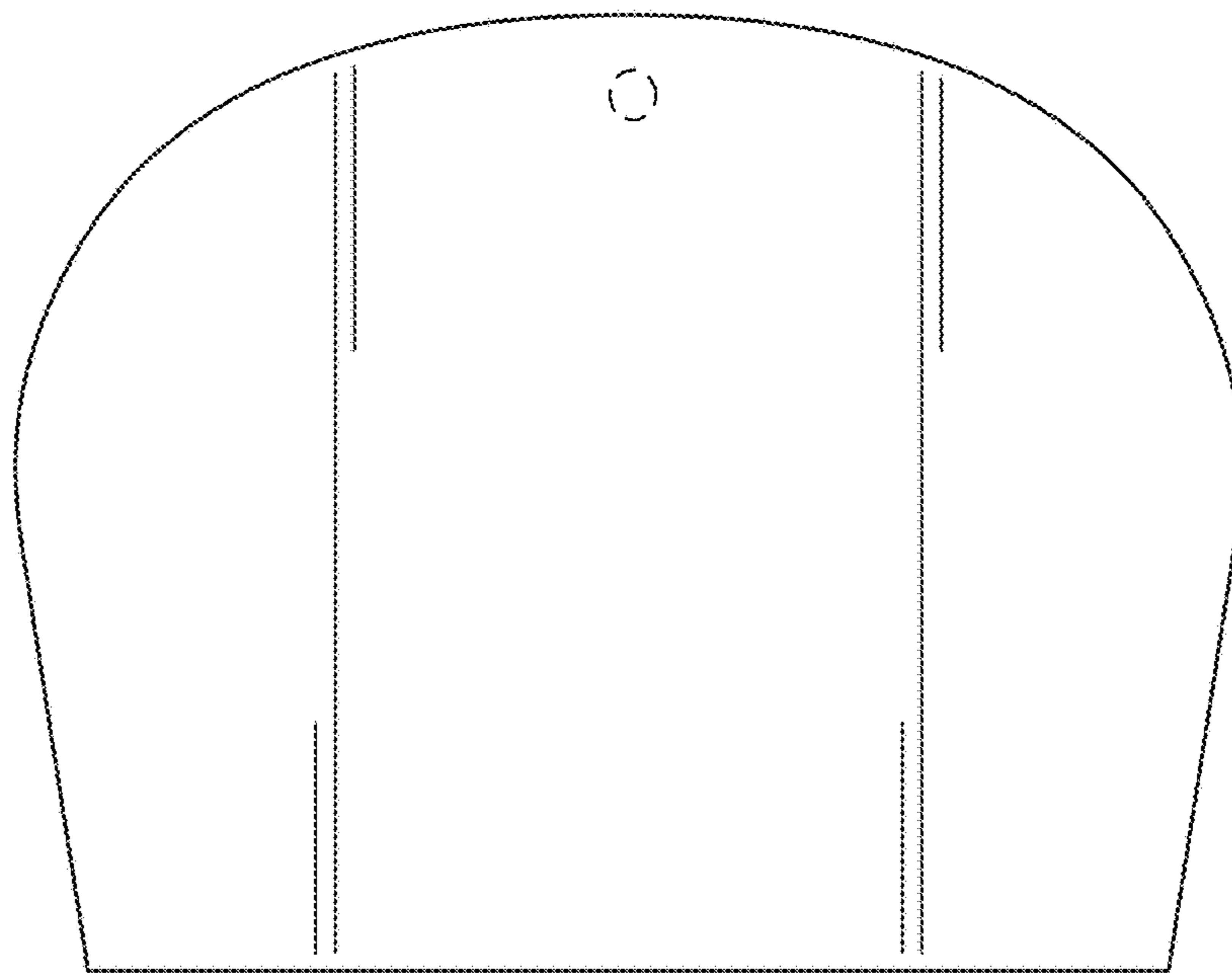


FIG. 18