



US00D840251S

(12) **United States Design Patent** (10) **Patent No.:** **US D840,251 S**  
**Choi** (45) **Date of Patent:** **\*\* Feb. 12, 2019**

(54) **TEMPERATURE-HUMIDITY SENSOR**  
(71) Applicant: **LG ELECTRONICS INC.**, Seoul (KR)  
(72) Inventor: **Taehong Choi**, Seoul (KR)  
(73) Assignee: **LG ELECTRONICS INC.**, Seoul (KR)  
(\*\*) Term: **15 Years**

(21) Appl. No.: **35/503,328**  
(22) Filed: **Jan. 11, 2017**

(80) **Hague Agreement Data**  
Int. Filing Date: **Jan. 11, 2017**  
Int. Reg. No.: **DM/094287**  
Int. Reg. Date: **Jan. 11, 2017**  
Int. Reg. Pub. Date: **Jul. 14, 2017**

(30) **Foreign Application Priority Data**  
Aug. 17, 2016 (KR) ..... 30-2016-0040193  
(51) **LOC (11) Cl.** ..... **10-04**  
(52) **U.S. Cl.**  
USPC ..... **D10/52**  
(58) **Field of Classification Search**  
USPC ..... D10/56, 57, 104.1, 52  
See application file for complete search history.

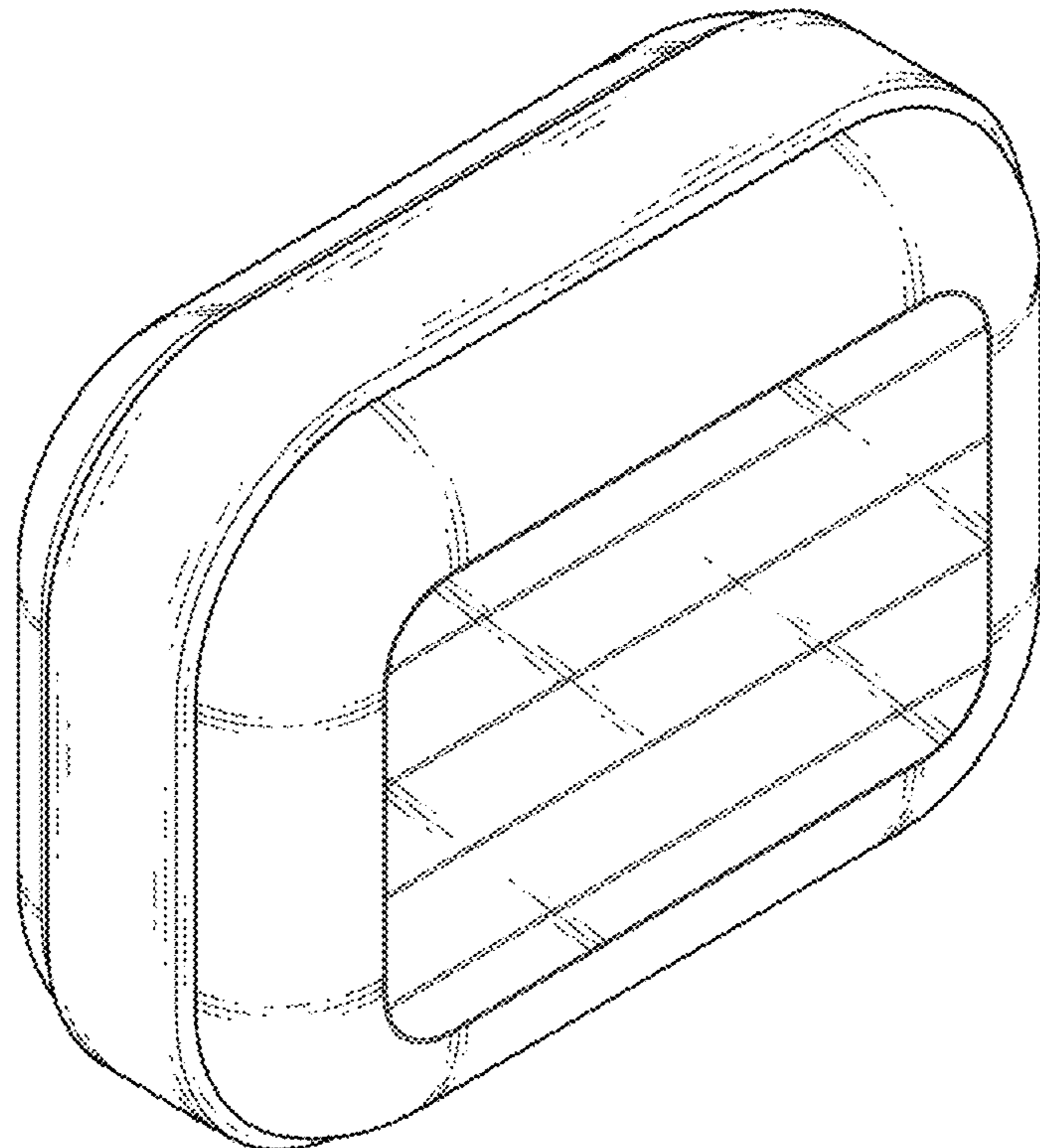
(56) **References Cited**  
U.S. PATENT DOCUMENTS  
D579,800 S \* 11/2008 Mobley ..... D10/57  
D653,130 S \* 1/2012 Borovicka ..... D10/57  
D726,134 S \* 4/2015 Prendes ..... D10/104.1  
D728,395 S \* 5/2015 Roberts ..... D10/104.1  
D744,884 S \* 12/2015 Roberts ..... D10/104.1  
D782,354 S \* 3/2017 Lovin ..... D10/101  
D802,462 S \* 11/2017 Morneau ..... D10/101  
D805,938 S \* 12/2017 Park ..... D10/104.1  
D818,851 S \* 5/2018 Caldwell ..... D10/56

\* cited by examiner  
*Primary Examiner* — George D. Kirschbaum  
(74) *Attorney, Agent, or Firm* — Birch, Stewart, Kolasch & Birch, LLP

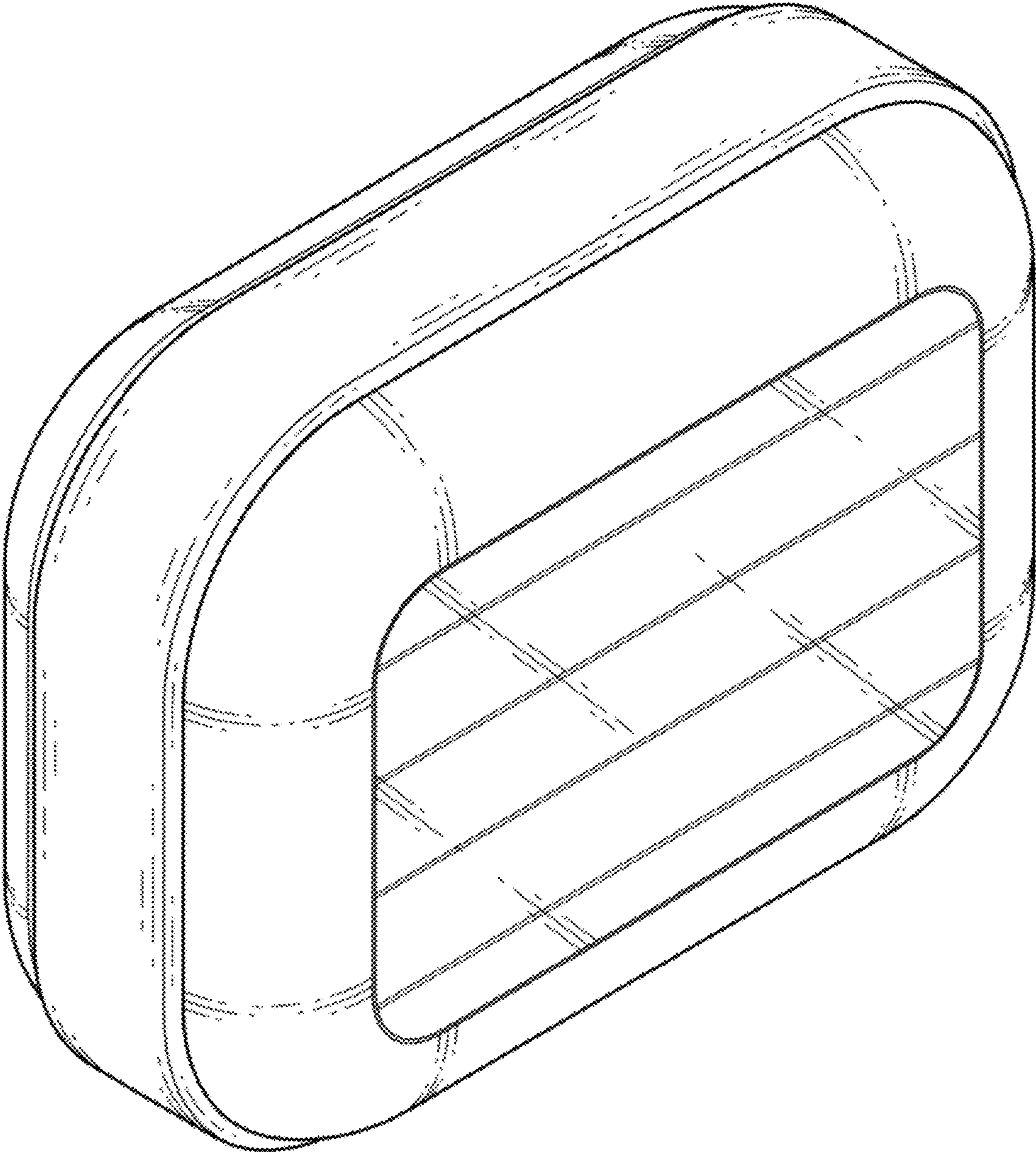
(57) **CLAIM**  
The ornamental design for a temperature-humidity sensor, as shown and described.

**DESCRIPTION**  
1. Temperature-humidity sensor  
1.1 is a perspective view of a temperature-humidity sensor, showing our new design;  
1.2 is a front elevation view thereof;  
1.3 is a rear elevation view thereof;  
1.4 is a left-side elevation view thereof;  
1.5 is a right-side elevation view thereof;  
1.6 is a top plan view thereof; and  
1.7 is a bottom plan view thereof.

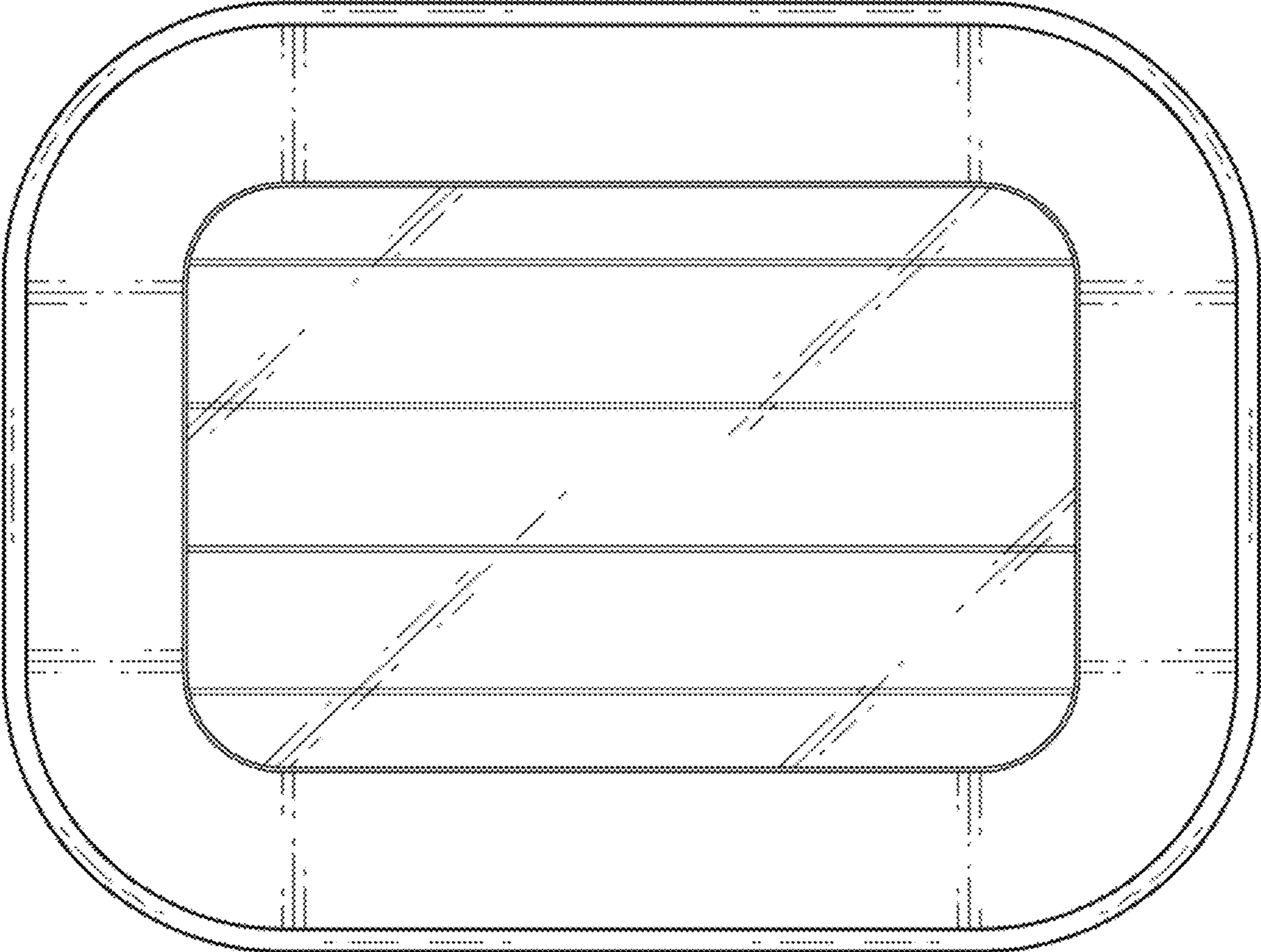
**1 Claim, 7 Drawing Sheets**



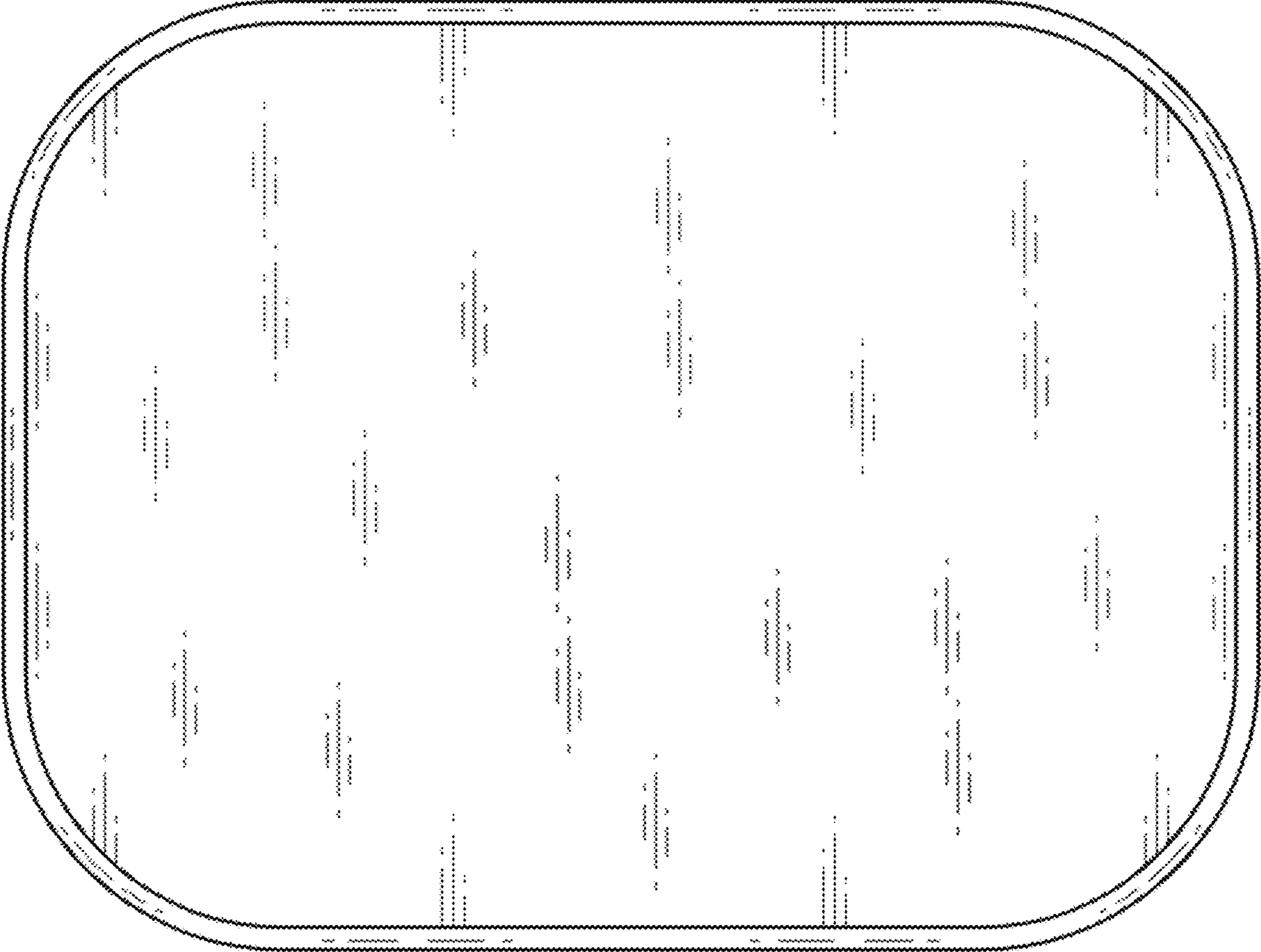
1.1



1.2

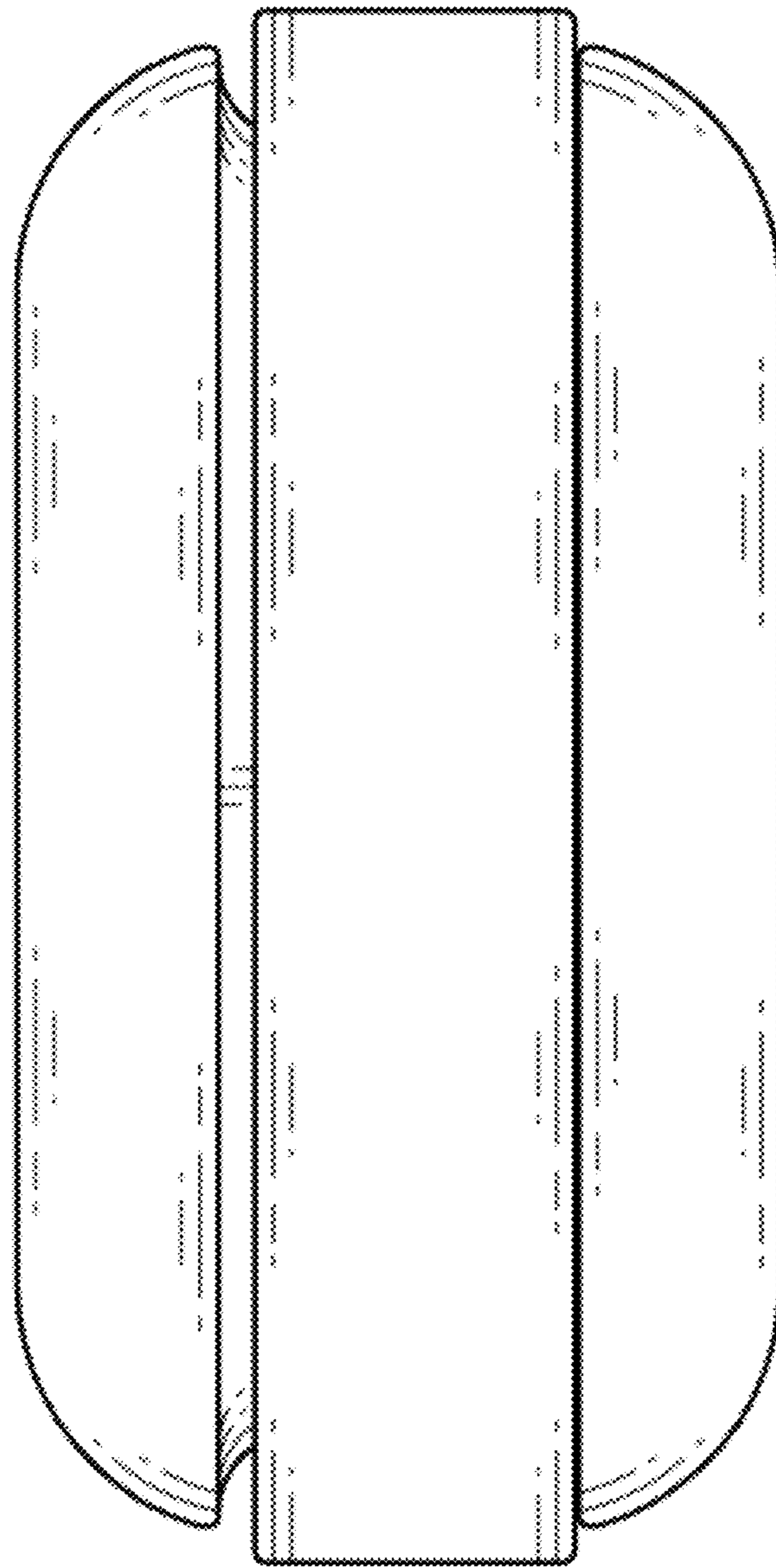


1.3

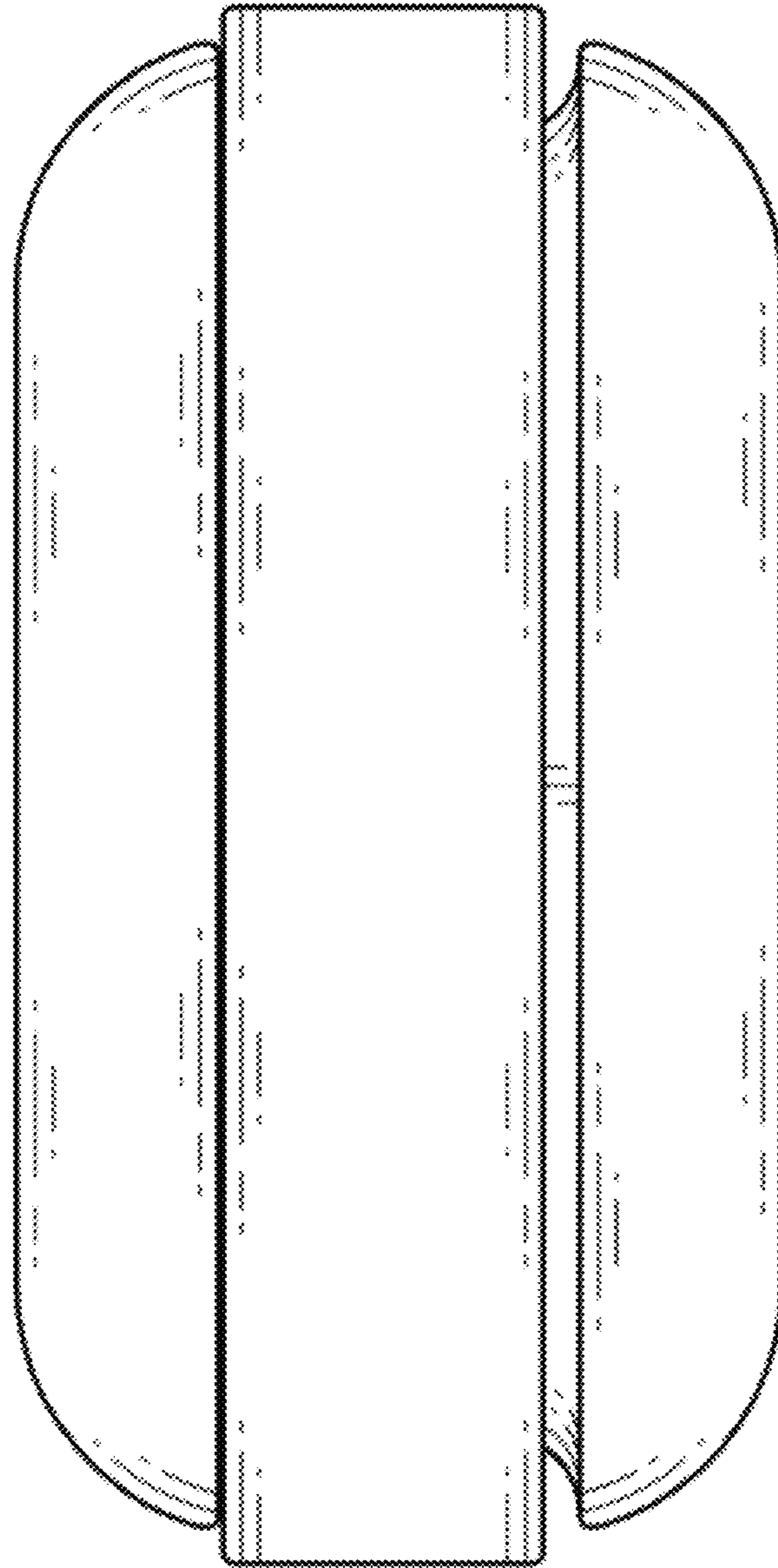




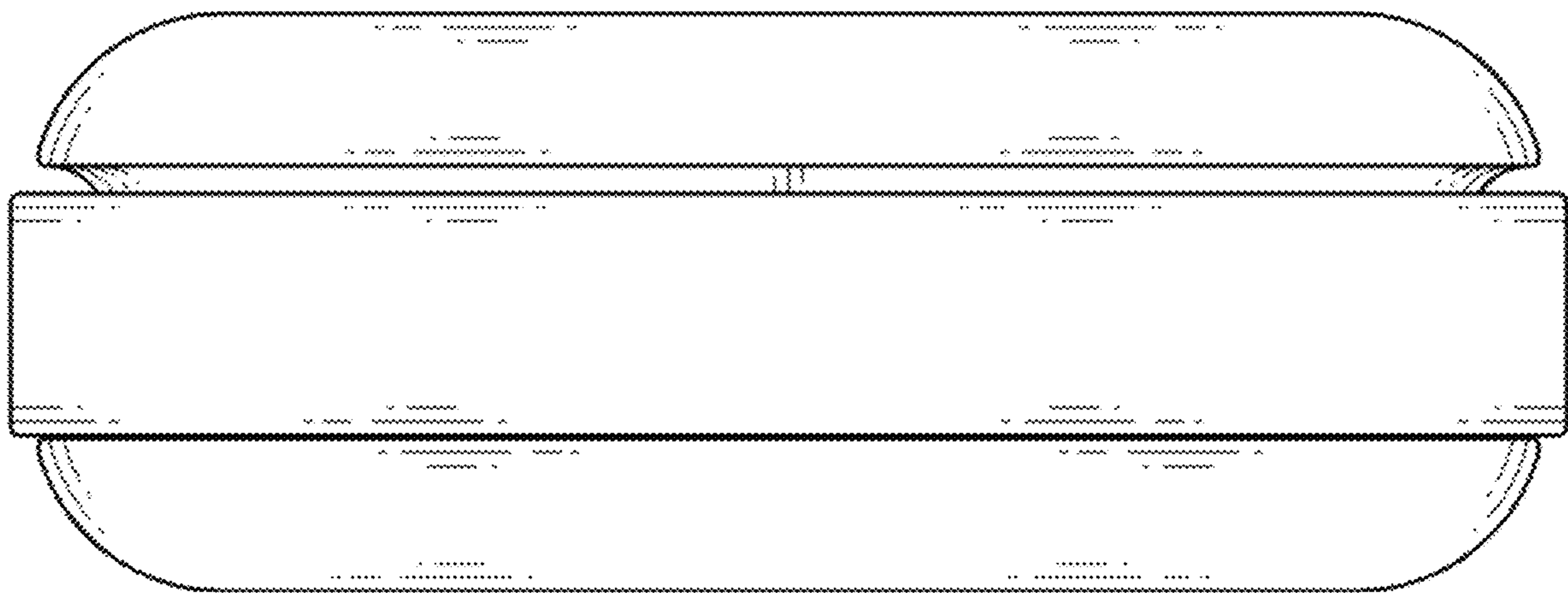
1.4



1.5



1.6



1.7

