



US00D840250S

(12) **United States Design Patent** (10) **Patent No.:** **US D840,250 S**  
**Ducas** (45) **Date of Patent:** **\*\* Feb. 12, 2019**

(54) **WATCH**

FOREIGN PATENT DOCUMENTS

(71) Applicant: **Van Cleef & Arpels SA,**  
Villars-sur-Glane (CH)

JP D2014-12302 \* 6/2014

(72) Inventor: **Sebastien Ducas,** Paris (FR)

OTHER PUBLICATIONS

(73) Assignee: **Van Cleef & Arpels SA,**  
Villars-sur-Glane (CH)

Amazon, Bedat No. 3 Ladies Watch, posted Jan. 14, 2008, [online], [site visited Feb. 27, 2018]. Available from Internet, <URL: https://www.amazon.com/Bedat-Diamond-Stainless-Ladies-304-031-100/dp/B000YN9CXO> (Year: 2008).\*

(\*\*) Term: **15 Years**

Amazon, Ferragamo Women's Watch, posted Nov. 19, 2015, [online], [site visited Feb. 27, 2018]. Available from Internet, <URL: https://www.amazon.com/Salvatore-Ferragamo-Signature-Stainless-Leather/dp/B0187WPCJQ> (Year: 2015).\*

(21) Appl. No.: **29/605,694**

(22) Filed: **May 30, 2017**

\* cited by examiner

(30) **Foreign Application Priority Data**

Nov. 30, 2016 (WO) ..... 1541801

(51) **LOC (11) Cl.** ..... **10-02**

(52) **U.S. Cl.**  
USPC ..... **D10/39**

(58) **Field of Classification Search**

USPC ..... D10/1, 30, 31, 33, 34, 37, 38, 39, 6, 7,  
D10/18, 122, 123, 124, 126; D11/1, 2  
CPC ..... G04B 3/04; G04B 3/048; G04B 19/02;  
G04B 19/04; G04B 19/044; G04B  
19/048; G04B 19/06; G04B 19/065;  
G04B 19/10; G04B 5/005; G04B 5/20;  
G04B 19/12; G04B 19/24; G04B 19/26

See application file for complete search history.

(56) **References Cited**

U.S. PATENT DOCUMENTS

D289,615 S \* 5/1987 Thomke ..... D10/33  
D340,648 S \* 10/1993 Scheuffle ..... D10/126  
D340,870 S \* 11/1993 Kishimoto ..... D10/30  
D416,810 S \* 11/1999 Samizo ..... D10/30  
D421,917 S \* 3/2000 Wunderman ..... D10/30  
D653,564 S \* 2/2012 Eida ..... D10/32

*Primary Examiner* — Sheryl Lane

*Assistant Examiner* — Samantha N Wood

(74) *Attorney, Agent, or Firm* — Taft Stettinius &  
Hollister LLP

(57) **CLAIM**

The ornamental design of a watch, as shown and described.

**DESCRIPTION**

FIG. 1 is a front elevation view of a watch showing my new design;

FIG. 2 is a back elevation view thereof;

FIG. 3 is a top plan view thereof;

FIG. 4 is a bottom plan view thereof;

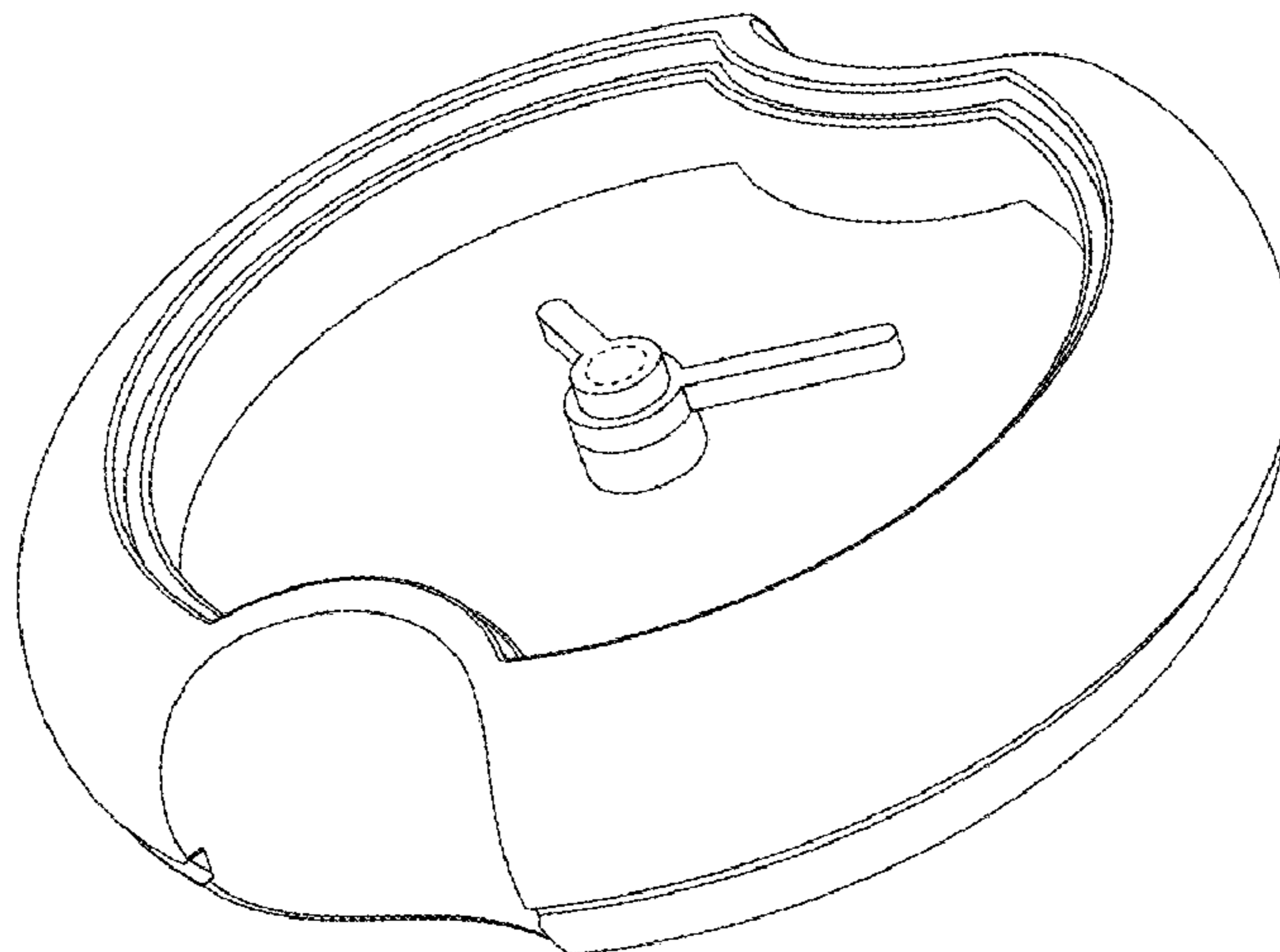
FIG. 5 is a left side elevation view thereof;

FIG. 6 is a right side elevation view thereof; and,

FIG. 7 is a front, right side perspective view thereof.

The broken lines in the drawing figures depict unclaimed subject matter that forms no part of the claimed design.

**1 Claim, 2 Drawing Sheets**



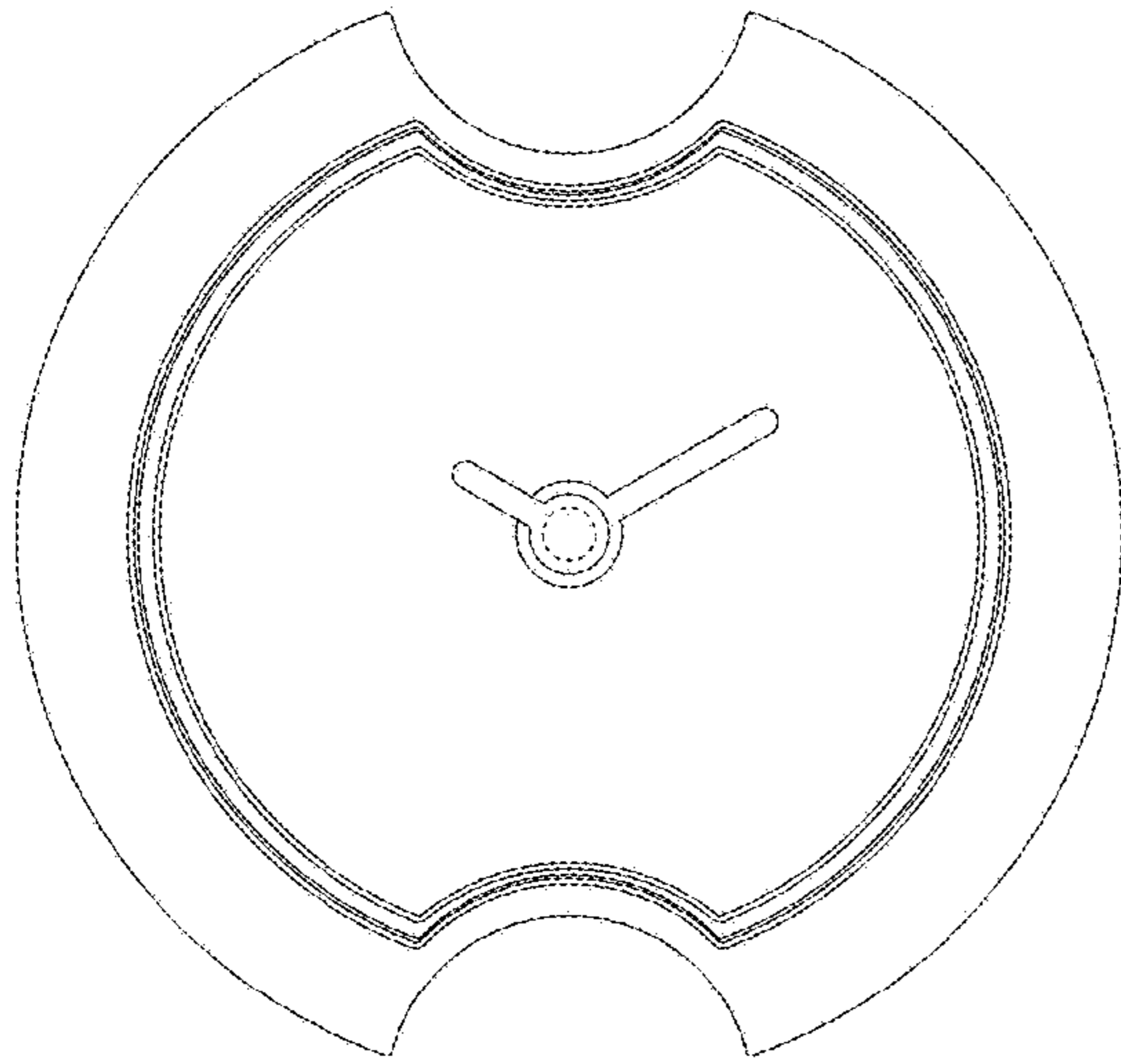


Fig. 1

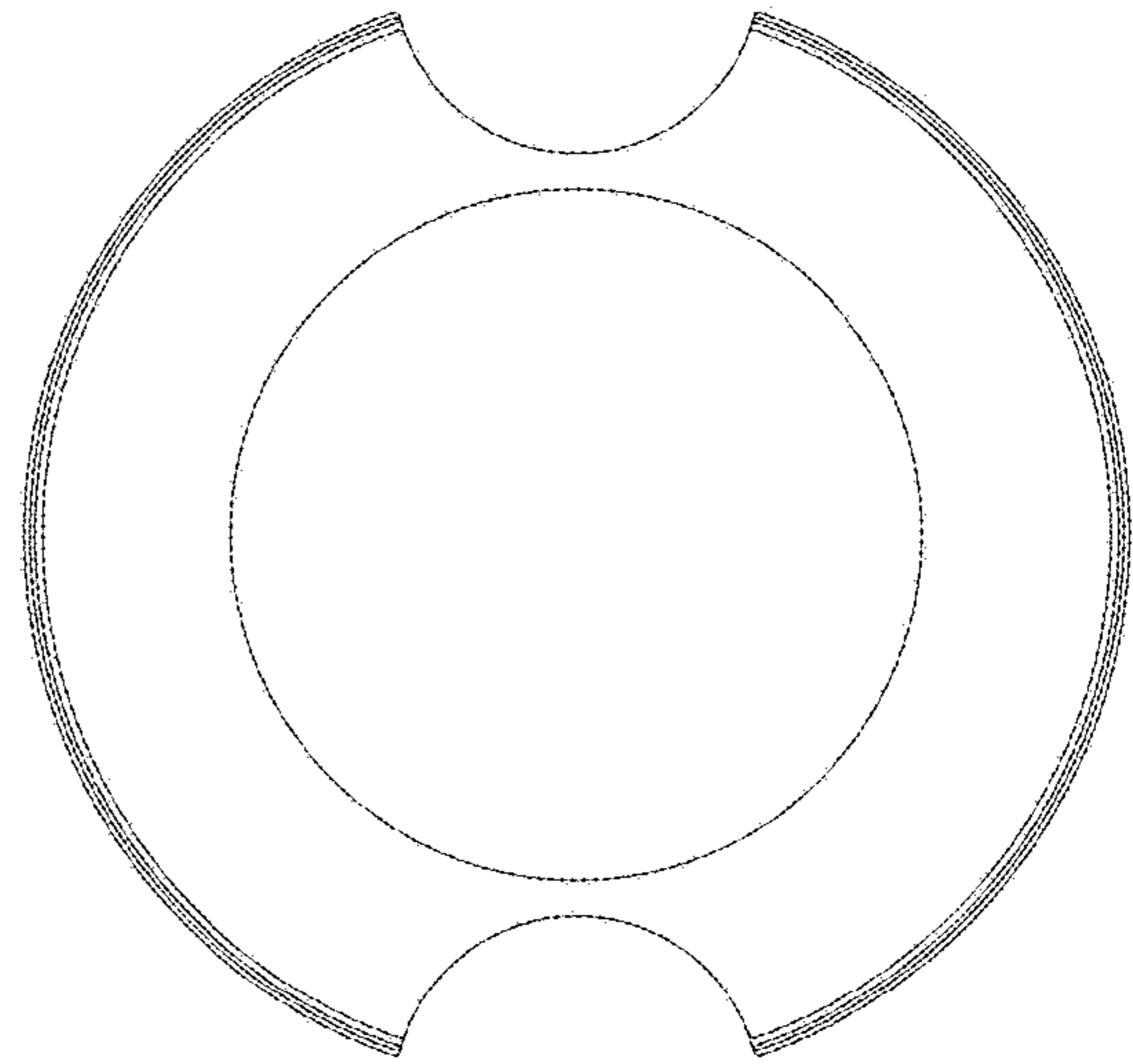


Fig. 2

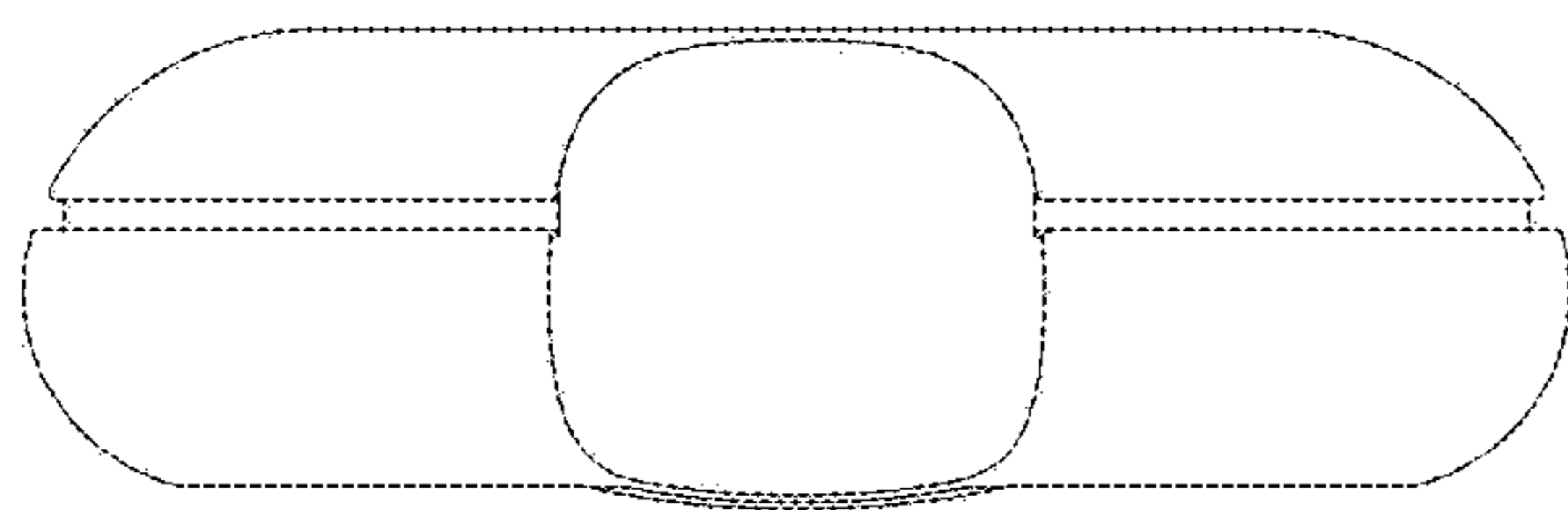


Fig. 3

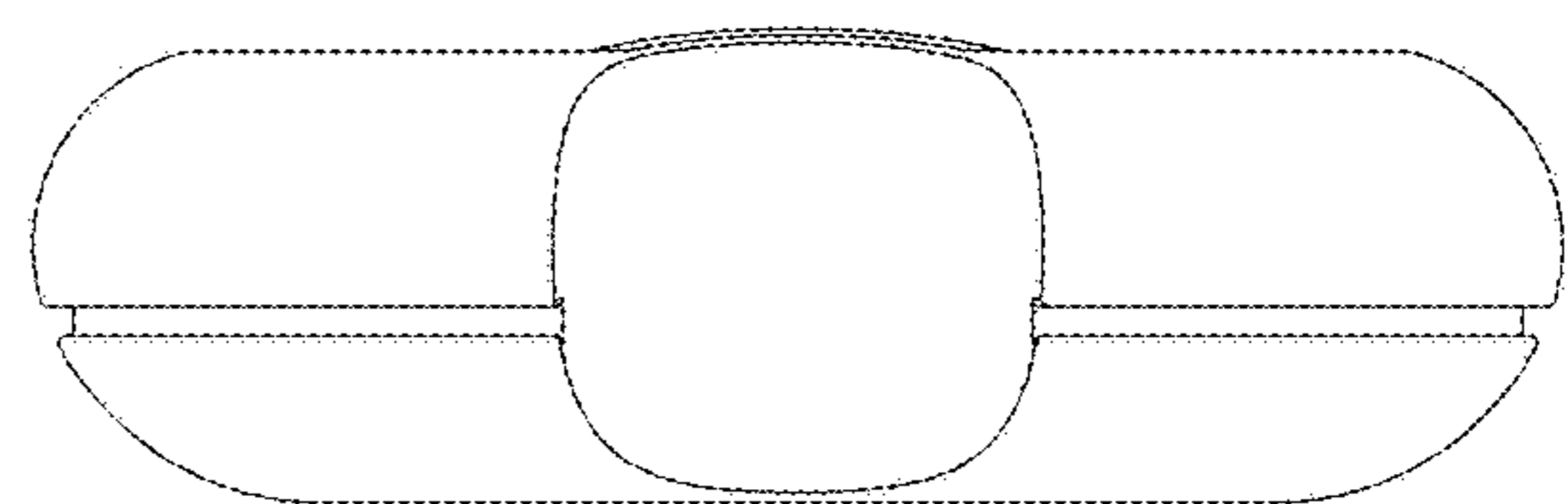


Fig. 4

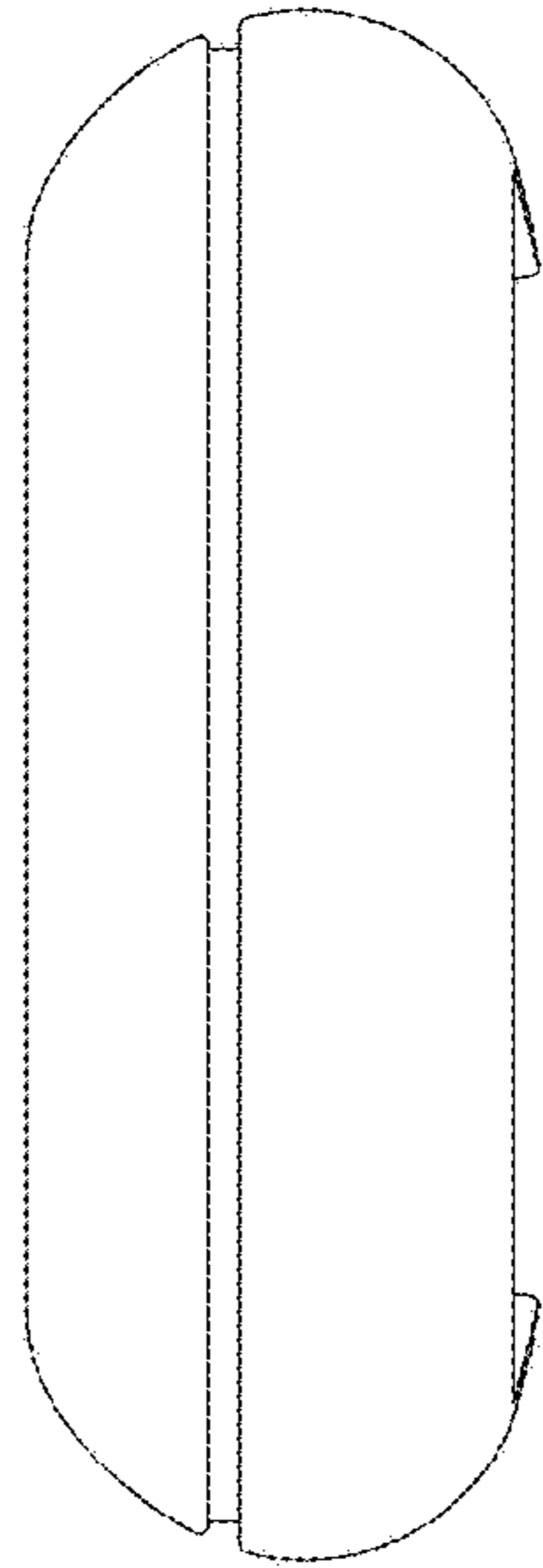


Fig. 5

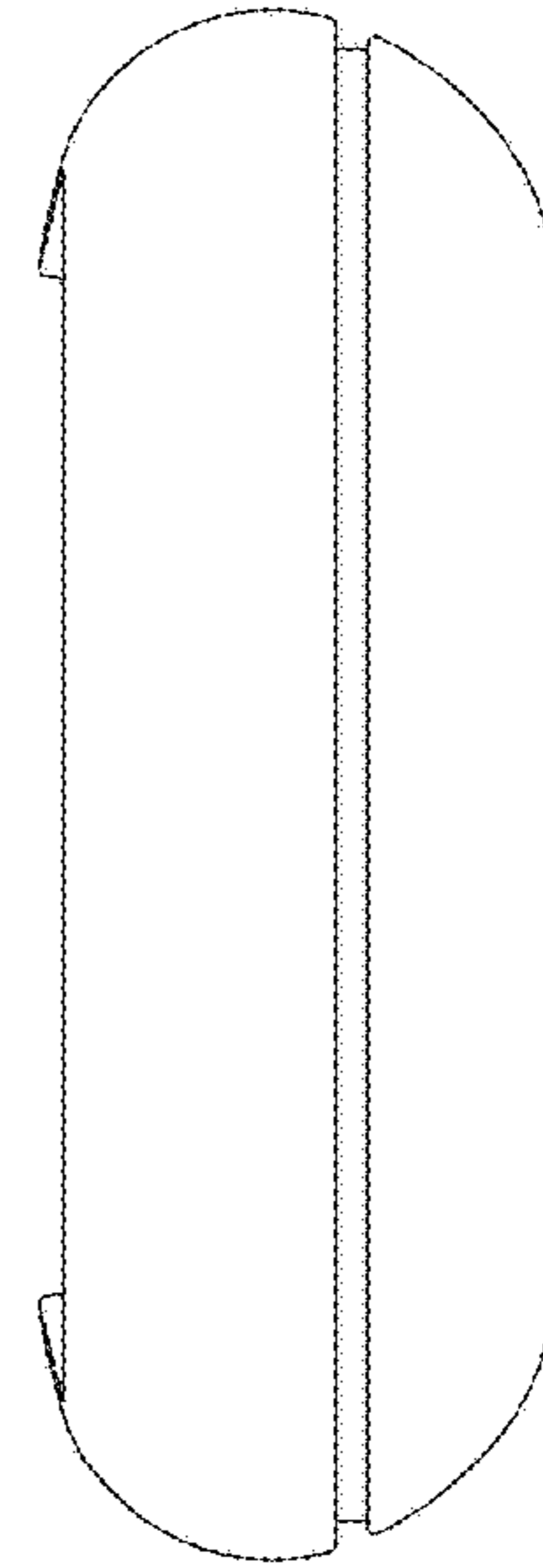


Fig. 6

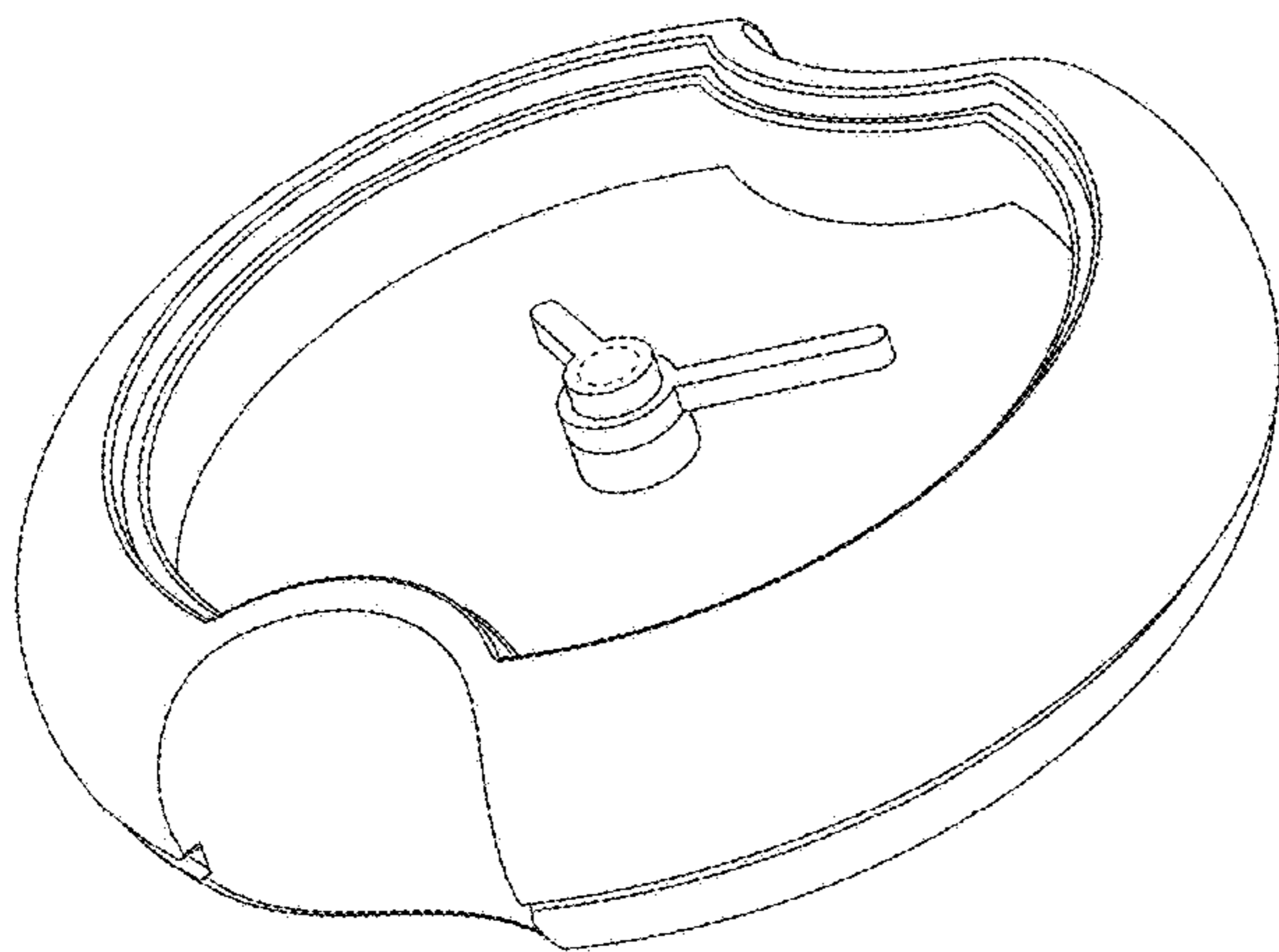


Fig. 7