



US00D840249S

(12) **United States Design Patent** (10) **Patent No.:** **US D840,249 S**  
**Payne** (45) **Date of Patent:** **\*\* Feb. 12, 2019**

- (54) **EXPANDABLE TRAY**
- (71) Applicant: **REPUBLIC TOBACCO L.P.**,  
Glenview, IL (US)
- (72) Inventor: **Cody Payne**, Portland, OR (US)
- (73) Assignee: **REPUBLIC TOBACCO L.P.**,  
Glenview, IL (US)
- (\*\*) Term: **15 Years**
- (21) Appl. No.: **29/592,472**
- (22) Filed: **Jan. 31, 2017**
- (51) **LOC (11) Cl.** ..... **09-03**
- (52) **U.S. Cl.**  
USPC ..... **D9/760**
- (58) **Field of Classification Search**  
USPC ..... D9/737, 756, 759, 760, 456, 347;  
D3/901, 304, 305, 310, 313, 315;  
D6/406.6; D19/77, 78; D7/553.2, 553.3,  
D7/553.8; D12/416, 419, 425, 426;  
206/214, 216, 561, 557, 558, 563, 564,  
206/566; 220/555, DIG. 12; 294/172  
CPC ..... A24C 5/44; Y10S 206/823; Y10T 436/25  
See application file for complete search history.

(56) **References Cited**

**U.S. PATENT DOCUMENTS**

- 3,637,278 A \* 1/1972 Easterbrooks ..... A45D 40/22  
132/294
- D331,942 S \* 12/1992 Kirchner ..... D19/75
- D333,237 S \* 2/1993 Plaut ..... D7/549
- D333,842 S \* 3/1993 Kirchner ..... D19/75
- D365,732 S \* 1/1996 Kellen ..... D6/705.7

(Continued)

**OTHER PUBLICATIONS**

Cookies Harvest Club Rolling Tray, available Dec. 21, 2015, [online], [site visited Mar. 4, 2018]. Available from internet, <URL: [https://www.amazon.co.uk/dp/B019NRXW00/ref=psdc\\_334752011\\_t1\\_B01BJT13RE](https://www.amazon.co.uk/dp/B019NRXW00/ref=psdc_334752011_t1_B01BJT13RE) (Year: 2015).\*

Cookies Harvest Club Rolling Tray with removable small tray, available Oct. 19, 2014, [online], [site visited Mar. 4, 2018]. Available from internet, <URL: <https://www.amazon.co.uk/Cookies-Harvest-Tobacco-Rolling-removable/dp/B00ONMWS81> (Year: 2014).\*

(Continued)

*Primary Examiner* — Cathron C Brooks

*Assistant Examiner* — W. A. Teddy Falloway

(74) *Attorney, Agent, or Firm* — Michael Best & Friedrich LLP

(57) **CLAIM**

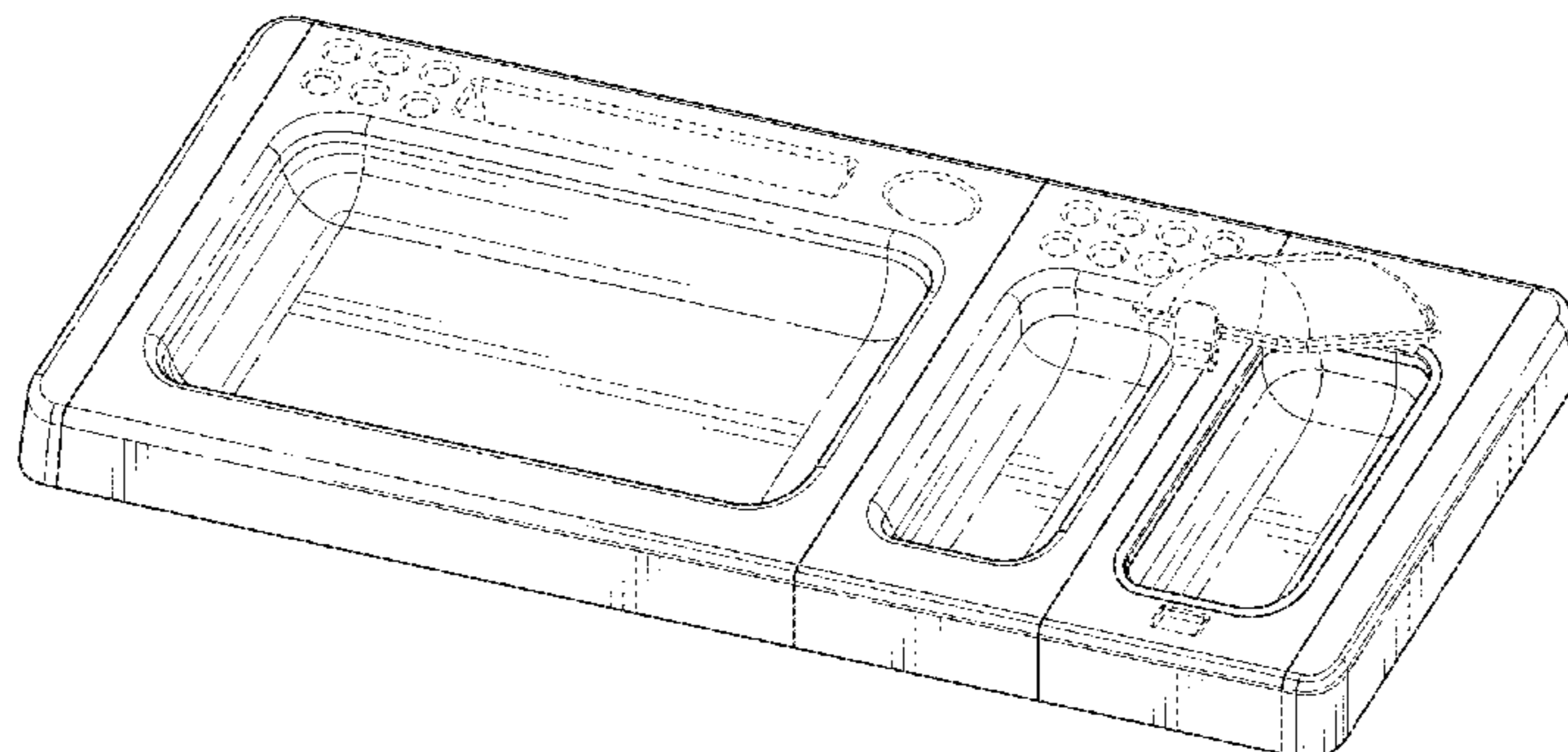
The ornamental design for an expandable tray, as shown and described.

**DESCRIPTION**

FIG. 1 is a perspective view of an expandable tray according to a first embodiment of the present invention;  
 FIG. 2 is a front elevational view of the expandable tray of FIG. 1;  
 FIG. 3 is a back elevational view of the tray of FIG. 1;  
 FIG. 4 is a left elevational view of the tray of FIG. 1;  
 FIG. 5 is a right elevational view of the tray of FIG. 1;  
 FIG. 6 is a top plan view of the tray of FIG. 1;  
 FIG. 7 is a bottom plan view of the tray of FIG. 1;  
 FIG. 8 is a perspective view of an expandable tray of a second embodiment of the present invention;  
 FIG. 9 is a front elevational view of the expandable tray of FIG. 8;  
 FIG. 10 is a back elevational view of the expandable tray of FIG. 8;  
 FIG. 11 is a left elevational view of the expandable tray of FIG. 8;  
 FIG. 12 is a right elevational view of the expandable tray of FIG. 8;  
 FIG. 13 is a top plan view of the expandable tray of FIG. 8;  
 and,  
 FIG. 14 is a bottom plan view of the expandable tray of FIG. 8.

The broken lines in the drawings illustrate portions of the expandable tray and form no part of the claimed design.

**1 Claim, 8 Drawing Sheets**



(56)

**References Cited**

## U.S. PATENT DOCUMENTS

5,501,982 A \* 3/1996 Saldivar, Jr. .... G01N 15/12  
422/562  
D396,953 S \* 8/1998 Iversen ..... D3/310  
D419,772 S \* 2/2000 Williams ..... D3/201  
D467,080 S \* 12/2002 Zimmerman ..... D3/311  
D504,563 S \* 5/2005 Broussard ..... D3/20  
D547,490 S \* 7/2007 Simester ..... D27/194  
D606,774 S \* 12/2009 Kohli ..... D6/406.6  
D616,250 S \* 5/2010 Peyton ..... D7/553.3  
D728,941 S \* 5/2015 Stoeckmann ..... D3/313  
D737,509 S \* 8/2015 Now ..... D27/194  
D766,664 S \* 9/2016 Wilson ..... D7/553.2  
2006/0237026 A1 \* 10/2006 Simester ..... A24C 5/44  
131/329

## OTHER PUBLICATIONS

Pulsar Tap Tray Silicone Ashtray, available Mar. 10, 2015, [online], [site visited Mar. 4, 2018]. Available from internet, <URL: [https://www.amazon.com/Pulsar-Tap-Tray-Silicone-Ashtray/dp/B00UICE7RC/ref=sr\\_1\\_1?ie=UTF8&qid=1520224817&sr=8-1&keywords=pulsar+tap+tray](https://www.amazon.com/Pulsar-Tap-Tray-Silicone-Ashtray/dp/B00UICE7RC/ref=sr_1_1?ie=UTF8&qid=1520224817&sr=8-1&keywords=pulsar+tap+tray) (Year: 2015).\*

Stax NYC Rolling Tray, available Sep. 8, 2015, [online], [site visited Mar. 4, 2018]. Available from internet, <URL: [https://www.amazon.com/Stax-NYC-Rolling-Translucent-Black/dp/B01552FA02/ref=as\\_li\\_ss\\_tl?ie=UTF8&qid=1463524030&sr=8-2&keywords=stax+rolling+tray&linkCode=sl1&tag=smokeweedinc-20&linkId](https://www.amazon.com/Stax-NYC-Rolling-Translucent-Black/dp/B01552FA02/ref=as_li_ss_tl?ie=UTF8&qid=1463524030&sr=8-2&keywords=stax+rolling+tray&linkCode=sl1&tag=smokeweedinc-20&linkId) (Year: 2015).\*

\* cited by examiner

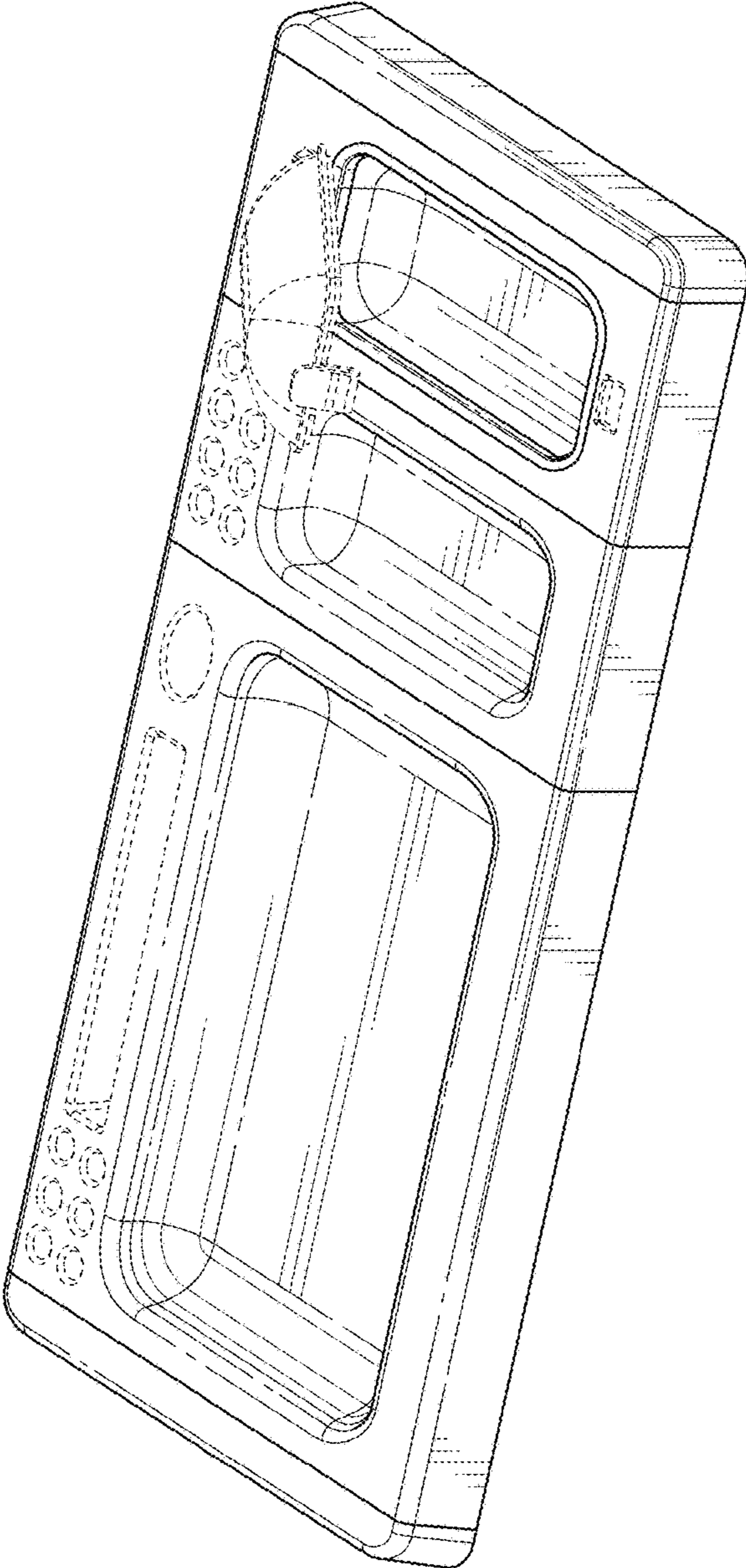


FIG. 1

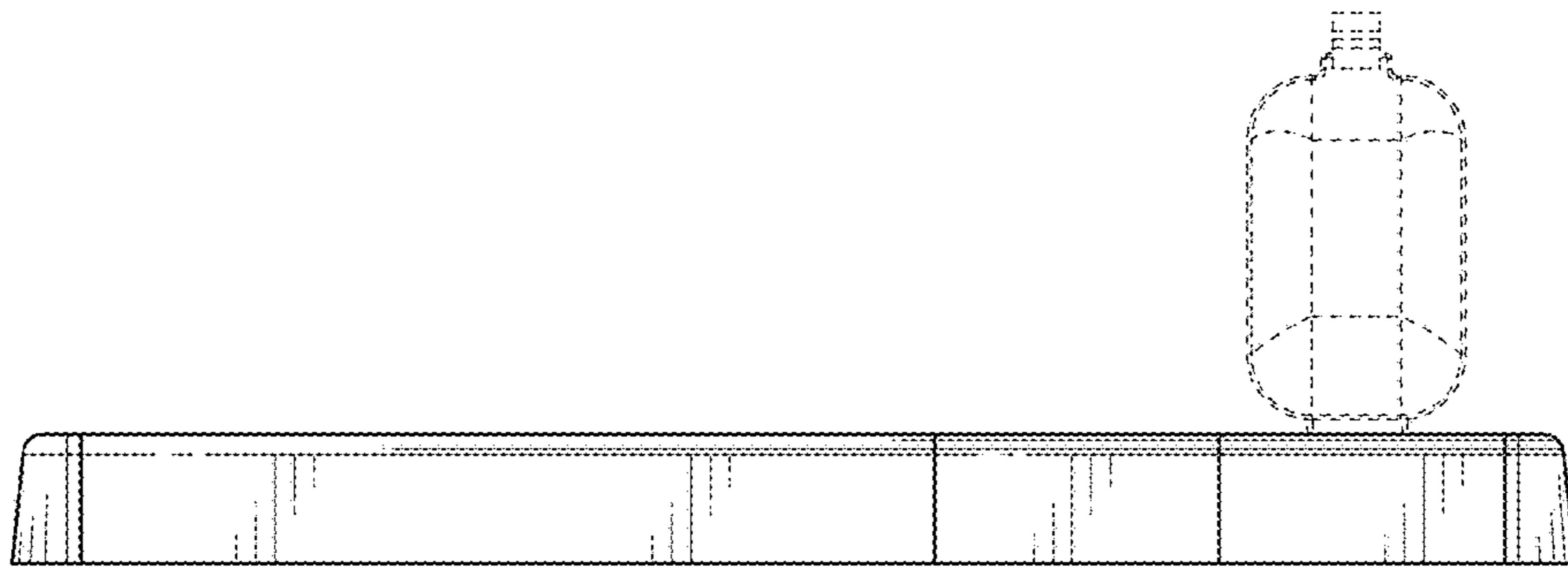


FIG. 2

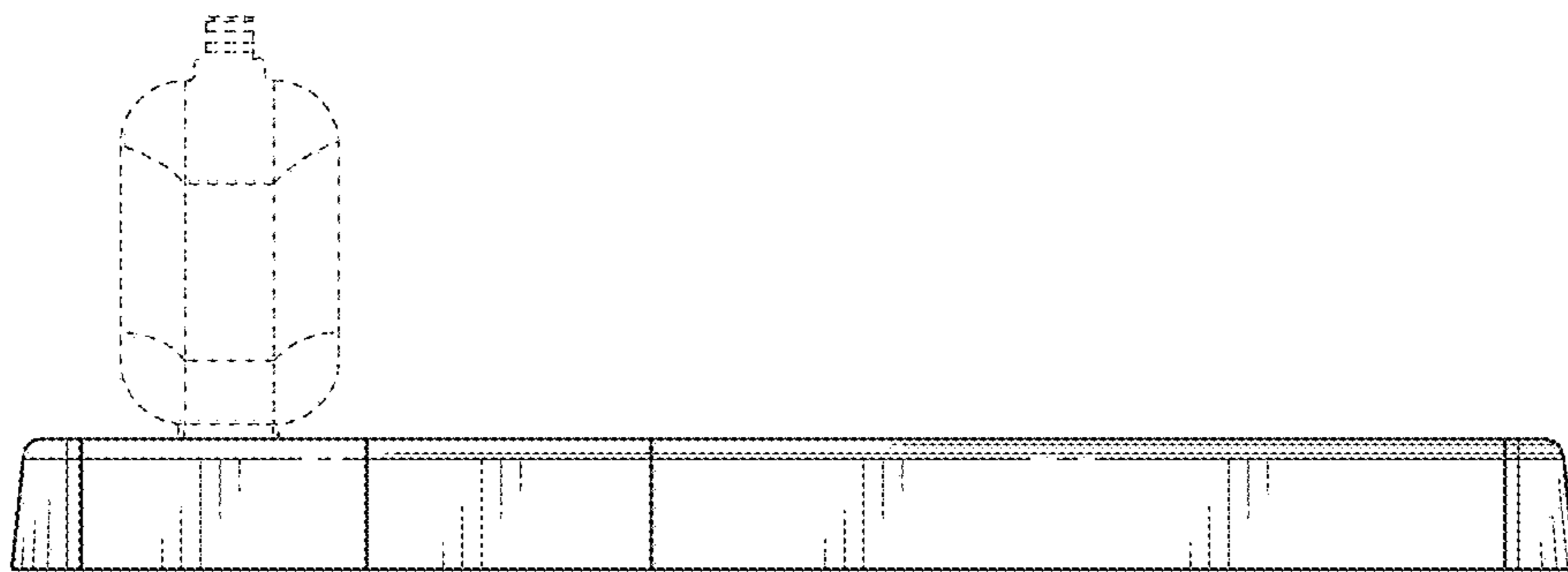


FIG. 3

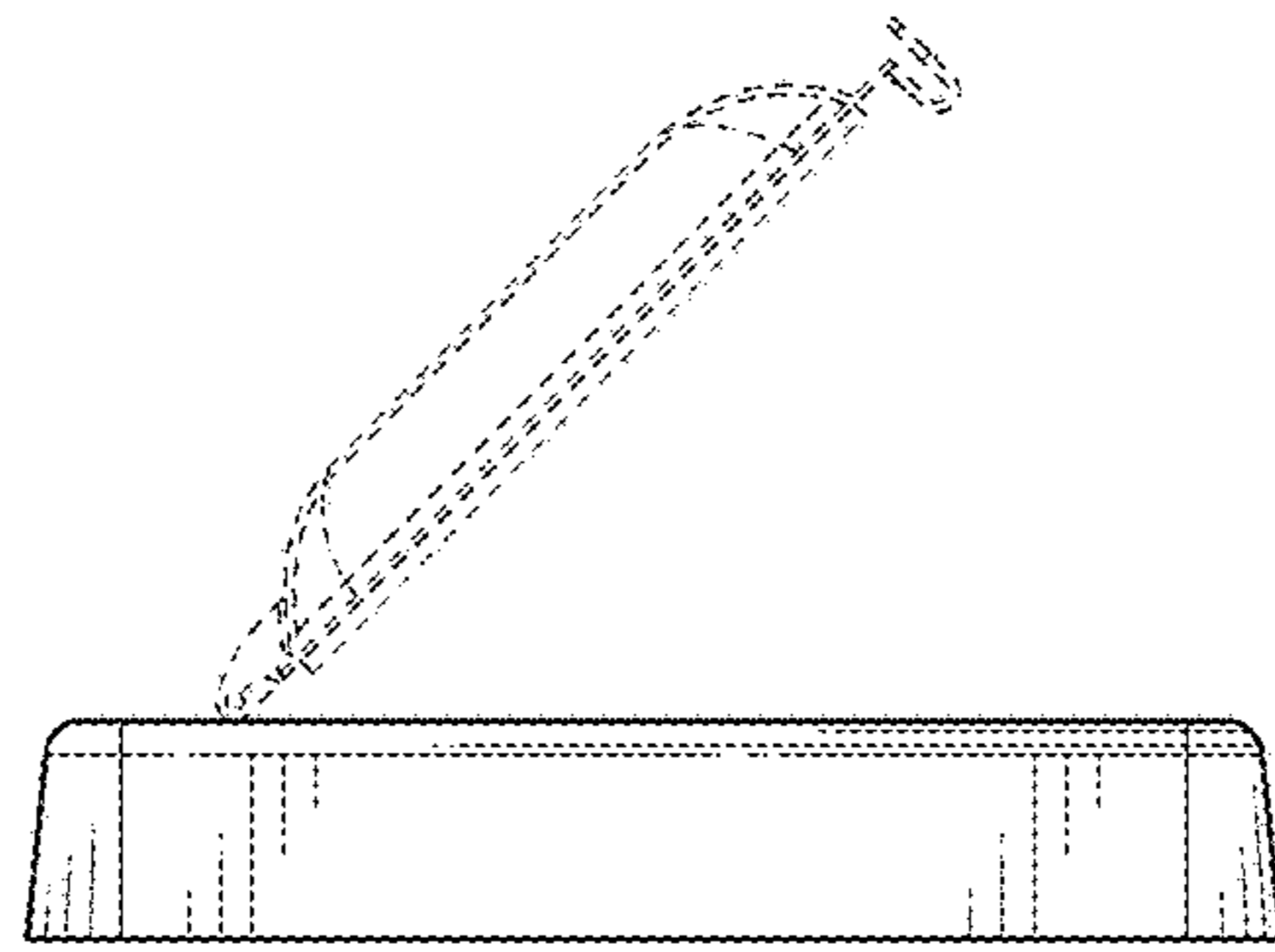


FIG. 4

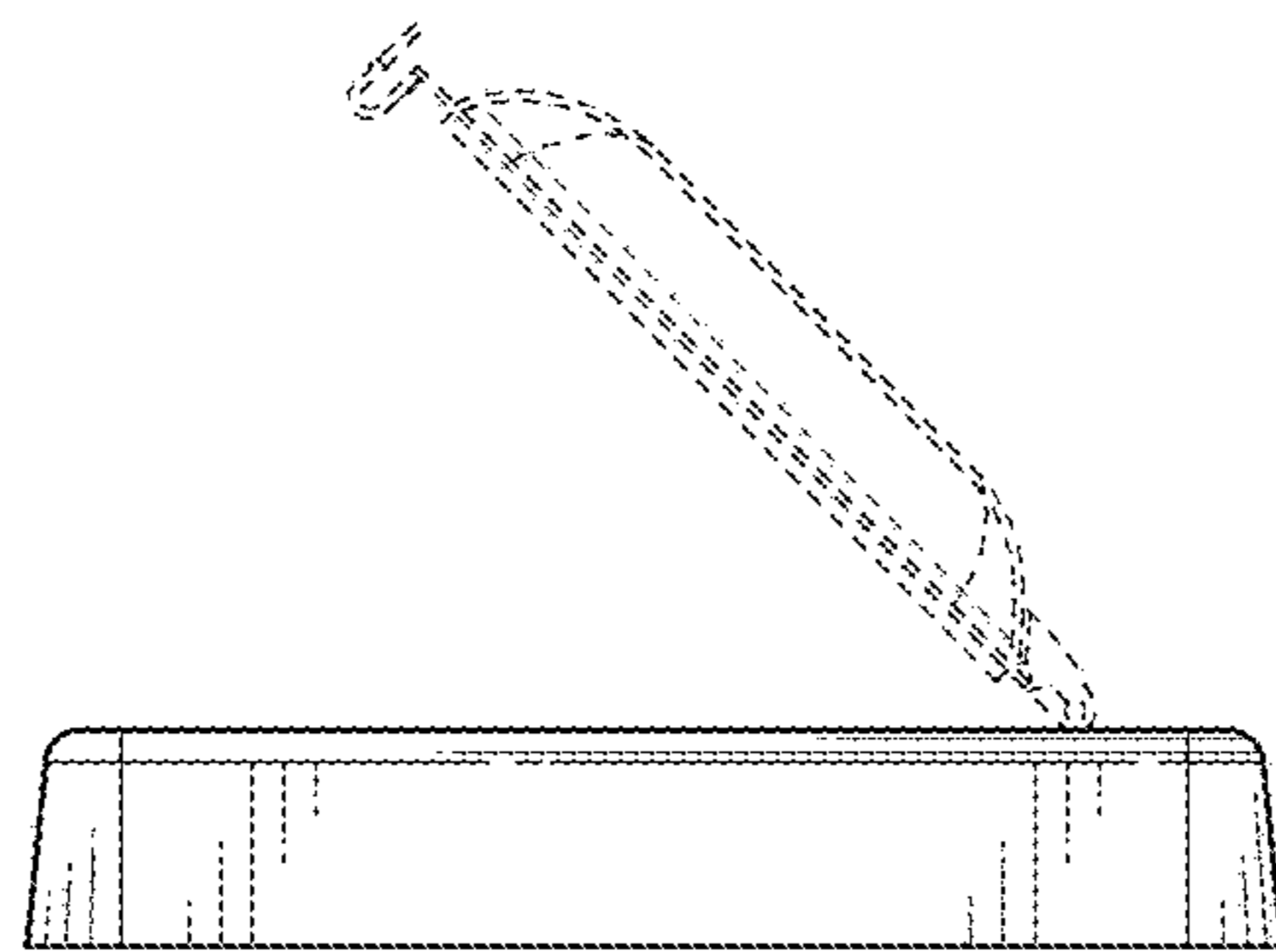


FIG. 5



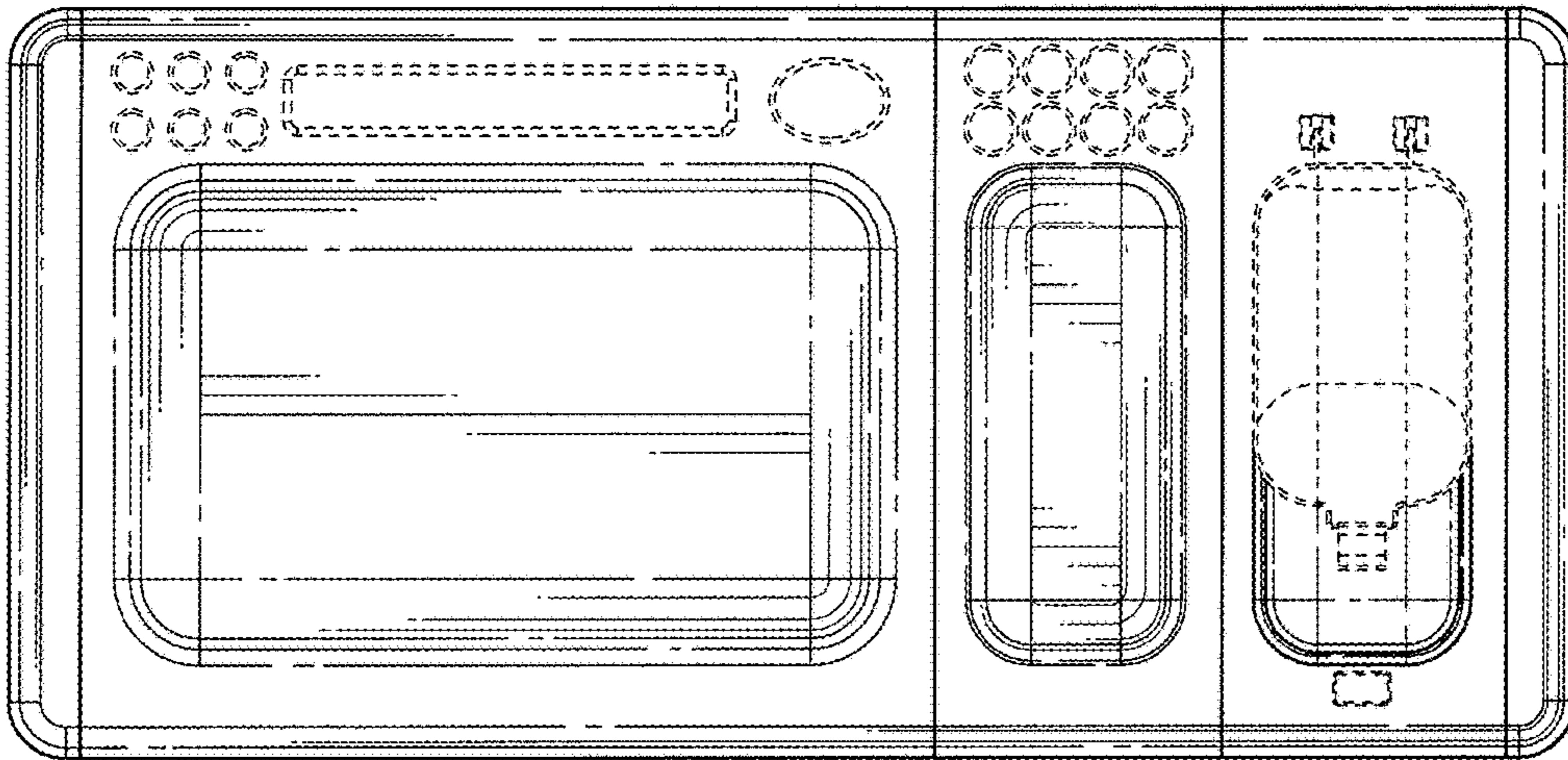


FIG. 6

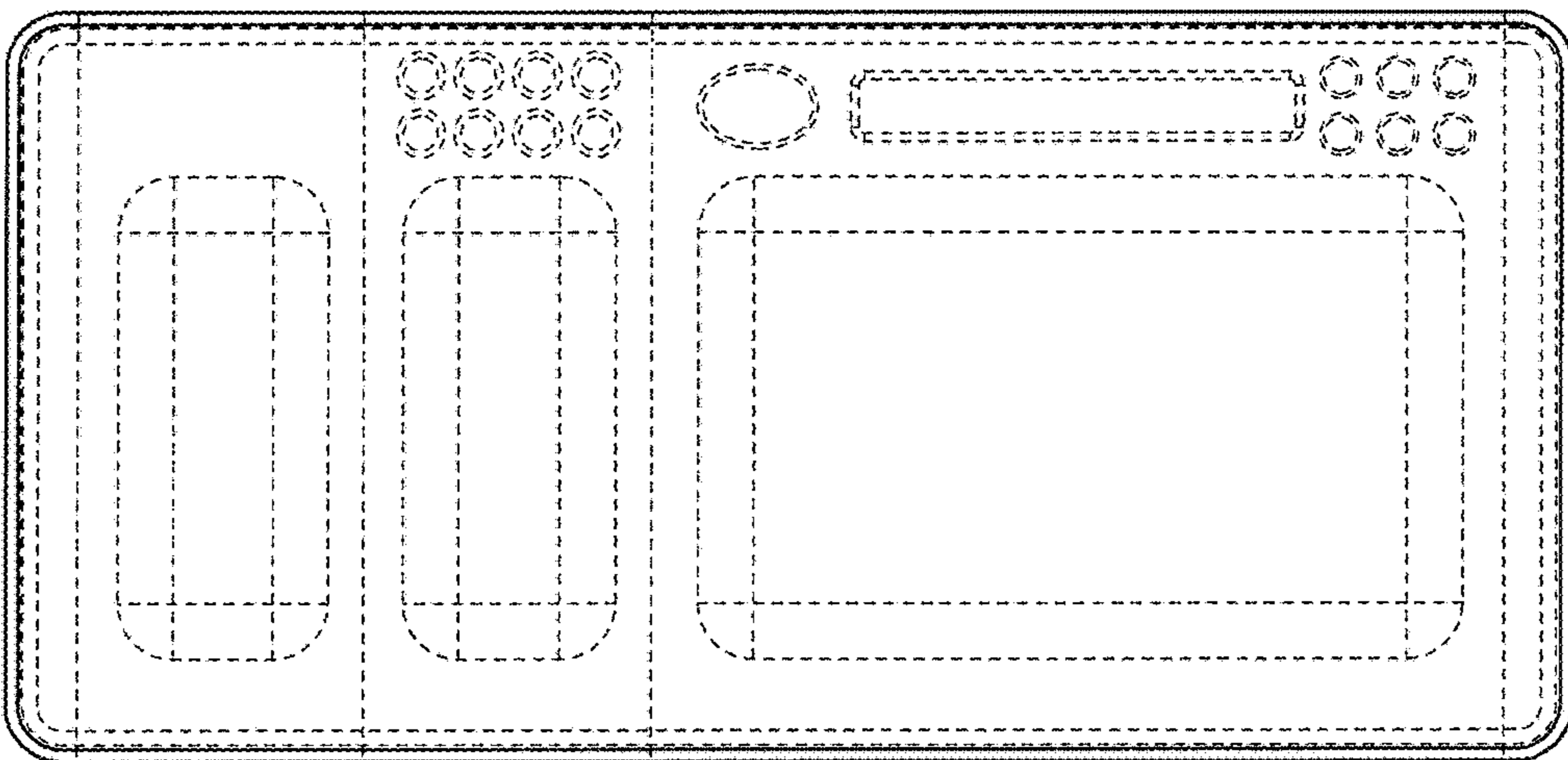


FIG. 7

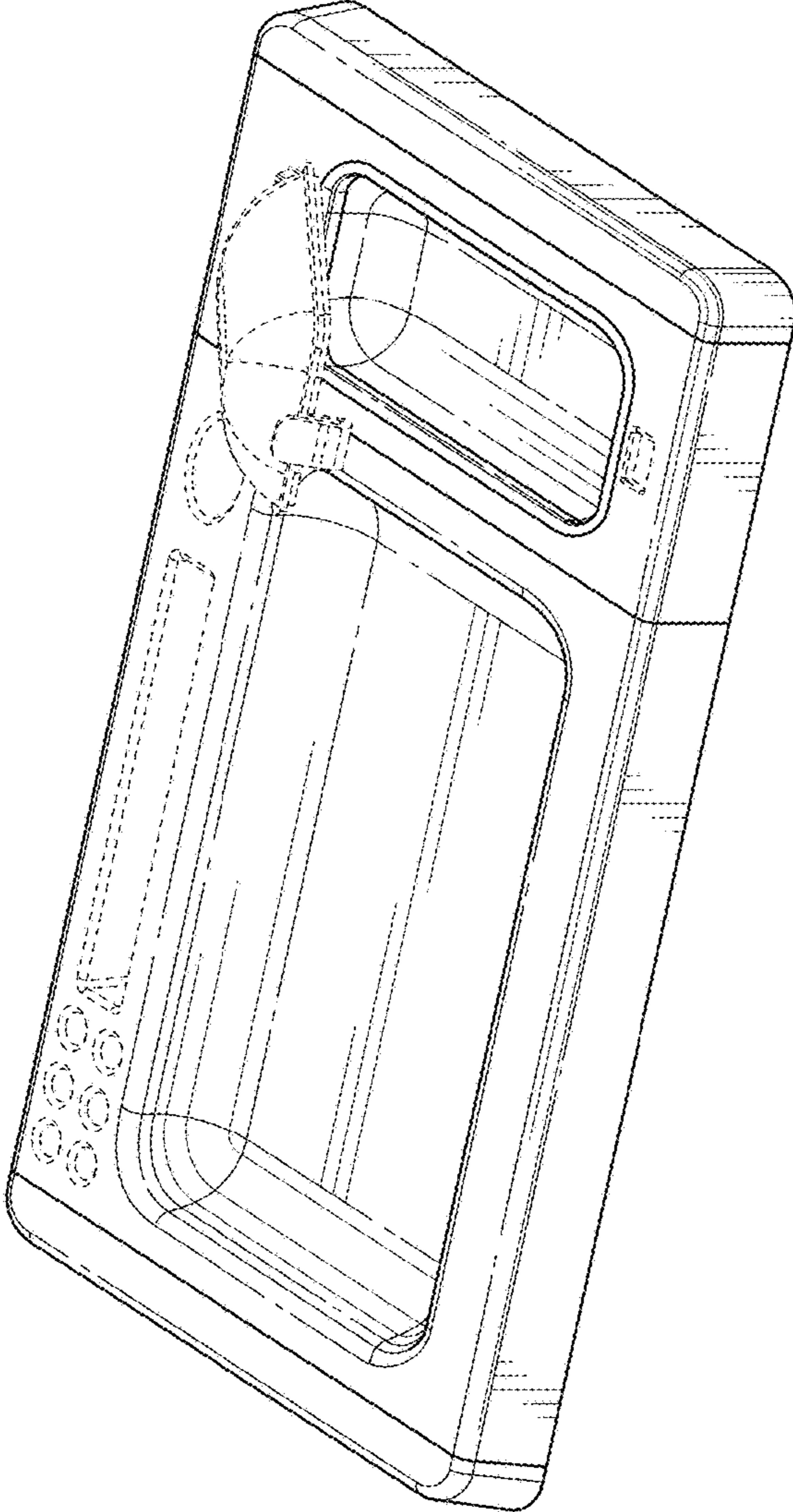


FIG. 8

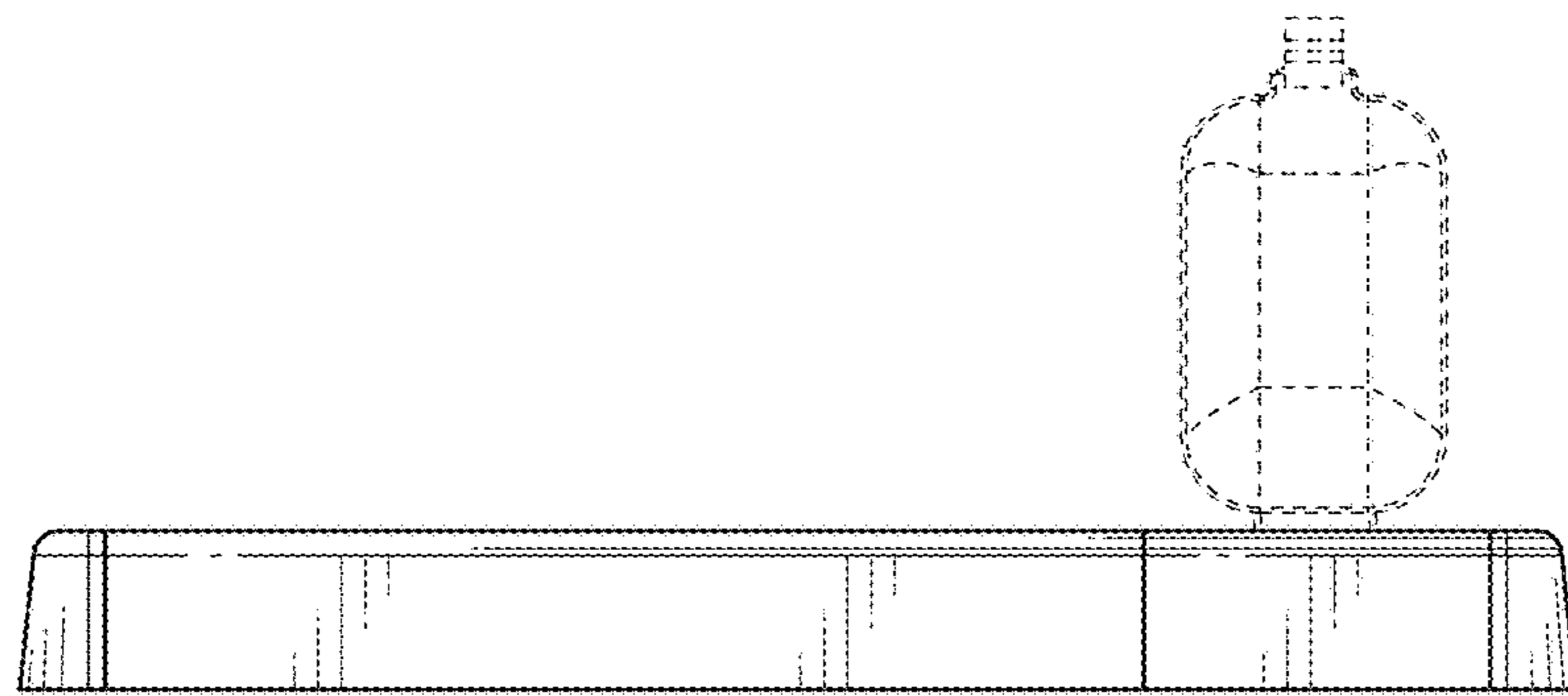


FIG. 9

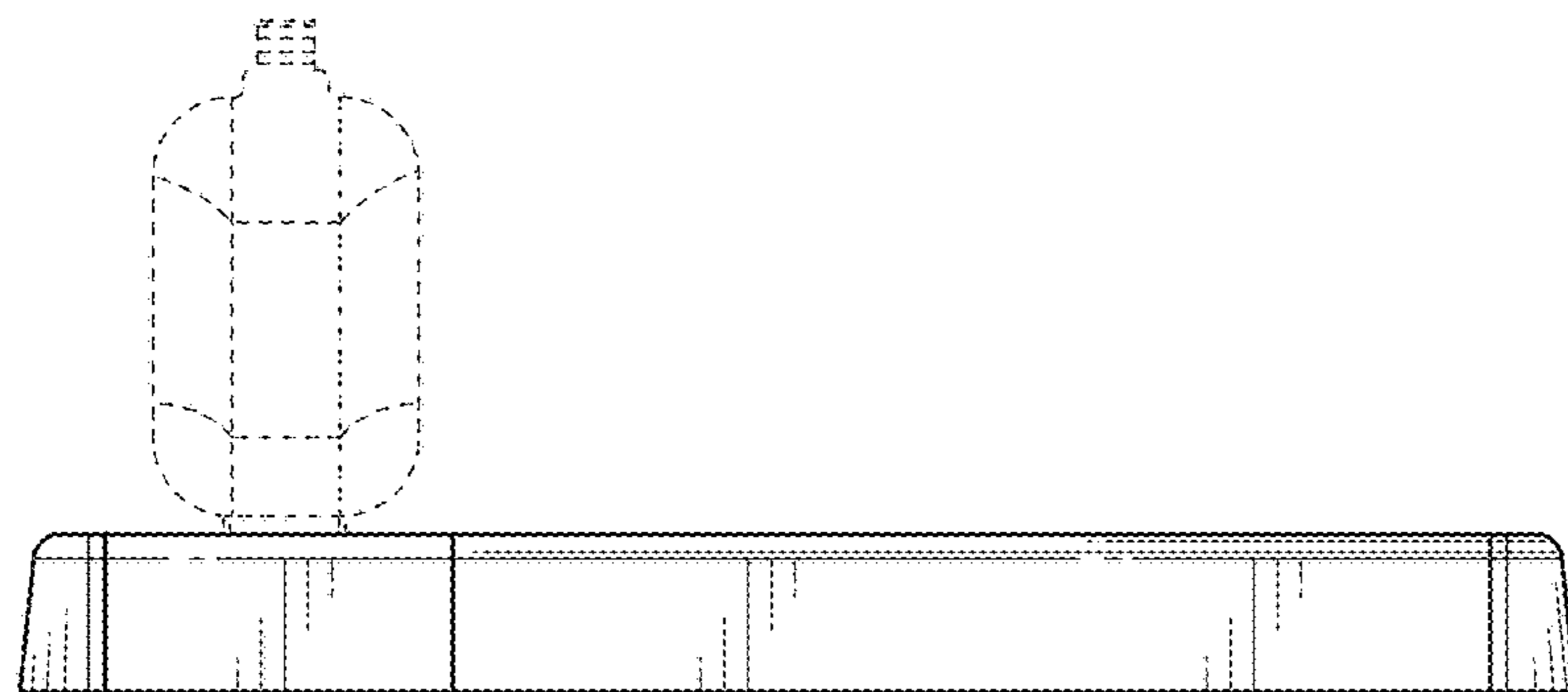


FIG. 10



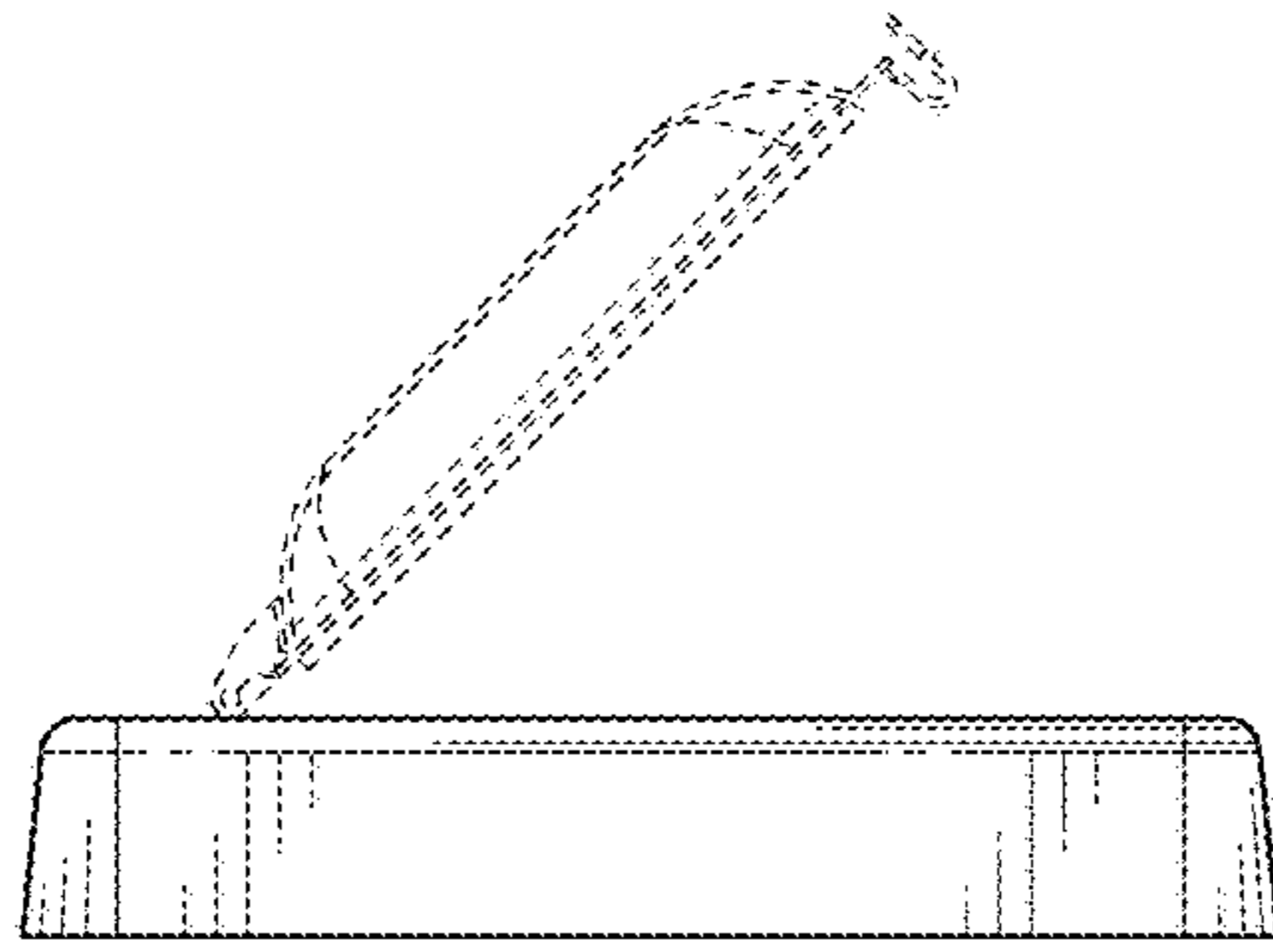


FIG. 11

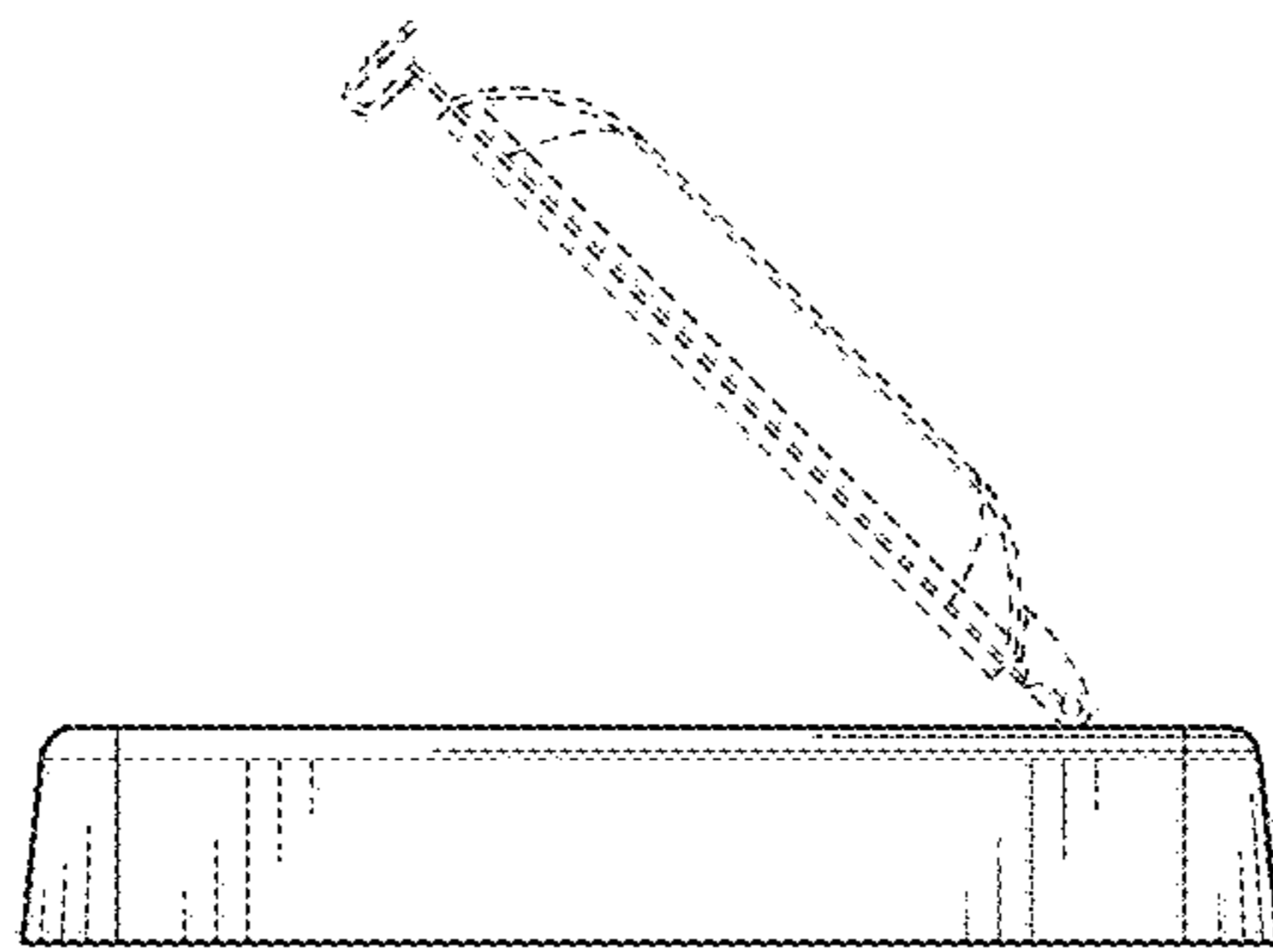


FIG. 12

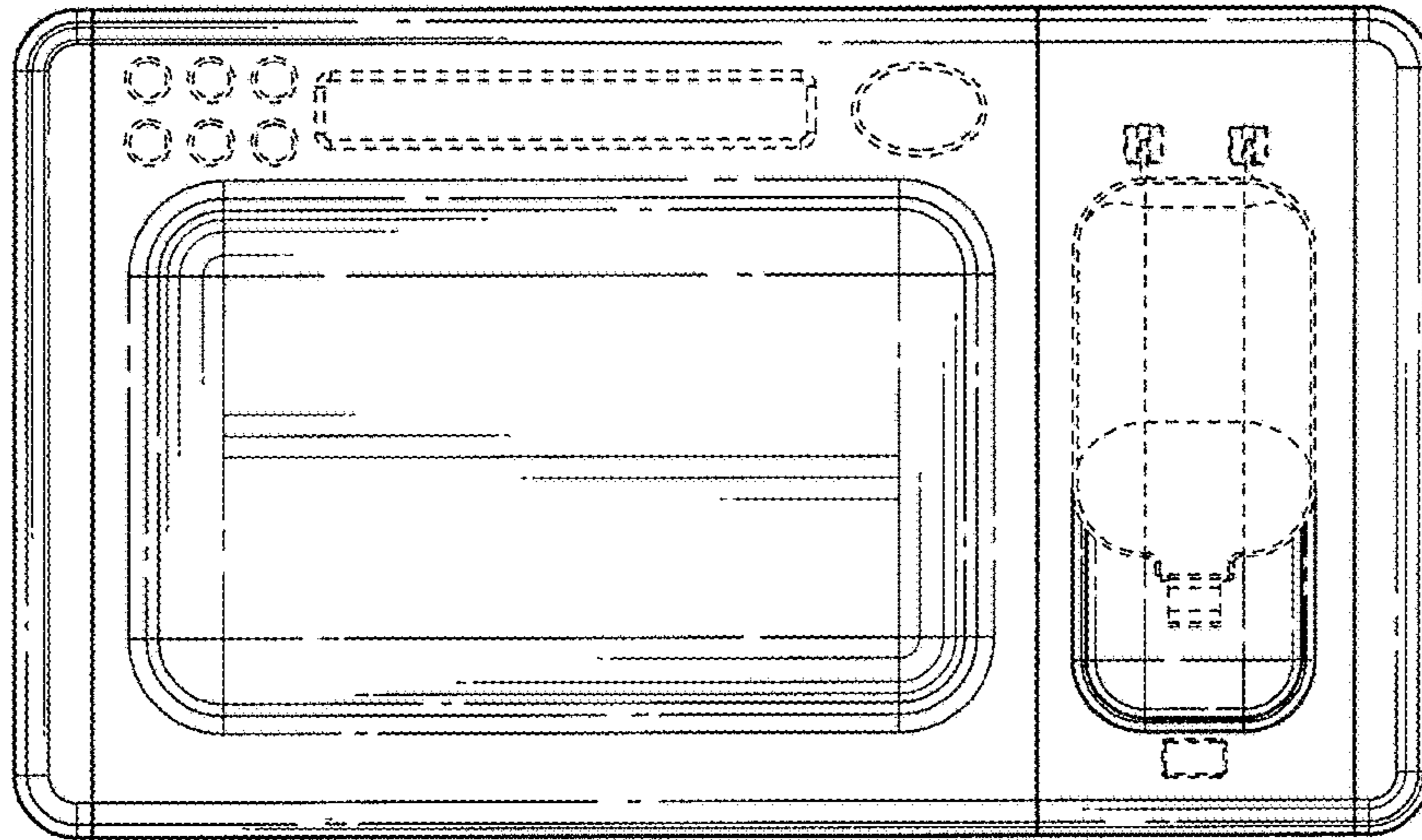


FIG. 13

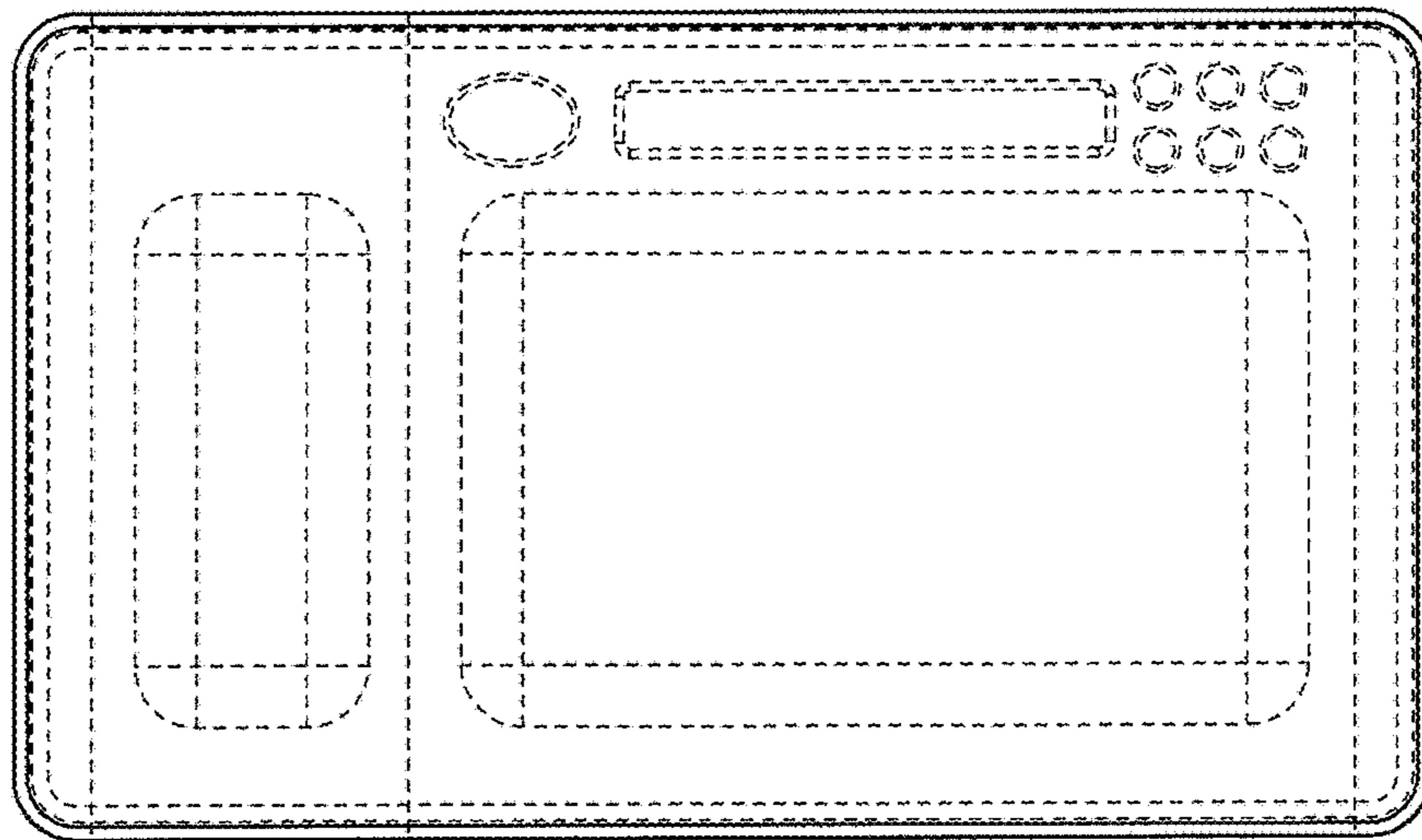


FIG. 14