



US00D840248S

(12) **United States Design Patent**
Vrabie

(10) **Patent No.:** **US D840,248 S**

(45) **Date of Patent:** **** Feb. 12, 2019**

- (54) **PICTURE FRAME PACKAGING**
- (71) Applicants: **Sergiu Vrabie**, Chisinau (MD); **Andrei Santevoi**, Chisinau (MD)
- (72) Inventor: **Sergiu Vrabie**, Chisinau (MD)
- (73) Assignees: **Sergiu Vrabie**, Chisinau (MD); **Andrei Santevo**, Chisinau (MD)

(**) Term: **15 Years**

(21) Appl. No.: **29/549,511**

(22) Filed: **Dec. 22, 2015**

(30) **Foreign Application Priority Data**

Jun. 25, 2015 (EM) 002725770

(51) **LOC (11) Cl.** **09-03**

(52) **U.S. Cl.**
USPC **D9/721**

(58) **Field of Classification Search**
USPC D9/715, 721; D6/300-302
CPC B65D 65/10; B65D 6/02; B65D 19/20;
B65D 57/00; B65D 63/02; B65D 5/20;
B65D 19/44; B65D 61/00; B65D 85/48;
B65B 13/02; B65B 5/06
See application file for complete search history.

(56) **References Cited**

U.S. PATENT DOCUMENTS

- 2,867,045 A 1/1959 Irvine
- 3,123,209 A * 3/1964 Burket et al. B65D 57/00
206/455
- 3,171,540 A 3/1965 Douglas
- 3,433,485 A 3/1969 Renn et al.
- 3,851,415 A * 12/1974 Vihma A47G 1/10
40/784
- 4,117,614 A * 10/1978 Bickford A47G 1/08
40/741

- 4,869,369 A * 9/1989 Turngren B29C 44/30
206/453
- 5,642,923 A * 7/1997 Meacham B65D 19/44
108/106
- 5,870,868 A * 2/1999 Kita E04C 2/384
312/140
- D418,309 S * 1/2000 Kuebel D6/301
- D559,556 S * 1/2008 Puig D6/300
- D589,708 S * 4/2009 Marek D6/302
- D640,568 S * 6/2011 Cluett D9/715
- 8,161,673 B1 * 4/2012 Kendall A47G 1/12
40/737
- D682,560 S * 5/2013 Gschwandegger D6/300
- 8,662,307 B2 * 3/2014 Pitt B65D 81/055
206/521
- 9,204,719 B2 * 12/2015 Hu A47B 63/00
- 9,889,980 B2 * 2/2018 Shi B65D 61/00
- 2008/0148692 A1 * 6/2008 Wisecarver B65D 5/5021
53/462

(Continued)

FOREIGN PATENT DOCUMENTS

- CH 385099 2/1965
- DE 29719355 U1 3/1998
- DE 29722486 U1 5/1998

OTHER PUBLICATIONS

International Search Report of Mar. 21, 2016.

Primary Examiner — Lauren R Calve

(74) *Attorney, Agent, or Firm* — Arent Fox LLP

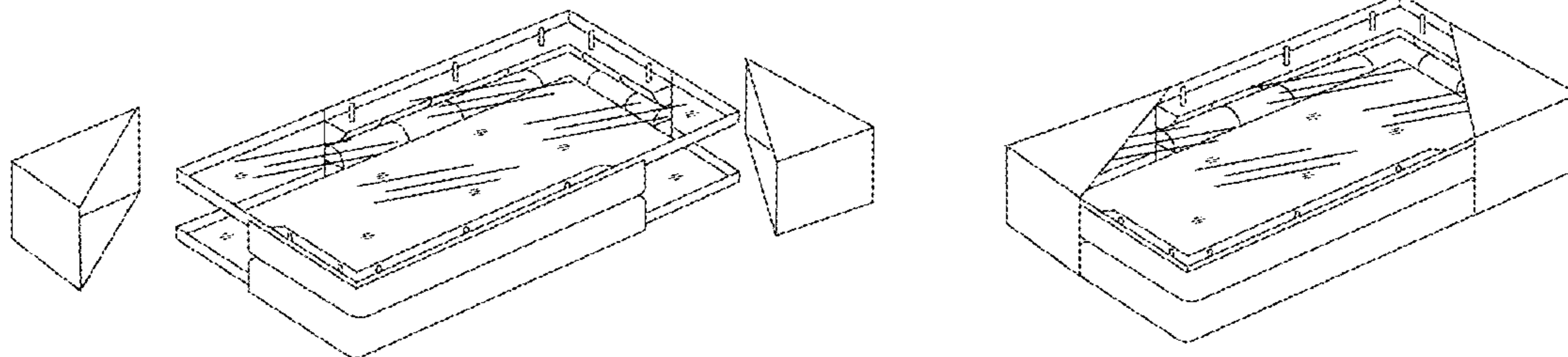
(57) **CLAIM**

The ornamental design for a picture frame packaging, as shown and described.

DESCRIPTION

FIG. 1 is a partial exploded perspective view of a picture frame packaging; and, FIG. 2 is a perspective view thereof.

1 Claim, 2 Drawing Sheets



(56)

References Cited

U.S. PATENT DOCUMENTS

2009/0249752 A1* 10/2009 DiMauro B65D 81/07
53/473
2013/0167417 A1* 7/2013 Vincent A47G 1/065
40/729
2013/0341240 A1* 12/2013 Chen B65D 81/133
206/722
2014/0367305 A1* 12/2014 Mizuo B65D 85/48
206/585
2015/0246764 A1* 9/2015 Hu B65D 81/057
206/723
2015/0291334 A1* 10/2015 Piscopo B65D 81/055
206/523
2015/0329278 A1* 11/2015 Shi B65D 57/00
414/811
2015/0360836 A1* 12/2015 Shi B65D 57/00
206/316.1
2016/0167870 A1* 6/2016 Zanchet B65D 85/48
206/451

* cited by examiner

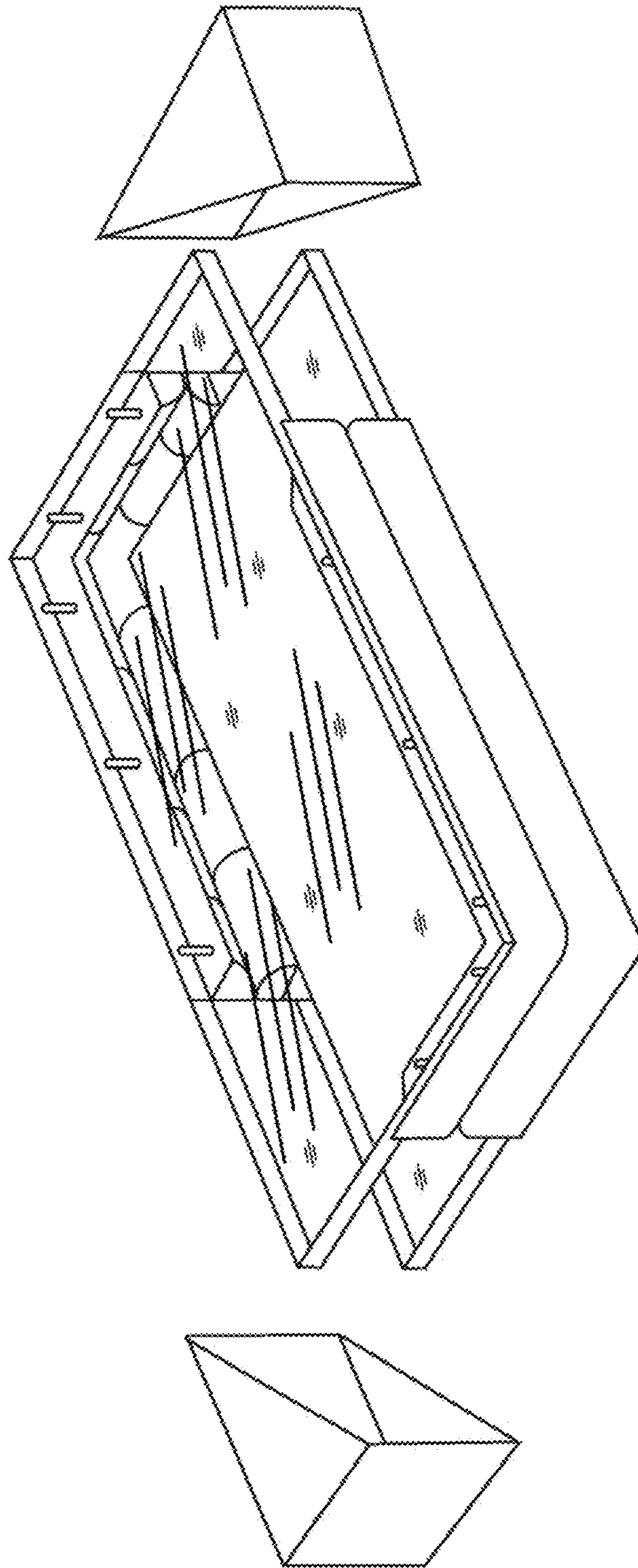


FIG. 1

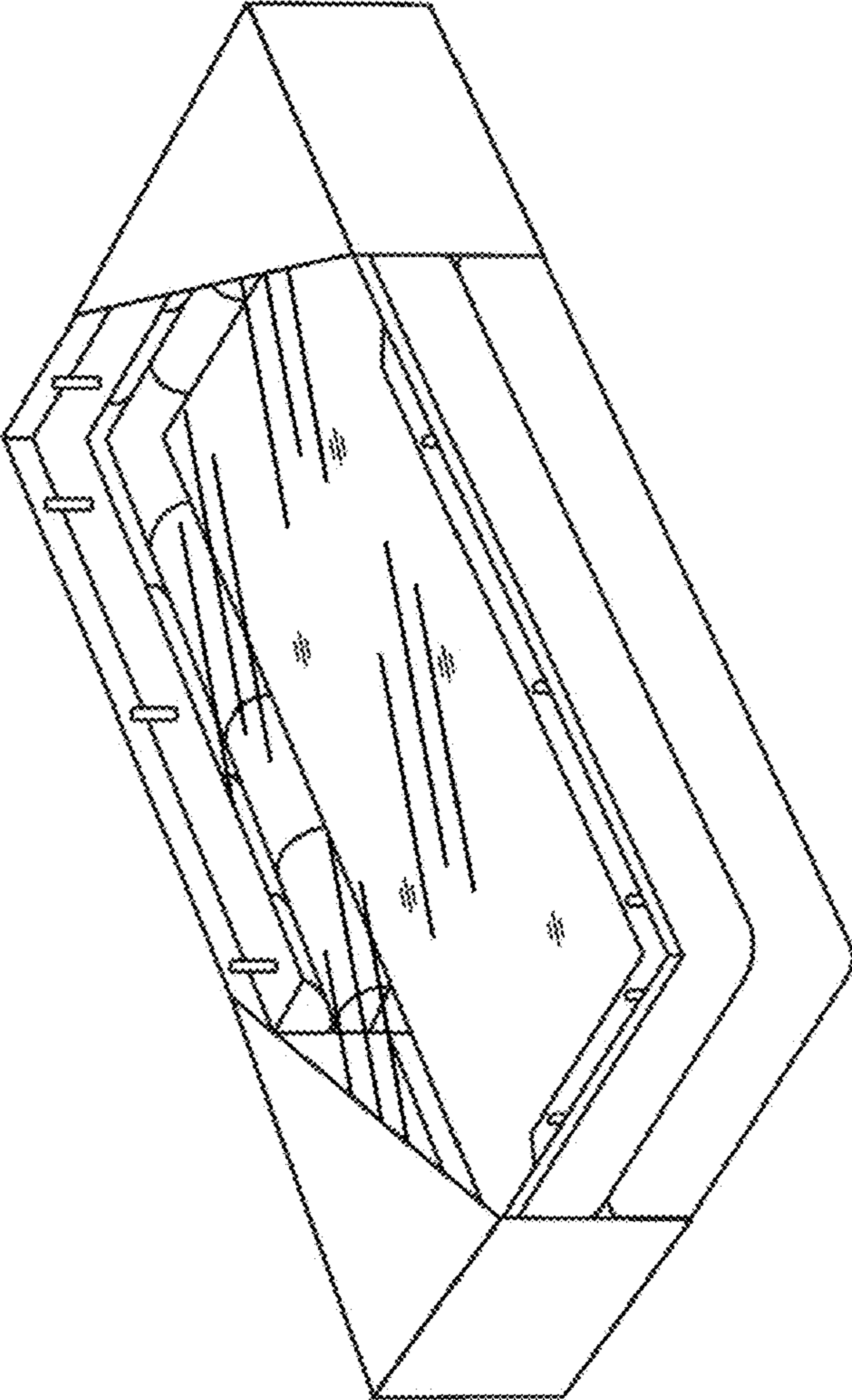


FIG. 2

UNITED STATES PATENT AND TRADEMARK OFFICE
CERTIFICATE OF CORRECTION

PATENT NO. : D840,248 S
APPLICATION NO. : 29/549511
DATED : February 12, 2019
INVENTOR(S) : Sergiu Vrabie et al.

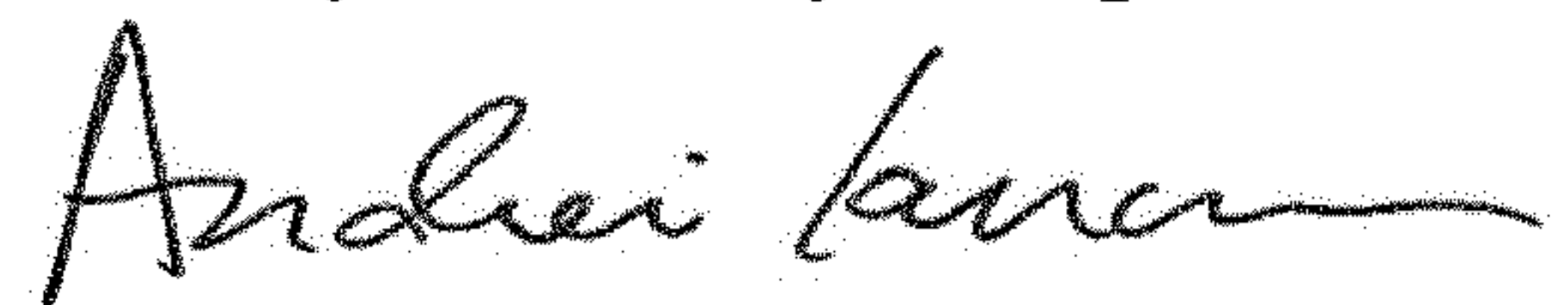
Page 1 of 1

It is certified that error appears in the above-identified patent and that said Letters Patent is hereby corrected as shown below:

On the Title Page

The 2nd applicants name, (71) and (73) Andrei Santevoi, should read Andrei Santevo I

Signed and Sealed this
Twenty-third Day of April, 2019



Andrei Iancu
Director of the United States Patent and Trademark Office