



US00D840240S

(12) **United States Design Patent** (10) **Patent No.:** **US D840,240 S**  
**McCoy et al.** (45) **Date of Patent:** **\*\* Feb. 12, 2019**

(54) **BOTTLE**

- (71) Applicant: **CVS Pharmacy, Inc.**, Woonsocket, RI (US)
- (72) Inventors: **Ryan P. McCoy**, Falcon Heights, MN (US); **Stacy Abel**, Maple Grove, MN (US); **Matthew P. Franks**, Austin, MN (US); **Adam D. Hoppus**, Minneapolis, MN (US); **Duane Sawyer**, York, PA (US); **Gordon Beecroft**, Leola, PA (US); **John Vassallo**, Lititz, PA (US); **Michael Makhlof**, Lititz, PA (US)
- (73) Assignee: **CVS Pharmacy, Inc.**, Woonsocket, RI (US)
- (\*\*) Term: **15 Years**
- (21) Appl. No.: **29/598,198**
- (22) Filed: **Mar. 23, 2017**

**Related U.S. Application Data**

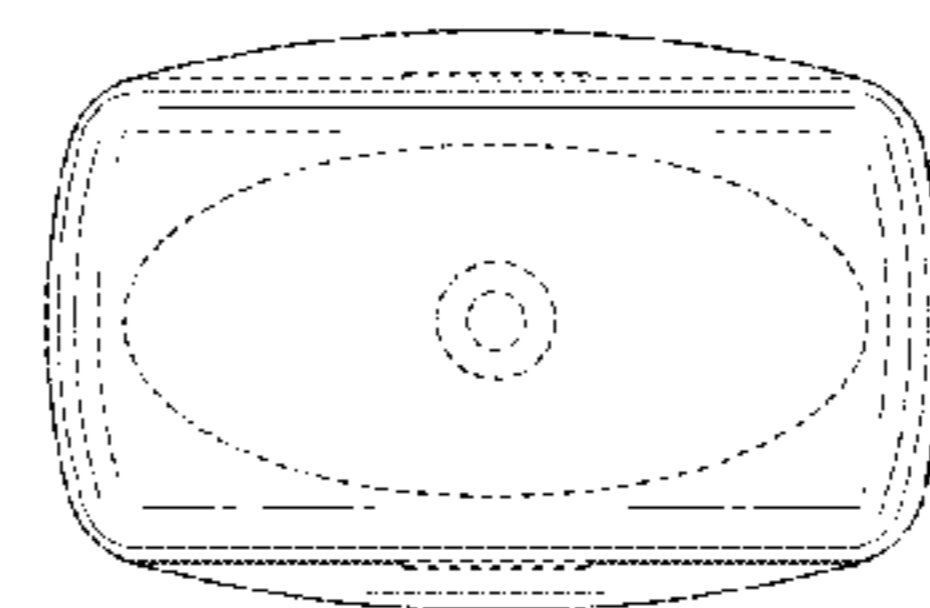
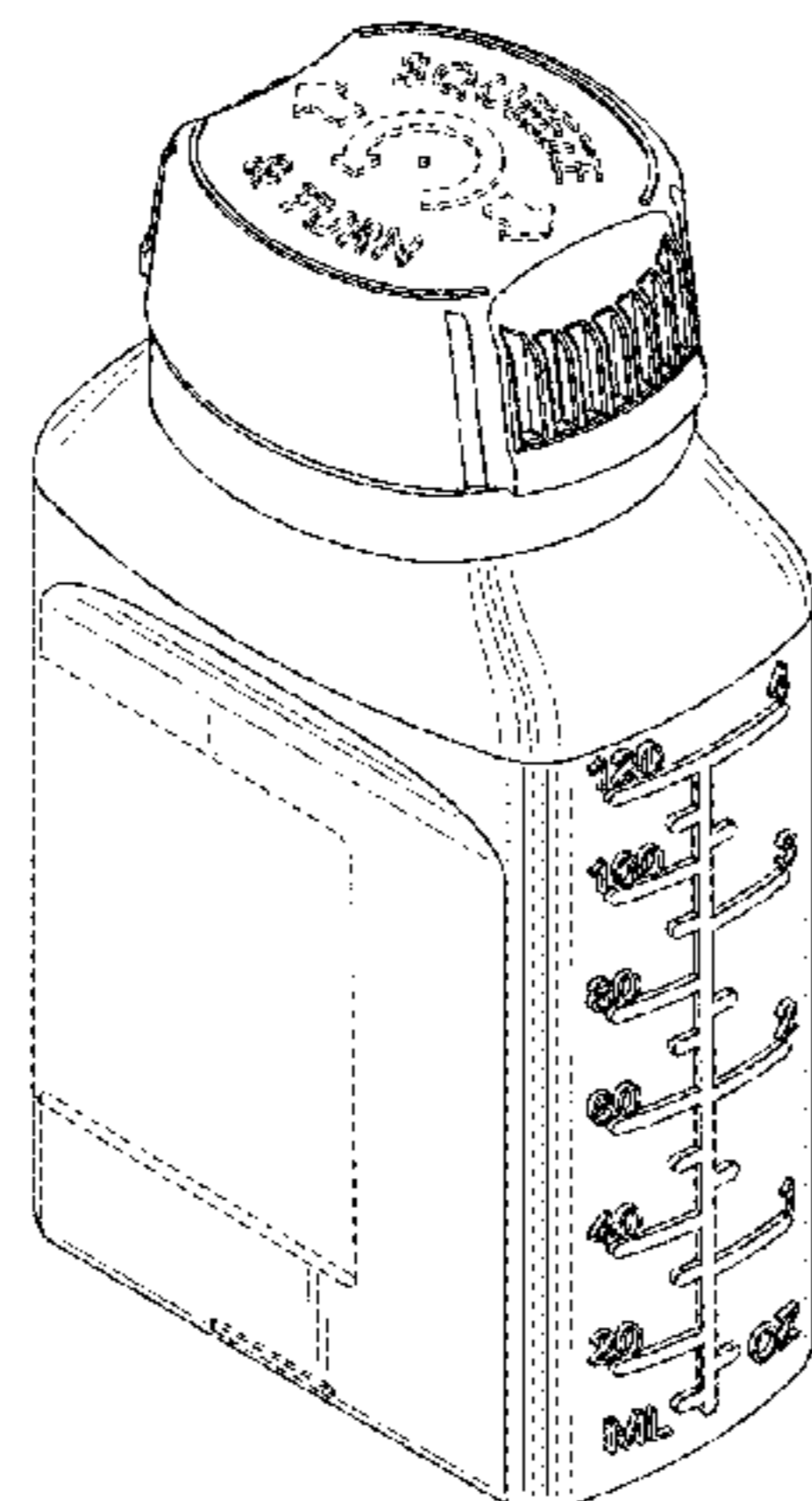
- (63) Continuation of application No. 29/531,277, filed on Jun. 24, 2015, now Pat. No. Des. 786,087, which is a continuation of application No. 14/524,910, filed on Oct. 27, 2014, now Pat. No. 9,085,396, which is a continuation of application No. 13/281,338, filed on Oct. 25, 2011, now Pat. No. 8,870,004.
- (51) **LOC (11) Cl.** ..... **09-01**
- (52) **U.S. Cl.**  
 USPC ..... **D9/563; D9/520; D9/547; D9/575; D3/203.1**
- (58) **Field of Classification Search**  
 USPC ..... **D9/431, 432, 434, 435, 436, 453, 454, D9/516, 560, 563, 567, 570, 572, 573, D9/574, 575, 715, 719; D3/203.1, 203.2; D7/591**  
 CPC .... **B65D 2501/0081; B65D 1/02; B65D 1/06; B65D 1/08; B65D 1/10; B65D 77/065; B65D 5/746; B65D 83/04**  
 See application file for complete search history.

(56)

**References Cited**

U.S. PATENT DOCUMENTS

D11,149 S	4/1879	Hood
D18,997 S	4/1889	Underhill
406,017 A	6/1889	Woodward et al.
493,851 A	3/1893	Adsit
D28,746 S	5/1898	Blount
605,213 A	6/1898	Weller
D30,094 S	1/1899	Busch
D30,338 S	3/1899	Mann
624,701 A	5/1899	Stevenson
716,793 A	12/1902	Vogeler
D45,565 S	4/1914	Lloyd
1,115,597 A	11/1914	Sherman et al.
1,181,098 A	4/1916	Lambert
1,289,218 A	12/1918	Maiden
1,411,510 A	4/1922	Peterson
1,499,612 A	7/1924	Hammer
1,554,191 A	9/1925	Alexander
1,653,608 A	12/1927	Allen
1,686,354 A	10/1928	Wallace
1,697,716 A	1/1929	Chace
1,769,147 A	7/1930	Lennon
1,815,268 A	7/1931	Newbery
1,850,369 A	3/1932	Andrews
1,991,871 A	2/1935	Sindler
1,993,978 A	3/1935	Plochman
2,007,685 A	7/1935	Lyle
2,110,768 A	3/1938	Kellogg
2,135,386 A	11/1938	Crabbe
2,142,278 A	1/1939	Mendelson
2,190,054 A	2/1940	Cutter et al.
D128,282 S	7/1941	Gelinas et al.
2,270,277 A	1/1942	Dowd
D132,185 S	4/1942	McIntosh
2,328,806 A	9/1943	Hooper
2,388,634 A	11/1945	De Woody
2,438,024 A	3/1948	Stransky
2,459,304 A	1/1949	Blank
2,528,259 A	10/1950	Annunziata
2,659,614 A	11/1953	Cook et al.
2,783,908 A	3/1957	Winfield
2,794,545 A	6/1957	Olson
2,844,893 A	7/1958	Keller
2,847,971 A	8/1958	Painter
2,908,985 A	10/1959	Hartman
2,920,777 A	1/1960	Cole
2,961,108 A	11/1960	Johnson
2,995,265 A	8/1961	Soderberg
D199,766 S	12/1964	Lorenzen
3,256,978 A	6/1966	Srigley et al.



# US D840,240 S

3,298,671 A	1/1967	Popma et al.	4,991,877 A	2/1991	Lieberman
3,321,098 A	5/1967	Ogle	4,995,521 A	2/1991	von Schuckmann
3,331,521 A	7/1967	Paige	5,011,032 A	4/1991	Rollman
3,423,861 A	1/1969	Forsyth	5,020,682 A	6/1991	Dutt
3,433,378 A	3/1969	Ross	D319,181 S	8/1991	Balavich
3,437,194 A	4/1969	Ames et al.	5,036,992 A	8/1991	Mouchawar et al.
3,464,576 A	9/1969	Rohde	5,048,870 A	9/1991	Mangini et al.
3,625,547 A	12/1971	Burke	D323,780 S	2/1992	Addante
3,628,266 A	12/1971	Wise et al.	D324,994 S	3/1992	Jentgen
3,757,994 A	9/1973	Skoetsch	5,102,169 A	4/1992	Mayfield
3,762,612 A	10/1973	Miller	D328,010 S *	7/1992	Daenen ..... D32/29.1
D230,137 S	1/1974	Bettonica	D328,246 S	7/1992	Nottingham et al.
3,787,993 A	1/1974	Lyon	5,145,080 A	9/1992	Imbery, Jr.
3,822,780 A	7/1974	Ulmer et al.	5,165,546 A	11/1992	Jaeger et al.
3,826,222 A	7/1974	Romick	5,172,936 A	12/1992	Sullivan et al.
3,850,326 A	11/1974	Ryles	5,178,311 A	1/1993	McBride
3,900,028 A	8/1975	McPhee	D333,618 S	3/1993	Patel et al.
3,901,400 A	8/1975	Westfall	D333,882 S *	3/1993	Yazaki ..... D28/7
3,923,180 A	12/1975	Fields	5,193,032 A	3/1993	Hirth
3,996,879 A	12/1976	Walton	5,204,775 A	4/1993	McDevitt
4,022,352 A	5/1977	Pehr	5,213,225 A	5/1993	King et al.
4,044,889 A	8/1977	Orentreich et al.	5,215,334 A	6/1993	Presson et al.
4,064,645 A	12/1977	Wood	5,261,702 A	11/1993	Mayfield
4,099,639 A	7/1978	Boxer et al.	D342,452 S	12/1993	Monaghan
RE29,793 E	10/1978	Pehr	D343,360 S	1/1994	Poo
4,143,786 A	3/1979	Goldberg et al.	5,284,363 A	2/1994	Gartner et al.
4,150,760 A	4/1979	d'Orgelys	5,301,802 A	4/1994	Nemeroff
4,154,355 A	5/1979	Shackelford	5,301,840 A	4/1994	Sun
D255,054 S	5/1980	Kingsford	5,309,279 A	5/1994	Halstead
4,203,240 A	5/1980	Goodwin	D348,836 S	7/1994	McCallum et al.
4,230,112 A	10/1980	Smith	5,342,093 A	8/1994	Weernink
4,238,033 A	12/1980	Artzt	D350,691 S	9/1994	Simion
4,246,709 A	1/1981	Selleslags	5,343,647 A	9/1994	Bulka
4,263,734 A	4/1981	Bradshaw	5,346,069 A	9/1994	Intini
4,284,200 A	8/1981	Bush et al.	D351,796 S	10/1994	Deddens
4,285,489 A	8/1981	Blanchard	5,351,991 A	10/1994	McDonald
4,303,071 A	12/1981	Smith	5,379,927 A	1/1995	Montenieri et al.
4,317,448 A	3/1982	Smith	D355,125 S	2/1995	Patel et al.
4,334,638 A	6/1982	Stock	D355,126 S	2/1995	Paulovich et al.
D266,146 S *	9/1982	Morris ..... D9/542	D355,363 S	2/1995	Iorii et al.
D269,315 S *	6/1983	Conti ..... D7/591	5,386,795 A	2/1995	Bartholomew
D270,998 S	10/1983	Stark	5,403,636 A	4/1995	Crum
D271,227 S	11/1983	Francisco	5,419,446 A	5/1995	Cox et al.
4,428,384 A	1/1984	Raitto	D360,134 S	7/1995	Snyder
D274,309 S	6/1984	Aldrich, III	5,429,256 A	7/1995	Kestenbaum
4,482,068 A	11/1984	Agbay et al.	5,448,844 A	9/1995	Miller, Jr. et al.
4,535,903 A	8/1985	Franchi	5,454,805 A	10/1995	Brony
D280,601 S	9/1985	Biesecker	5,476,420 A	12/1995	Manning
D281,228 S *	11/1985	Morgan ..... D9/542	RE35,167 E	3/1996	Mouchawar et al.
4,567,991 A	2/1986	Anderson	5,495,944 A	3/1996	Lermer
D282,909 S	3/1986	Biesecker	D370,636 S	6/1996	Crawford
4,606,481 A	8/1986	Conti et al.	5,555,655 A	9/1996	Yager et al.
D285,535 S	9/1986	Buchholz et al.	5,588,239 A	12/1996	Anderson
4,640,031 A	2/1987	Hoek et al.	5,601,314 A	2/1997	Burns et al.
D293,034 S *	12/1987	Ducret ..... D28/7	5,620,434 A	4/1997	Brony
4,732,411 A	3/1988	Siegel	5,632,420 A	5/1997	Lohrman et al.
D295,024 S	4/1988	Trick	5,642,906 A	7/1997	Footo et al.
D295,954 S	5/1988	Kirchhoff	5,660,138 A	8/1997	Hirsch
4,753,358 A	6/1988	Virca	5,662,224 A	9/1997	Nogues
4,799,712 A	1/1989	Biava et al.	5,662,239 A	9/1997	Heuvelman
4,802,438 A	2/1989	DoJonge	5,687,863 A	11/1997	Kusz
D300,119 S	3/1989	Pacquin	5,697,173 A	12/1997	McCarrick et al.
4,813,570 A	3/1989	Pontoppidan	5,699,922 A	12/1997	Harding
4,819,351 A	4/1989	Boitani	D389,064 S	1/1998	Sethi et al.
4,827,643 A	5/1989	Hearst et al.	5,704,144 A	1/1998	Groth
4,860,899 A	8/1989	McKee	5,704,648 A	1/1998	Brown et al.
4,863,026 A	9/1989	Perkowski	5,711,442 A	1/1998	Kusz
4,868,027 A	9/1989	Hunkeler et al.	5,713,681 A	2/1998	Venne et al.
4,881,648 A	11/1989	Hagerty	5,718,347 A	2/1998	Walker et al.
4,883,180 A	11/1989	Humphrey et al.	5,719,828 A	2/1998	Haas et al.
D305,505 S	1/1990	Kunesh	5,729,922 A	3/1998	Peterson et al.
4,890,742 A	1/1990	Allison	5,730,292 A	3/1998	Jones
4,913,083 A	4/1990	Valvo et al.	5,758,440 A	6/1998	Yudin
4,918,604 A	4/1990	Baum	5,760,975 A	6/1998	DiGiovanni
4,919,285 A	4/1990	Roof et al.	D395,828 S	7/1998	Lecoule
4,941,573 A	7/1990	Fuerstman	5,779,072 A	7/1998	Krebs
D311,681 S	10/1990	Aggarwal	5,788,974 A	8/1998	D'Amico et al.
4,972,657 A	11/1990	McKee	5,799,815 A	9/1998	Lang
D312,776 S	12/1990	Tacconelli	5,800,144 A	9/1998	Glenn et al.



# US D840,240 S

5,819,967 A	10/1998	Lo	6,964,345 B2	11/2005	Wetherell, Jr. et al.
5,829,789 A	11/1998	Treleven et al.	D514,942 S	2/2006	Weber
5,836,465 A	11/1998	King	D520,365 S	5/2006	Andoh
D402,550 S *	12/1998	Poisson ..... D9/574	D522,867 S	6/2006	Bakic
5,887,736 A	3/1999	Mar	7,061,831 B2	6/2006	De La Huerga
5,918,758 A	7/1999	Galton-Fenzi	D526,569 S	8/2006	Wurster et al.
5,924,584 A	7/1999	Hellstrom et al.	7,128,227 B2	10/2006	Skillin et al.
D413,067 S	8/1999	Haley	D532,697 S	11/2006	Francis
5,980,352 A	11/1999	Rigberg	D537,349 S	2/2007	Ball et al.
6,003,902 A	12/1999	Petkovsek	D539,651 S	4/2007	Snyder
D419,077 S	1/2000	Sultan	D540,179 S	4/2007	Adler et al.
6,016,930 A	1/2000	Mathes et al.	D540,690 S	4/2007	Adler et al.
6,023,865 A	2/2000	Preuss	D541,159 S	4/2007	Robinson
D423,361 S	4/2000	Negre	D542,661 S	5/2007	Adler et al.
D425,427 S	5/2000	Heeter et al.	7,222,736 B1 *	5/2007	Seijas ..... A61J 7/04 116/308
6,068,300 A	5/2000	Vijuk et al.	7,225,052 B2	5/2007	Foote et al.
D427,073 S	6/2000	Gaffney et al.	7,225,937 B2	6/2007	Schroeder
6,081,392 A	6/2000	Pensmith	D550,571 S	9/2007	Diaz
6,086,702 A	7/2000	Rea	7,284,580 B2	10/2007	Dallison et al.
6,089,180 A	7/2000	Nichols, Jr.	D554,999 S	11/2007	Nukuto et al.
6,105,801 A	8/2000	Minnette	D555,498 S	11/2007	Bansal
D430,802 S	9/2000	Adachi et al.	7,311,205 B2	12/2007	Adler et al.
6,127,013 A	10/2000	Todd	D559,117 S	1/2008	Nukuto et al.
6,158,779 A	12/2000	Petrick	7,320,483 B2	1/2008	Eippert
6,196,593 B1	3/2001	Petrick et al.	D561,034 S	2/2008	Francis
6,209,921 B1	4/2001	Hogan et al.	D566,330 S	4/2008	Angeletta
6,220,439 B1	4/2001	Virvo	D572,593 S	7/2008	Adler et al.
6,226,564 B1	5/2001	Stuart	D574,717 S	8/2008	Adler et al.
6,241,844 B1	6/2001	Petkovsek	7,413,082 B2	8/2008	Adler et al.
D445,338 S	7/2001	Helleu	D581,275 S	11/2008	Adler et al.
6,253,958 B1	7/2001	Coletti	D583,242 S	12/2008	Adler et al.
6,270,121 B1	8/2001	Dolan et al.	D590,721 S	4/2009	Martinez De San Vicente
6,276,725 B1	8/2001	Laurash et al.	D594,336 S	6/2009	Adler
6,278,545 B1	8/2001	Napier	D597,841 S	8/2009	Adler et al.
D447,694 S	9/2001	Leggett	D601,017 S	9/2009	Hungerford
D451,809 S	12/2001	Jones	D602,785 S	10/2009	Rotherberg et al.
6,360,462 B1	3/2002	Mengel	7,621,413 B2	11/2009	Miota et al.
D456,271 S	4/2002	Maloney	7,628,427 B2	12/2009	Adler et al.
6,366,401 B1	4/2002	Gonda et al.	D607,326 S	1/2010	Branson et al.
6,367,639 B1	4/2002	Mar	7,661,384 B2	2/2010	Mataya
6,367,640 B1	4/2002	Julian	7,661,533 B2	2/2010	Adler et al.
6,379,007 B1	4/2002	Farb	D616,303 S	5/2010	Gonzalez
D457,063 S	5/2002	Bakic	D618,819 S *	6/2010	Wilkinson ..... D24/226
6,386,367 B1	5/2002	Bayliss, IV	D620,356 S	7/2010	Greenfield
D459,212 S	6/2002	Gobe	D623,056 S	9/2010	Sessa
6,402,872 B1	6/2002	Key	D623,061 S	9/2010	Wong
6,491,164 B1	12/2002	Virvo	D623,518 S	9/2010	Camomile
D470,051 S	2/2003	Bloom et al.	D625,911 S *	10/2010	Lee ..... D3/203.2
D470,415 S	2/2003	Weber	7,942,451 B2	5/2011	Adler
6,549,345 B1	4/2003	Cardarelli	7,980,391 B2	7/2011	Adler et al.
D474,690 S	5/2003	Bakic	8,025,314 B2	9/2011	Adler
6,568,530 B2	5/2003	Takahashi et al.	8,051,999 B2	11/2011	Carmody et al.
6,571,971 B1	6/2003	Weiler	8,104,618 B2 *	1/2012	Sadler ..... B65D 5/4216 206/459.5
6,594,928 B1	7/2003	Clawson et al.	D653,961 S *	2/2012	Johnston ..... D9/563
D480,002 S	9/2003	Canepa	D659,544 S *	5/2012	Labadie ..... D9/542
D480,005 S	9/2003	Conway	8,210,351 B2 *	7/2012	Miceli ..... B65D 1/0246 206/459.5
6,621,629 B2	9/2003	Blumenthal et al.	8,240,491 B2	8/2012	Beecroft et al.
D480,960 S	10/2003	Gray et al.	8,281,929 B2 *	10/2012	Franks ..... B65D 23/14 206/534
D481,165 S	10/2003	Angeletta	D673,852 S	1/2013	Wood et al.
6,669,804 B2	12/2003	Pendry et al.	D675,097 S	1/2013	Burke, Jr.
D485,764 S	1/2004	Bakic	8,371,463 B2	2/2013	Beecroft
6,681,945 B1	1/2004	Harrold	D679,994 S	4/2013	Dahl
6,698,605 B2	3/2004	Clodfelter et al.	D681,465 S	5/2013	Cox et al.
6,712,398 B1	3/2004	Fox et al.	8,534,220 B1	9/2013	Olson
6,722,495 B2	4/2004	Fresnel	D691,473 S	10/2013	Smith et al.
D489,622 S	5/2004	Weber	D700,843 S	3/2014	Shaw
6,745,505 B2	6/2004	Moran	8,752,705 B2	6/2014	Adler et al.
6,752,272 B2	6/2004	Jones et al.	D714,146 S	9/2014	King
6,789,497 B1	9/2004	Aiken	D723,919 S	3/2015	Taber et al.
D497,311 S	10/2004	Walsh et al.	D731,170 S	6/2015	Priebe et al.
D501,638 S *	2/2005	Hutter ..... D9/569	D752,975 S	4/2016	Gatto
6,854,613 B2	2/2005	Biesecker et al.	D755,045 S	5/2016	Kuo
6,860,390 B2	3/2005	Bowman	D755,056 S	5/2016	Terrasi
6,860,513 B2	3/2005	Kaufman	2001/0017817 A1	8/2001	De La Huerga
6,868,627 B2	3/2005	Elias	2002/0020088 A1	2/2002	Kreutner
6,871,752 B2	3/2005	Montgomery			
6,923,376 B2	8/2005	Gosden et al.			
6,951,353 B2	10/2005	Kozlowski et al.			
D511,456 S	11/2005	Forte			



2002/0041091	A1	4/2002	Eippert	
2002/0063739	A1	5/2002	Gosden et al.	
2002/0088732	A1	7/2002	Takahashi et al.	
2002/0126585	A1	9/2002	Osberg et al.	
2002/0129758	A1	9/2002	Hanley et al.	
2002/0162261	A1	11/2002	West et al.	
2002/0171238	A1	11/2002	Kozlowski et al.	
2003/0025320	A1	2/2003	Shoemaker	
2003/0028392	A1	2/2003	Davies	
2003/0091687	A1	5/2003	Copelan	
2003/0127351	A1	7/2003	Takahashi et al.	
2003/0147450	A1	8/2003	Witonsky et al.	
2003/0192211	A1	10/2003	Elias	
2003/0193181	A1	10/2003	Hung	
2003/0193185	A1	10/2003	Valley et al.	
2003/0205897	A1	11/2003	Kaufman	
2003/0214129	A1	11/2003	Adler	
2004/0045863	A1	3/2004	Rhoades	
2004/0050750	A1	3/2004	Hannan et al.	
2004/0056479	A1	3/2004	Fox et al.	
2004/0075272	A1	4/2004	Kaufman	
2004/0169000	A1	9/2004	Ramsey	
2004/0193454	A1	9/2004	Footte et al.	
2004/0232023	A1	11/2004	Bansal et al.	
2004/0237311	A1	12/2004	Brown et al.	
2005/0029154	A1	2/2005	Kahn et al.	
2005/0061765	A1	3/2005	Skillin et al.	
2005/0121406	A1	6/2005	Brozell et al.	
2005/0150857	A1	7/2005	Brozell et al.	
2005/0205513	A1	9/2005	Ridding	
2006/0163103	A1	7/2006	Adler et al.	
2006/0163110	A1	7/2006	Adler et al.	
2006/0163869	A1	7/2006	Adler et al.	
2006/0213860	A1	9/2006	Robinson	
2006/0273063	A1	12/2006	Borger	
2007/0029788	A1	2/2007	Adler	
2007/0062901	A1*	3/2007	Konefal .....	B65D 50/046 215/228
2007/0102316	A1	5/2007	Van Der Krogt et al.	
2008/0009822	A1	1/2008	Enerson	
2008/0015539	A1	1/2008	Pieroni et al.	
2008/0017602	A1	1/2008	Adler et al.	
2008/0053565	A1	3/2008	Py et al.	
2008/0147037	A1	6/2008	Foster	
2009/0026104	A1	1/2009	Cassidy	
2009/0050514	A1	2/2009	Devaux-Day	
2009/0090688	A1	4/2009	Fruchter	
2009/0127157	A1	5/2009	Costa et al.	
2009/0140513	A1	6/2009	Priebe et al.	
2009/0283492	A1	11/2009	Molinaro et al.	
2009/0301985	A1	12/2009	Priebe et al.	
2010/0038279	A1	2/2010	Estep	
2010/0051572	A1	3/2010	Beecroft et al.	
2010/0147732	A1	6/2010	Delagrange et al.	
2010/0230447	A1	9/2010	Eriksen	
2010/0313527	A1	12/2010	Jajoo et al.	
2010/0314351	A1	12/2010	Hoefling	
2010/0327010	A1	12/2010	Manera et al.	
2011/0006030	A1	1/2011	Branson et al.	
2011/0155624	A1	6/2011	Caron et al.	
2012/0017790	A1	1/2012	Adler	
2012/0103462	A1	5/2012	Levy	
2013/0097973	A1	4/2013	McCoy et al.	
2015/0014269	A1	1/2015	Gillman	
2015/0122767	A1	5/2015	Mettu et al.	
2015/0129531	A1	5/2015	Gallon et al.	

FOREIGN PATENT DOCUMENTS

DE	3723671	8/1988
EP	0146095	6/1985
EP	0316636	5/1989
EP	0609955	4/1998
EP	0609954	7/1998
EP	0924676	6/1999
FR	2296391	7/1976
GB	2006713	5/1979
GB	2126565	3/1984
JP	10297640	11/1998

WO	00/28474	5/2000
WO	00/64676	11/2000
WO	01/45028	6/2001
WO	03/098275	11/2003
WO	2004/048216	6/2004

OTHER PUBLICATIONS

“Multi-Dose, Multi-Color, I.V. Bag Rings,” [www.medidose.com/catalog/ivpharm/bagrings.html](http://www.medidose.com/catalog/ivpharm/bagrings.html), publicly advertised online at least as early as Apr. 27, 2002 based on the internet archive available at [www.archive.org](http://www.archive.org), 1 pg.

“Press-In Bottle Adapters,” printed from [www.medidose.com/press-inbottleadapter.aspx](http://www.medidose.com/press-inbottleadapter.aspx) available as early as 2010, 3 pgs.

Aliexpress, Pharmaceutical Caps. 2010 [earliest online date], [site visited Sep. 29, 2016]. Available from Internet, <URL: <https://www.aliexpress.com/item/20mm-flip-off-cap-200pcs-lot-All-Kinds-Of-Colored-Flip-Off-Caps-pharmaceutical-capsflip/32728538288.html?spm=2114.40010508.4.29.Ncbos6>>, 8 pgs.

Images of Target Bottle Insert publicly used more than one year prior to Oct. 24, 2011, 1 pg.

Office Action from Canadian Patent Application No. 2,769,779, dated May 25, 2012, 2 pgs.

Office Action from Canadian Patent Application No. 2,769,779, dated Sep. 28, 2012, 3 pgs.

Office Action from Canadian Patent Application No. 2,793,173, dated Feb. 25, 2013, 3 pgs.

Office Action from Canadian Patent Application No. 2,793,173, dated Jul. 5, 2013, 3 pgs.

Office Action from Canadian Patent Application No. 2,809,252, dated Apr. 1, 2014, 2 pgs.

Office Action from Canadian Patent Application No. 2,809,252, dated Jul. 8, 2013, 2 pgs.

Photographs of Advil® Bottle and CR Cap, available at least one year prior to Oct. 25, 2011, 1 pg.

\* cited by examiner

Primary Examiner — Ian Simmons

Assistant Examiner — Keith Frank

(74) Attorney, Agent, or Firm — Patent Law Works LLP

(57) CLAIM

The ornamental design for a bottle, as shown and described.

DESCRIPTION

FIG. 1 is a top, front, perspective view of a bottle showing a first embodiment of our new design;

FIG. 2 is a bottom, rear, perspective view thereof;

FIG. 3 is a front view thereof;

FIG. 4 is a rear view thereof;

FIG. 5 is a right side view thereof;

FIG. 6 is a left side view thereof;

FIG. 7 is a top view thereof; and

FIG. 8 is a bottom view thereof.

FIG. 9 is a top, front, perspective view of a bottle showing a second embodiment of our new design;

FIG. 10 is a bottom, rear, perspective view thereof;

FIG. 11 is a front view thereof;

FIG. 12 is a rear view thereof;

FIG. 13 is a right side view thereof;

FIG. 14 is a left side view thereof;

FIG. 15 is a top view thereof; and

FIG. 16 is a bottom view thereof.

FIG. 17 is a top, front, perspective view of a bottle showing a third embodiment of our new design;

FIG. 18 is a bottom, rear, perspective view thereof;

FIG. **19** is a front view thereof;  
FIG. **20** is a rear view thereof;  
FIG. **21** is a right side view thereof;  
FIG. **22** is a left side view thereof;  
FIG. **23** is a top view thereof; and,  
FIG. **24** is a bottom view thereof.

The evenly spaced dash-dash broken lines in the drawings illustrate the portions of the bottle that form no part of the claimed design.

**1 Claim, 12 Drawing Sheets**

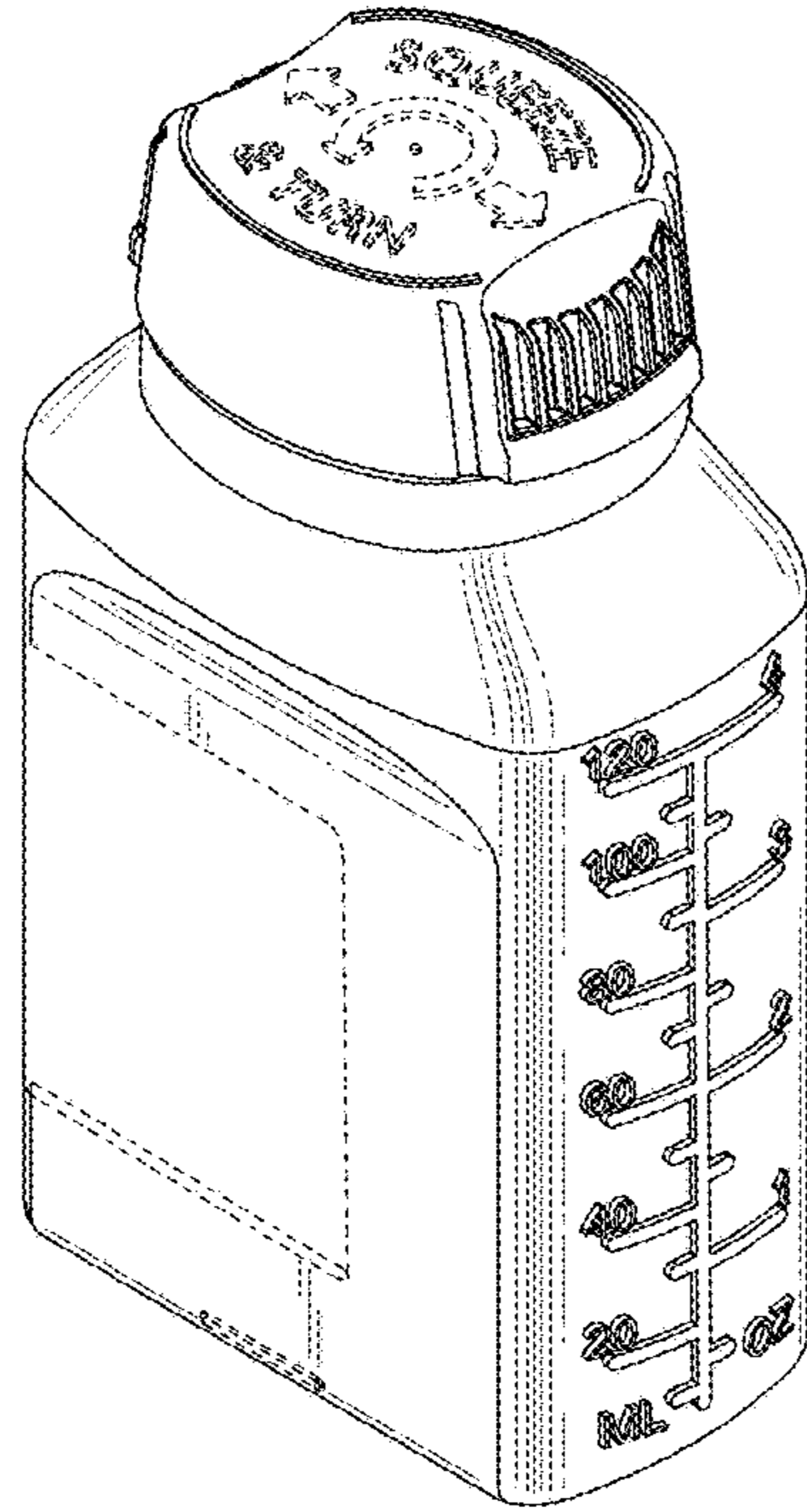


Fig. 1

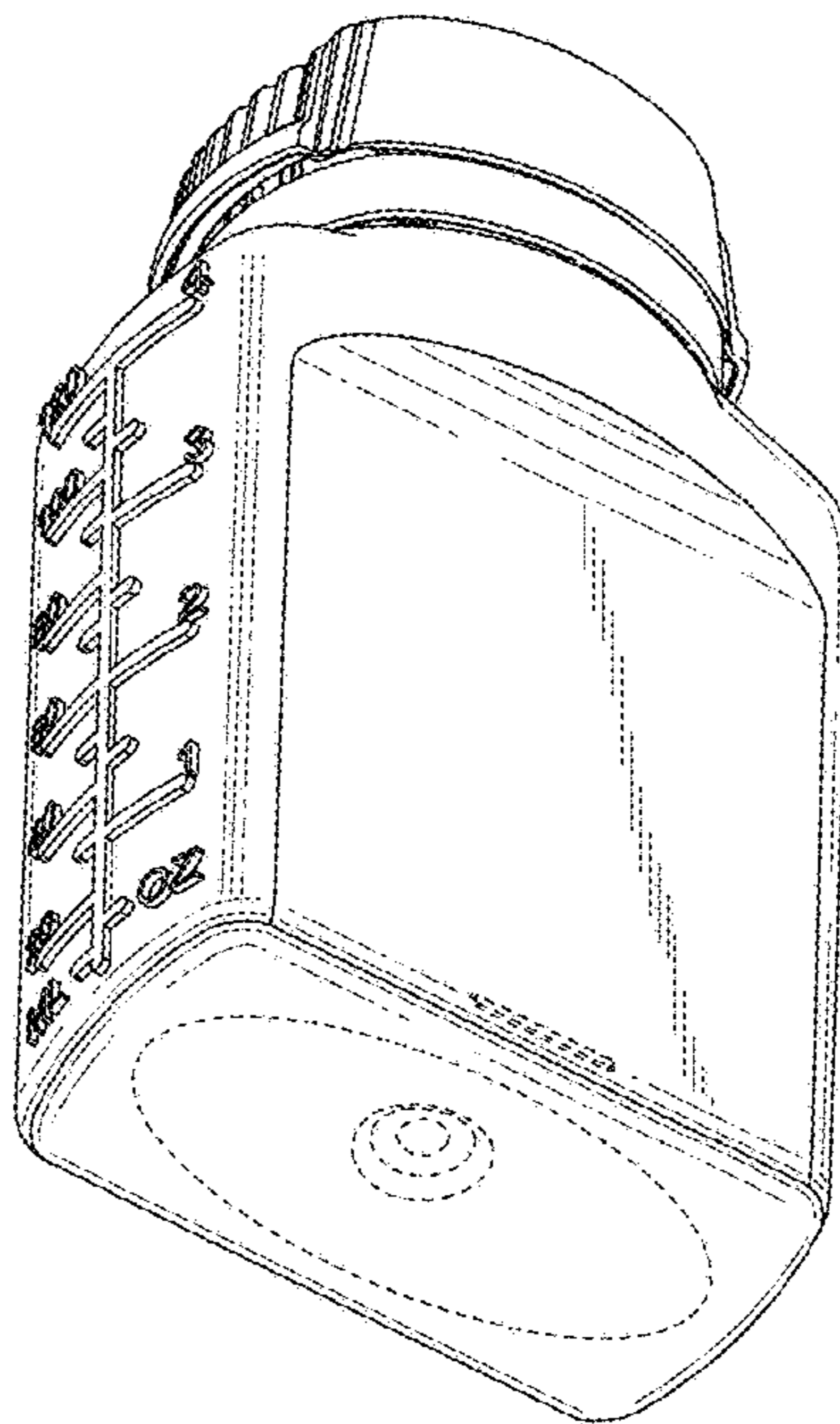


Fig. 2



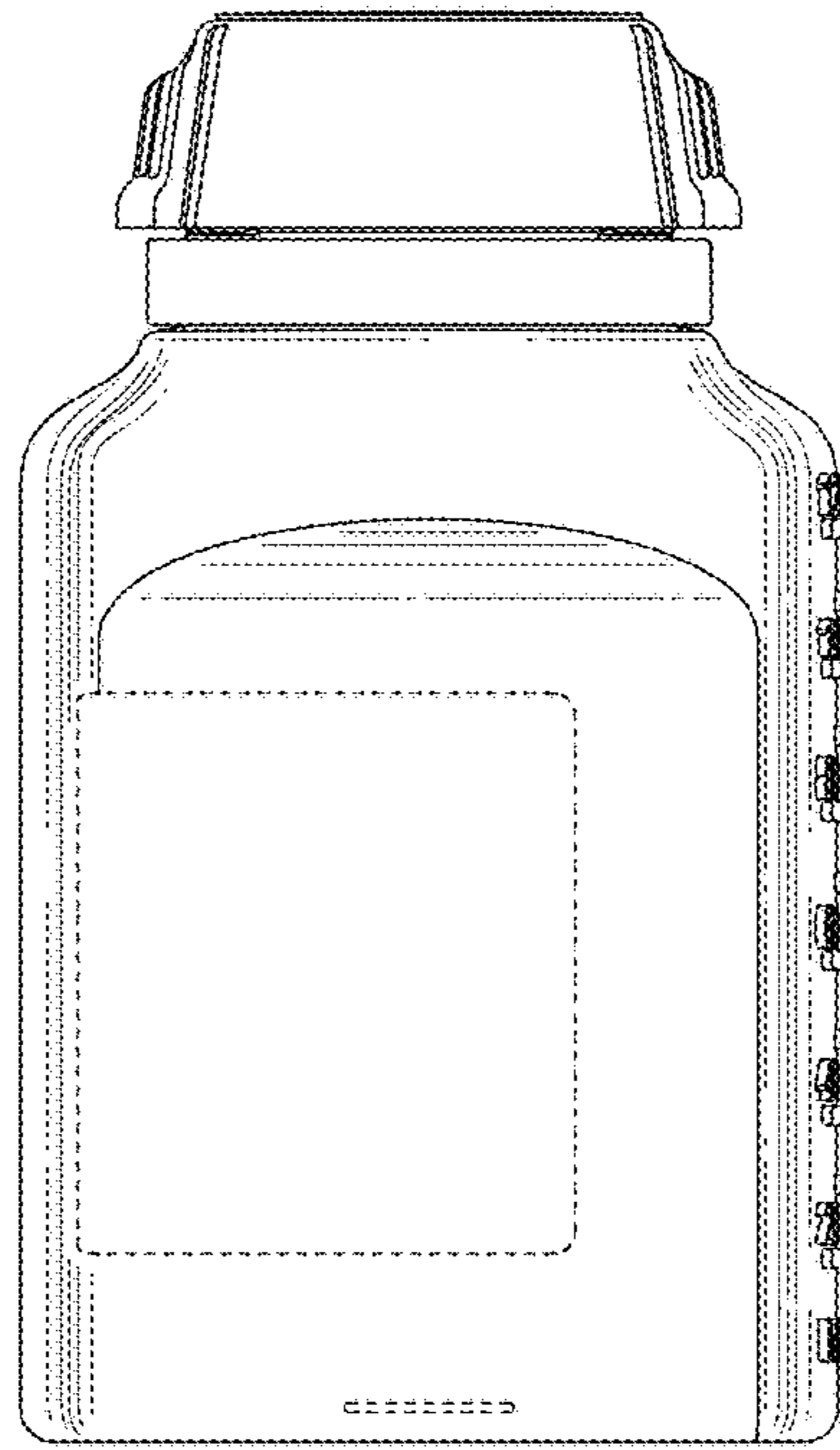


Fig. 3

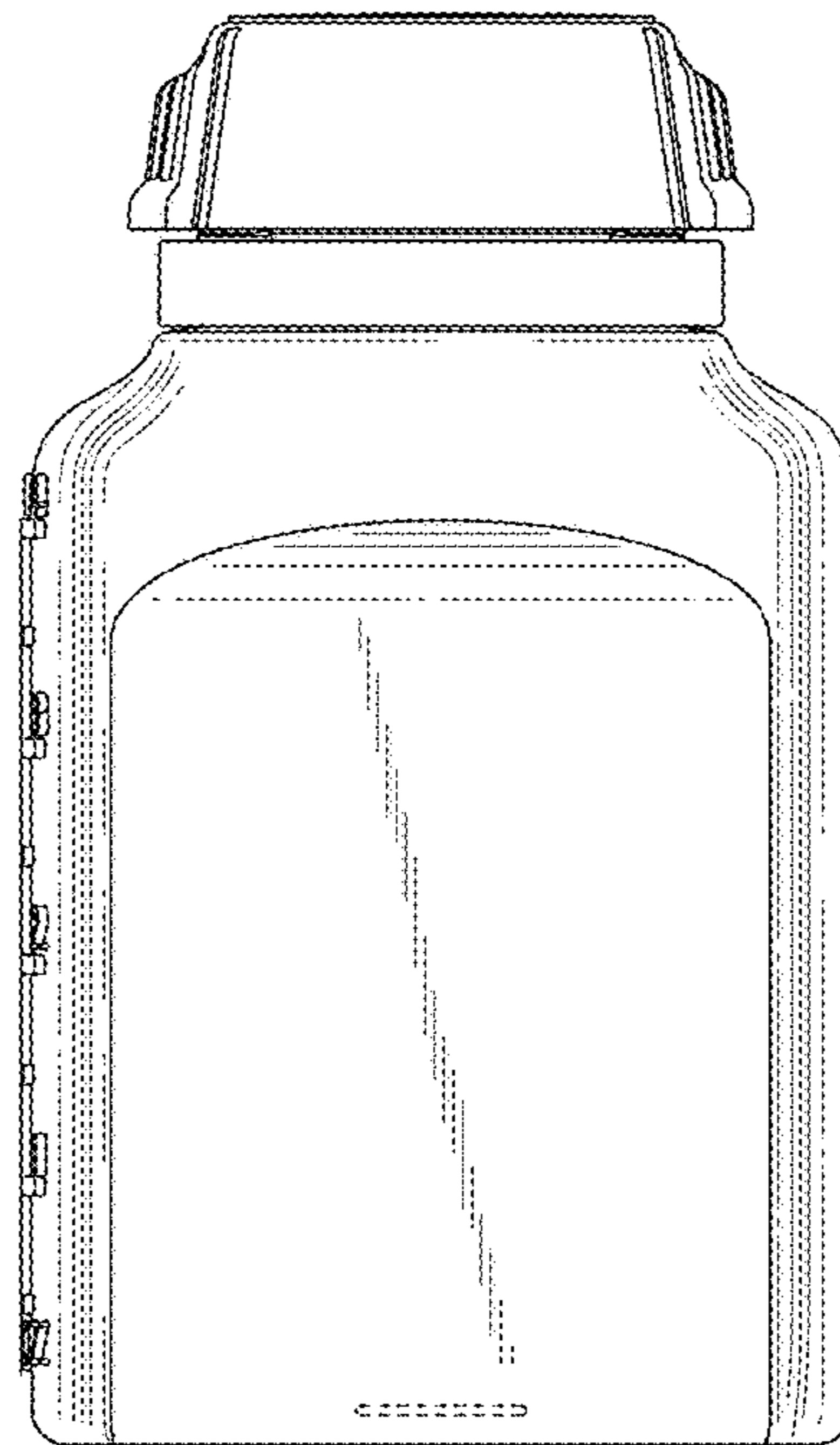


Fig. 4

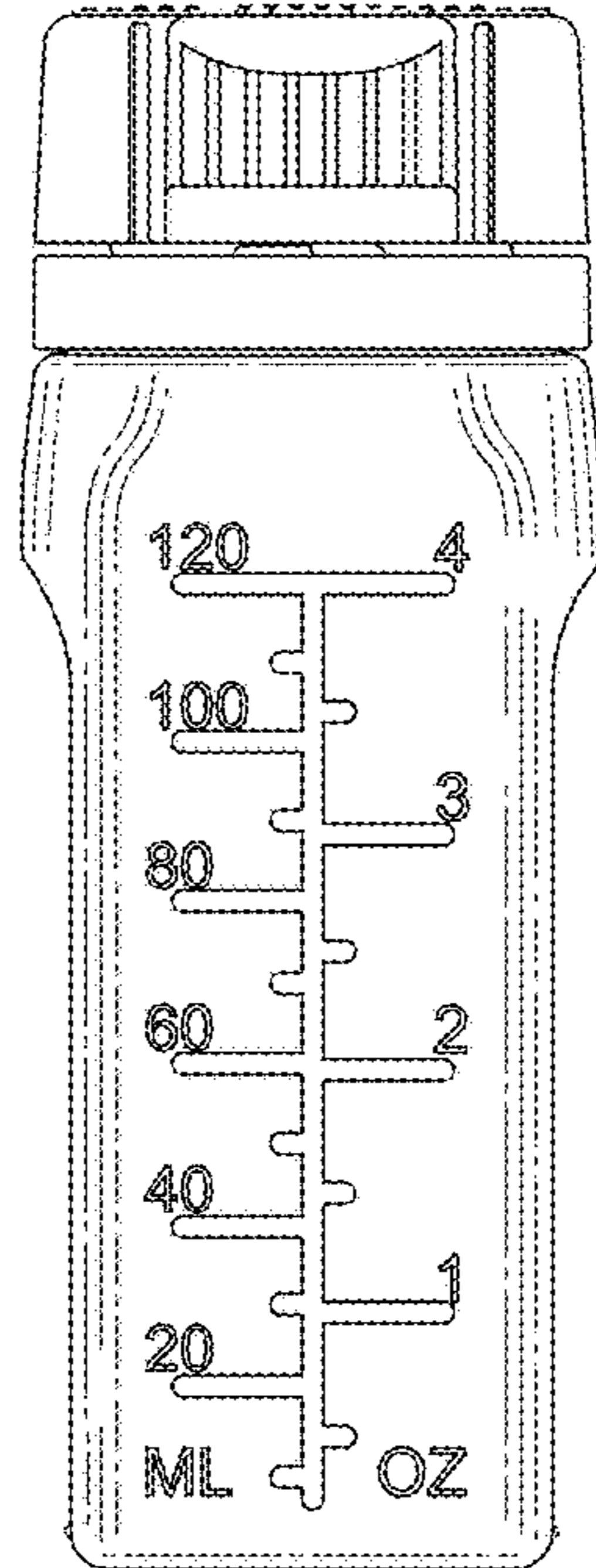


Fig. 5

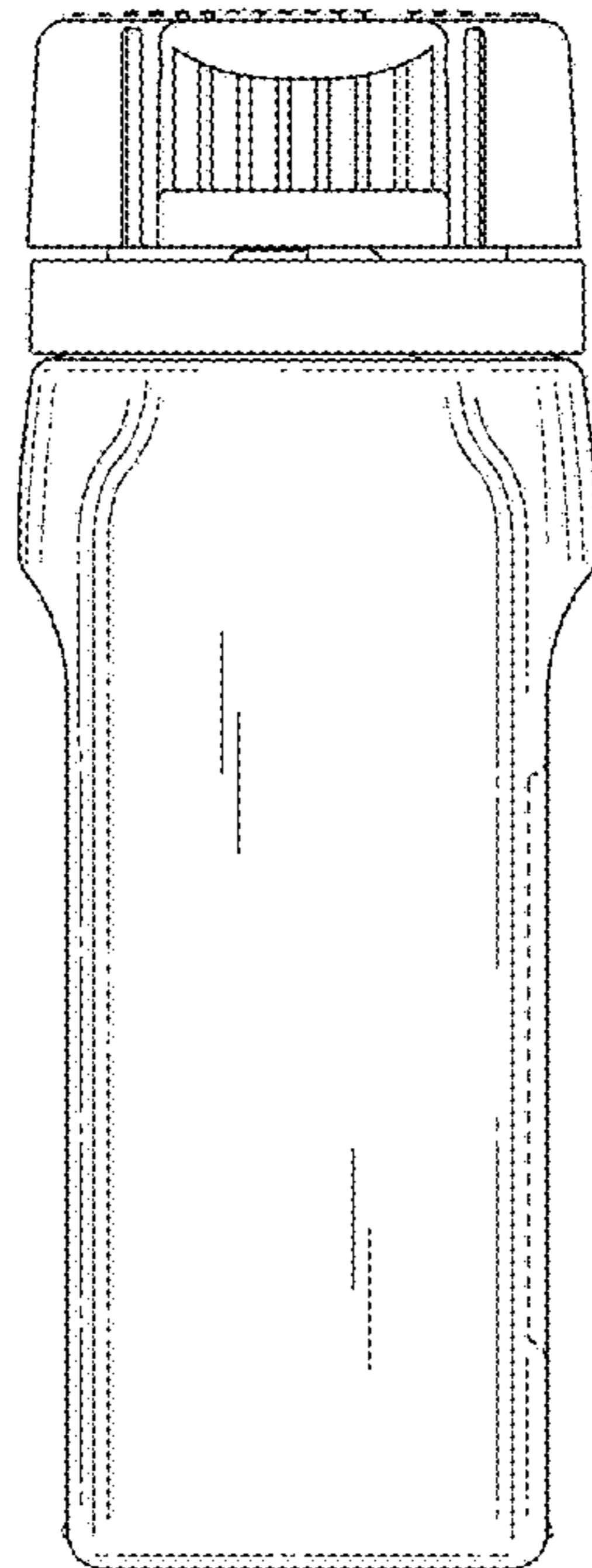


Fig. 6



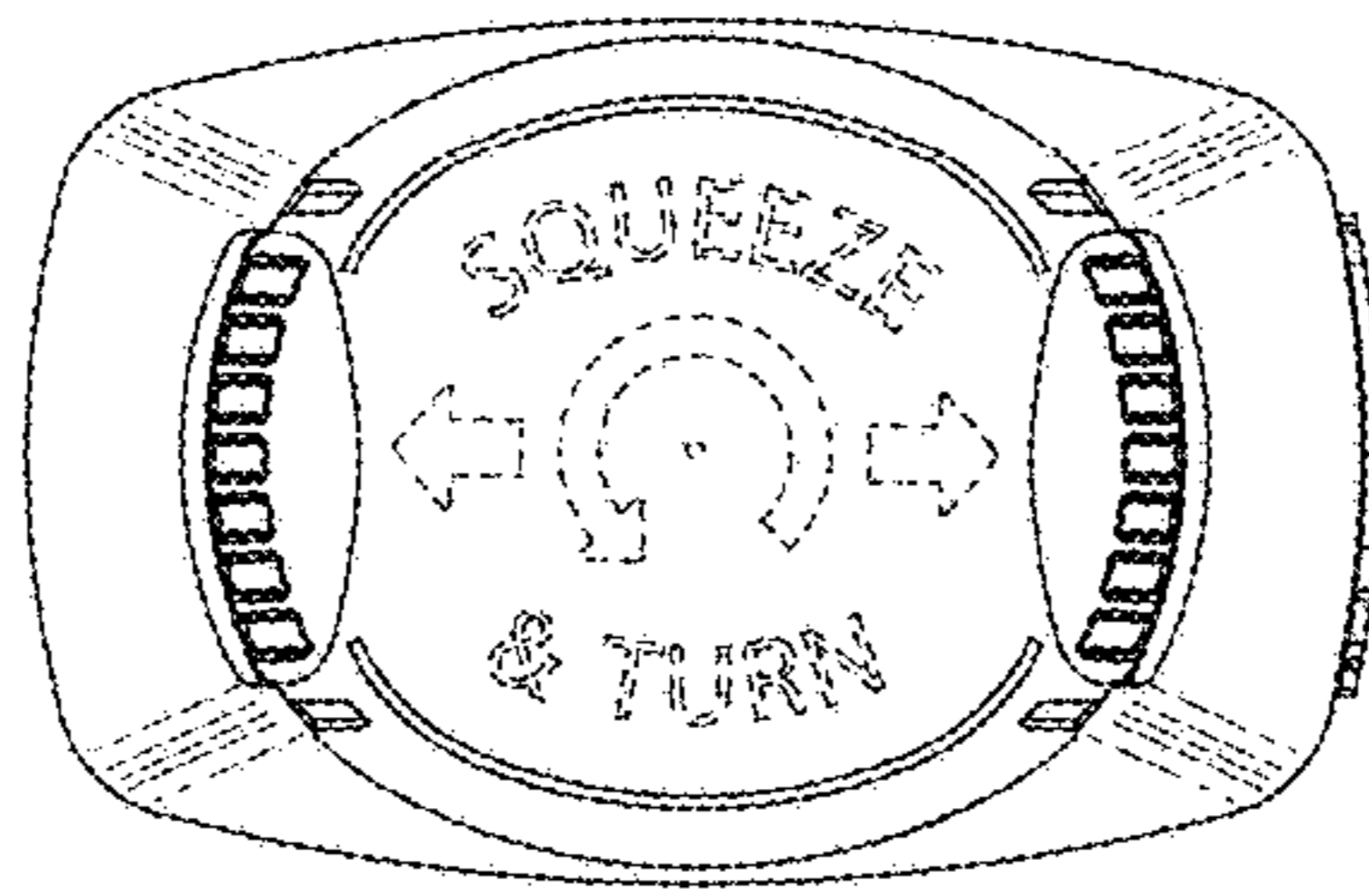


Fig. 7

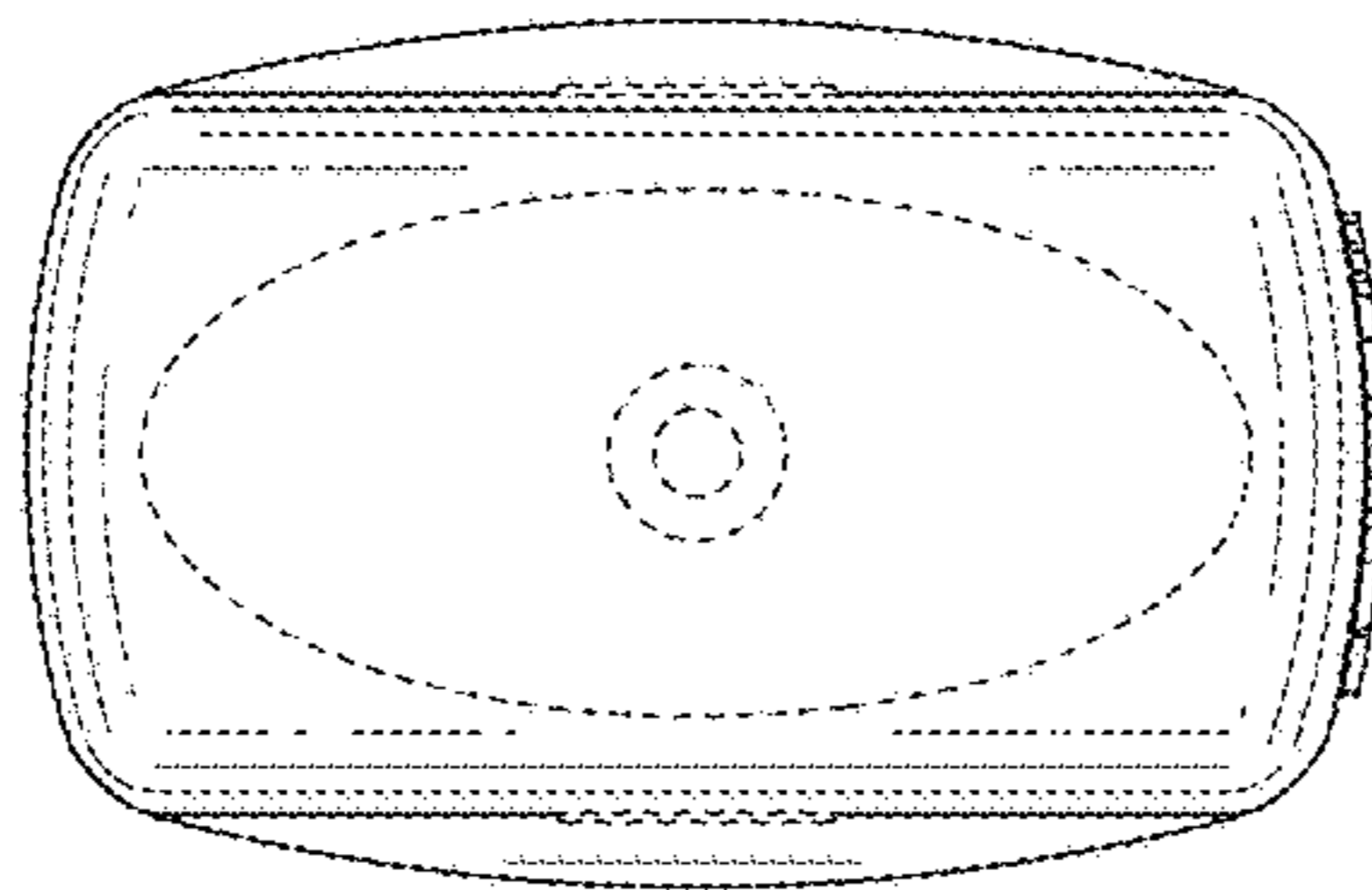


Fig. 8

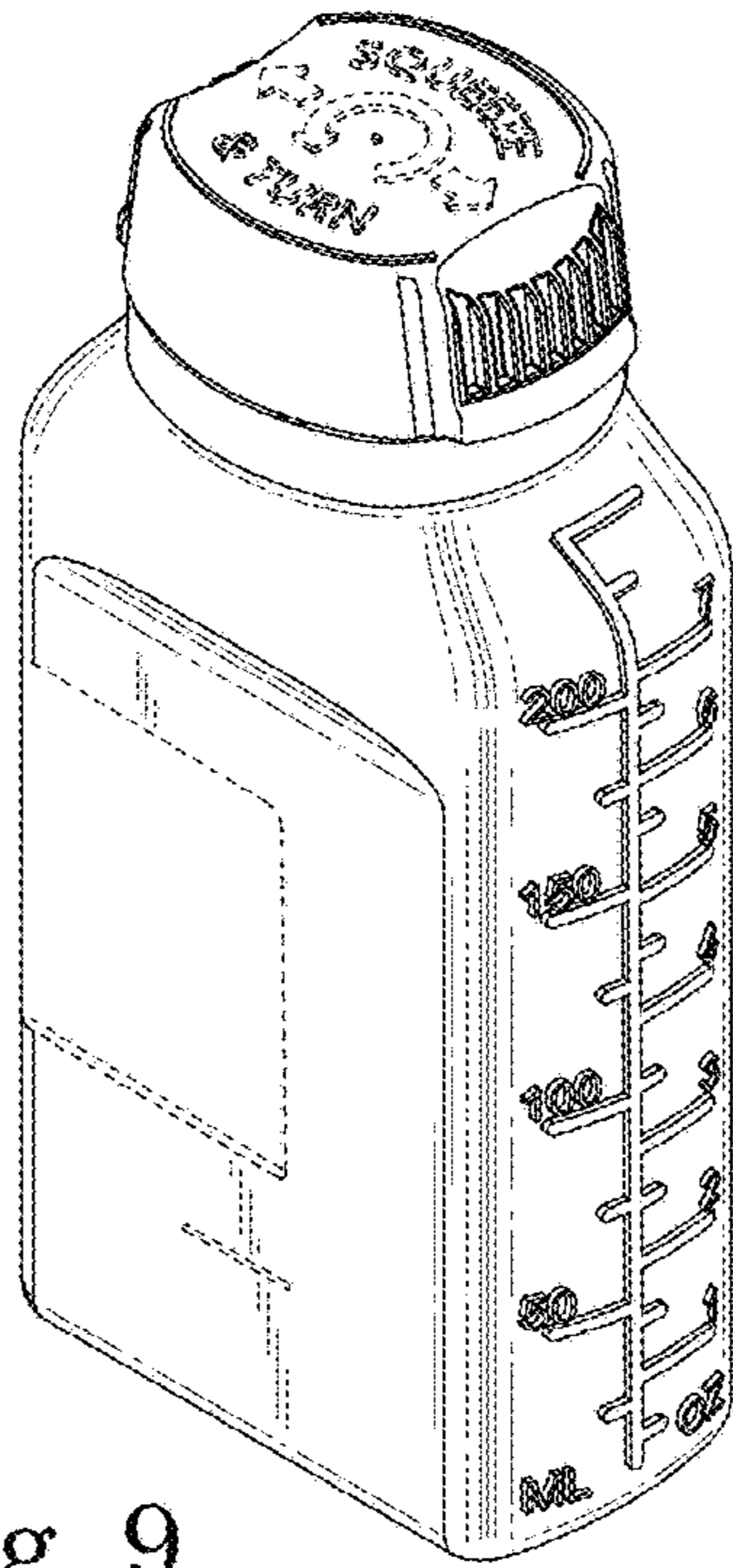


Fig. 9

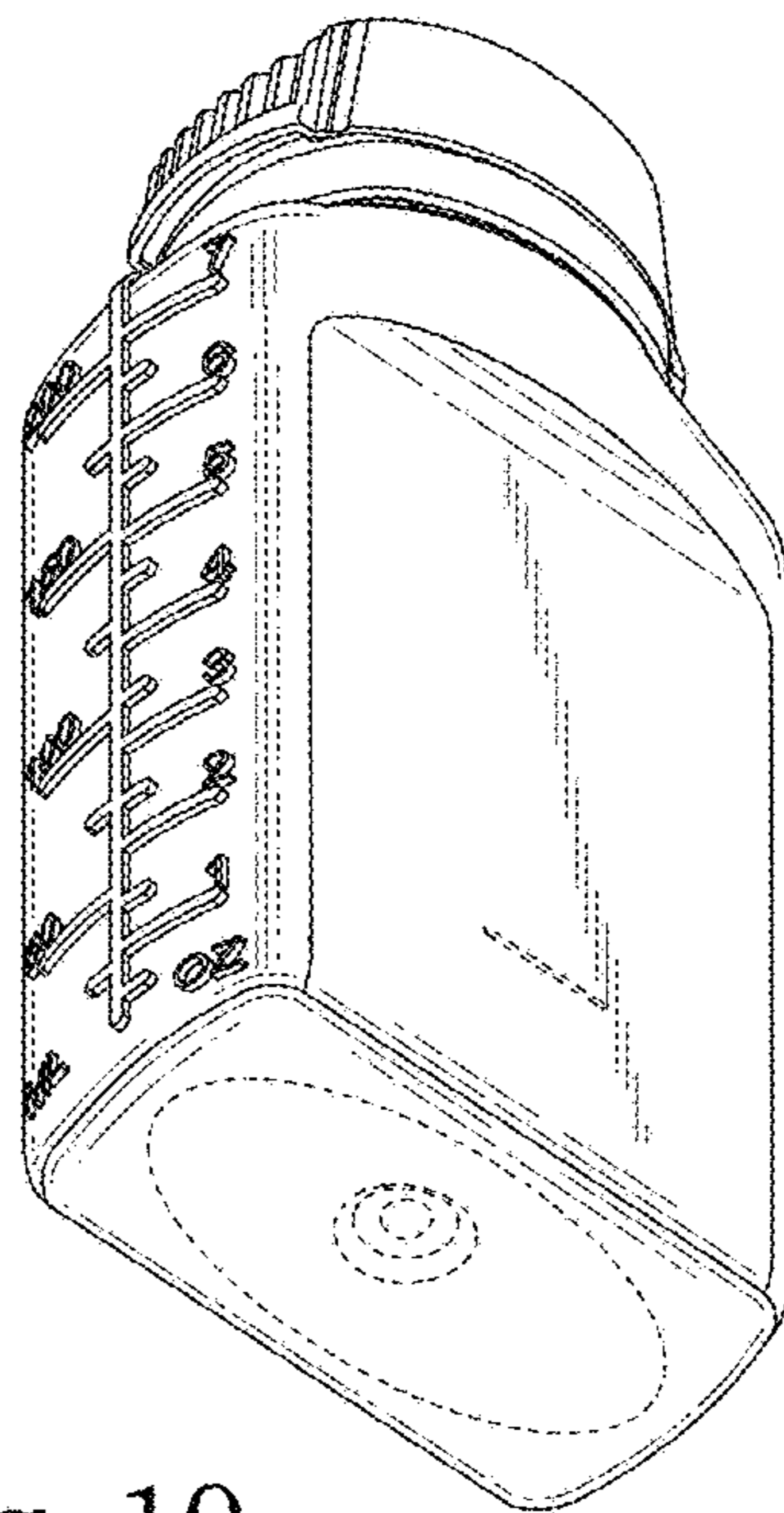


Fig. 10



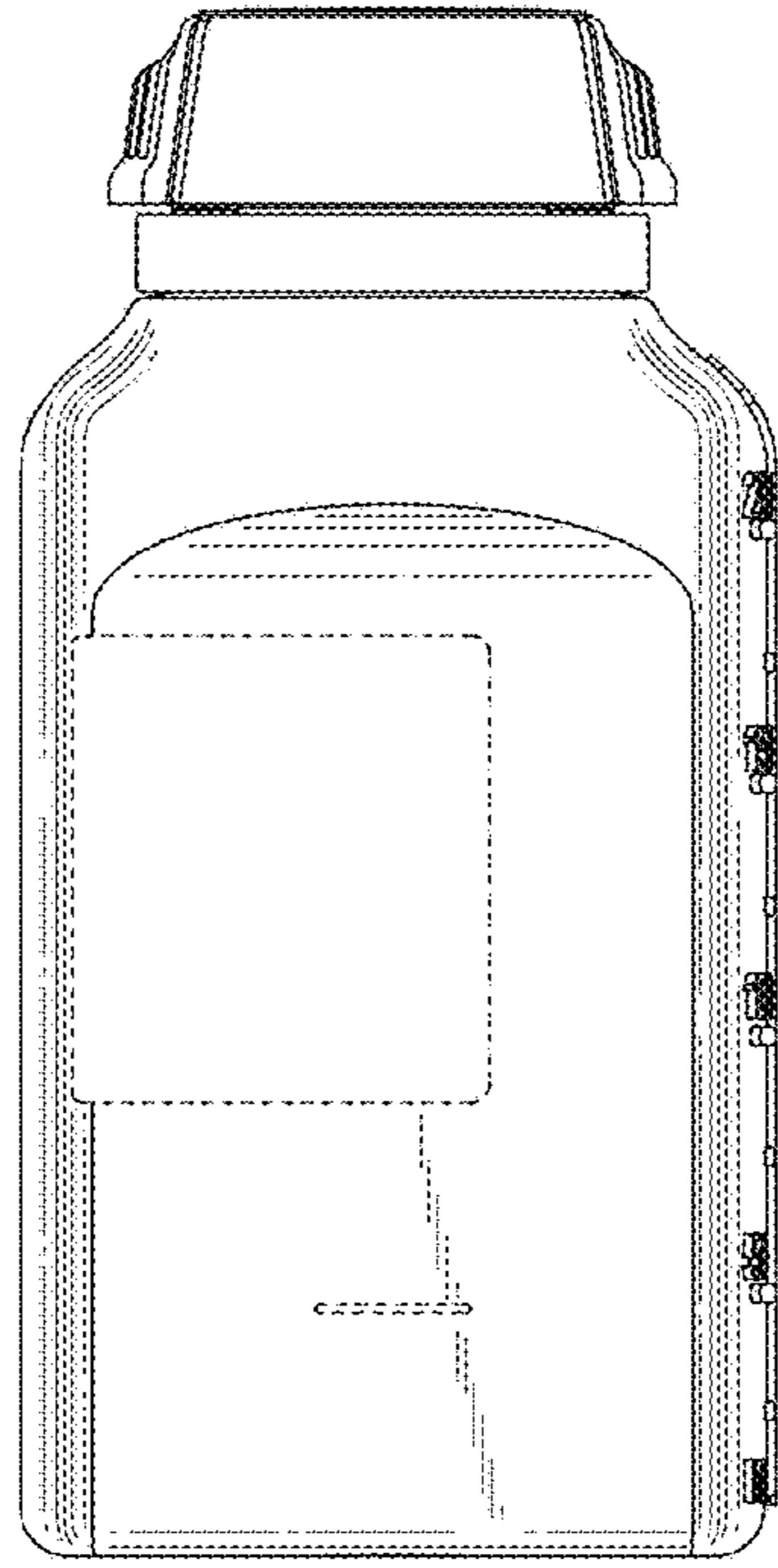


Fig. 11

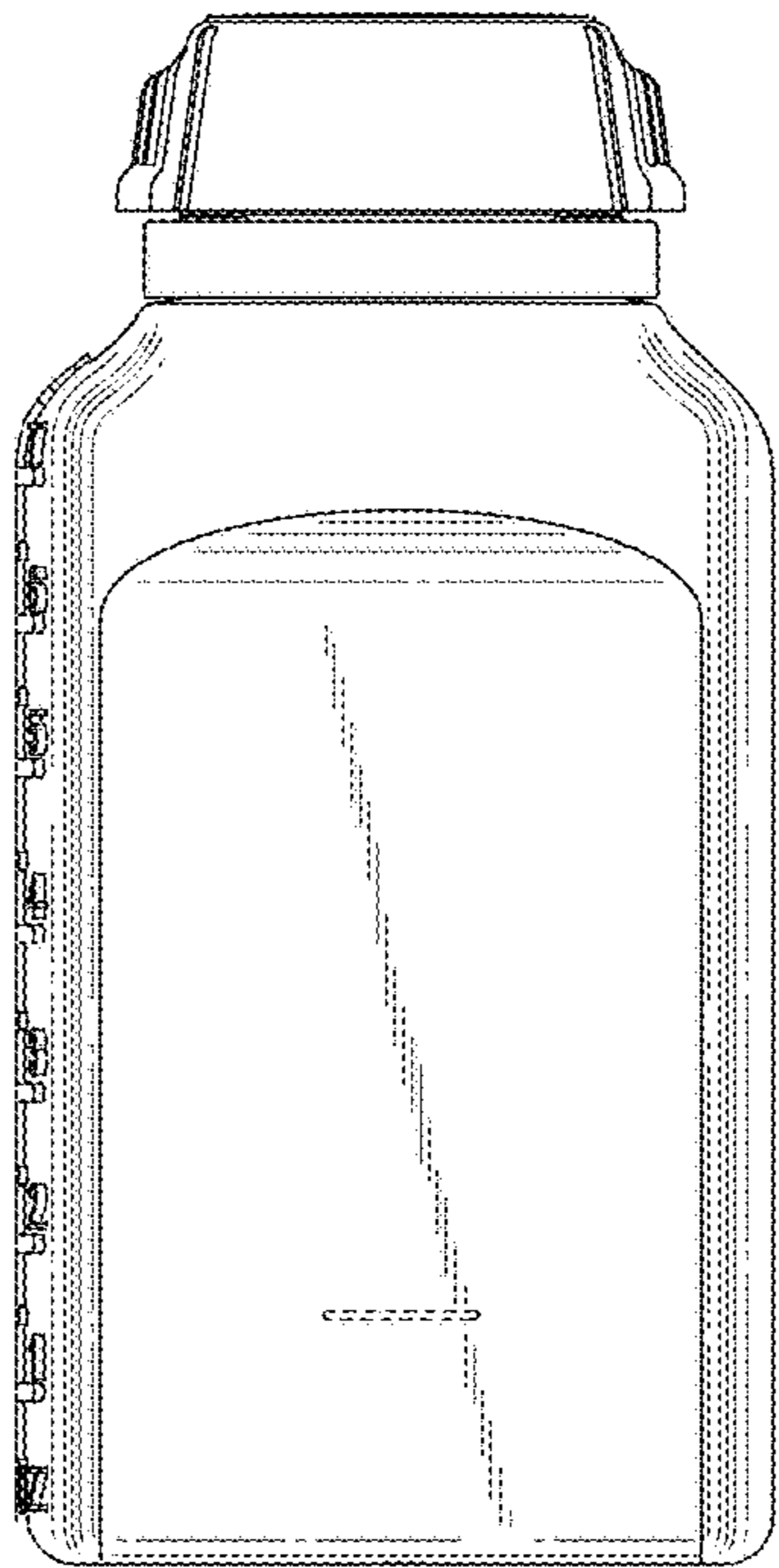


Fig. 12

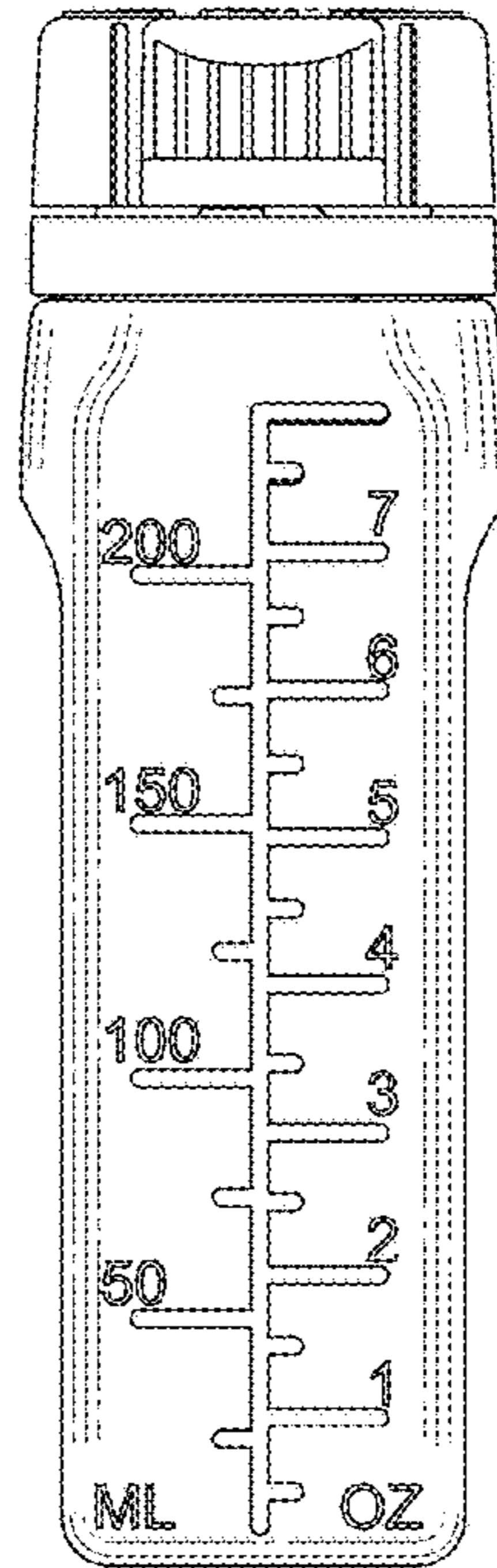


Fig. 13

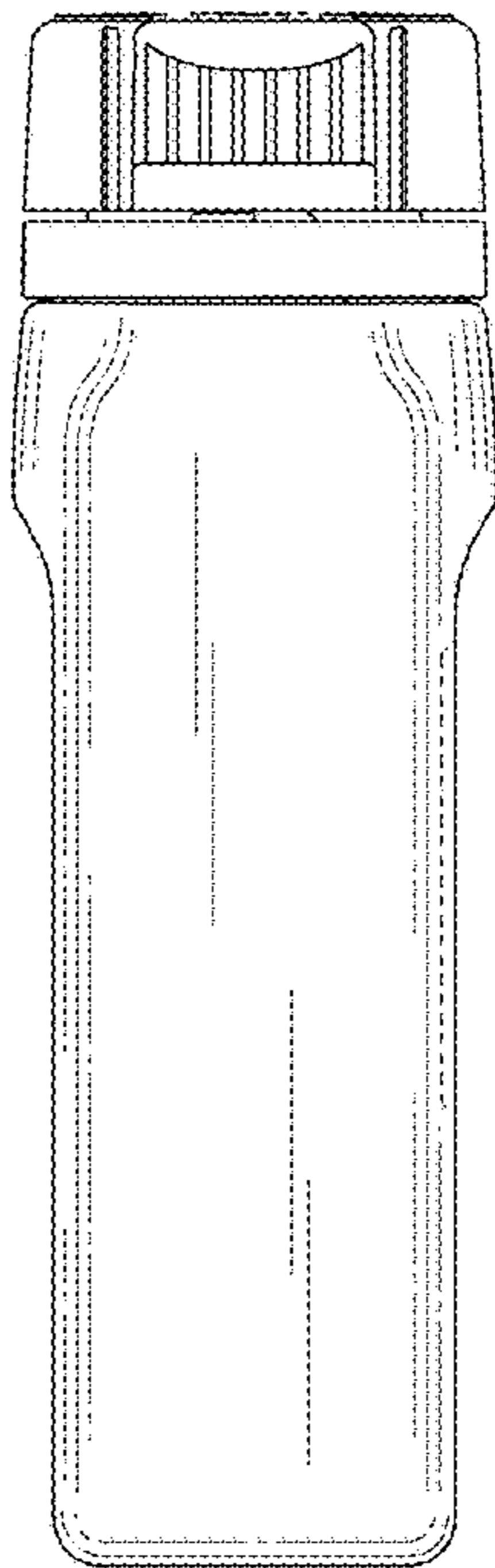


Fig. 14



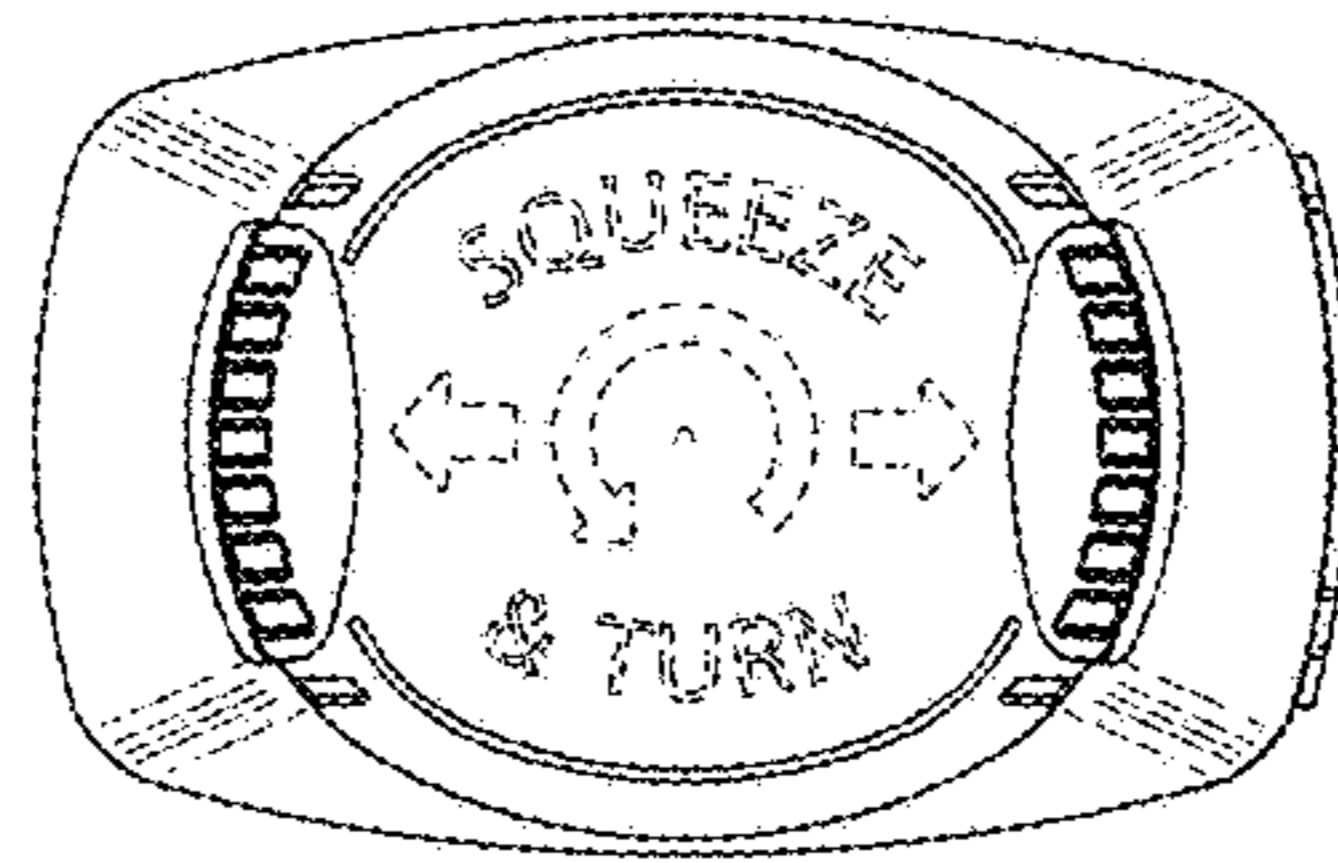


Fig. 15

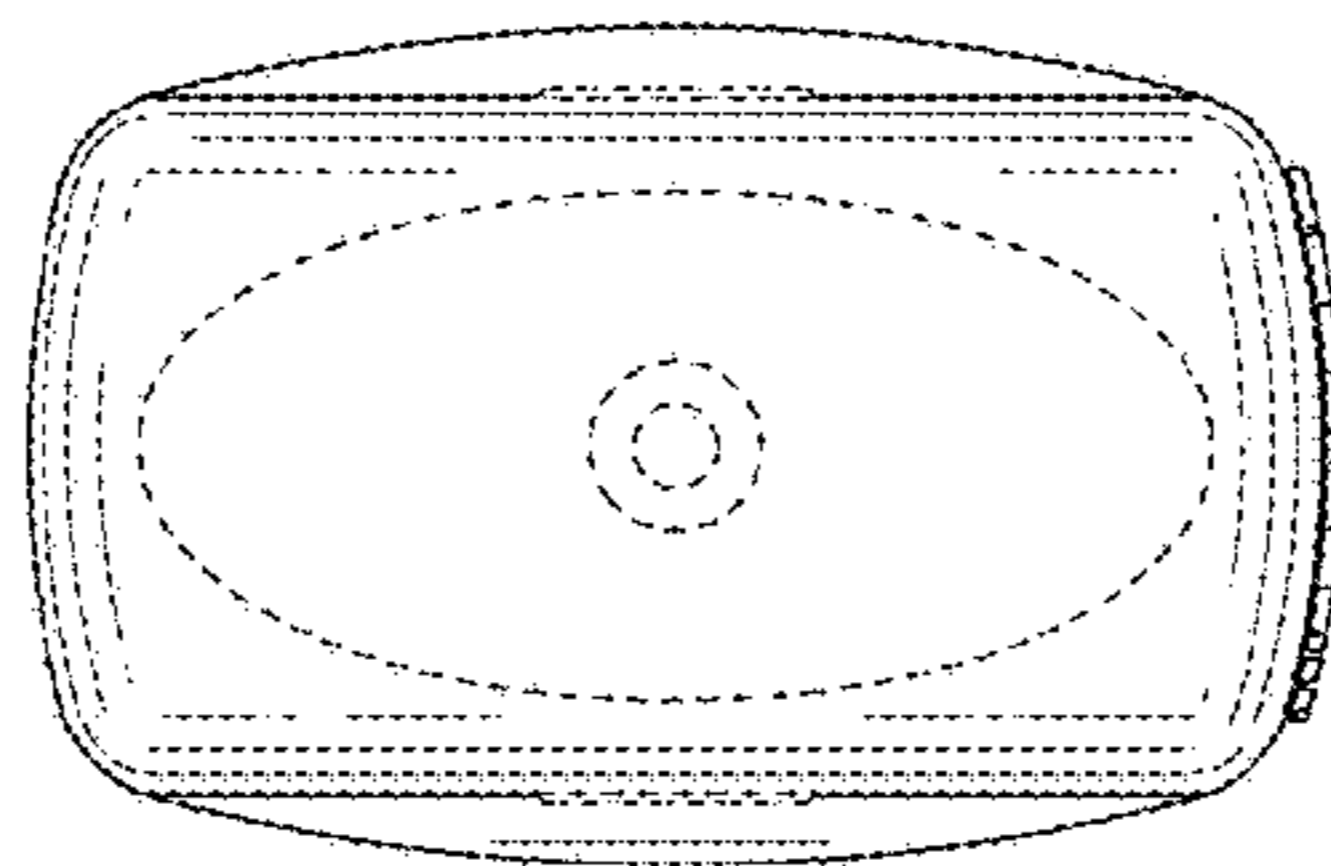


Fig. 16

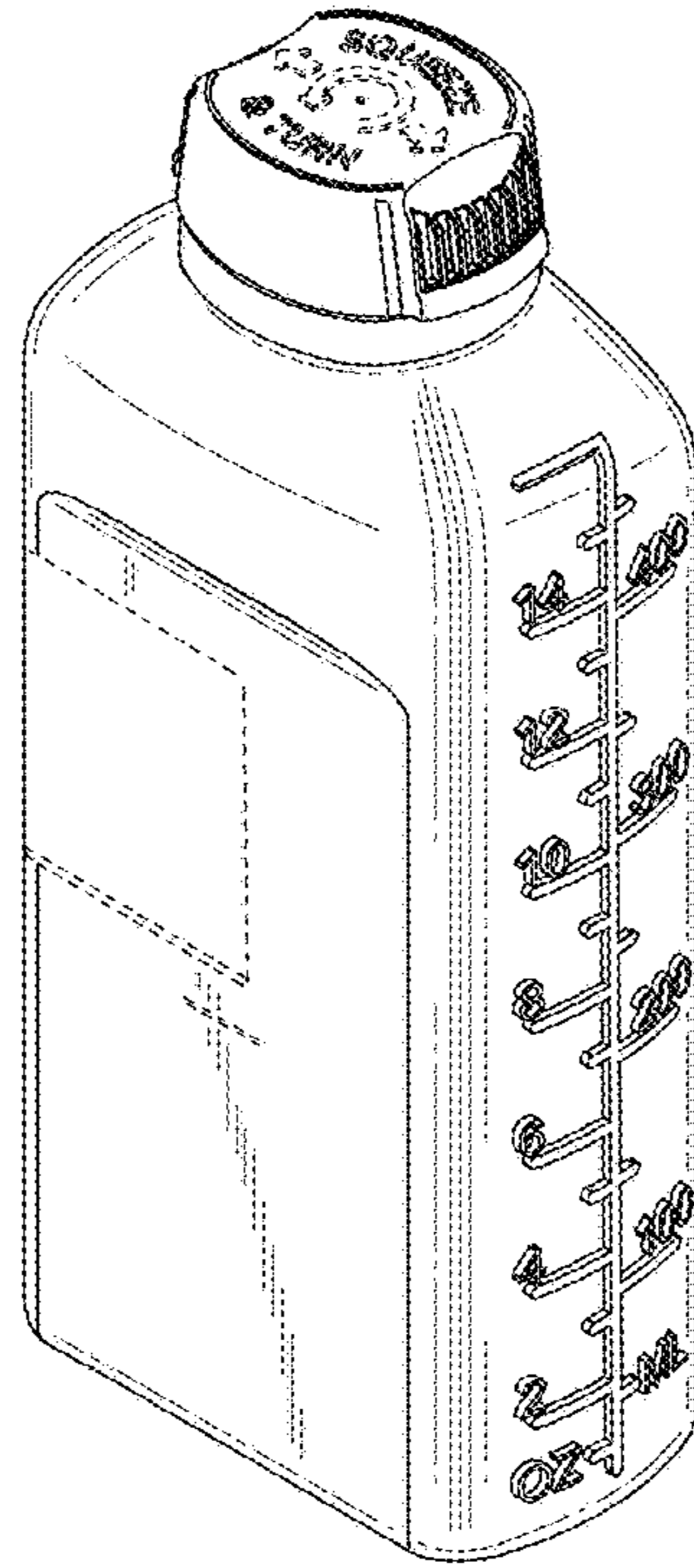


Fig. 17

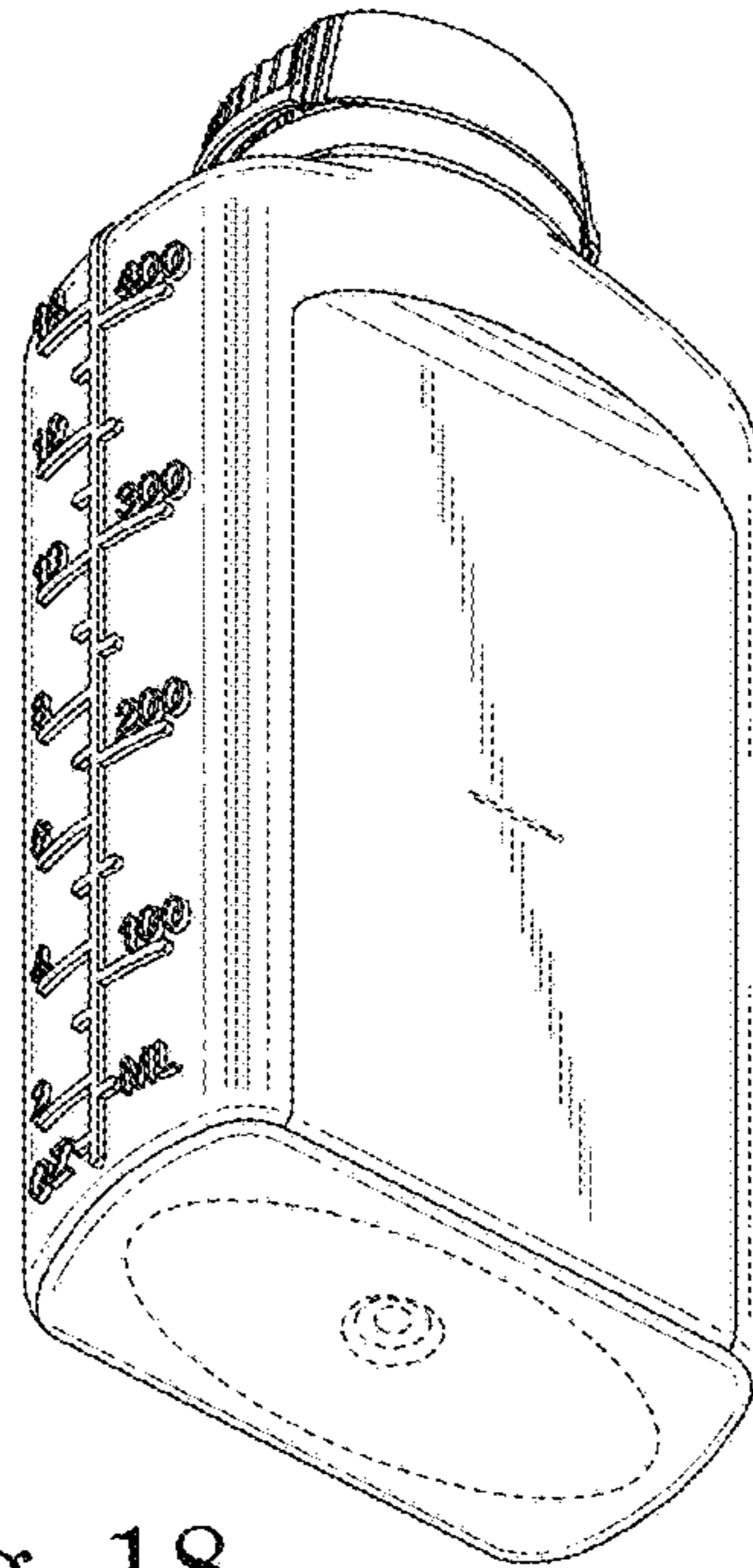


Fig. 18



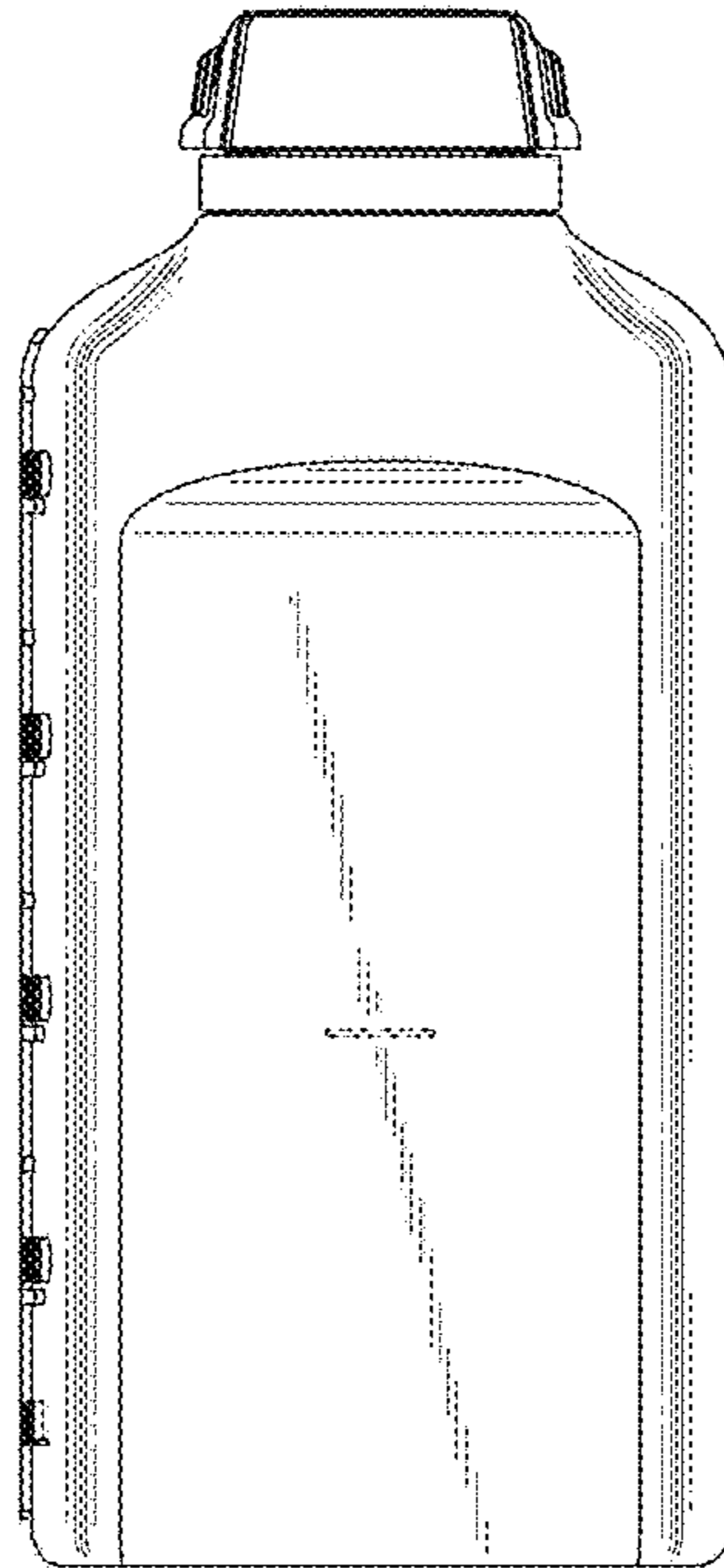


Fig. 19

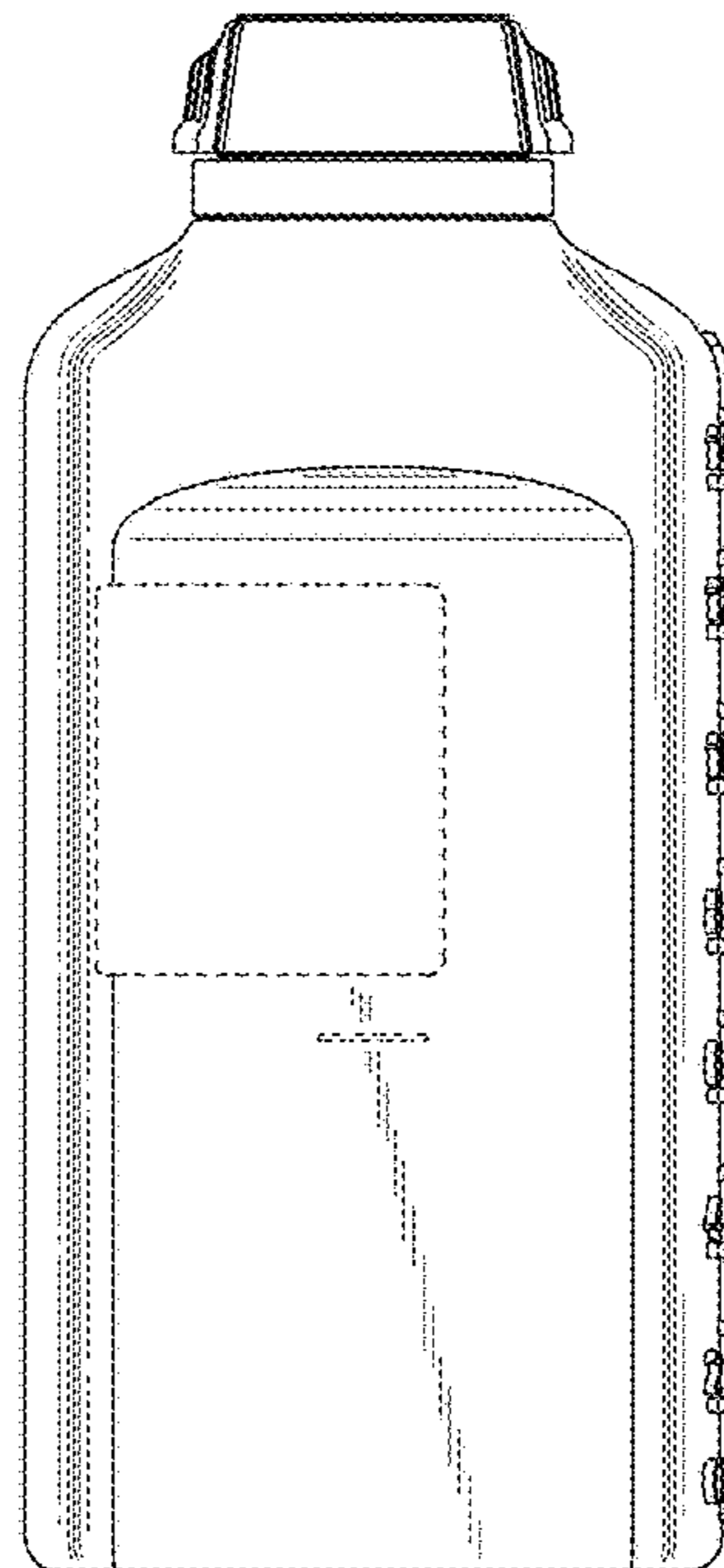


Fig. 20

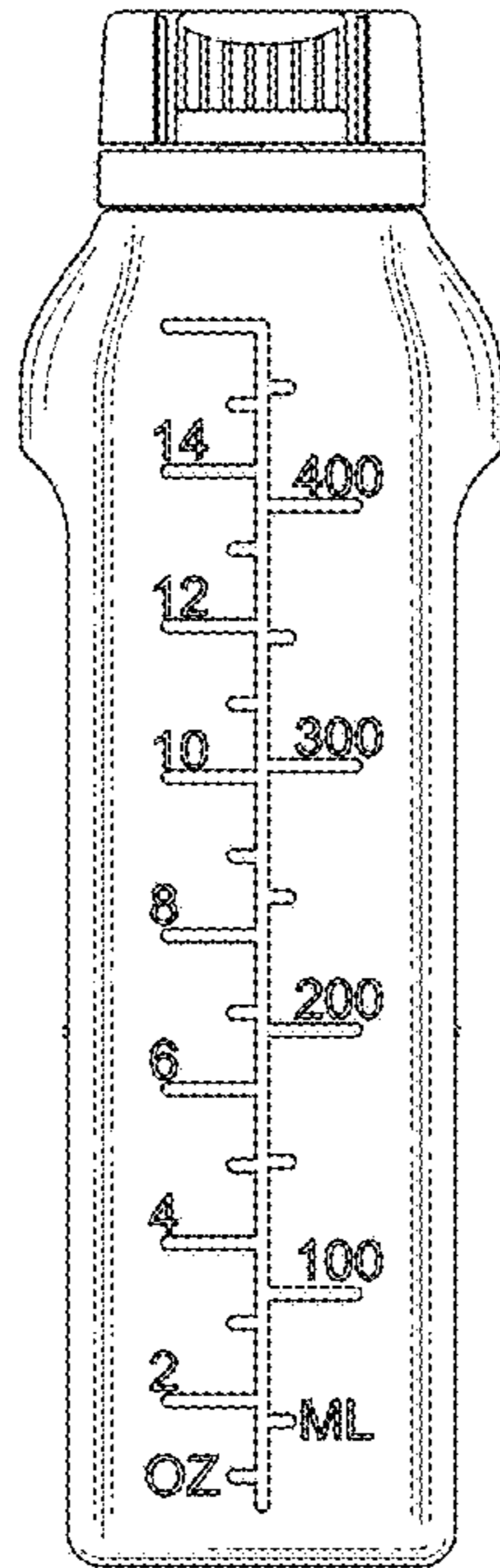


Fig. 21

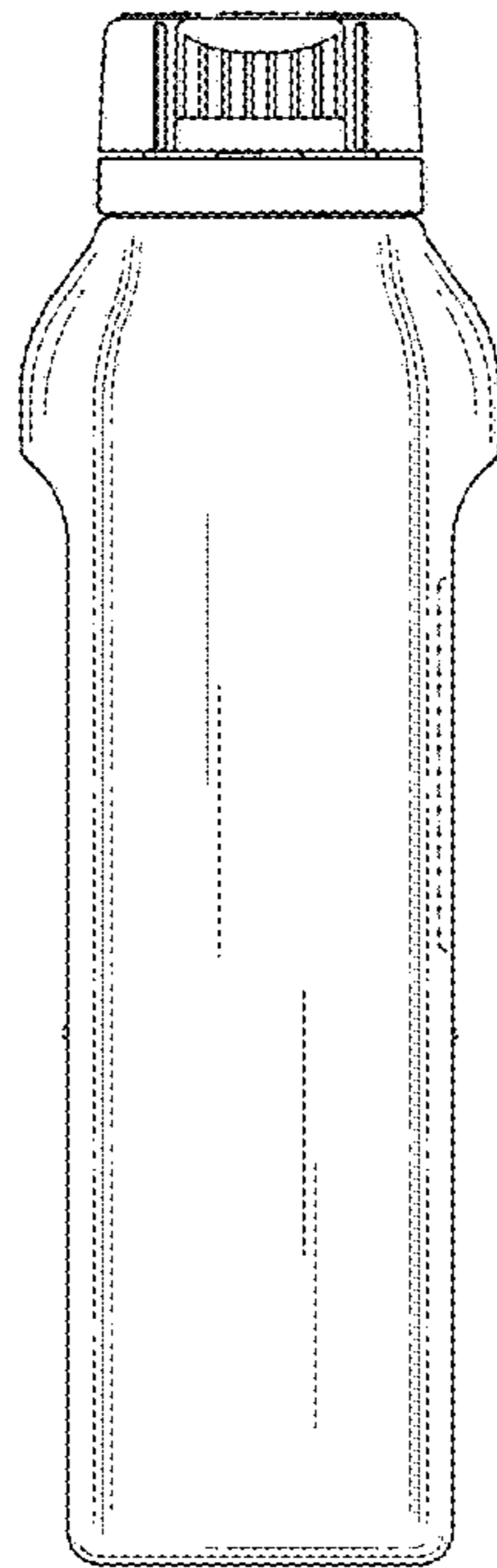


Fig. 22



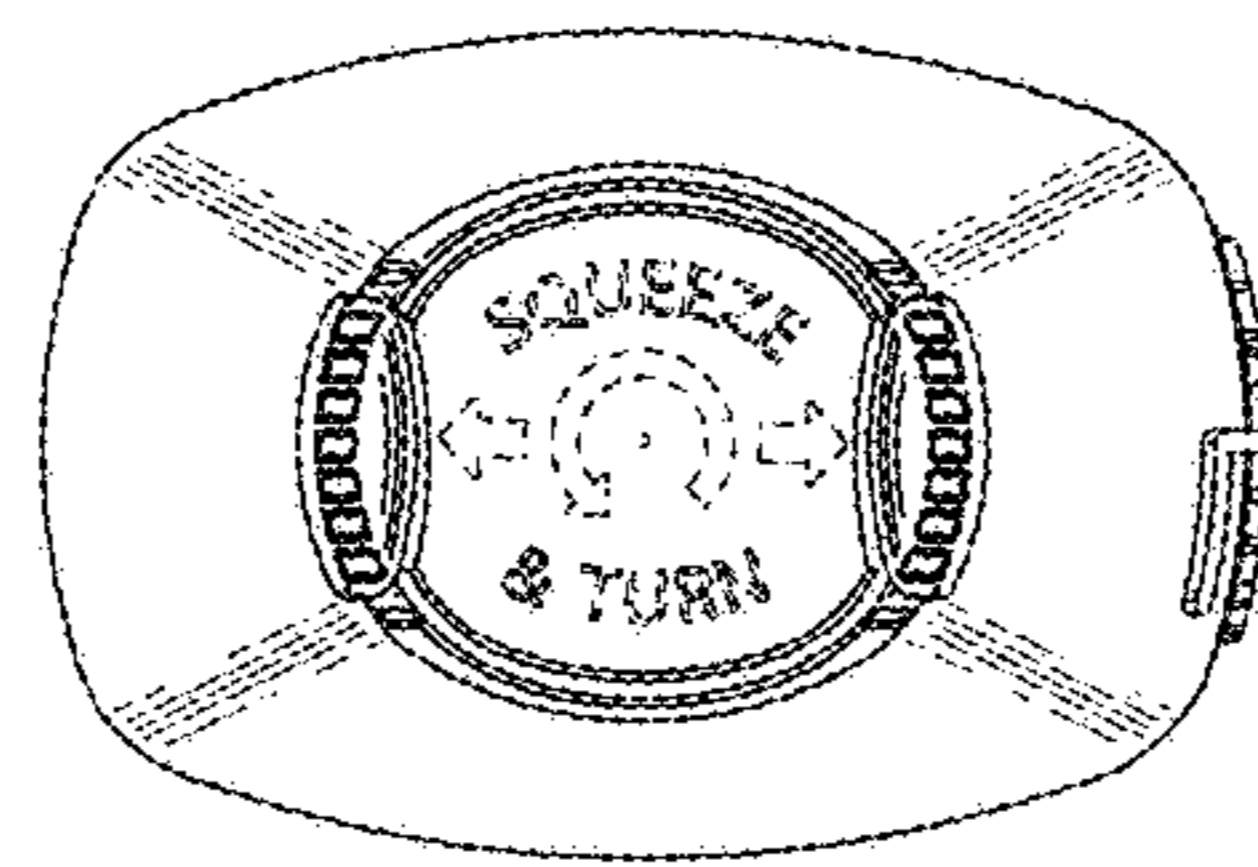


Fig. 23

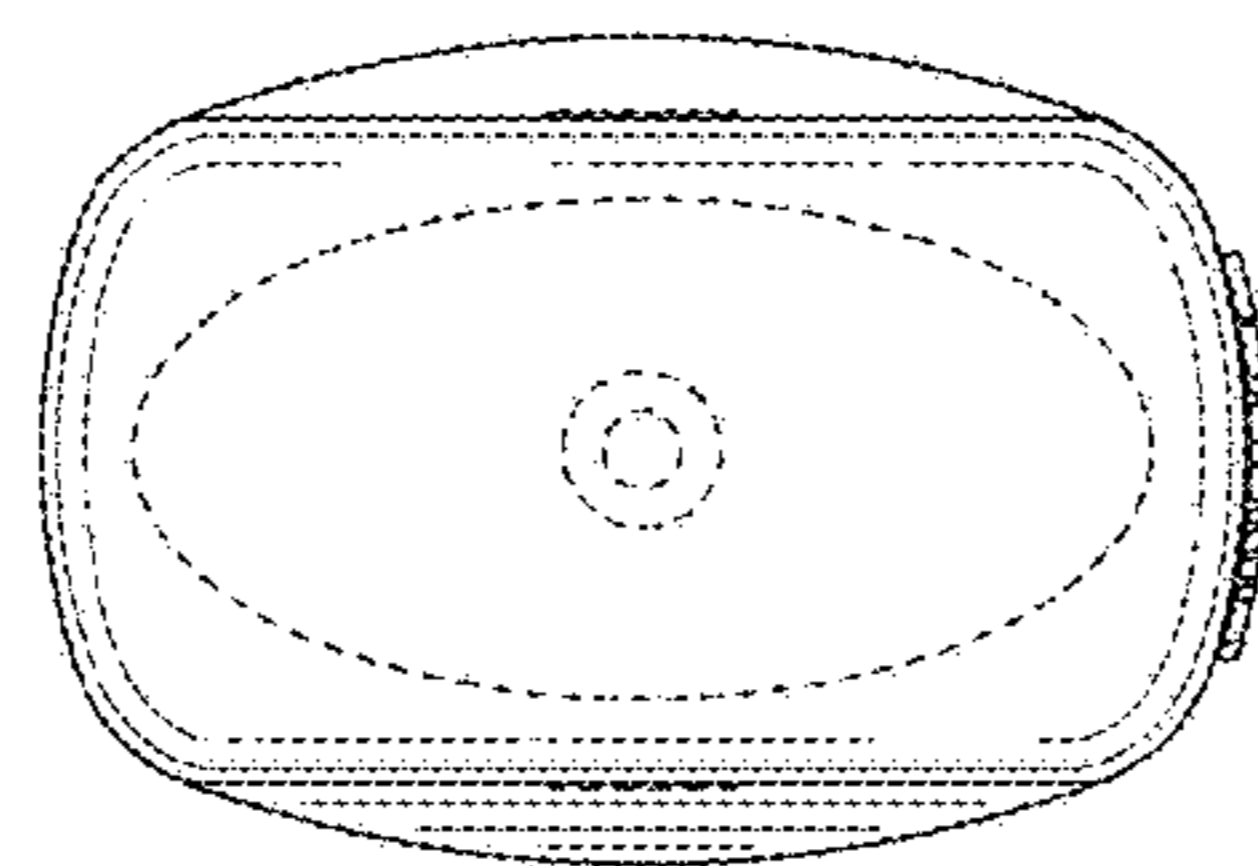


Fig. 24