



US00D840231S

(12) **United States Design Patent** (10) **Patent No.:** **US D840,231 S**
Payne (45) **Date of Patent:** **** Feb. 12, 2019**

(54) **HANDLE**

(71) Applicant: **Thomas Michael Payne**, Tappan, NY (US)

(72) Inventor: **Thomas Michael Payne**, Tappan, NY (US)

(**) Term: **15 Years**

(21) Appl. No.: **29/626,437**

(22) Filed: **Nov. 16, 2017**

Related U.S. Application Data

(63) Continuation-in-part of application No. 14/255,024, filed on Apr. 17, 2014.

(51) **LOC (11) Cl.** **09-07**

(52) **U.S. Cl.**
USPC **D9/455**

(58) **Field of Classification Search**
USPC D9/549, 574, 715, 717-719, 738, 740, D9/742, 746, 763, 778-780, 434, 443, D9/446, 447, 449, 455; D23/260, 269, D23/390; D3/202, 203.1, 203.2, 318; D24/224; D28/76, 82, 88; D7/393-395, D7/399, 317-319, 321, 302, 320, 392.1, D7/396.1, 396.2, 397, 622
CPC B65D 5/46
See application file for complete search history.

(56) **References Cited**

U.S. PATENT DOCUMENTS

D87,722 S * 9/1932 Larsen D7/321
D120,112 S * 4/1940 Schmidt D18/28
D155,438 S * 10/1949 Muller-Munk D7/393
D155,439 S * 10/1949 Muller-Munk D7/393
D159,989 S * 9/1950 Jones D7/393
D170,409 S * 9/1953 Hare D7/533

D191,838 S * 11/1961 Ebstein D7/322
D193,202 S * 7/1962 Eckersberg D7/395
3,114,484 A * 12/1963 Serio A47J 36/14
16/425
D260,471 S * 9/1981 Douglas D7/622
D272,234 S * 1/1984 Hayes D9/434
4,656,566 A 4/1987 Kelley
4,817,810 A 4/1989 Shull
5,083,733 A 1/1992 Marino
D330,662 S * 11/1992 Nuno 294/33
5,325,991 A 7/1994 Williams
5,443,192 A 8/1995 Hodges et al.
5,941,434 A 8/1999 Green
6,557,738 B1 5/2003 Meintzer
D482,933 S * 12/2003 Norris D7/510
6,729,665 B1 5/2004 Posey

(Continued)

Primary Examiner — George D. Kirschbaum

Assistant Examiner — Darcey E Heflin

(74) *Attorney, Agent, or Firm* — Michael E. Zall

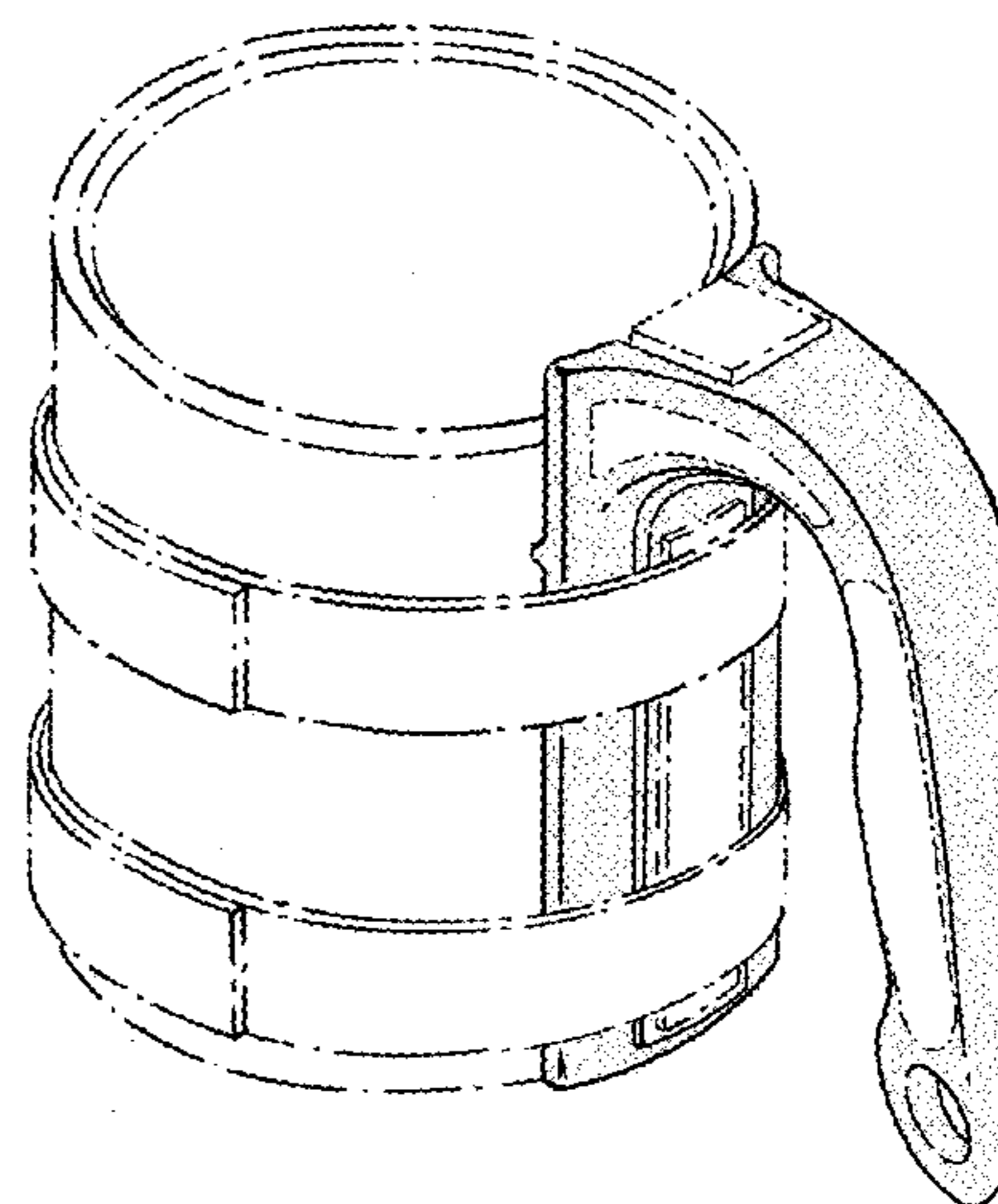
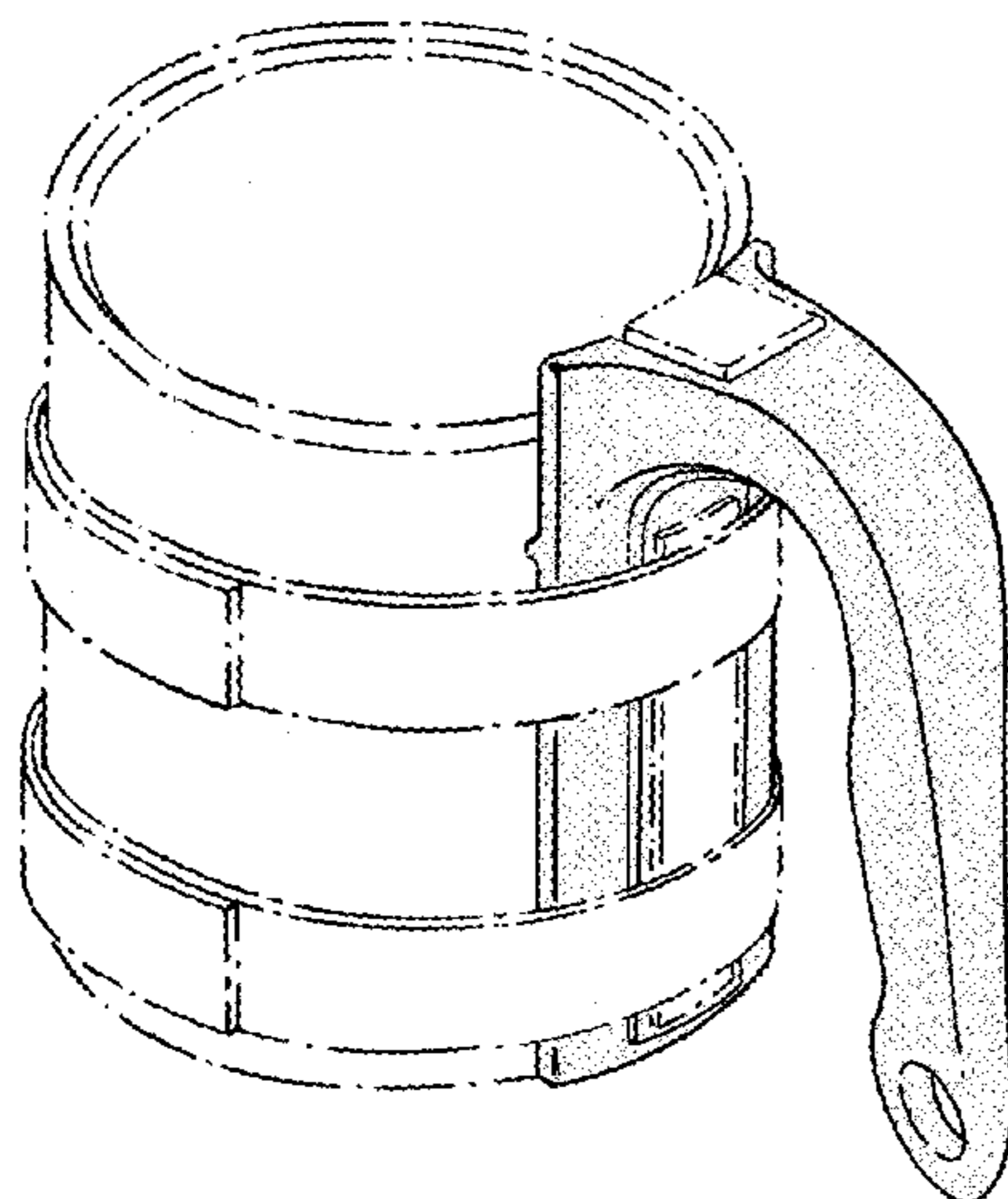
(57) **CLAIM**

I claim the ornamental design for a handle, as shown and described.

DESCRIPTION

FIG. 1 is a perspective view of the handle of this invention as seen from the top, rear and left side of the handle.
FIG. 2 is a left side elevation view of the handle, the right side view being a mirror image.
FIG. 3 is a top plan view of the handle.
FIG. 4 is a front elevation view of the handle.
FIG. 5 is a rear elevation view of the handle.
FIG. 6 is a bottom view of the handle; and,
FIG. 7 is a perspective view of the handle of FIG. 1 of this invention with additional environmental features as seen from the top, rear and left side of the handle.
The broken lines in the figures depict environmental subject matter and do not constitute a part of the claimed design.

1 Claim, 5 Drawing Sheets



(56)

References Cited

U.S. PATENT DOCUMENTS

7,040,678	B1	5/2006	Haakenson	
7,185,864	B2	3/2007	Adams	
D615,366	S *	5/2010	Berezansky	D7/622
D617,194	S *	6/2010	Jones	D9/434
7,730,588	B1	6/2010	Bernier	
D619,419	S *	7/2010	McClellan	D7/509
7,798,380	B2	9/2010	Chekroune	
D625,562	S *	10/2010	McClellan	D7/509
D681,392	S *	5/2013	Dichraff	D7/393
9,107,489	B1	8/2015	Wisniewski	
D760,021	S *	6/2016	Lapsker	D7/394
D765,470	S *	9/2016	Schuler	D7/395
D812,432	S *	3/2018	Seiders	D7/533
2012/0267195	A1	10/2012	Bachorski	

* cited by examiner

FIG. 1

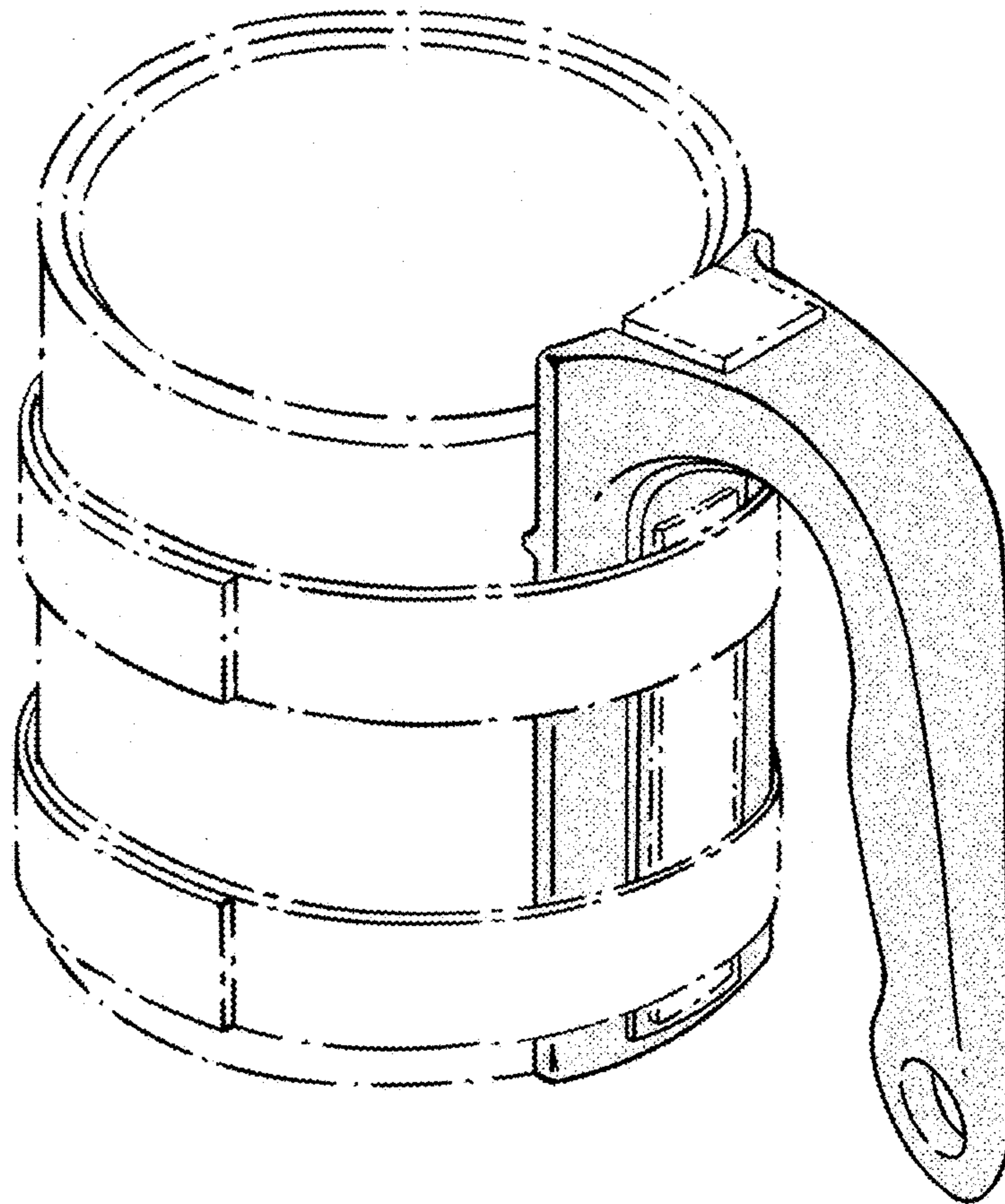


FIG. 2

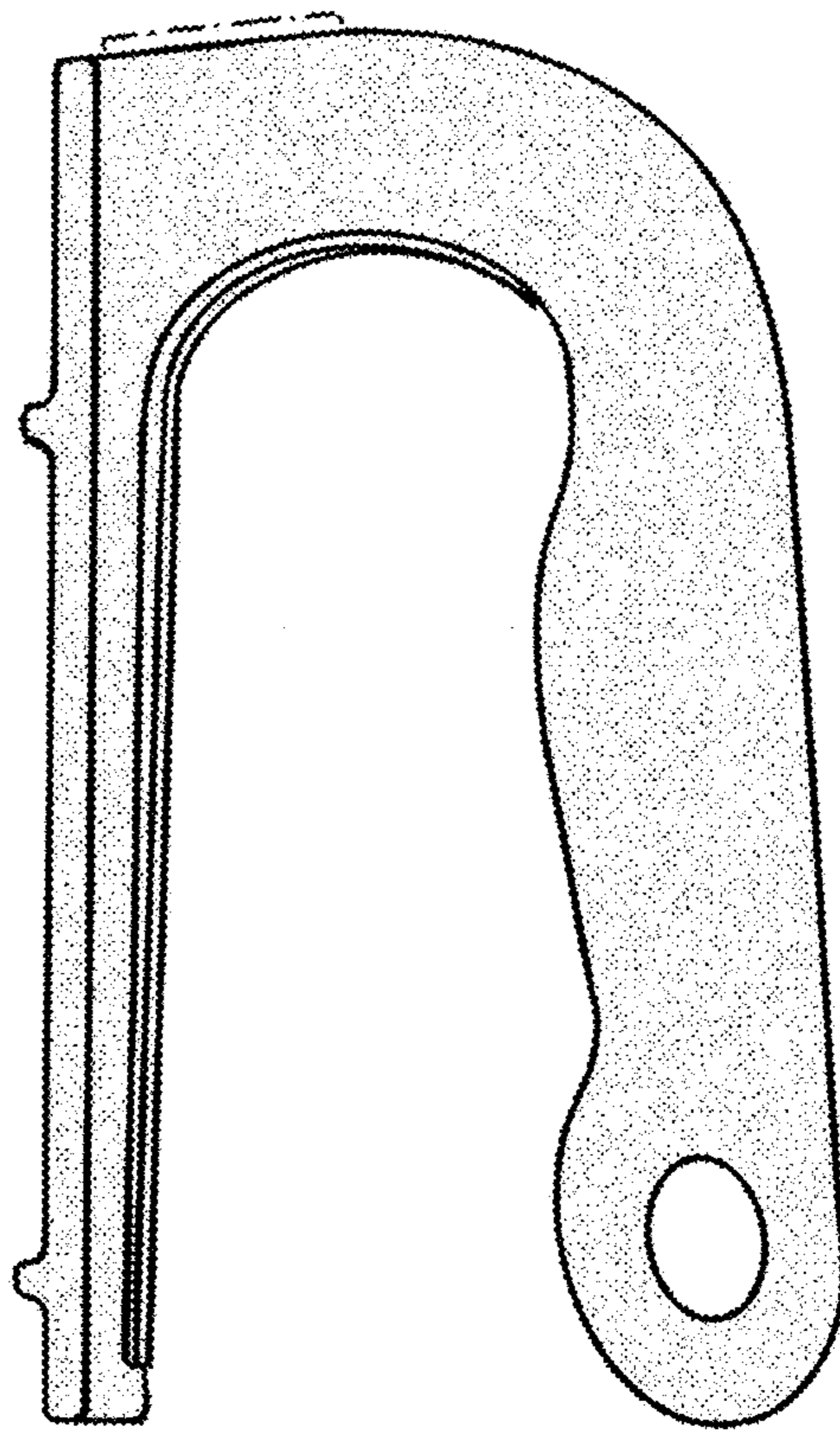


FIG. 3

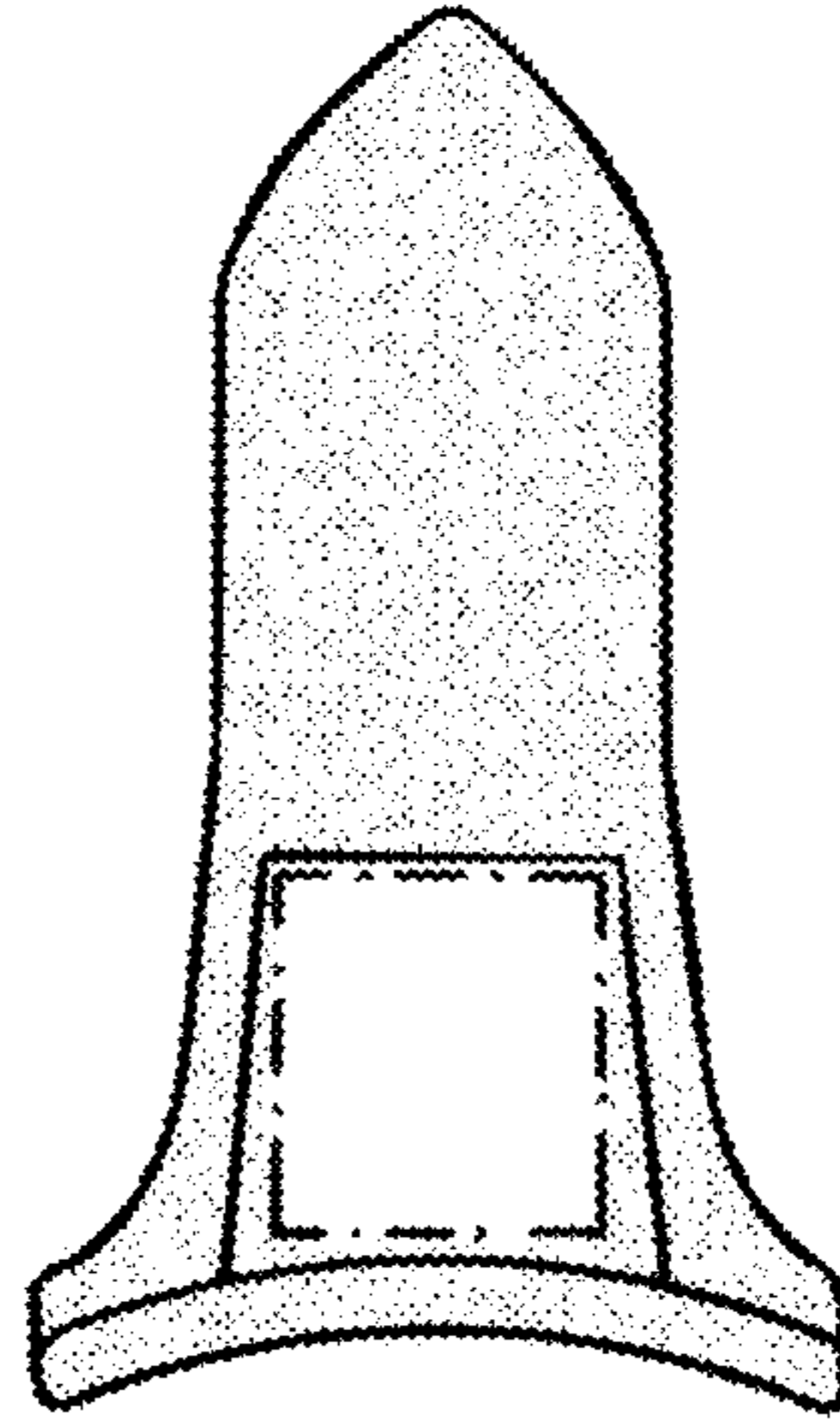


FIG. 4

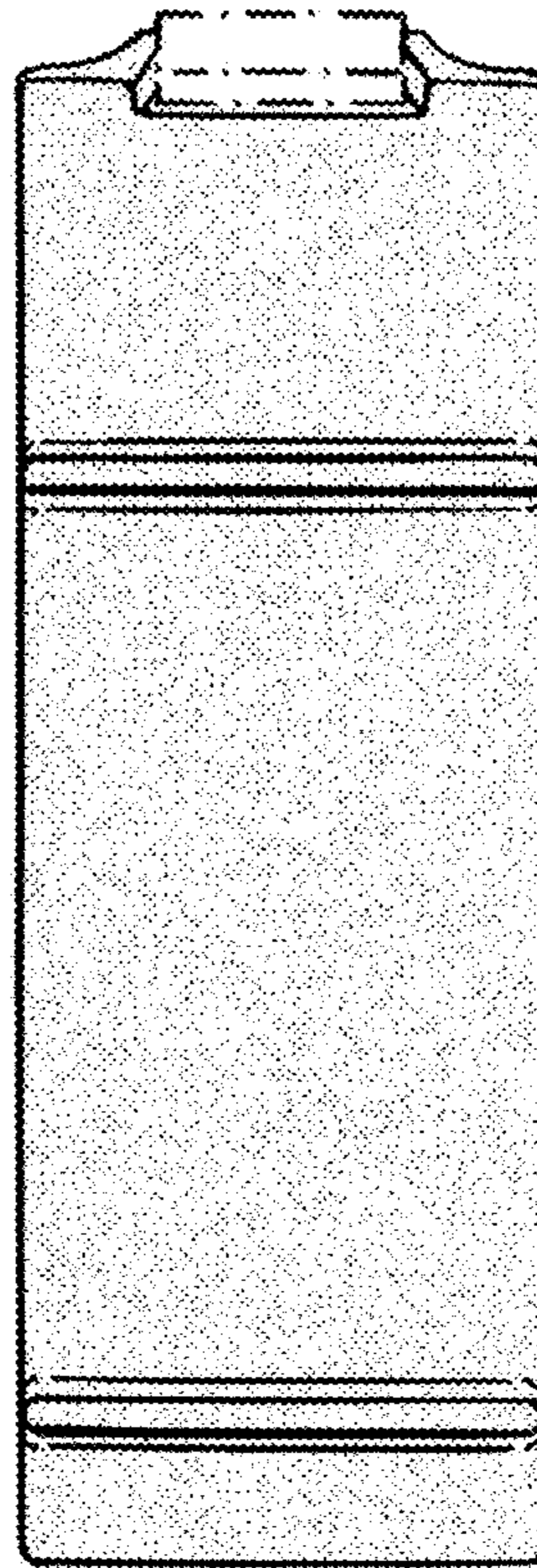


FIG. 5

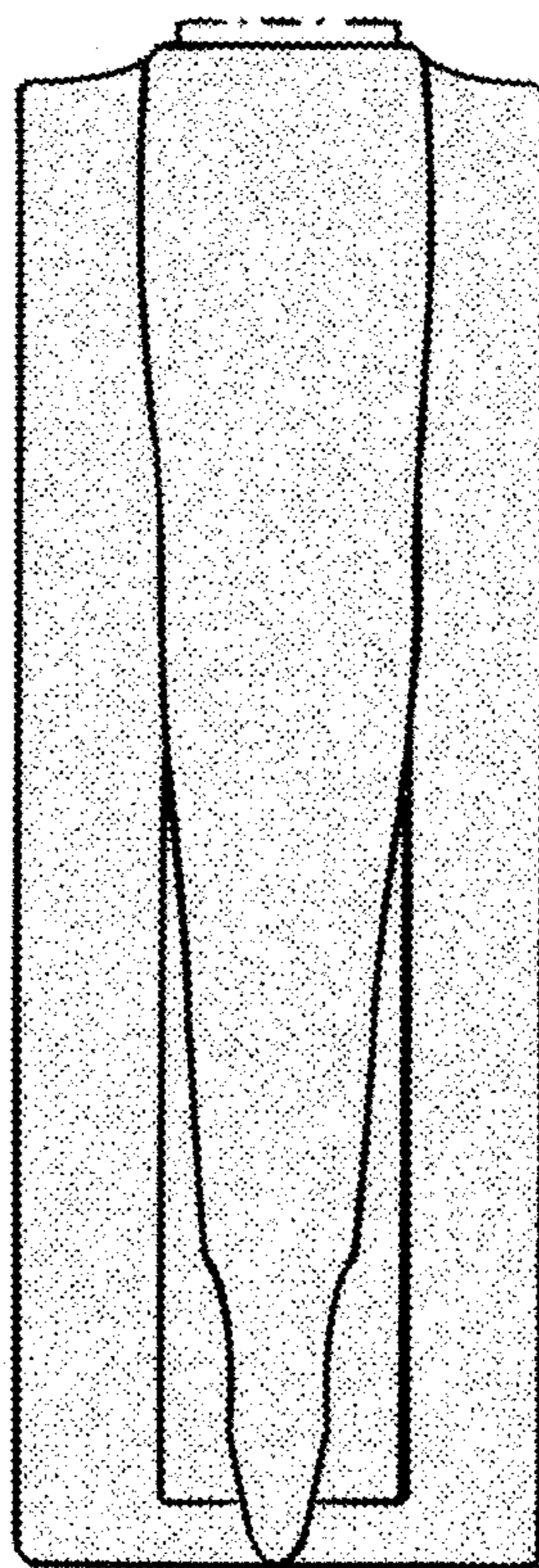


FIG. 6

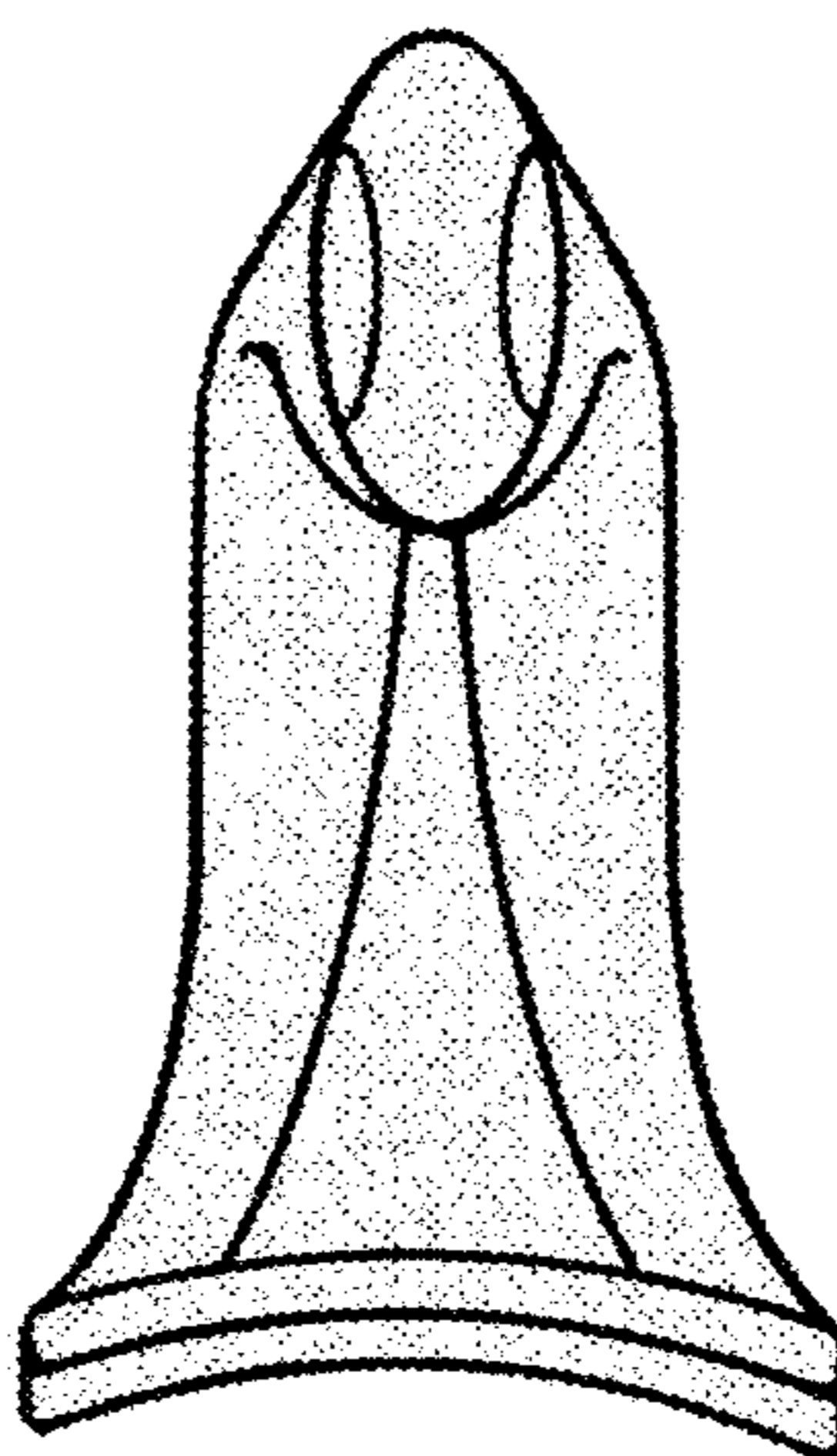


FIG. 7

