



US00D840229S

(12) **United States Design Patent** (10) **Patent No.:** **US D840,229 S**
Abbo et al. (45) **Date of Patent:** **** Feb. 12, 2019**

(54) **DISPENSER SUPPORT FOR DEODORANT OR OTHER TOPICAL PRODUCT**

D683,626 S * 6/2013 Beck D9/448
D686,495 S * 7/2013 Murray D9/435
D732,388 S * 6/2015 Toh D9/445

(Continued)

(71) Applicant: **New Tech World, LLC**, Edmond, OK (US)

(72) Inventors: **Adam Abbo**, Oklahoma City, OK (US); **Henry Nguyen Vo**, Edmond, OK (US)

(73) Assignee: **New Tech World, LLC**, Edmond, OK (US)

(**) Term: **15 Years**

(21) Appl. No.: **29/606,274**

(22) Filed: **Jun. 2, 2017**

(51) **LOC (11) Cl.** **09-07**

(52) **U.S. Cl.**
USPC **D9/447**

(58) **Field of Classification Search**

USPC D3/318; D7/213, 300, 317, 387, 397, D7/398, 401.1, 590; D8/300, 310, 312, D8/321; D9/434-436, 439, 440, 442, D9/443, 445, 447, 448, 452-454, 499; D23/208, 260

CPC B65D 77/286; B65D 51/002; B65D 25/40
See application file for complete search history.

(56) **References Cited**

U.S. PATENT DOCUMENTS

5,800,086 A * 9/1998 Piscopo A45D 40/02 401/82
D476,888 S * 7/2003 Poisson D9/435
D477,221 S * 7/2003 Poisson D9/435
D478,004 S * 8/2003 Cummings D9/435
D612,727 S * 3/2010 Glynn D9/435
D650,284 S * 12/2011 Schriener D9/449
D661,185 S * 6/2012 Battat D9/435
D682,688 S * 5/2013 Murray D32/32

OTHER PUBLICATIONS

Amazon. Clear Plastic Deodorant Containers. Apr. 28, 2015 [earliest online date], [site visited Jan. 29, 2018]. Available from Internet, <URL:https://www.amazon.com/30-Clear-Plastic-Deodorant-Containers/dp/B00U0JRGPS>. (Year: 2015).*

(Continued)

Primary Examiner — George D. Kirschbaum

Assistant Examiner — Darcey E Heflin

(74) *Attorney, Agent, or Firm* — Hall Estill Attorneys at Law

(57) **CLAIM**

The ornamental design for a dispenser support for deodorant or other topical product, as shown and described.

DESCRIPTION

FIG. 1 is an isometric view of a dispenser support for deodorant or other topical product showing our design in an illustrative environment.

FIG. 2 is another isometric view of the design.

FIG. 3 is a top plan view of the design.

FIG. 4 is a bottom plan view of the design.

FIG. 5 is a front side view of the design.

FIG. 6 is a rear side view of the design.

FIG. 7 is a left end view of the design.

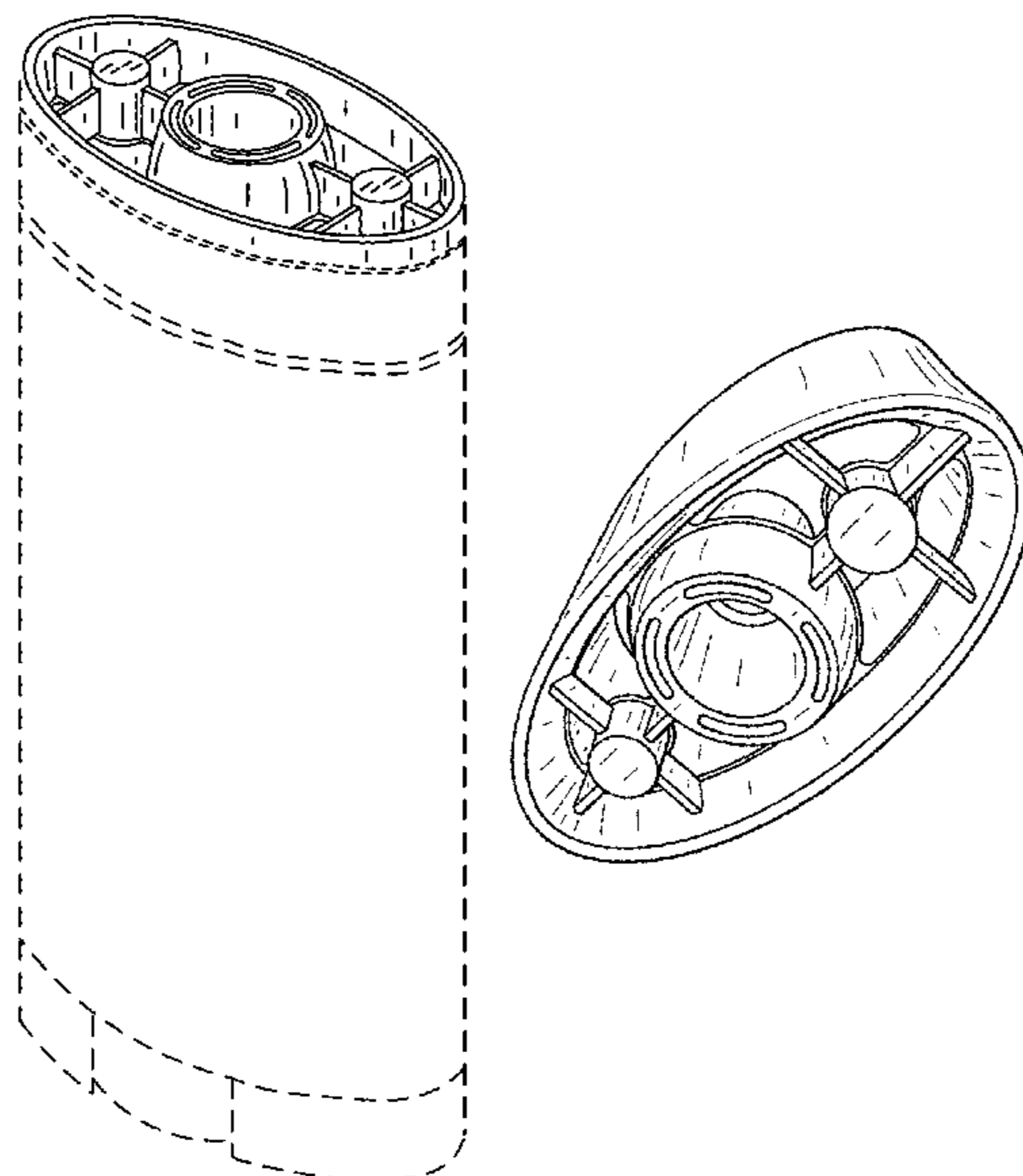
FIG. 8 is a right end view of the design.

FIG. 9 is another isometric view of upper portions of the design; and,

FIG. 10 is another isometric view of lower portions of the design.

The broken lines in these drawings serve to illustrate the environment in which the claimed design is associated. The broken lines form no part of the claimed design.

1 Claim, 6 Drawing Sheets



(56)

References Cited

U.S. PATENT DOCUMENTS

D735,038 S * 7/2015 Tamarindo D9/454
D741,173 S * 10/2015 Toh D9/444
D751,394 S * 3/2016 Chartier D9/440
D767,389 S * 9/2016 Toh D9/444

OTHER PUBLICATIONS

Southern Zoomer. Teensery Plastic Clear 15 ml Empty Deodorant Container Lip Balm Tubes Lip Gloss Container. 2018 [earliest online date], [site visited Jan. 29, 2018]. URL:<<http://www.southernzoomer.com/teensery-plastic-clear-15ml-empty-deodorant-container-lip-balm-tubes-lip-gloss-container-5/>>. (Year: 2018).*

Cnet.com. A 'smart' deodorant applicator: Armpits, meet the future. Oct. 29, 2014 [earliest online date], [site visited Jan. 29, 2018]. Available from Internet, <URL:<https://www.cnet.com/news/trump-officials-reportedly-consider-nationalized-5g-network/>>. (Year: 2014).*

* cited by examiner

FIG. 1

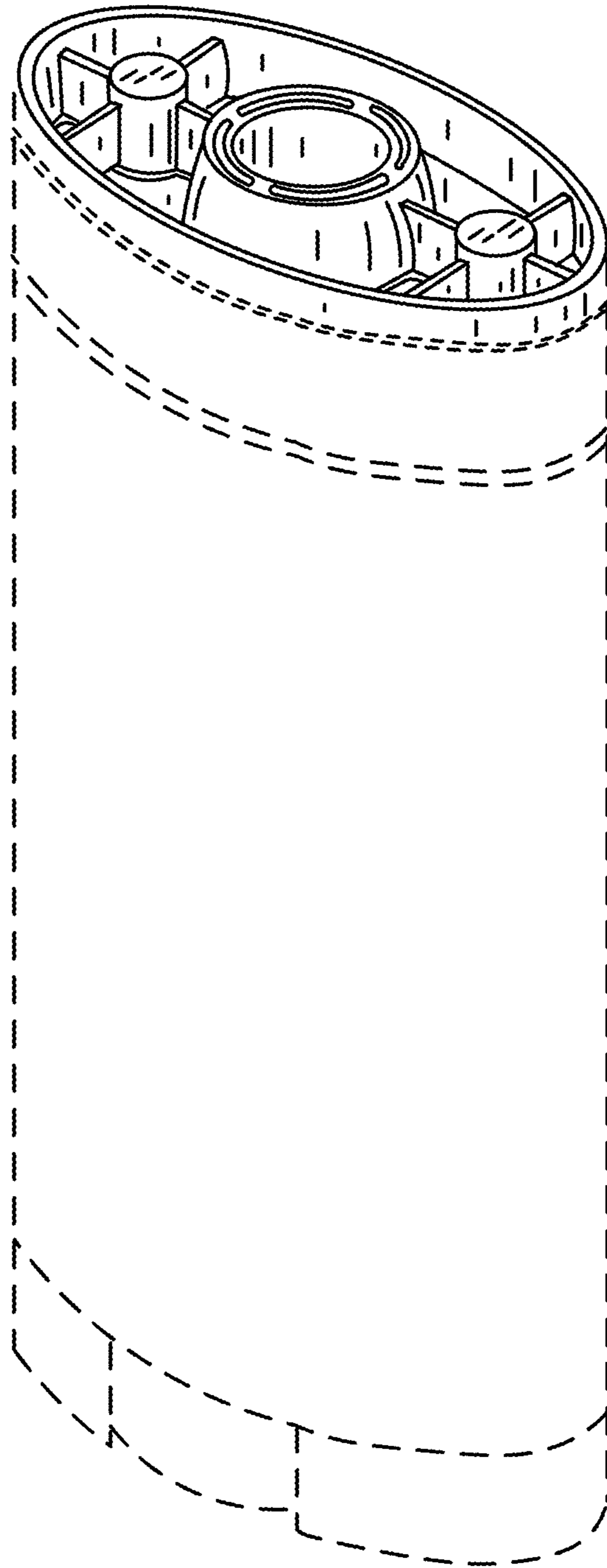


FIG. 2

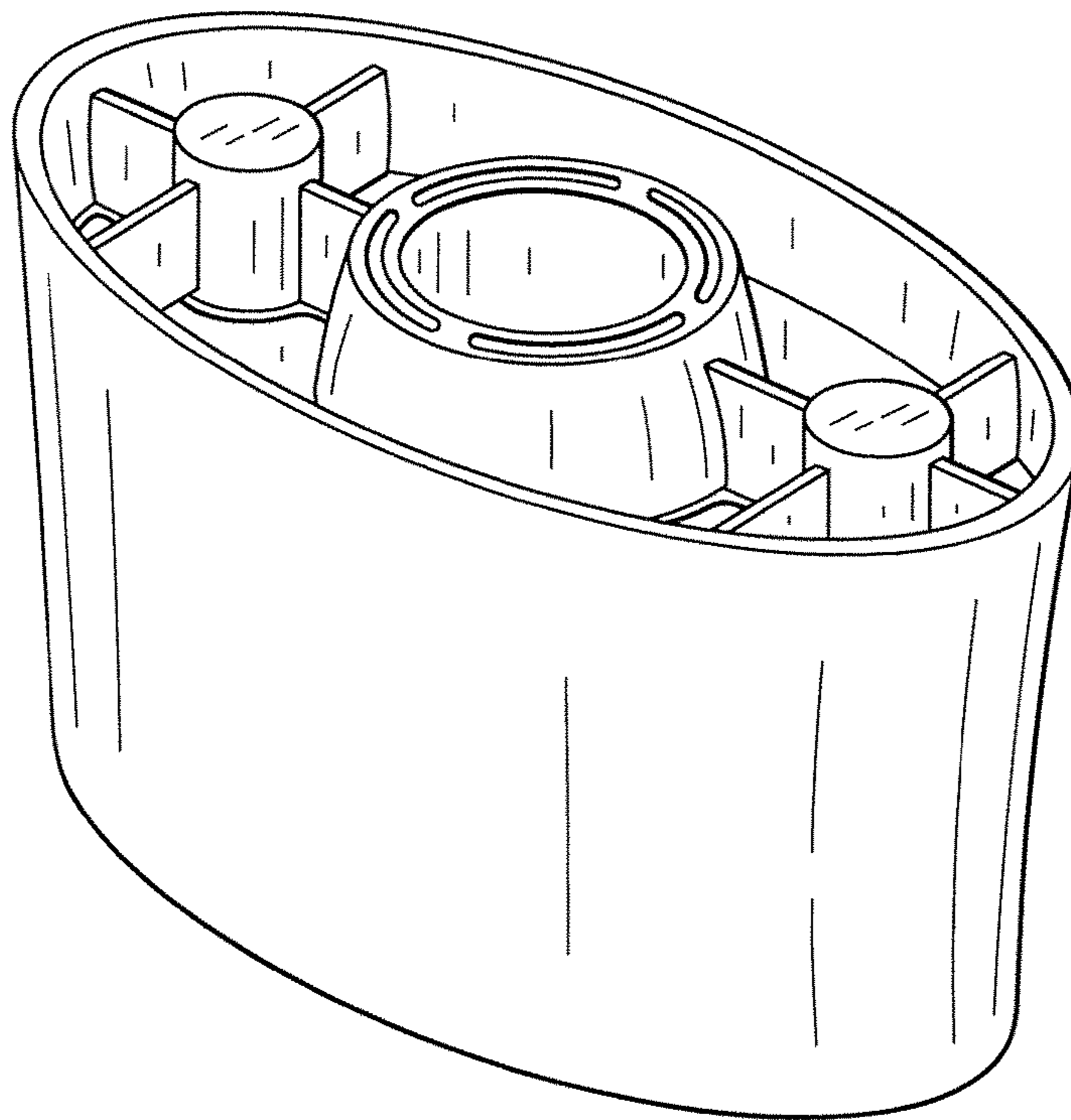


FIG. 3

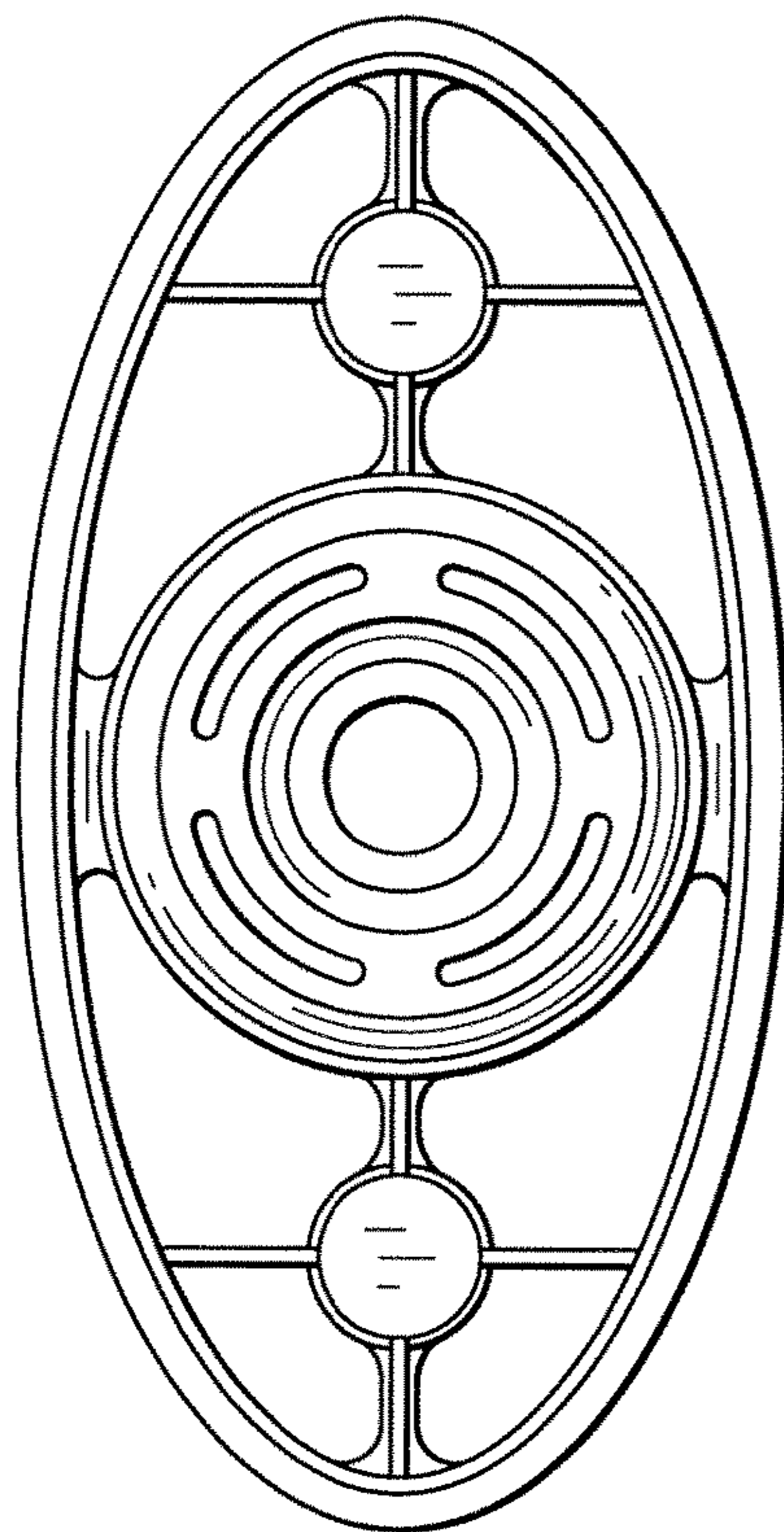


FIG. 4

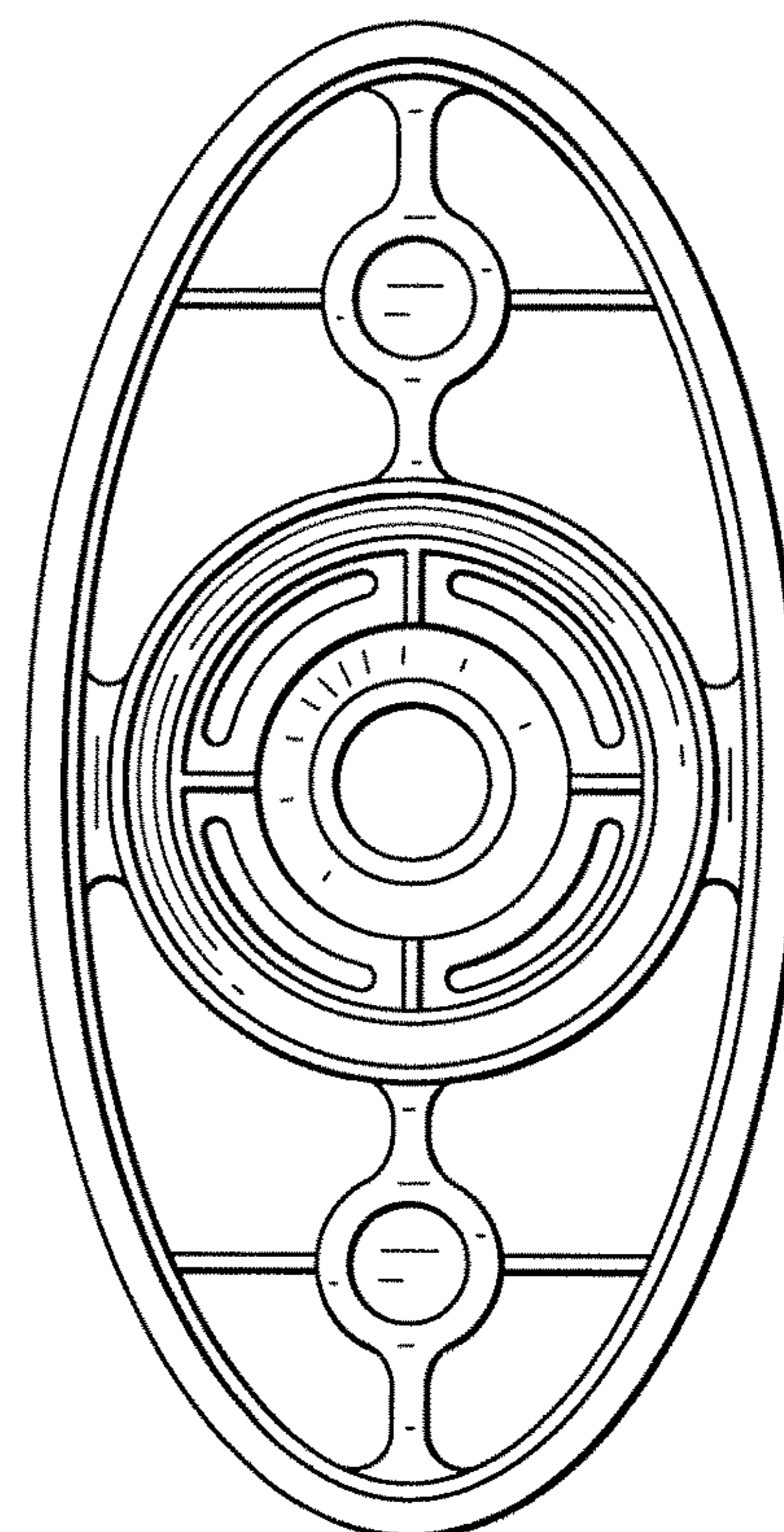


FIG. 5

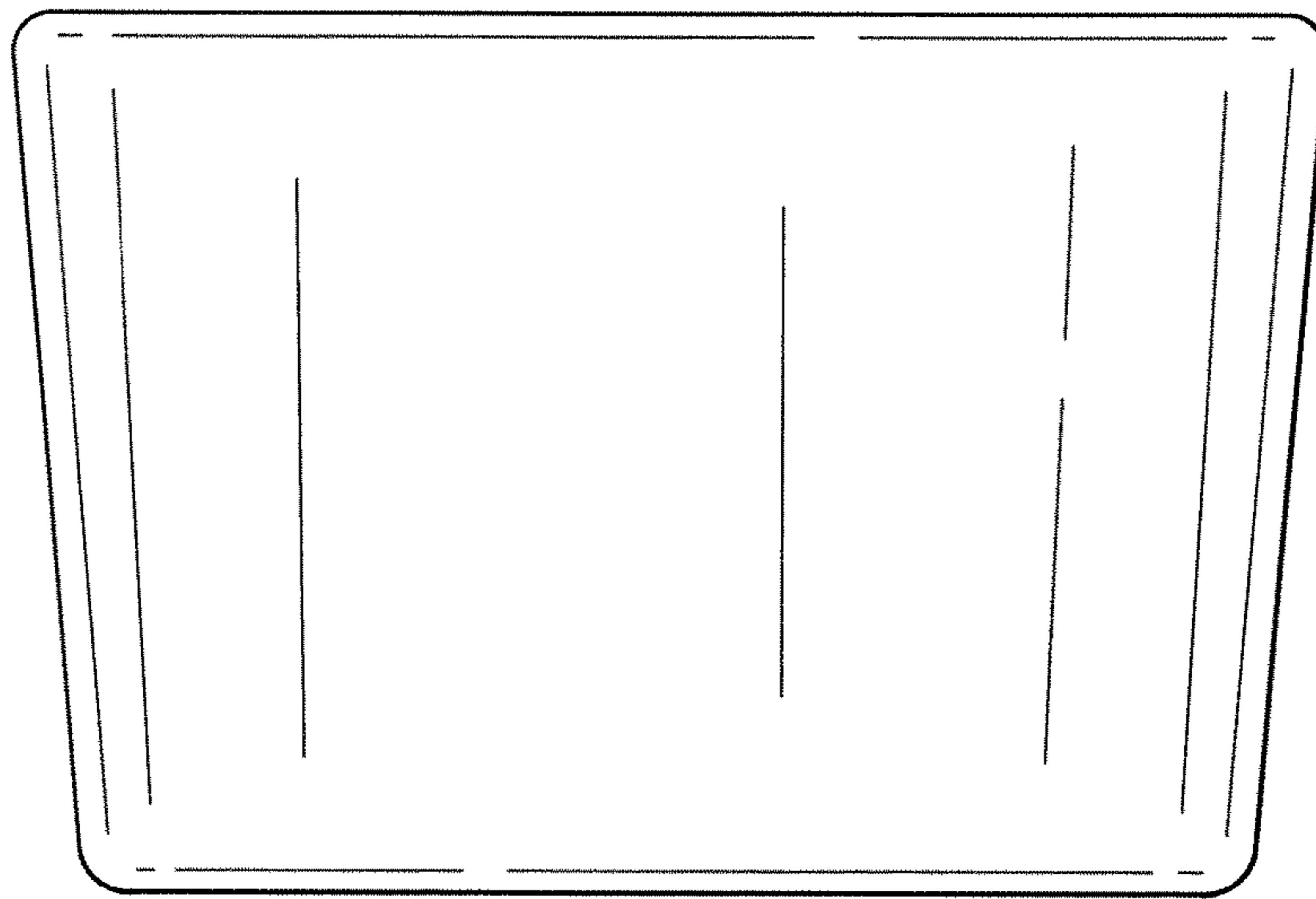


FIG. 6

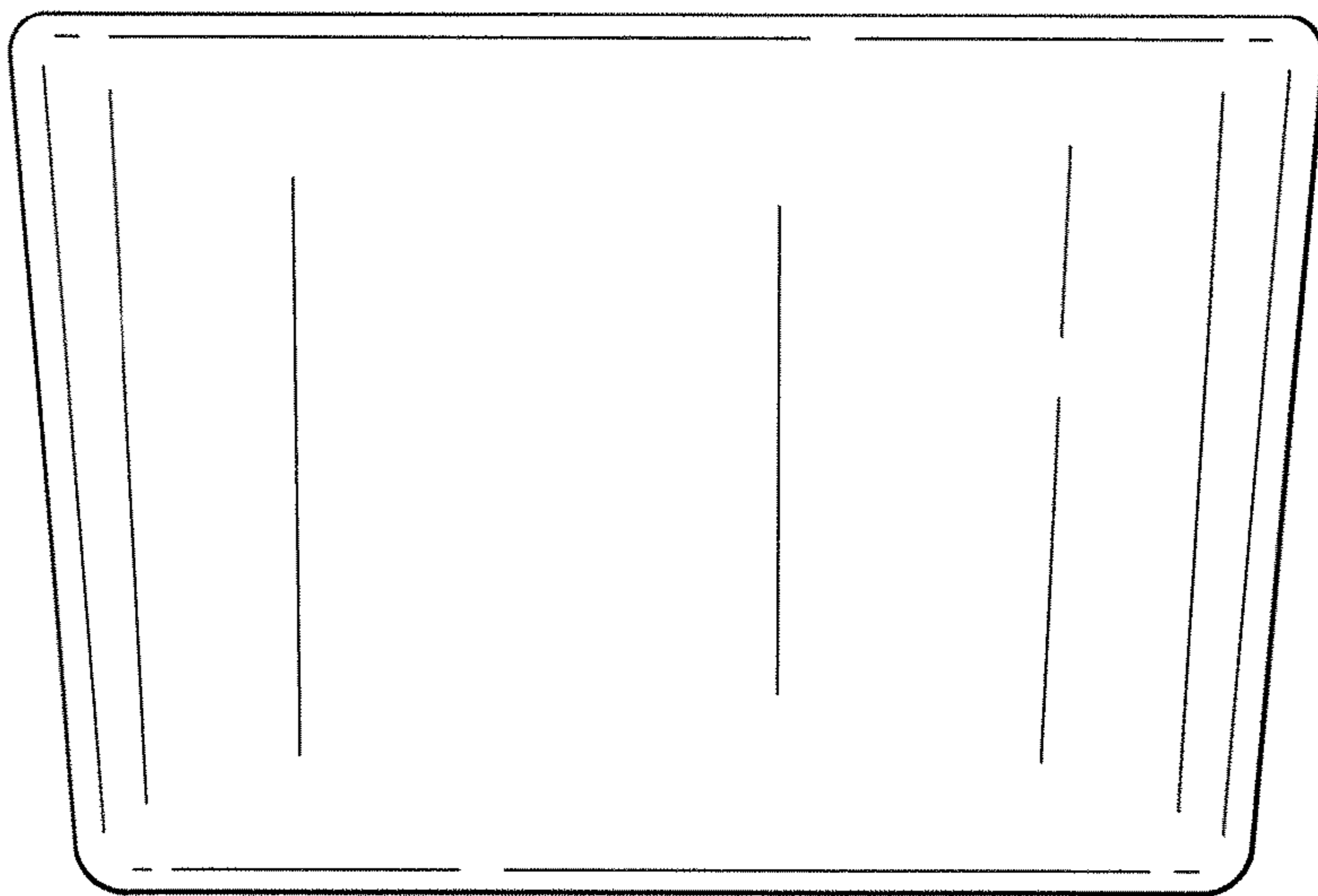


FIG. 7

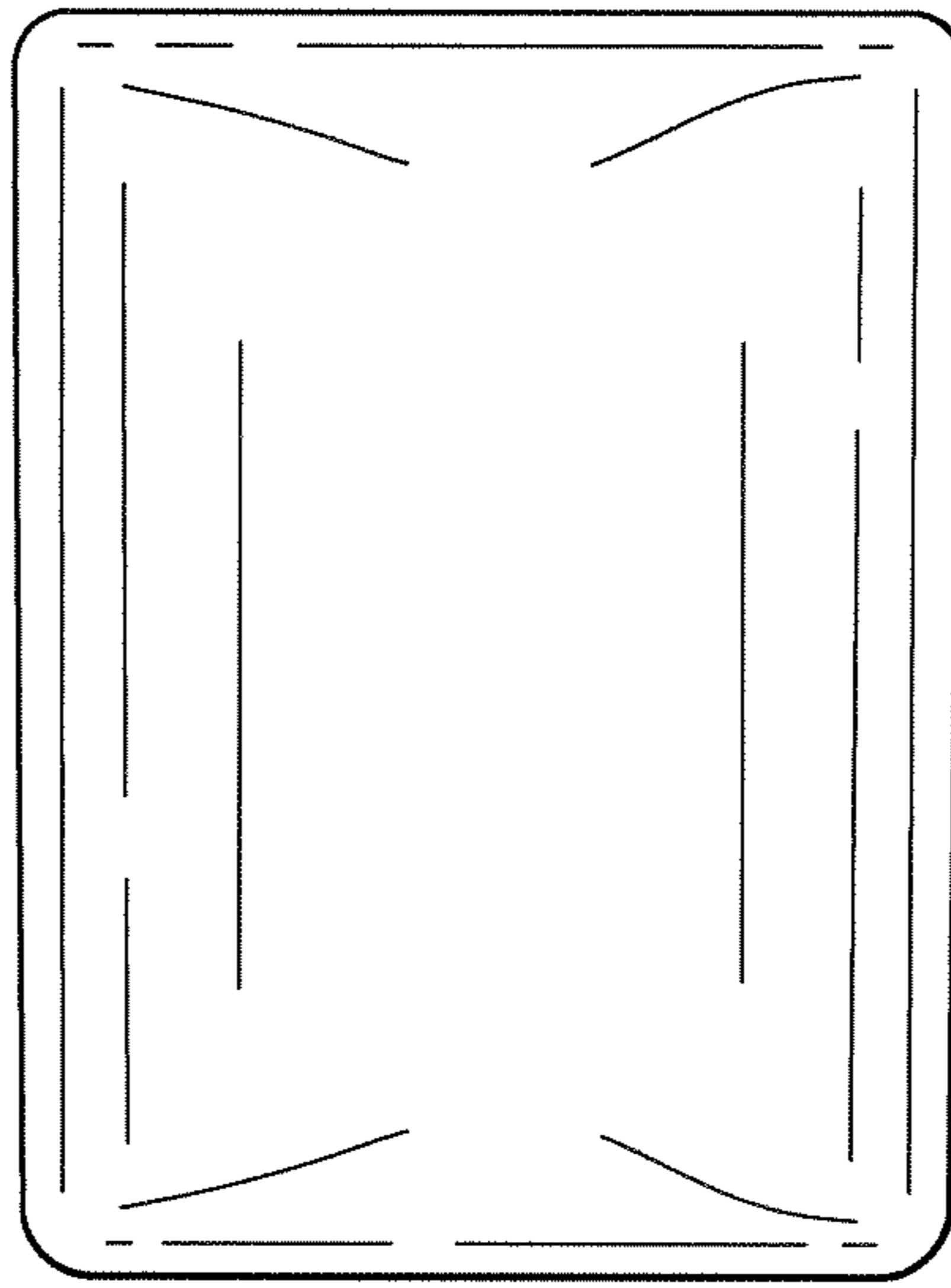


FIG. 8

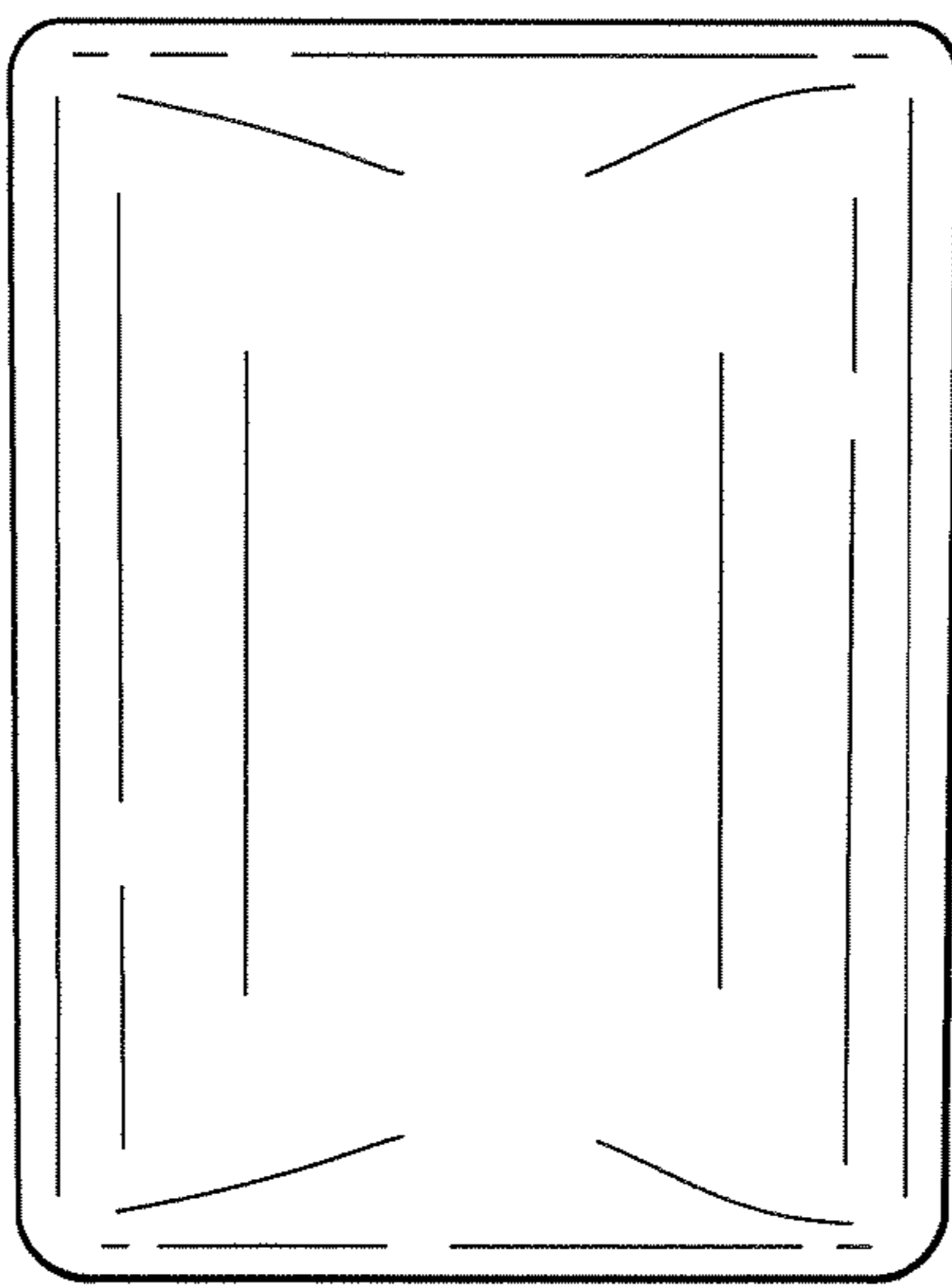


FIG. 9

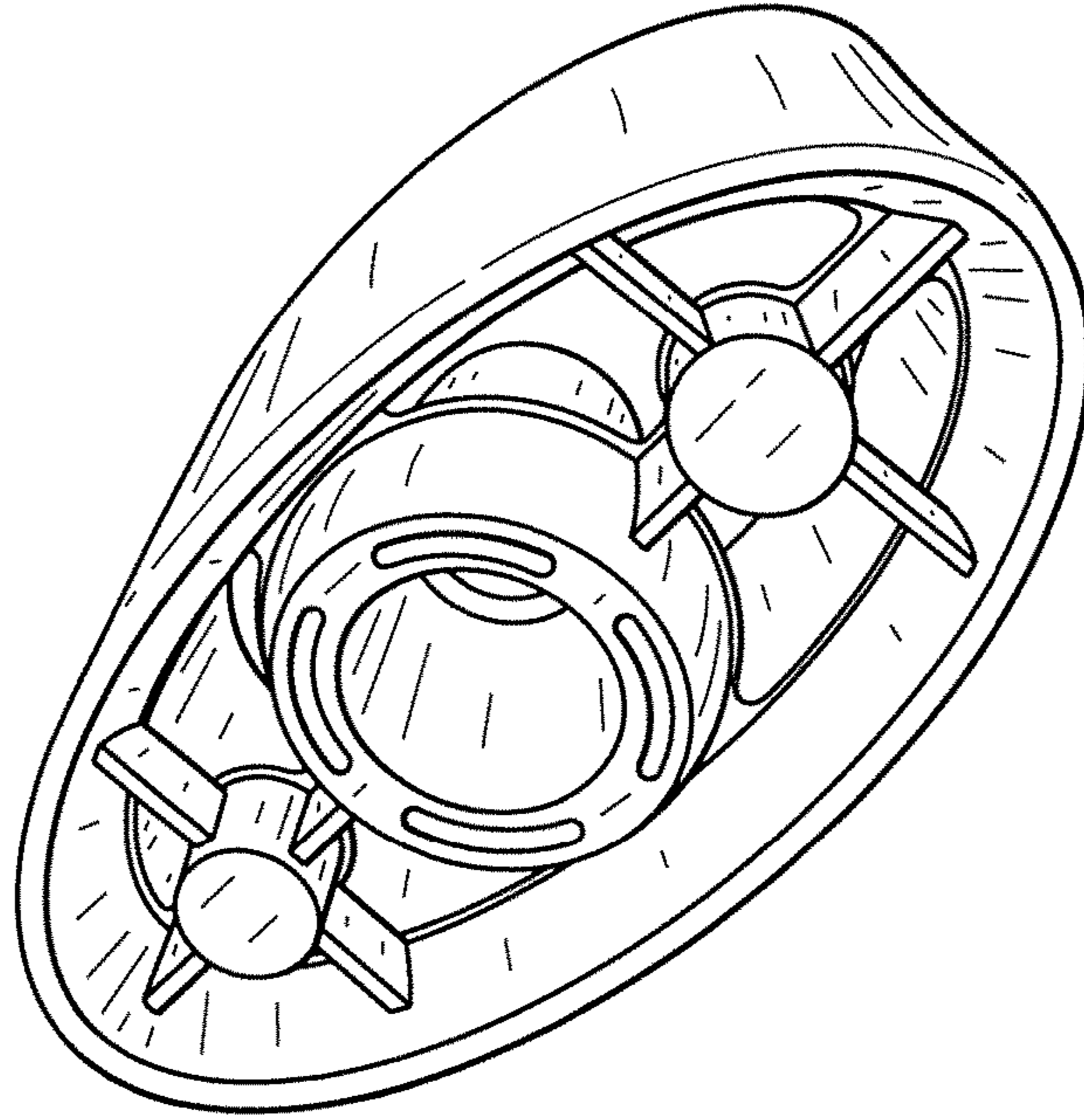


FIG. 10

