

US00D840228S

(12) **United States Design Patent**
Ksiazek et al.

(10) **Patent No.:** **US D840,228 S**

(45) **Date of Patent:** **** Feb. 12, 2019**

(54) **BOTTLE CAP**

(71) Applicant: **O2Cool, LLC**, Chicago, IL (US)

(72) Inventors: **Michael Ksiazek**, Burr Ridge, IL (US);
Eric F. Junkel, Mount Prospect, IL (US); **Tom Zeng**, Shenzhen (CN)

(73) Assignee: **O2COOL, LLC**, Chicago, IL (US)

(**) Term: **15 Years**

(21) Appl. No.: **29/600,077**

(22) Filed: **Apr. 10, 2017**

(51) **LOC (11) Cl.** **09-07**

(52) **U.S. Cl.**
USPC **D9/447**

(58) **Field of Classification Search**
USPC D7/300, 300.1, 303, 316, 323, 387, 392,
D7/392.1, 396.2, 397, 398, 509–511, 566;
D9/428, 430, 431, 434–436, 438–440,
D9/443–447, 448–450, 452–454, 499,
D9/549, 574, 715, 717–719, 738, 740,
D9/742, 746, 763, 778–780; D23/260,
D23/269, 390; D3/202, 203.1, 203.2,
D3/318; D24/224; D28/76, 82, 88
CPC B65D 47/06; B65D 51/1688
See application file for complete search history.

(56) **References Cited**

U.S. PATENT DOCUMENTS

D339,503 S *	9/1993	Callaway	D7/510
D369,943 S *	5/1996	Dark	D7/392.1
D372,426 S *	8/1996	Garnett	D7/392.1
D373,928 S *	9/1996	Green	D7/392.1
D431,158 S *	9/2000	Schwab	D7/510
D513,916 S *	1/2006	Namee	D7/300.1
D574,237 S *	8/2008	Yates, III	D9/447
D586,183 S *	2/2009	Junkel	D7/511
D629,644 S *	12/2010	Zhuang	D7/392.1
D630,094 S *	1/2011	Maxwell	D9/447

D685,606 S *	7/2013	Keys	D7/392.1
D702,474 S *	4/2014	Scherer	D7/300.1
D725,436 S *	3/2015	Miller	D7/396.2
D747,137 S *	1/2016	Hakim	D7/396.2

(Continued)

OTHER PUBLICATIONS

O2COOL. All Mist 'N Sip. 2018 [earliest online date], [site visited Apr. 12, 2018]. Available from Internet, <URL:https://www.o2-cool.com/View-All-2>. (Year: 2018).*

(Continued)

Primary Examiner — George D. Kirschbaum

Assistant Examiner — Darcey E Heflin

(74) *Attorney, Agent, or Firm* — Thompson Coburn LLP

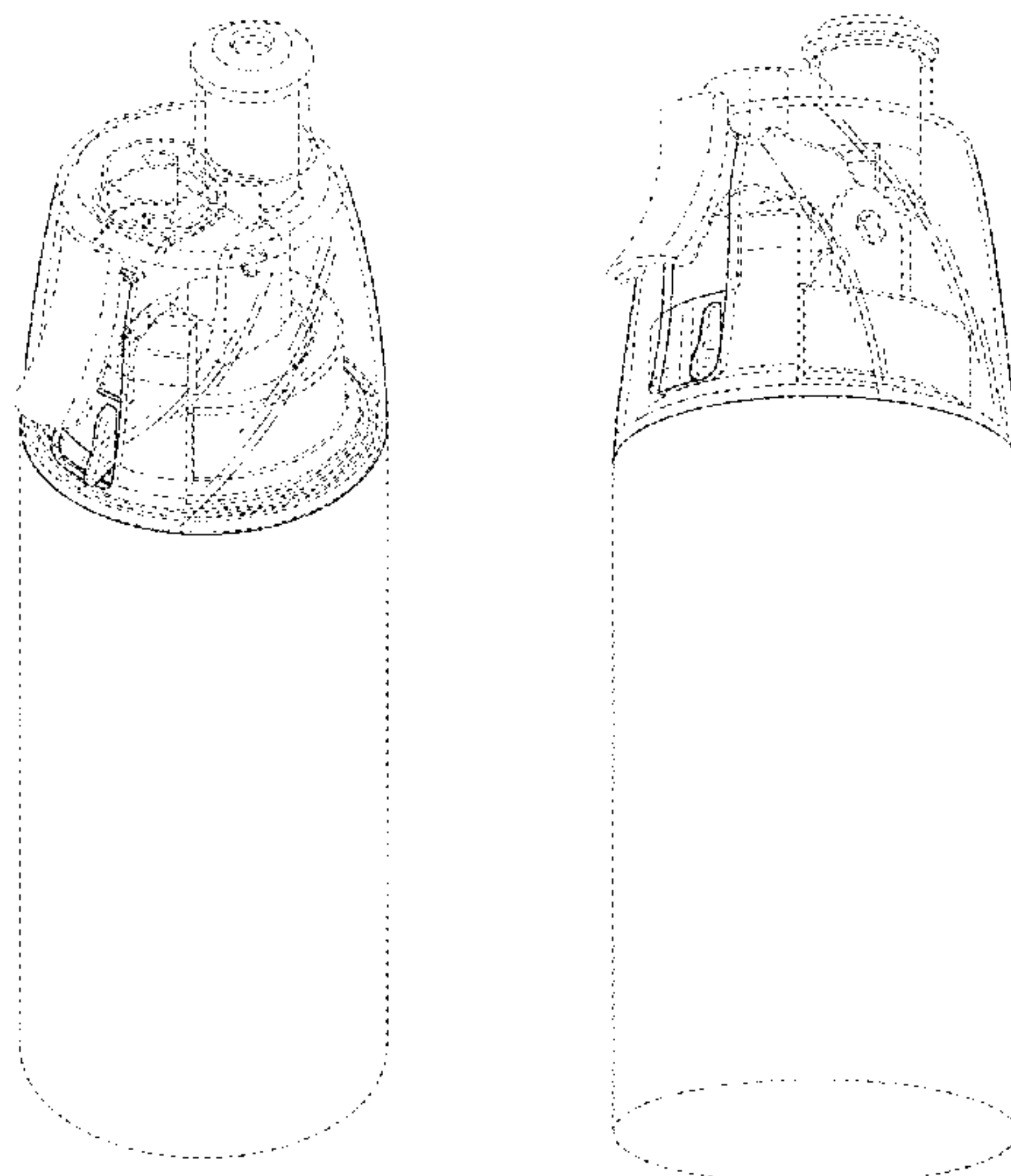
(57) **CLAIM**

The ornamental design for a bottle cap, as shown and described.

DESCRIPTION

FIG. 1 is a perspective view of the a bottle cap of our new design in a first configuration;
FIG. 2 is another perspective of the bottle cap shown in FIG. 1;
FIG. 3 is a front view of the bottle cap shown in FIG. 1;
FIG. 4 is a left side view of the bottle cap shown in FIG. 1;
FIG. 5 is a right side view of the bottle cap shown in FIG. 1;
FIG. 6 is a perspective view of the bottle cap in a second configuration;
FIG. 7 is a another perspective view of the bottle cap shown in FIG. 6; and,
FIG. 8 is a front view of the bottle cap shown in FIG. 6.
The broken lines immediately adjacent the shaded areas represent the bounds of the claimed design while all other broken lines are directed to environment and form no part of the claimed design.

1 Claim, 8 Drawing Sheets



(56)

References Cited

U.S. PATENT DOCUMENTS

D758,790 S * 6/2016 Boroski D7/392.1
D801,810 S * 11/2017 Engel D9/436
D802,360 S * 11/2017 Rummel D7/392.1

OTHER PUBLICATIONS

YouTube. o2COOL Mist Water Bottle. Jul. 10, 2014 [earliest online date], [site visited Apr. 12, 2018]. Available from Internet, <URL:https://www.youtube.com/watch?v=r-NgDKpDhuM>. (Year: 2014).*

* cited by examiner

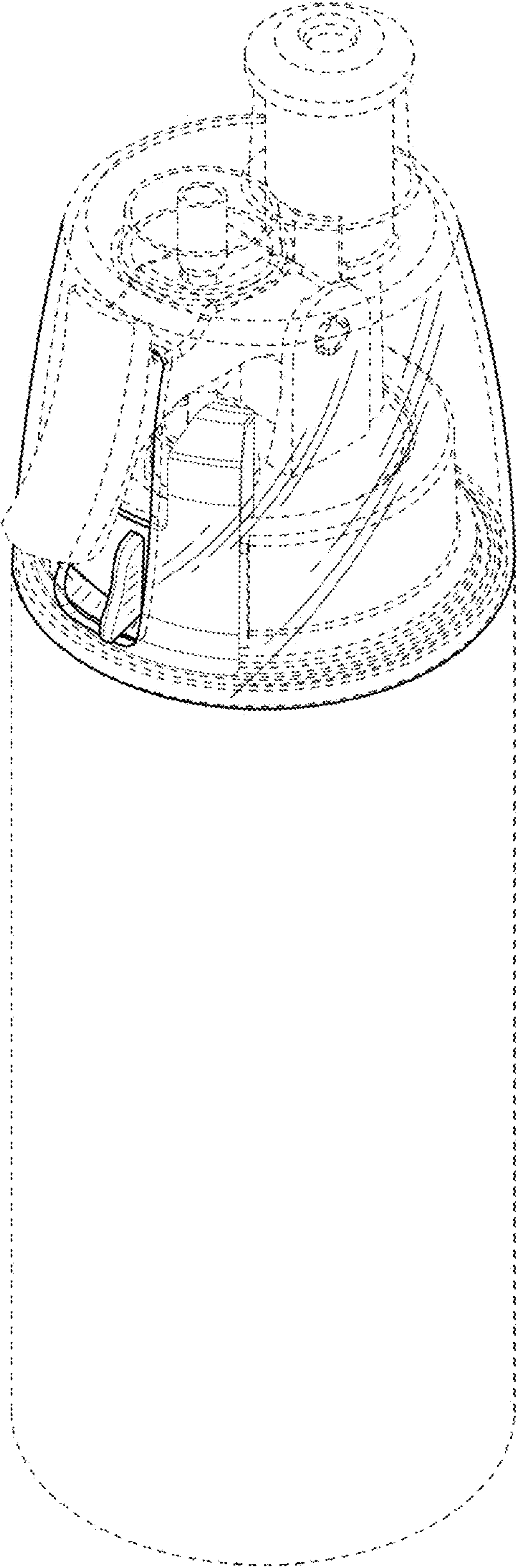


FIG. 1

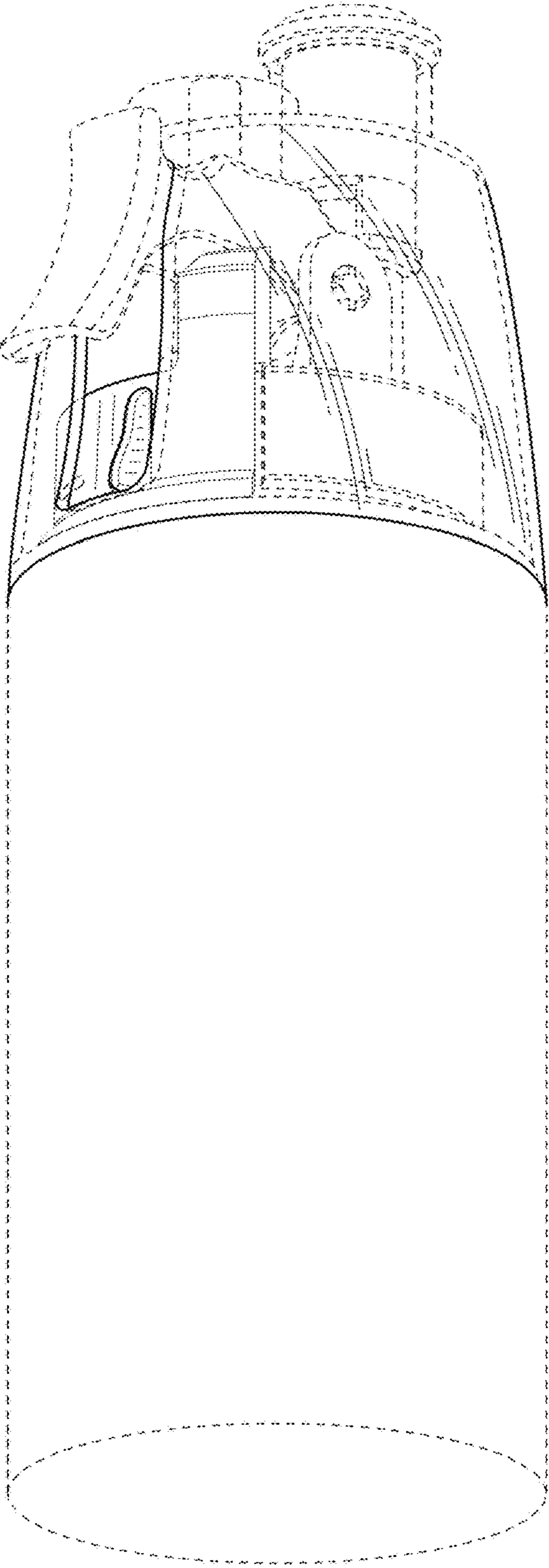


FIG. 2

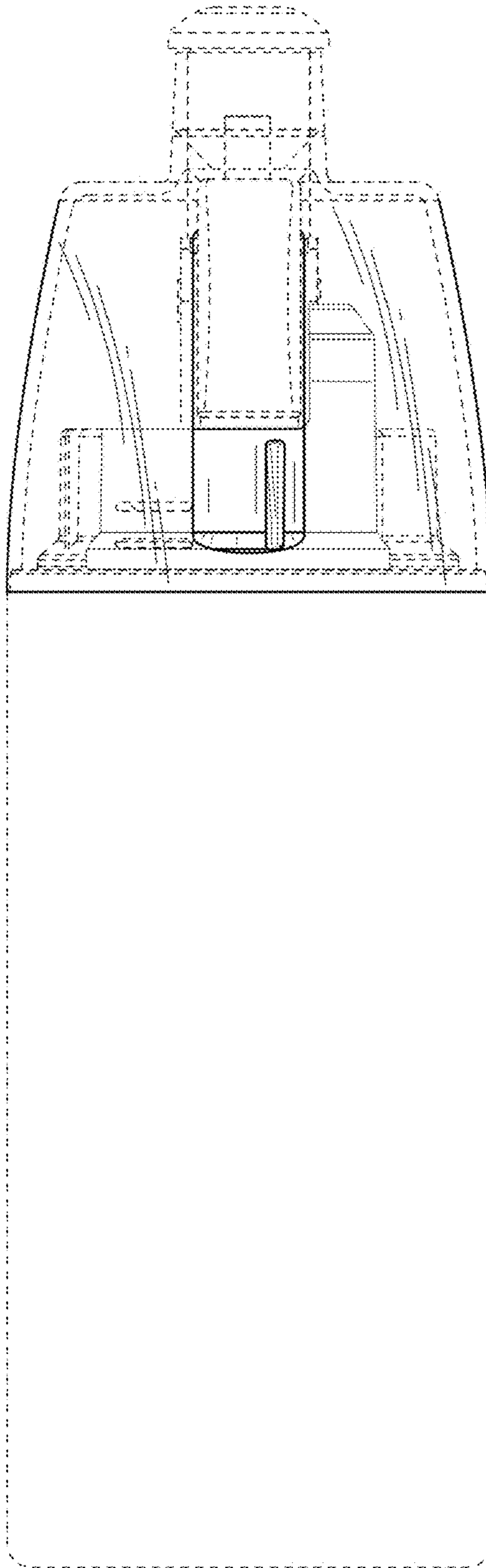


FIG. 3

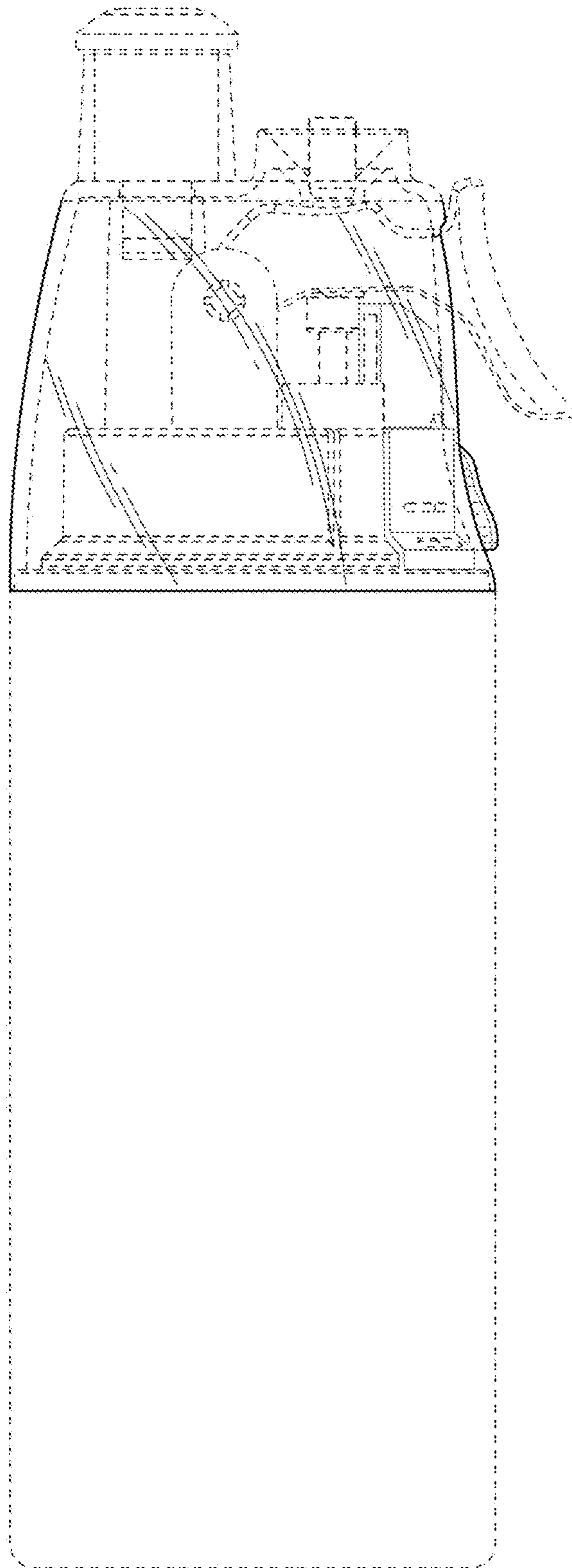


FIG. 4

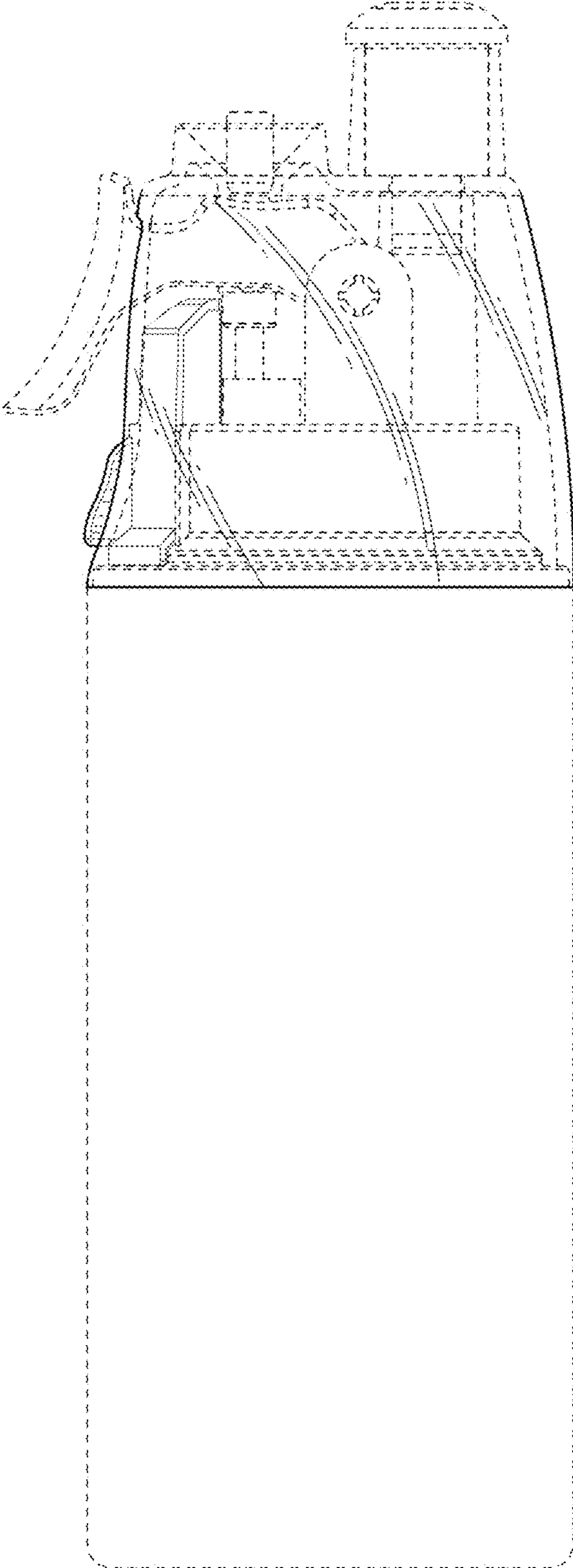


FIG. 5

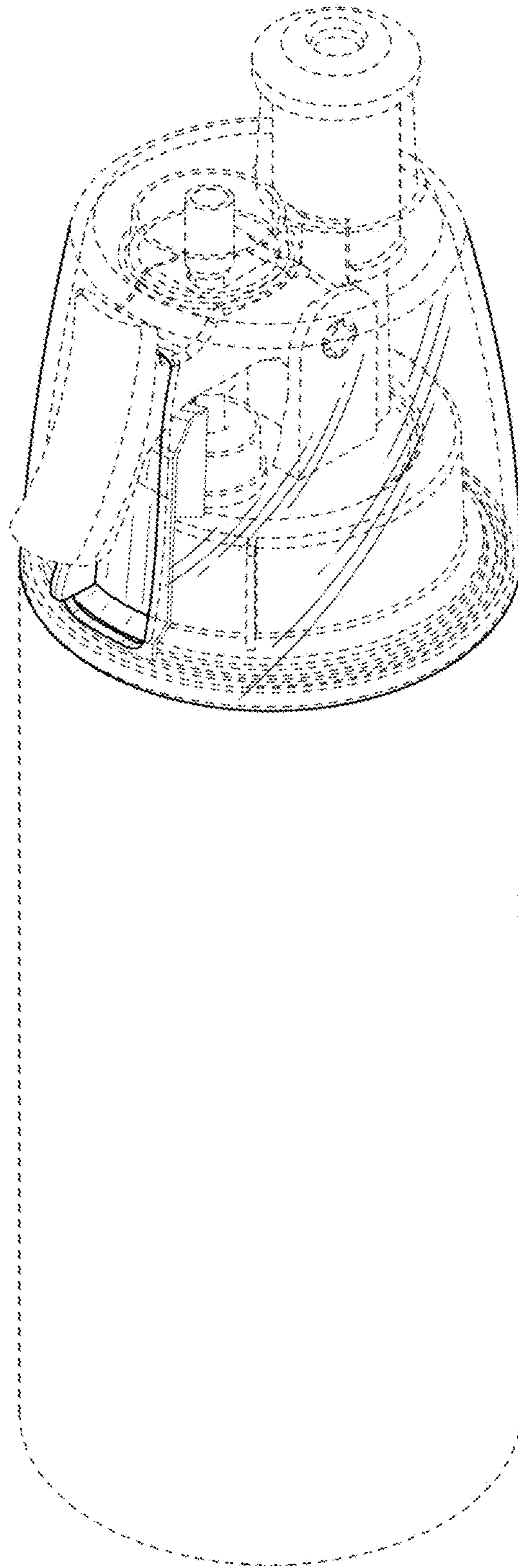


FIG. 6

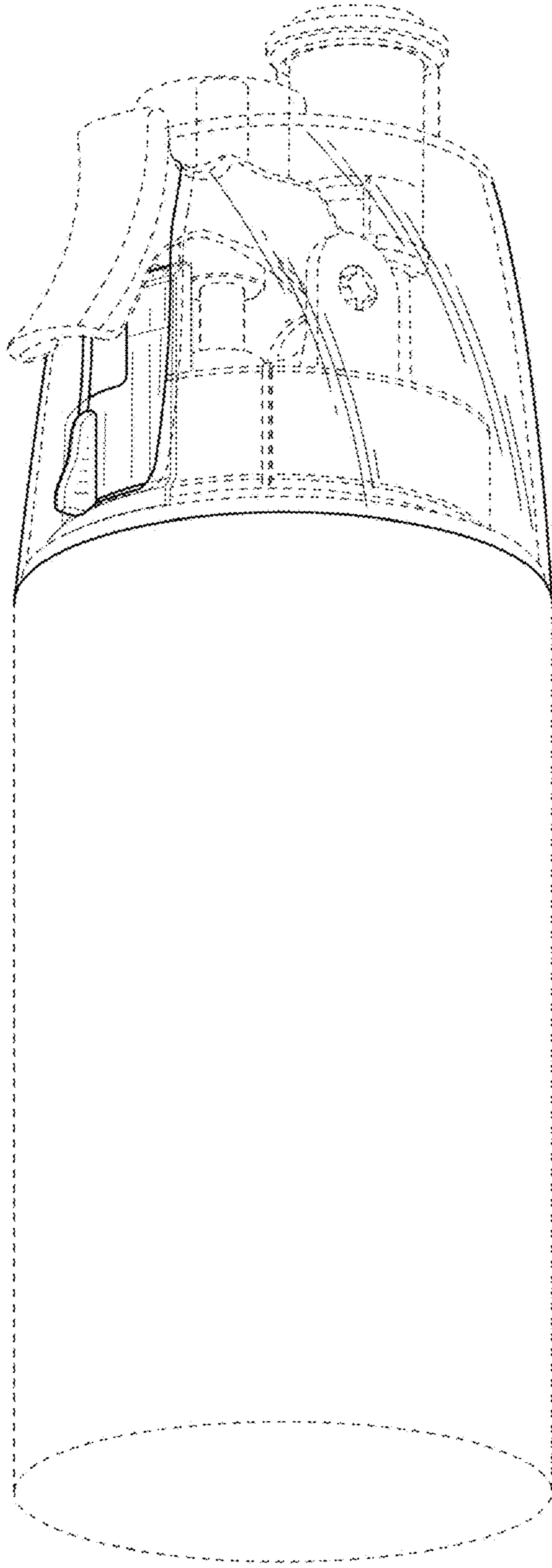


FIG. 7

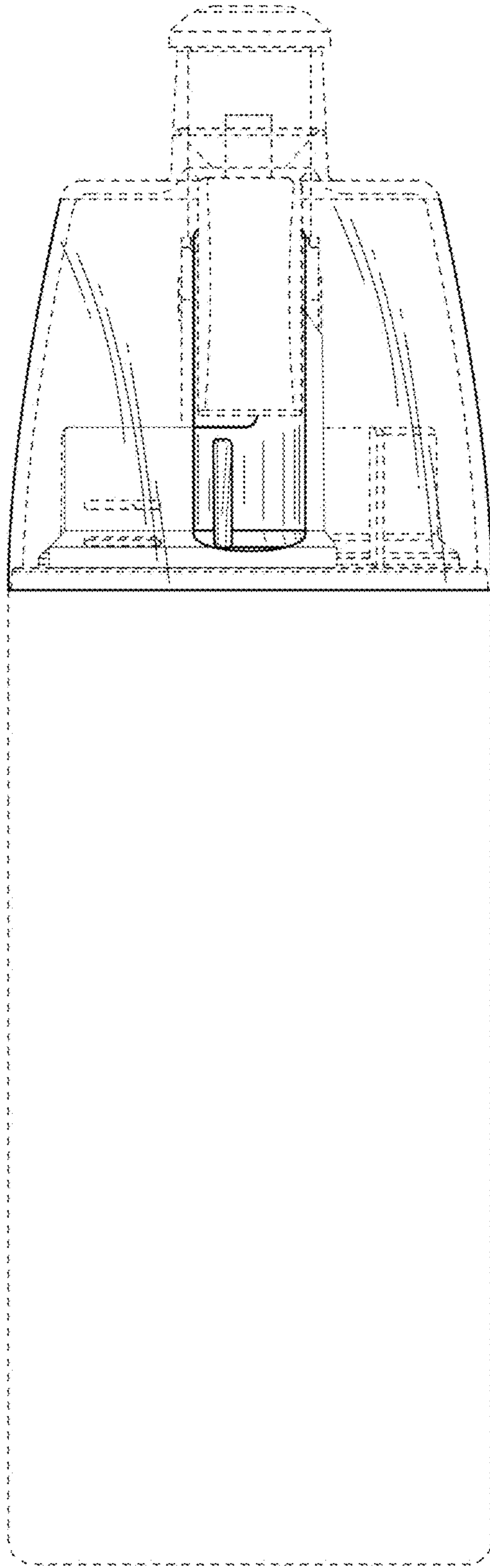


FIG. 8