



US00D840226S

(12) **United States Design Patent** (10) **Patent No.:** **US D840,226 S**
Furner et al. (45) **Date of Patent:** **** Feb. 12, 2019**

(54) **OVERCAP FOR CONTAINER**

FOREIGN PATENT DOCUMENTS

(71) Applicant: **S. C. JOHNSON & SON, INC.**,
Racine, WI (US)

AU 141209 7/2000
AU 302356 7/2005

(Continued)

(72) Inventors: **Paul Furner**, Racine, WI (US); **Paul Diehl**, New York, NY (US)

OTHER PUBLICATIONS

(73) Assignee: **S. C. Johnson & Son, Inc.**, Racine, WI (US)

Chicago Aerosol. New Custom Packaging Options from Chicago Aerosol. Mar. 23, 2016 [earliest online date], [site visited Jun. 7, 2018]. Available from Internet, <URL: http://www.chicagoaerosol.com/blog/posts/new-custom-packaging-options-from-chicago-aerosol>. (Year: 2016).*

(**) Term: **15 Years**

(Continued)

(21) Appl. No.: **29/612,840**

(22) Filed: **Aug. 4, 2017**

Primary Examiner — George D. Kirschbaum

Assistant Examiner — Darcey E Heflin

(51) **LOC (11) Cl.** **09-07**

(52) **U.S. Cl.**

(57) **CLAIM**

USPC **D9/445**

The ornamental design for an overcap for container, as shown and described.

(58) **Field of Classification Search**

DESCRIPTION

USPC D3/201, 203.1, 203.2, 203.3; D7/300, D7/312, 313, 387, 392, 392.1, 396.1, D7/396.2, 397, 398; D9/434–436, 440, D9/443, 447, 448, 452–456, 499, 445, D9/686, 688, 723; D28/7

CPC B65D 43/02; B65D 83/752

See application file for complete search history.

FIG. 1 is an isometric view of a top, front, and right side of an ornamental design for an overcap for container;
FIG. 2 is a front elevational view of the overcap for container of FIG. 1;
FIG. 3 is a rear elevational view of the overcap for container of FIG. 1;
FIG. 4 is a right side elevational view of the overcap for container of FIG. 1;
FIG. 5 is a left side elevational view of the overcap for container of FIG. 1; and,
FIG. 6 is a top plan view of the overcap for container of FIG. 1.

(56) **References Cited**

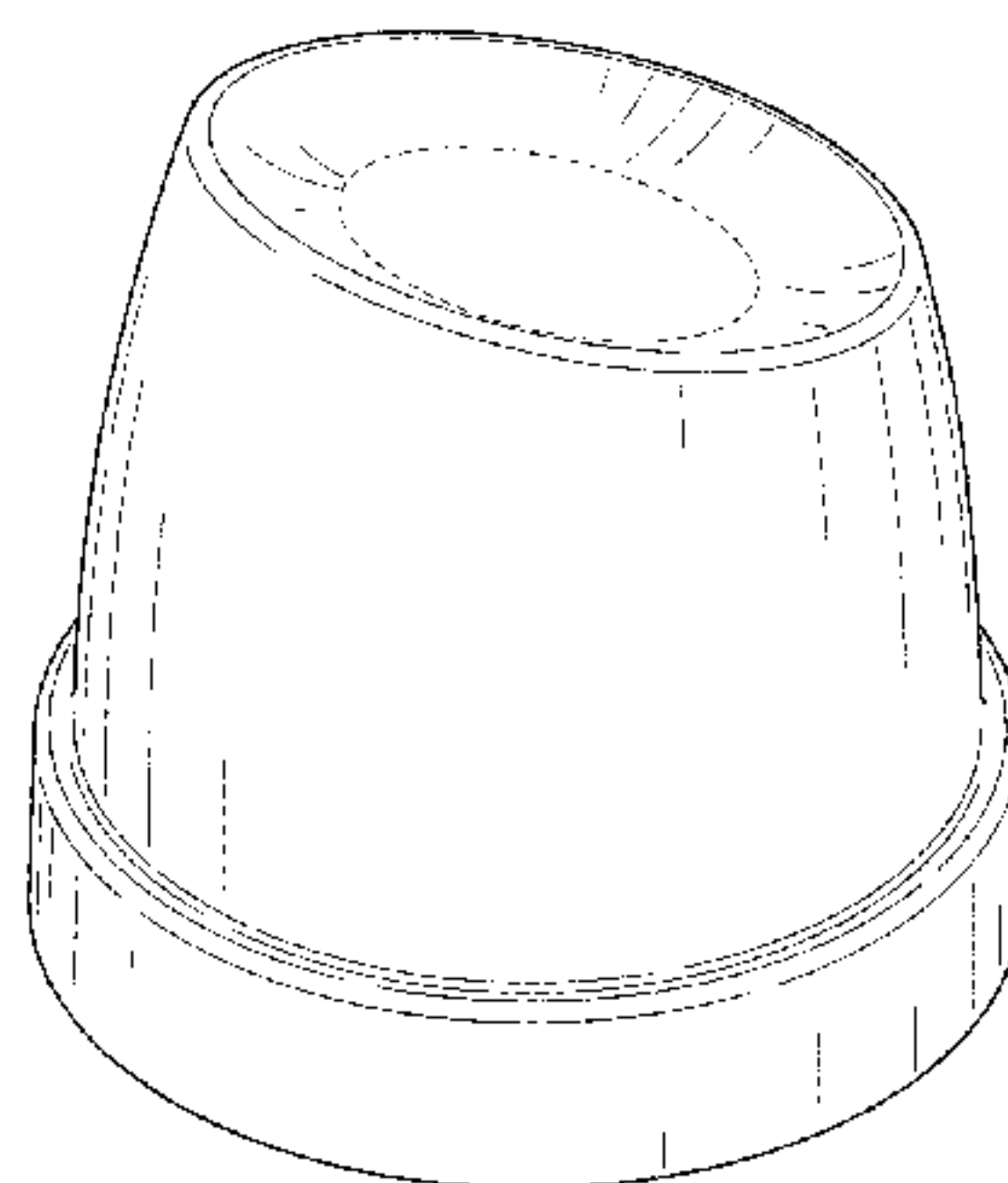
U.S. PATENT DOCUMENTS

D283,592 S * 4/1986 Quarrell D6/512
D318,231 S * 7/1991 Lay D9/435
D354,439 S 1/1995 Kuplien
D413,514 S * 9/1999 Pericard D9/445
D434,658 S 12/2000 Geier
D451,021 S 11/2001 Berge et al.
D475,921 S * 6/2003 Smith D9/444
D491,064 S * 6/2004 Miller D9/448
D507,487 S 7/2005 Marroncles
D511,967 S 11/2005 Bodet

(Continued)

The dash-dash-dash-dash broken lines are included for the purpose of illustrating portions that form no part of the claimed design. The dash-dot-dash lines are included for the purpose of illustrating a boundary line, and form no part of the claimed design.

1 Claim, 4 Drawing Sheets



(56)

References Cited

U.S. PATENT DOCUMENTS

D536,969	S	2/2007	Geier	
D580,274	S	11/2008	Abel	
D625,997	S *	10/2010	Lee	D9/448
D644,926	S *	9/2011	Davis	D9/448
D660,694	S *	5/2012	Mongeon	D9/445
D663,630	S	7/2012	White et al.	
D664,432	S	7/2012	Jordan	
D666,490	S	9/2012	Leon	
D696,892	S	1/2014	Bretillot	
D716,653	S *	11/2014	Balembois	D9/435
D716,654	S *	11/2014	Dubitsky	D9/435
D718,136	S *	11/2014	Harrity	D9/499
D736,095	S	8/2015	Brochado et al.	
D744,335	S *	12/2015	Rigollet	D9/436
D758,860	S	6/2016	Nguyen	
D764,291	S *	8/2016	Lemke	D9/436
D786,088	S *	5/2017	Wilson	D9/688

FOREIGN PATENT DOCUMENTS

AU	314784	6/2007
AU	334969	2/2011
AU	334972	2/2011
AU	350704	9/2013
CN	3400333	10/2004
CN	300701925	10/2007
CN	302640128	11/2013
CN	302705826	1/2014
CN	302980691	10/2014
EM	000077169-0001	9/2003
EM	000314240-0001	3/2005
EM	000318928-0001	4/2005
EM	000343066-0001	5/2005
EM	000385505-0001	8/2005
EM	000743133-0001	6/2007
EM	00743133-0003	6/2007
EM	001251490-0002	12/2010
EM	001251490-0004	12/2010

EM	001868928-0001	5/2011
EM	001868928-0002	5/2011
EM	001309678-0002	1/2012
EM	001309678-0004	1/2012
EM	002225441-0001	4/2013
EM	002441477-0004	4/2014
EM	002441477-0005	4/2014
EM	002441477-0007	4/2014
EM	002574970-0001	11/2014
EM	003833367-0005	3/2017
IN	233540-0001	12/2010
IN	245232-0001	5/2012

OTHER PUBLICATIONS

“Powder Spray Bottle with Ridged Neck, Clear,” QOSMEDIX, URL: <https://www.qosmedix.com/powder-spray-bottle-with-ridged-neck-clear-29565>, Published/Accessed Jun. 12, 2017, 6 pages.

“TERRO Spider Killer,” URL: <https://www.walmart.com/ip/TERRO-Spider-Killer/27654076>, Published/Accessed Jun. 12, 2017, 6 pages.

“Coster introduces Capri, the new actuator for spray products,” webpackaging, URL: <https://www.webpackaging.com/en/portals/coster/assets/11022257/coster-introduces-capri-the-new-actuator-for-spray-products/>, Feb. 17, 2015, 2 pages.

“Fine mist sprayers,” Frapak Packaging, URL: <https://www.frapak.com/en/fine-mist-sprayers>, Published/Accessed: Jun. 12, 2017, 3 pages.

“Playboy Hollywood Body Spray, 4 oz,” URL: <https://www.walmart.com/ip/Playboy-Hollywood-Body-Spray-4-oz/24511837>, Published/Accessed: Jun. 12, 2017, 1 page.

“Fogg Delicious, Essence Paradise Fragrant Body Spray Combo for Women,” Shopclues.com, Clues Network Pvt. Ltd., URL: <http://www.shopclues.com/fogg-delicious-essence-and-paradise-fragrant-body-spray-combo-forwomen-1.html>, Published/Accessed: Jun. 12, 2017, 4 pages.

“Armaf men body spray club de nuit men perfume,” PriceBD, URL: <http://www.pricebd.net/armaf-men-body-spray-club-de-nuit-men-perfume-club-de-nuit-menperfume/>, Published/Accessed: Jun. 12, 2017, 6 pages.

* cited by examiner

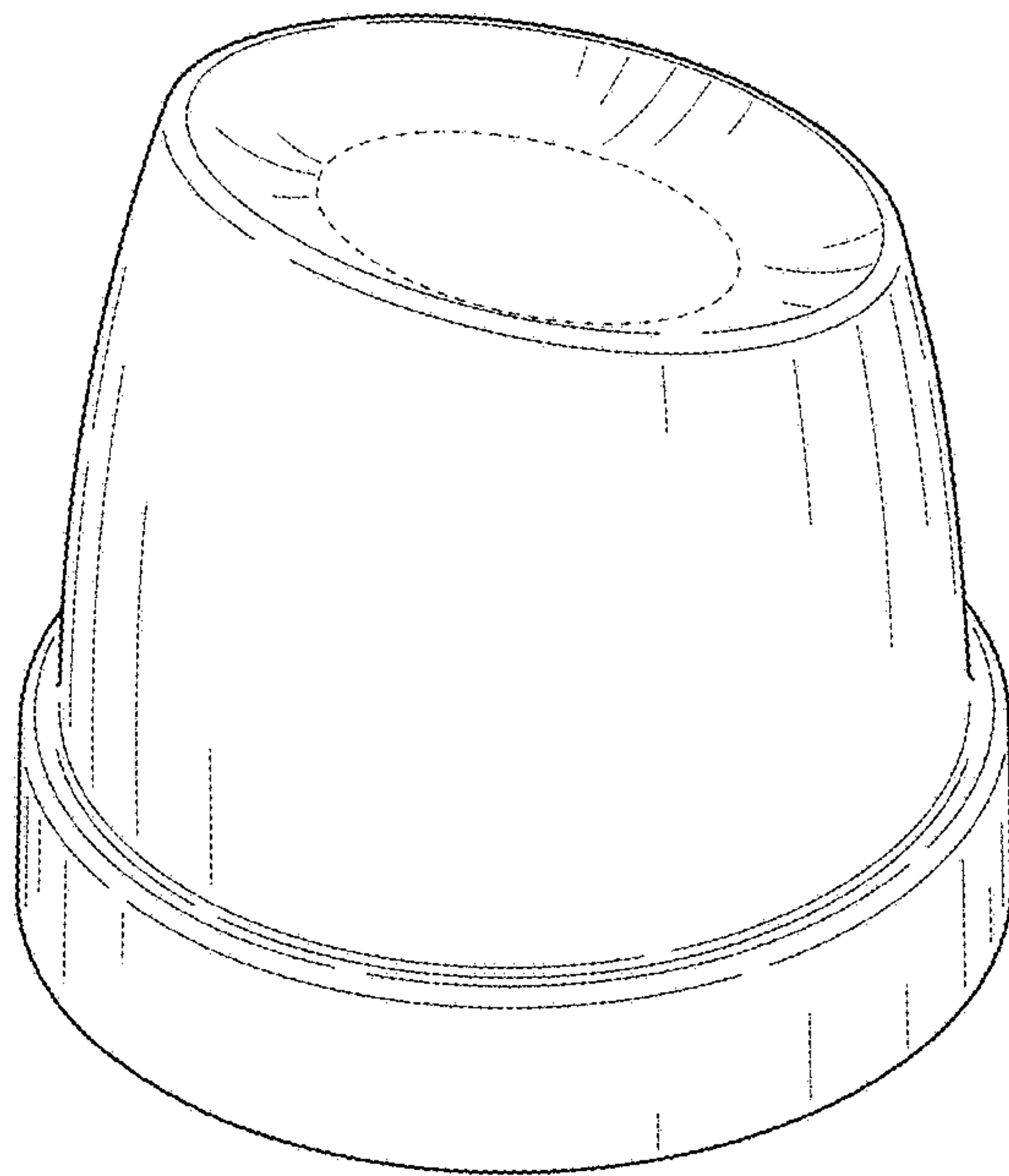


FIG. 1

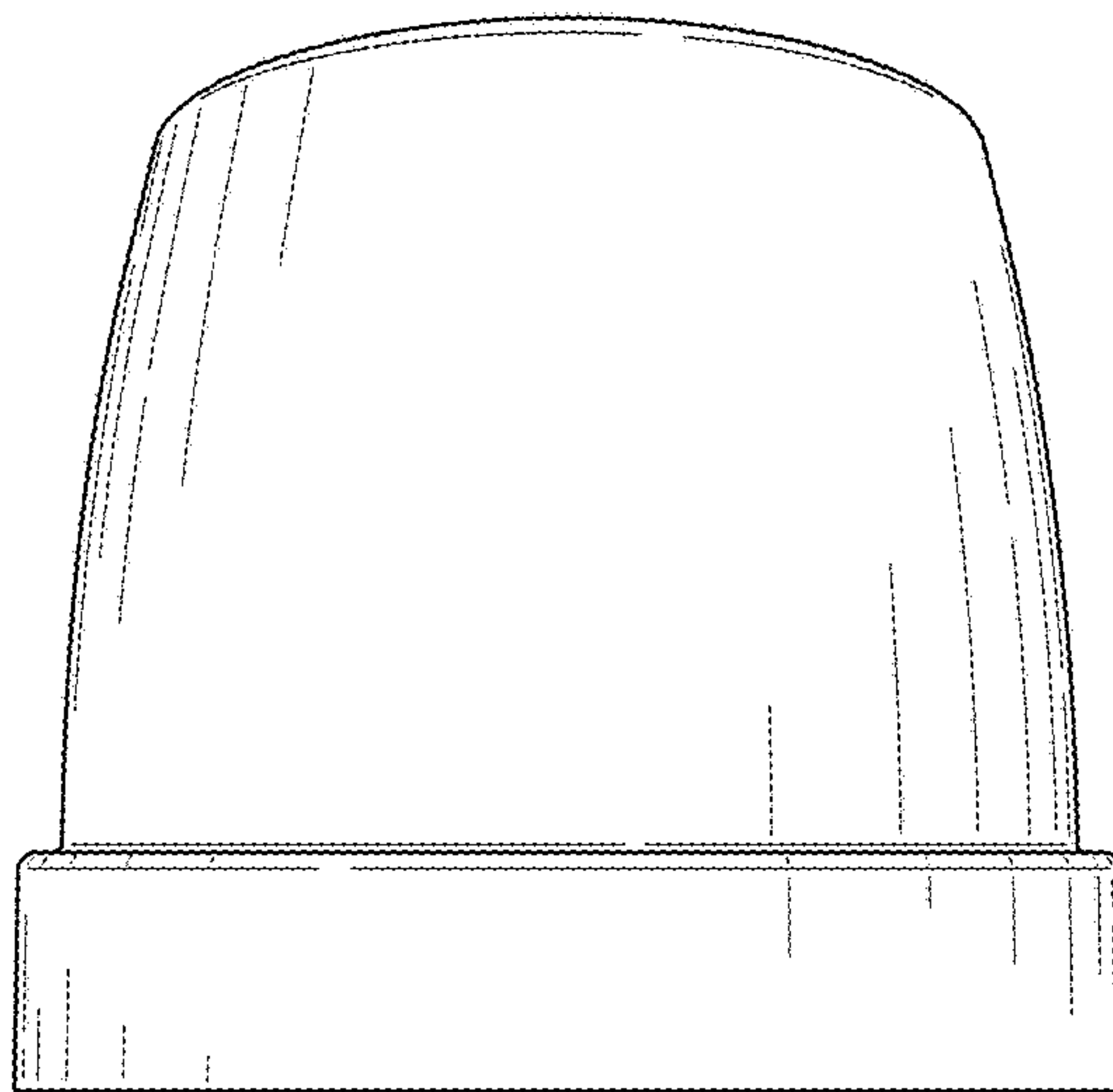


FIG. 2

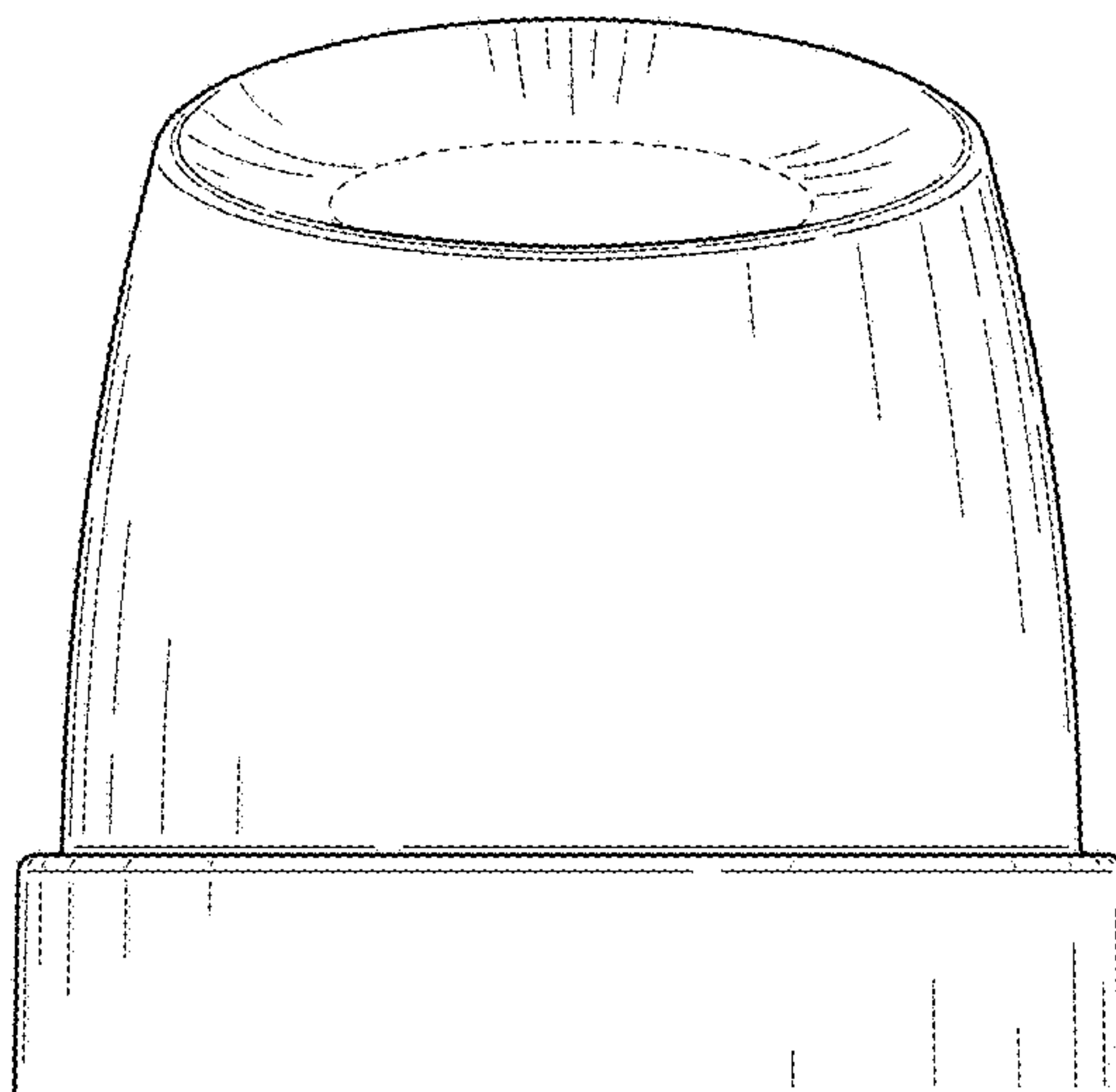


FIG. 3

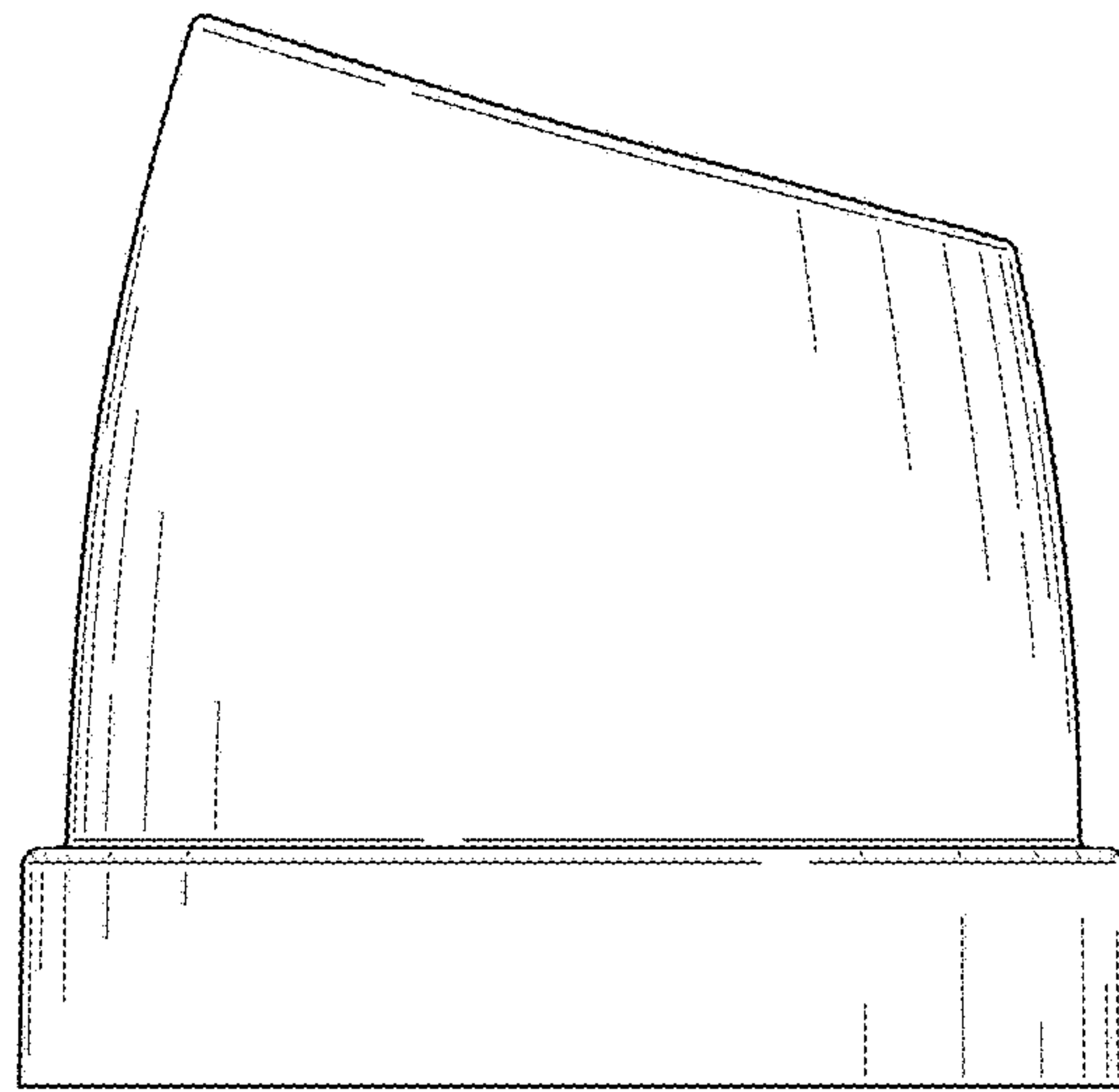


FIG. 4

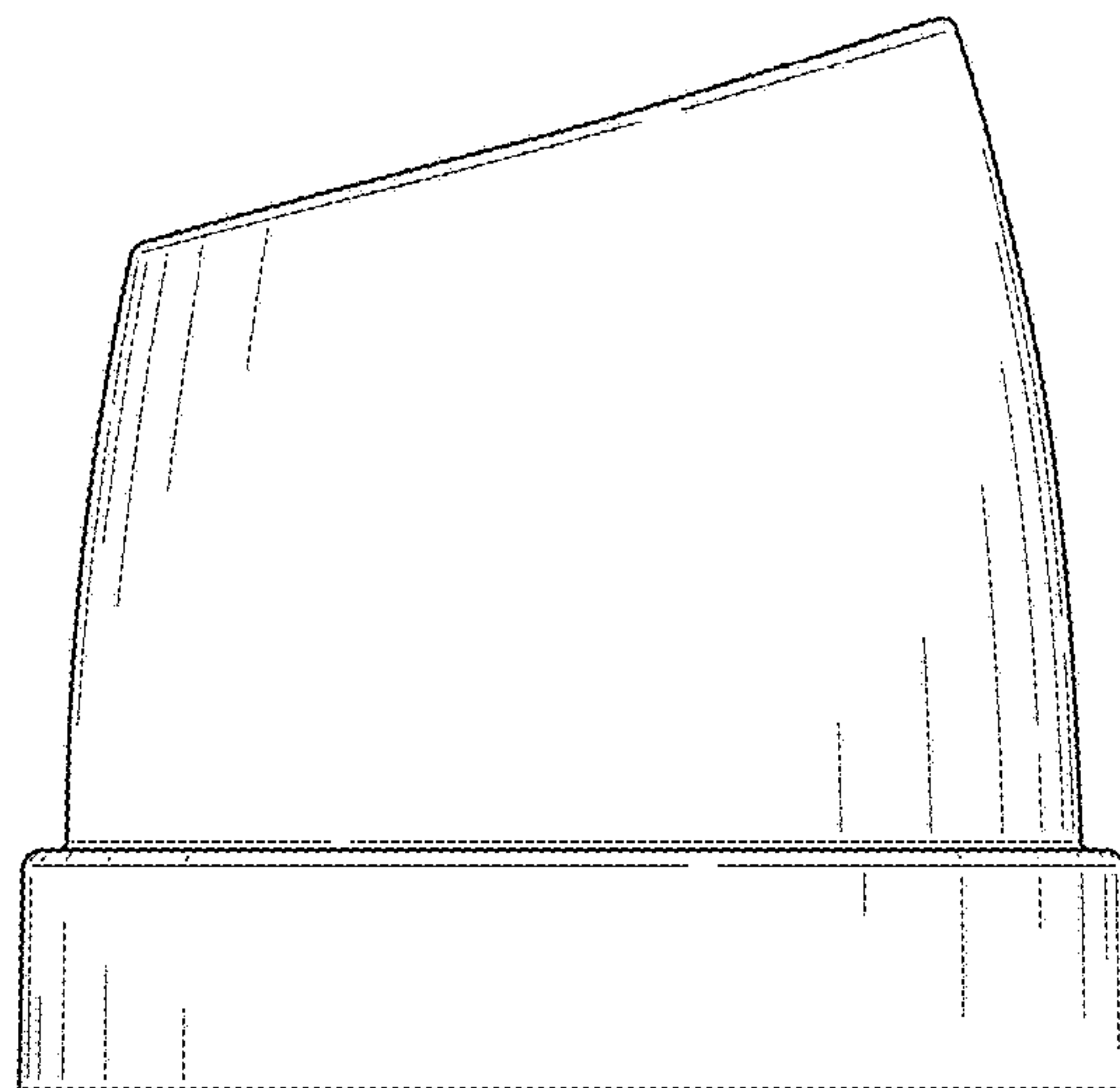


FIG. 5

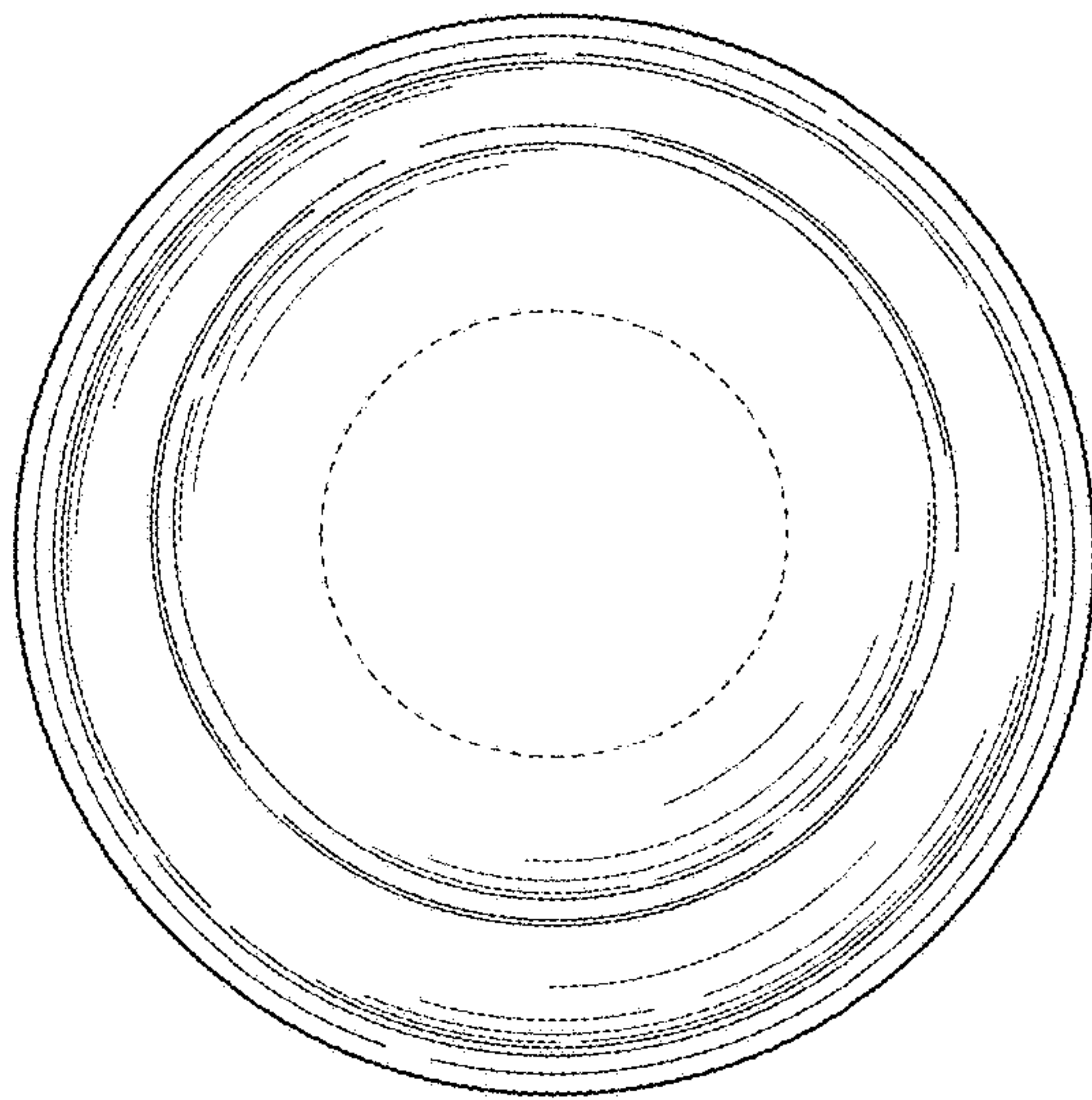


FIG. 6