

US00D840221S

(12) **United States Design Patent**
Lam

(10) **Patent No.:** **US D840,221 S**

(45) **Date of Patent:** **** Feb. 12, 2019**

(54) **PRODUCE CONTAINER**

(71) Applicant: **Multisteps Pty Ltd**, Silverwater NSW (AU)

(72) Inventor: **John Lam**, Silverwater (AU)

(73) Assignee: **Multisteps Pty Ltd**, Silverwater NSW (AU)

(**) Term: **15 Years**

(21) Appl. No.: **29/590,891**

(22) Filed: **Jan. 13, 2017**

(51) **LOC (11) Cl.** **09-03**

(52) **U.S. Cl.**
USPC **D9/423**

(58) **Field of Classification Search**
USPC D9/418, 423-427, 715, 717, 721, 737, D9/756, 757, 762, 761; D7/541, 553.1, D7/601, 629, 630, 701, 703, 707, 708; 220/4.21-4.23, 602-609, 669, 675, 220/835-839
CPC B65D 43/08; B65D 85/34
See application file for complete search history.

(56) **References Cited**

U.S. PATENT DOCUMENTS

D354,436 S *	1/1995	Krupa	D9/423
D399,737 S *	10/1998	Zuhlke, Jr.	D9/423
D439,159 S *	3/2001	Chen	D9/425
D446,450 S *	8/2001	Zettle	D9/423
D448,288 S *	9/2001	Zettle	D9/423
D448,991 S *	10/2001	Zettle	D9/423
D614,950 S *	5/2010	Colacitti	D7/354
D628,472 S *	12/2010	Strange	D9/425
D646,563 S *	10/2011	Bontrager	D9/425
D649,033 S *	11/2011	Epstein	D9/425
D665,674 S *	8/2012	Wu	D7/629
D665,677 S *	8/2012	Wu	D7/629
D668,536 S *	10/2012	Sanfilippo	D9/423
D673,847 S *	1/2013	Barbier	D9/420

D746,131 S *	12/2015	Astorga	D9/425
D755,578 S *	5/2016	Wu	D7/629
D796,948 S *	9/2017	Lam	D9/420
D805,857 S *	12/2017	Mei	D7/629
2015/0101955 A1 *	4/2015	Lam	B65D 21/0223 206/511
2015/0321799 A1 *	11/2015	Lam	B65D 85/70 220/315
2015/0336734 A1 *	11/2015	Lam	B65D 85/34 220/200

(Continued)

OTHER PUBLICATIONS

“Dart, Clear Hinged Plastic”, Posted May 3, 2010 [Online], [retrieved Jan. 29, 2018]. Retrieved from Internet, <URL: https://www.webstaurantstore.com/dart-c26ut1-staylock-7-x-6-x-2-1-8-clear-hinged-plastic-7-small-oblong-container-case/301C26UT1.html.*

(Continued)

Primary Examiner — Barbara Fox
Assistant Examiner — Mehri F Bajoul
(74) *Attorney, Agent, or Firm* — Alston & Bird LLP

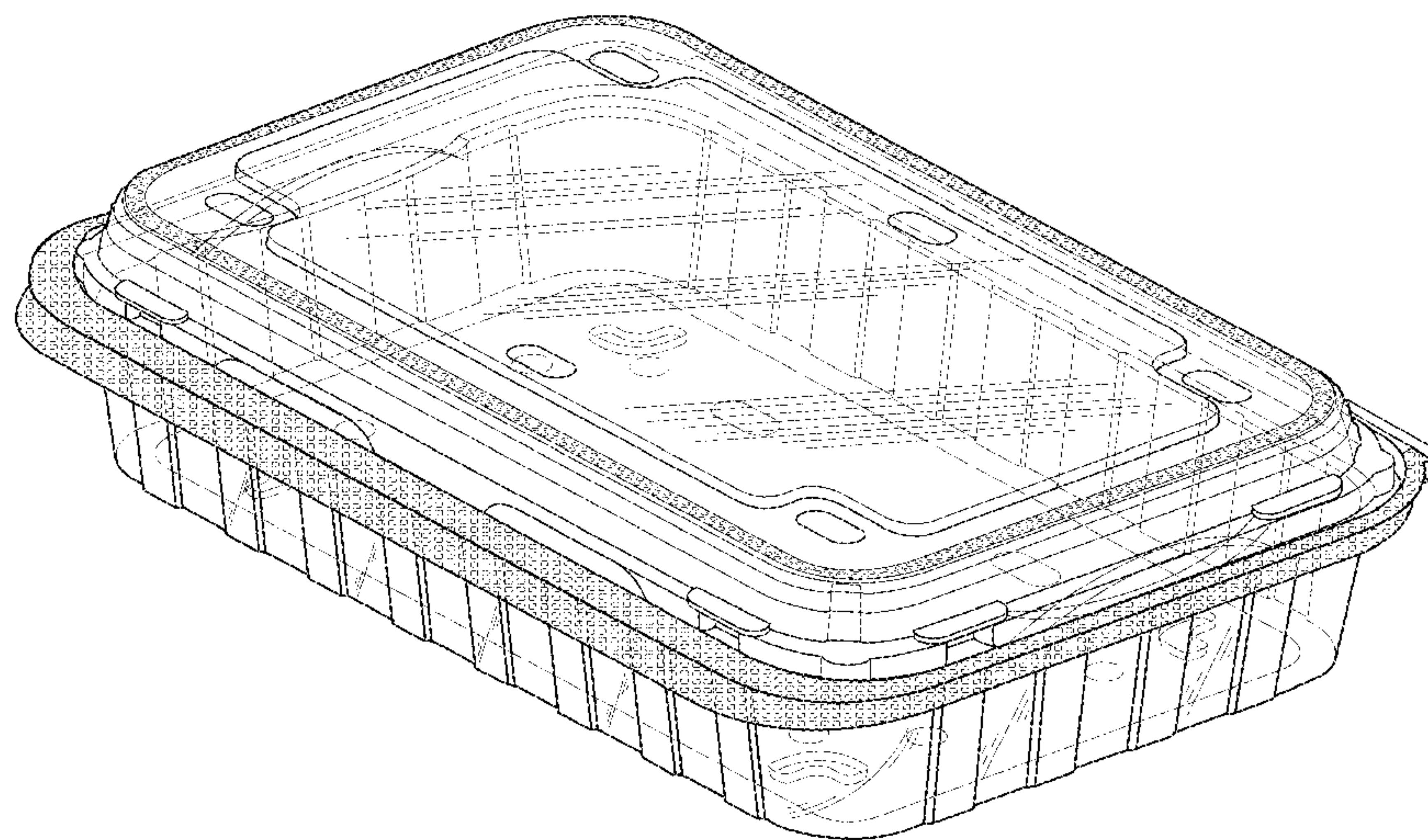
(57) **CLAIM**

We claim the ornamental design for a produce container, as shown and described.

DESCRIPTION

FIG. 1 is a front top perspective of a produce container showing the present design;
FIG. 2 is a bottom rear perspective view of the produce container of FIG. 1;
FIG. 3 is a top view of the produce container of FIG. 1;
FIG. 4 is a front view of the produce container of FIG. 1;
FIG. 5 is a rear view of the produce container of FIG. 1;
FIG. 6 is a bottom view of the produce container of FIG. 1;
and,
FIG. 7 is a left side view of the product container of FIG. 1, the right side view being a mirror image thereof.

1 Claim, 5 Drawing Sheets



(56)

References Cited

U.S. PATENT DOCUMENTS

2018/0016064 A1* 1/2018 Lam B65D 43/08

OTHER PUBLICATIONS

“Riverbend Industrial—Food Grade Safe—Disposable Plastic Deli Storage Container with Hinged Lid”, Posted d Feb. 7, 2016 [Online], [retrieved Jan. 29, 2018]. Retrieved from Internet, URL: <https://www.amazon.com/Riverbend-Industrial-Disposable-Plastic-Container/dp/B01KS5H0S6#customerReview>.*

* cited by examiner

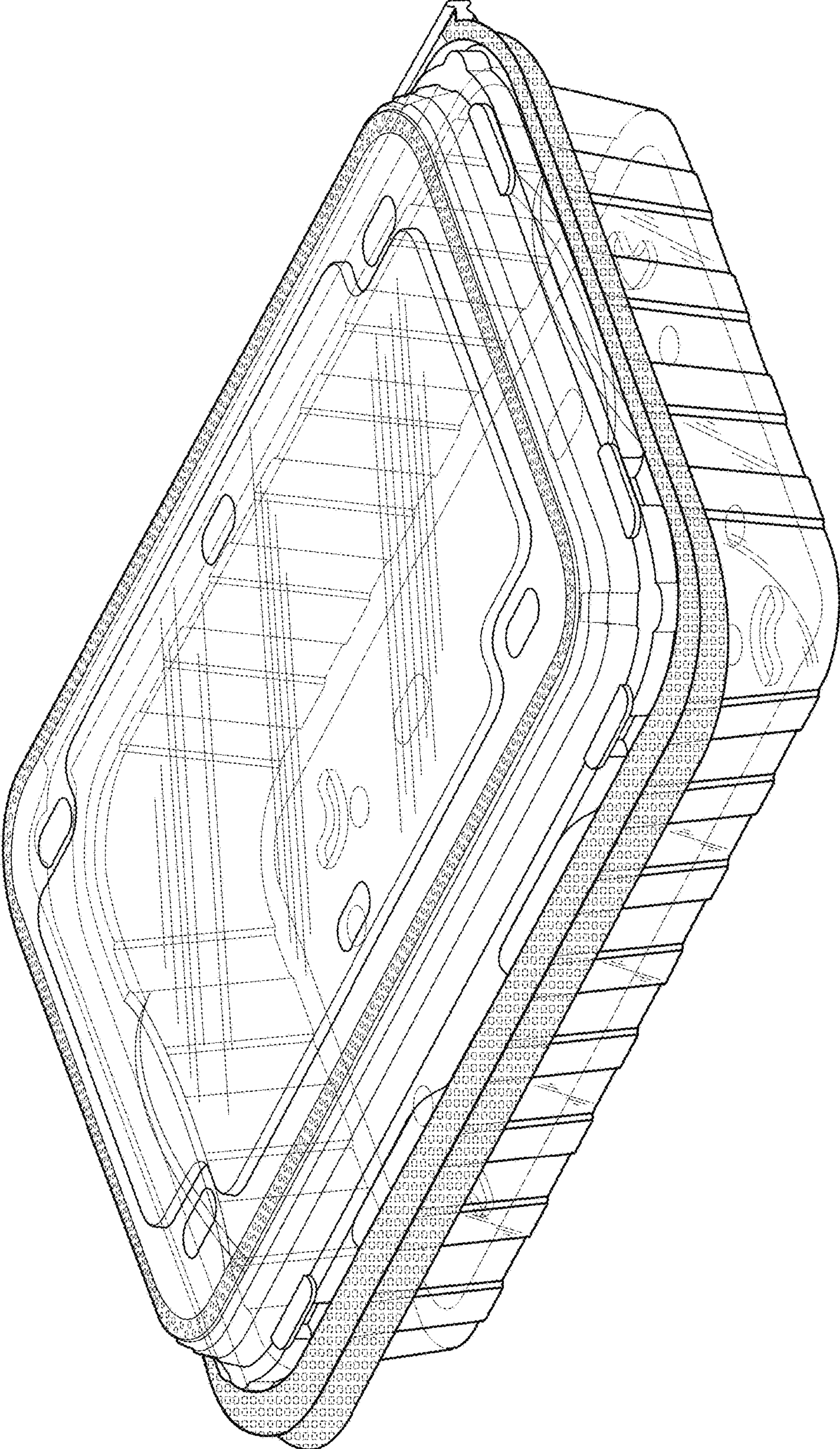


FIG. 1

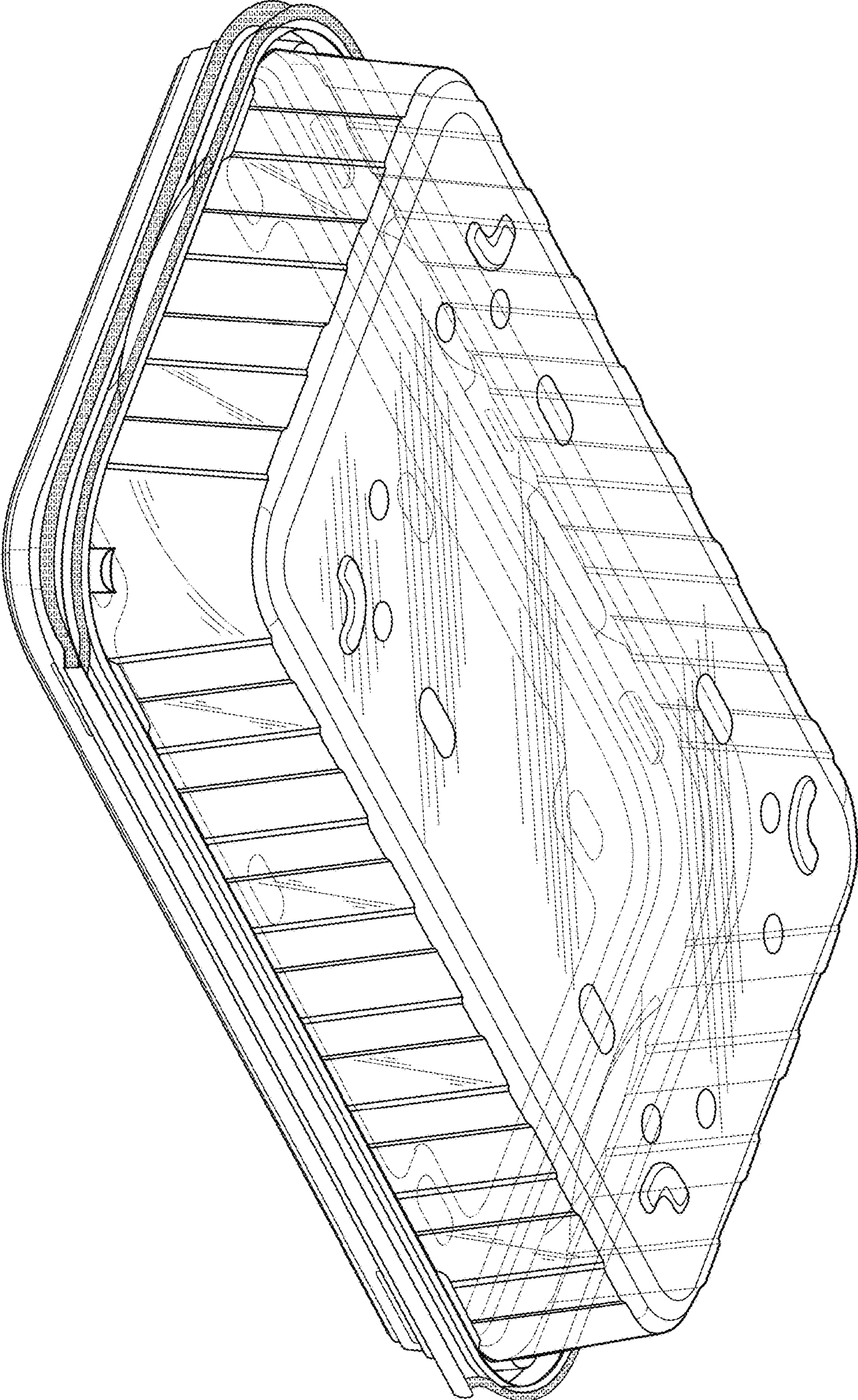


FIG. 2

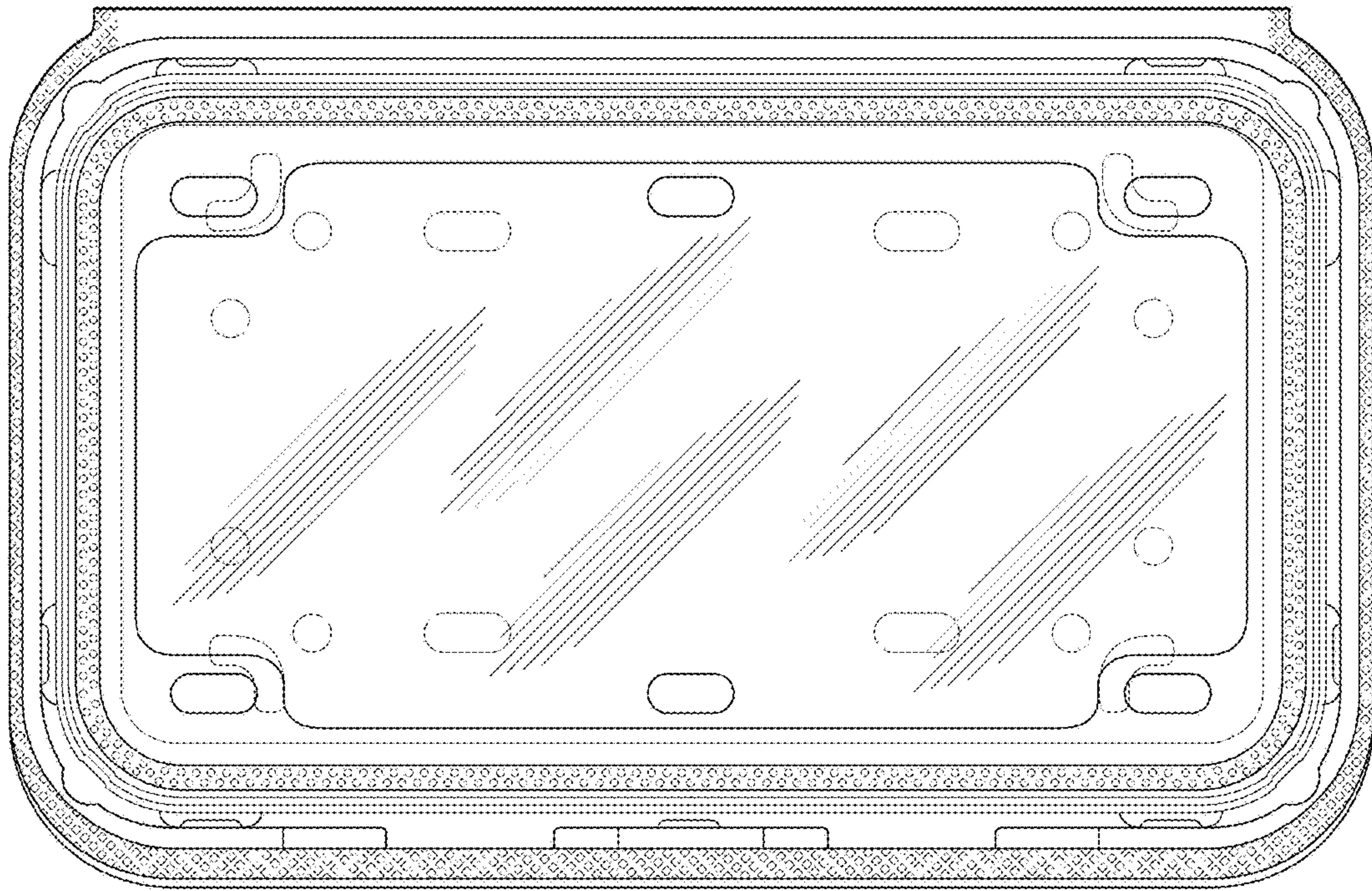


FIG. 3

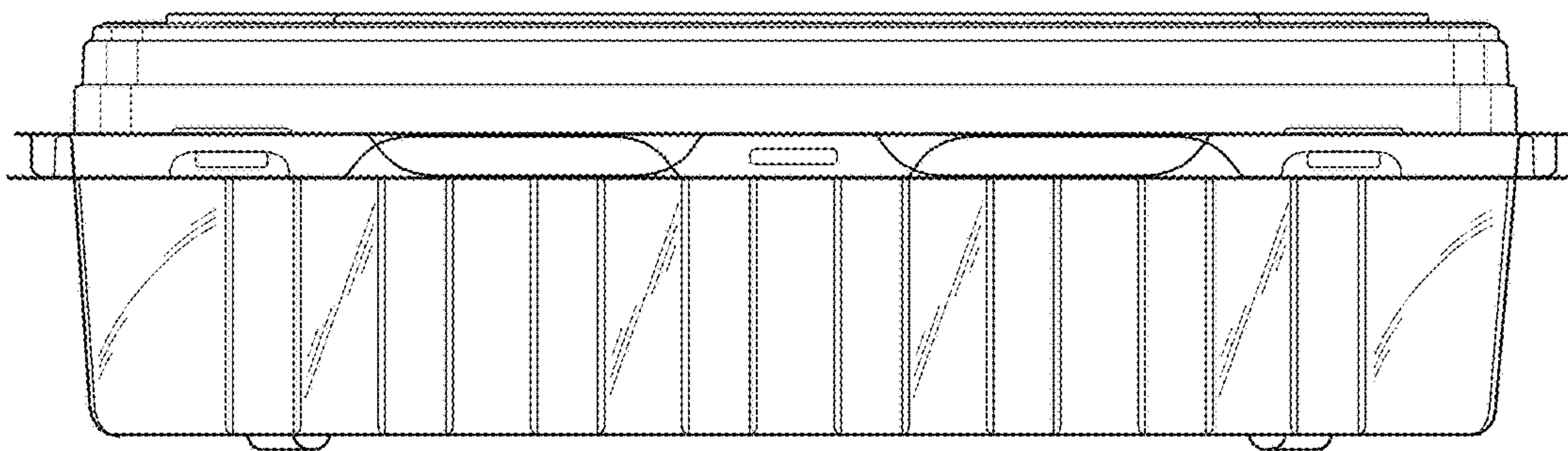


FIG. 4

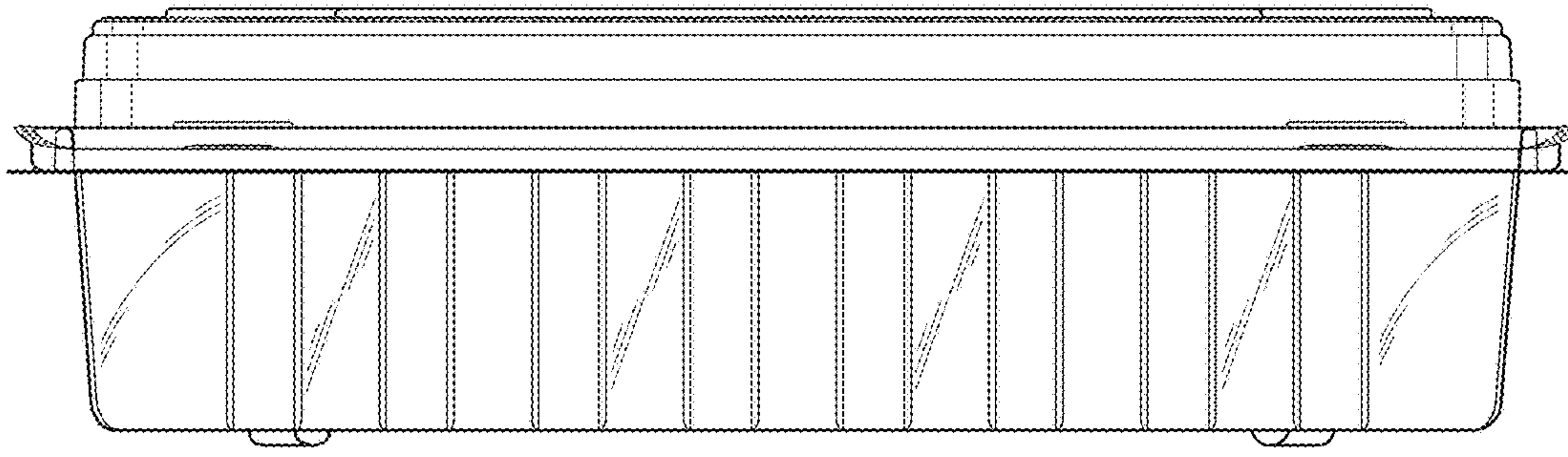


FIG. 5

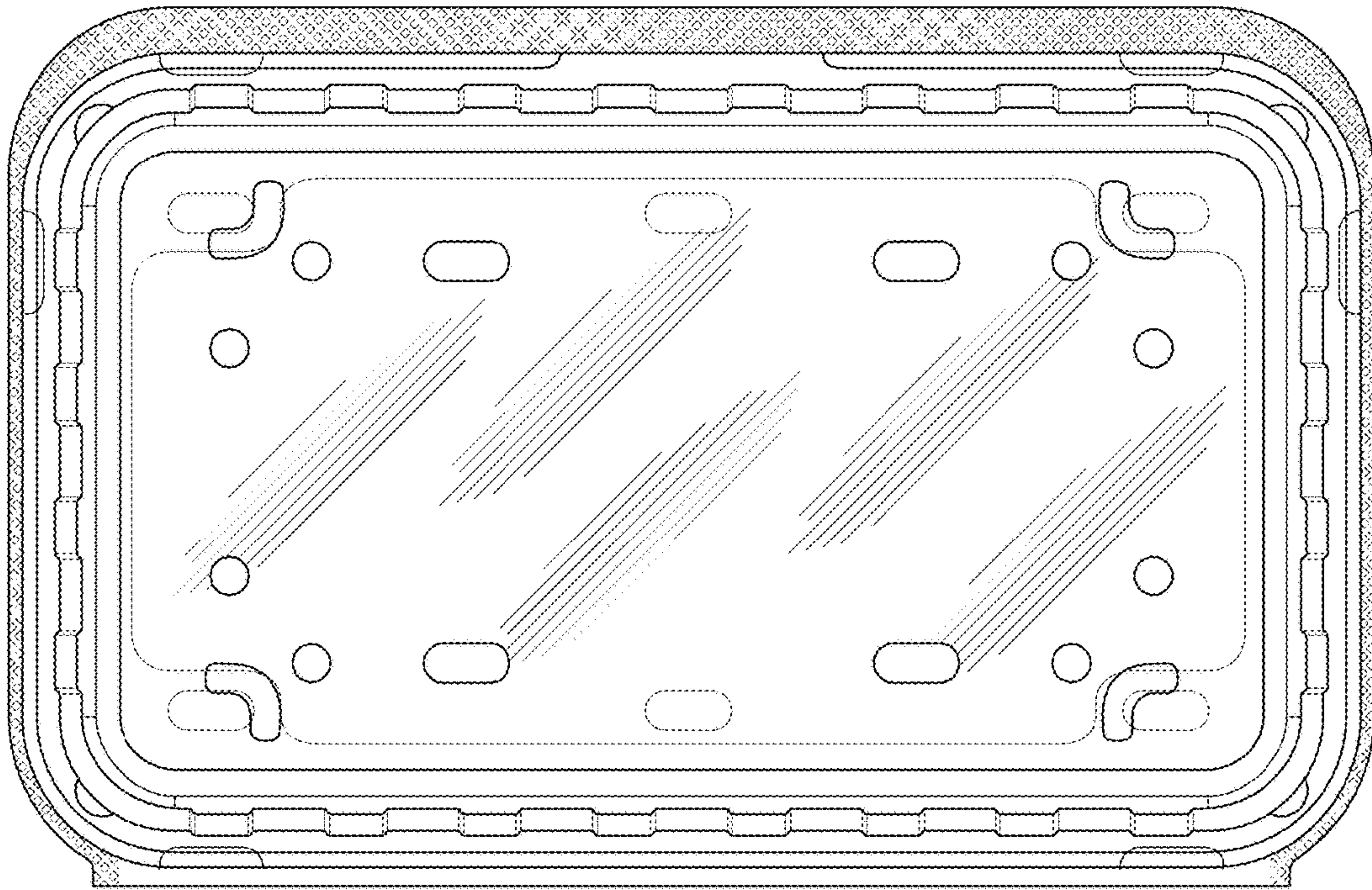


FIG. 6

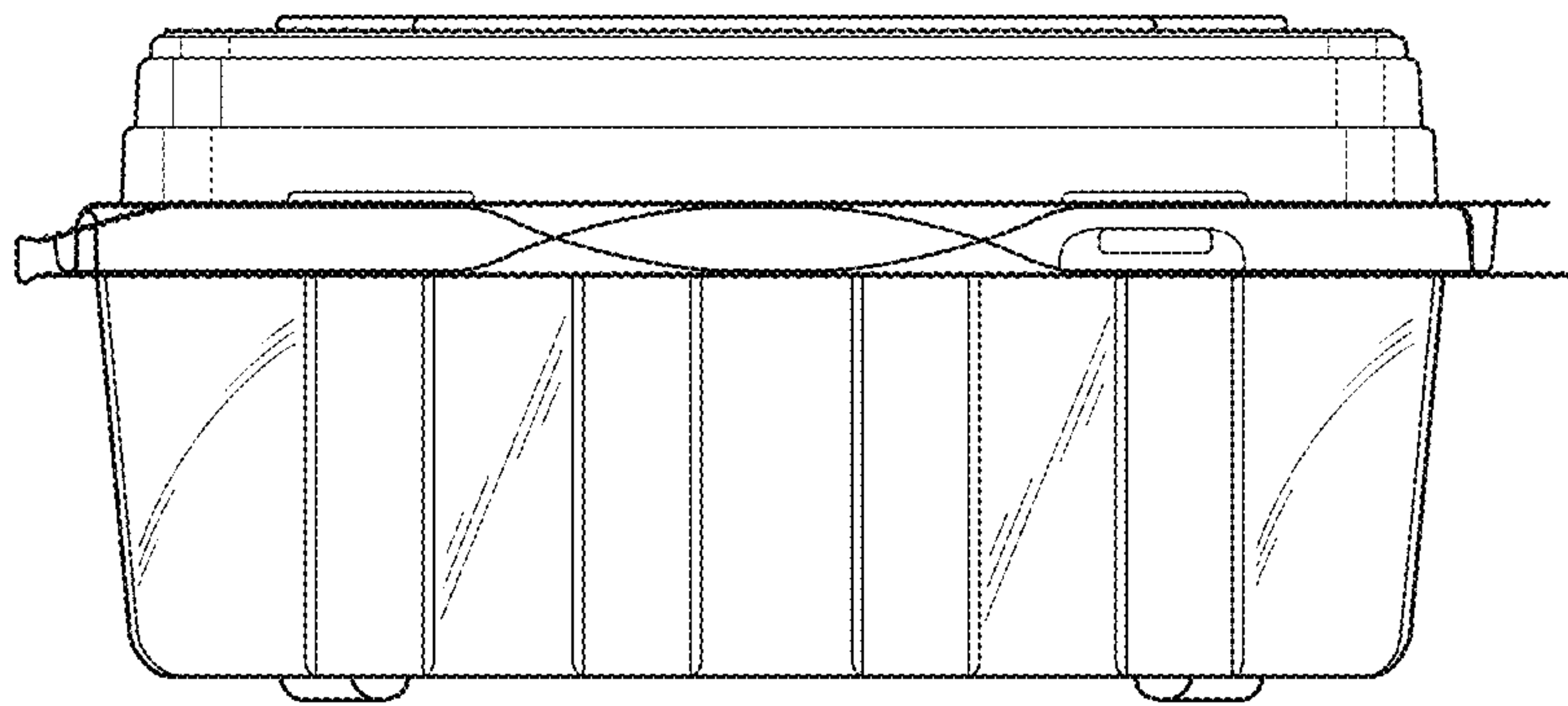


FIG. 7

UNITED STATES PATENT AND TRADEMARK OFFICE
CERTIFICATE OF CORRECTION

PATENT NO. : D840,221 S
APPLICATION NO. : 29/590891
DATED : February 12, 2019
INVENTOR(S) : Lam

Page 1 of 1

It is certified that error appears in the above-identified patent and that said Letters Patent is hereby corrected as shown below:

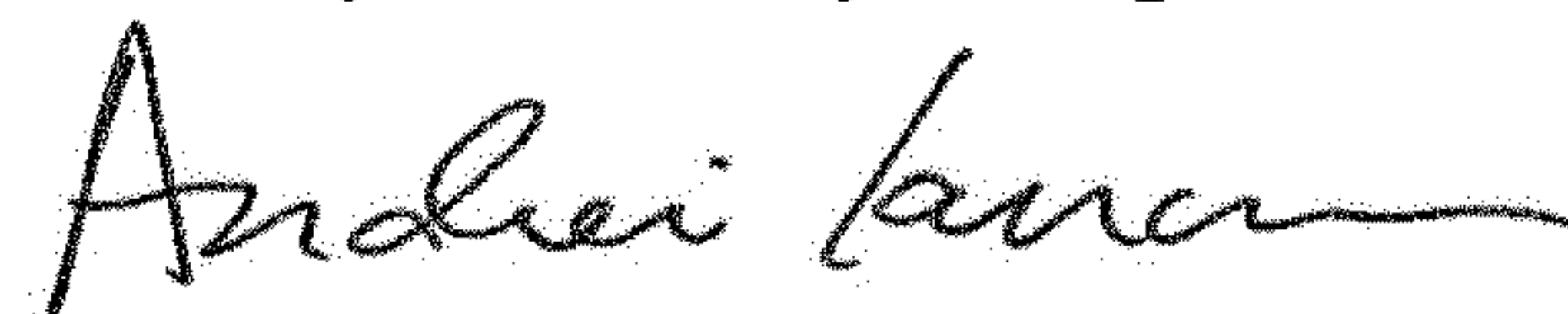
On the Title Page

Add the following section:

(30) Foreign Application Priority Data

Jul. 15, 2016 (AU) 201613823

Signed and Sealed this
Twenty-third Day of April, 2019



Andrei Iancu
Director of the United States Patent and Trademark Office