



US00D840219S

(12) **United States Design Patent**  
**McKenna et al.**

(10) **Patent No.:** **US D840,219 S**

(45) **Date of Patent:** **\*\* Feb. 12, 2019**

(54) **SHIPPING BOX**

(71) Applicant: **Diamond Assets, LLC**, Janesville, WI (US)

(72) Inventors: **Michael McKenna**, Janesville, WI (US); **Nathan Bruns**, Elgin, IL (US); **Julius Parochelli**, Elgin, IL (US)

(73) Assignee: **Diamond Assets, LLC**, Janesville, WI (US)

(\*\*) Term: **15 Years**

(21) Appl. No.: **29/597,849**

(22) Filed: **Mar. 21, 2017**

(51) **LOC (11) Cl.** ..... **09-03**

(52) **U.S. Cl.**  
USPC ..... **D9/418**; D9/420; D9/433

(58) **Field of Classification Search**  
USPC ..... D9/414-434, 456, 457, 711, 713, D9/721-722; D20/10, 22, 27, 40, 42  
CPC ..... B65D 5/00-5/02; B65D 5/18; B65D 5/20  
See application file for complete search history.

(56) **References Cited**

**U.S. PATENT DOCUMENTS**

1,145,668 A	7/1915	Brown et al.	
D221,626 S *	8/1971	Fine	D9/423
D252,613 S	8/1979	D'Alessio	
D260,490 S *	9/1981	Baker	D9/433
D262,359 S *	12/1981	Roccaforte	D9/433
D262,946 S	2/1982	Mills et al.	
D268,098 S *	3/1983	Brown	D9/418
D280,079 S	8/1985	Levetz	

(Continued)

**FOREIGN PATENT DOCUMENTS**

WO	2006/002524 A1	1/2006
WO	DM/068 321	10/2006

(Continued)

**OTHER PUBLICATIONS**

“Boxes,” Uline, uline.com accessed Sep. 2017, [https://www.uline.com/CIs\\_04/Boxes-Corrugated](https://www.uline.com/CIs_04/Boxes-Corrugated).

(Continued)

*Primary Examiner* — Vy N Koenig

(74) *Attorney, Agent, or Firm* — Boardman & Clark LLP

(57) **CLAIM**

The ornamental design for a shipping box, as shown and described.

**DESCRIPTION**

FIG. 1 is a top plan view of a shipping box according to the present invention, showing the shipping box in an unfolded state;

FIG. 2 is a first perspective view of the design of the shipping box shown in FIG. 1, showing the shipping box in a partially folded state;

FIG. 3 is a second perspective view of the design of the shipping box shown in FIG. 1, showing the shipping box in a fully folded state;

FIG. 4 is a first side elevation view of the design of the shipping box shown in FIG. 3;

FIG. 5 is a second side elevation view of the design of the shipping box shown in FIG. 3;

FIG. 6 is a third side elevation view of the design of the shipping box shown in FIG. 3;

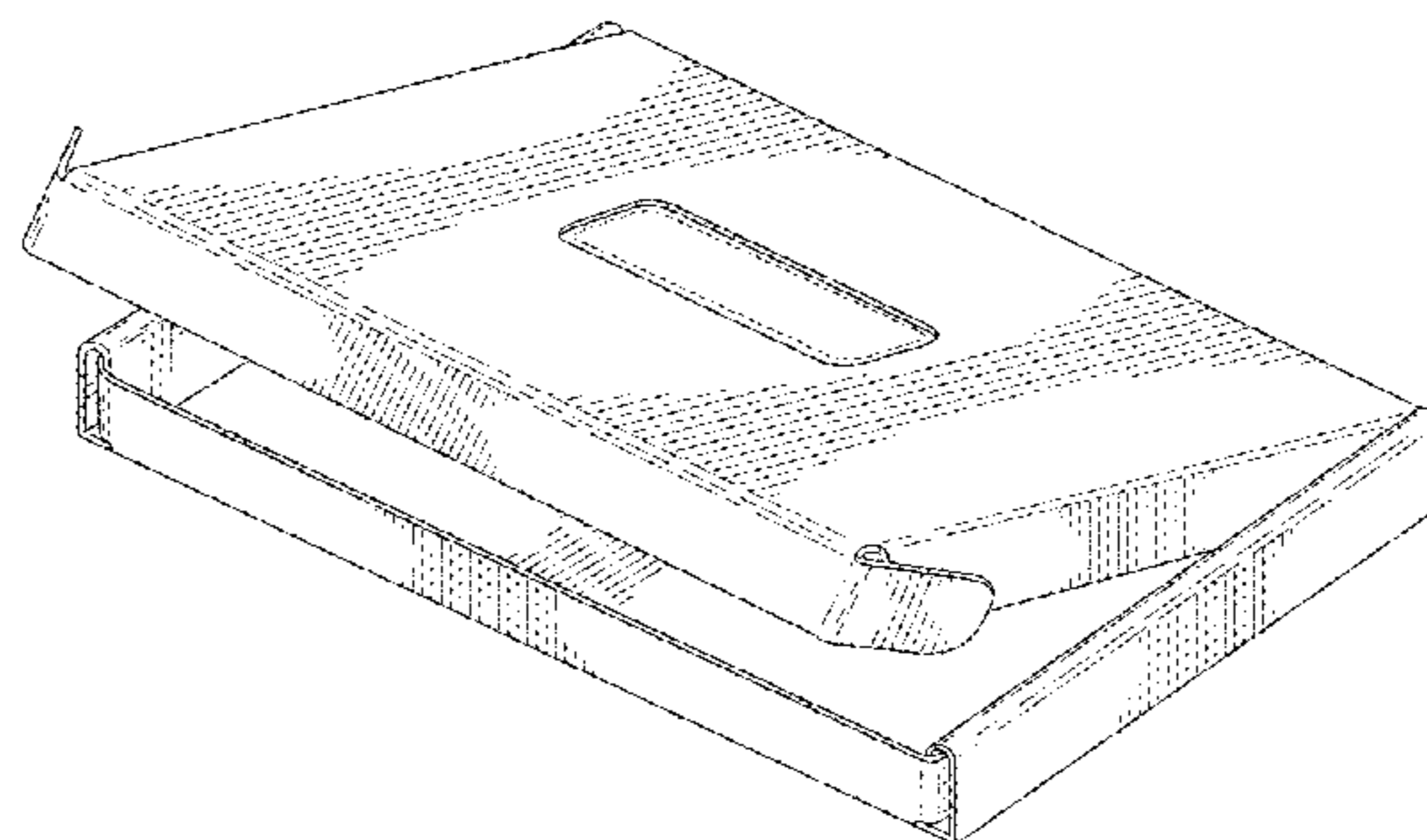
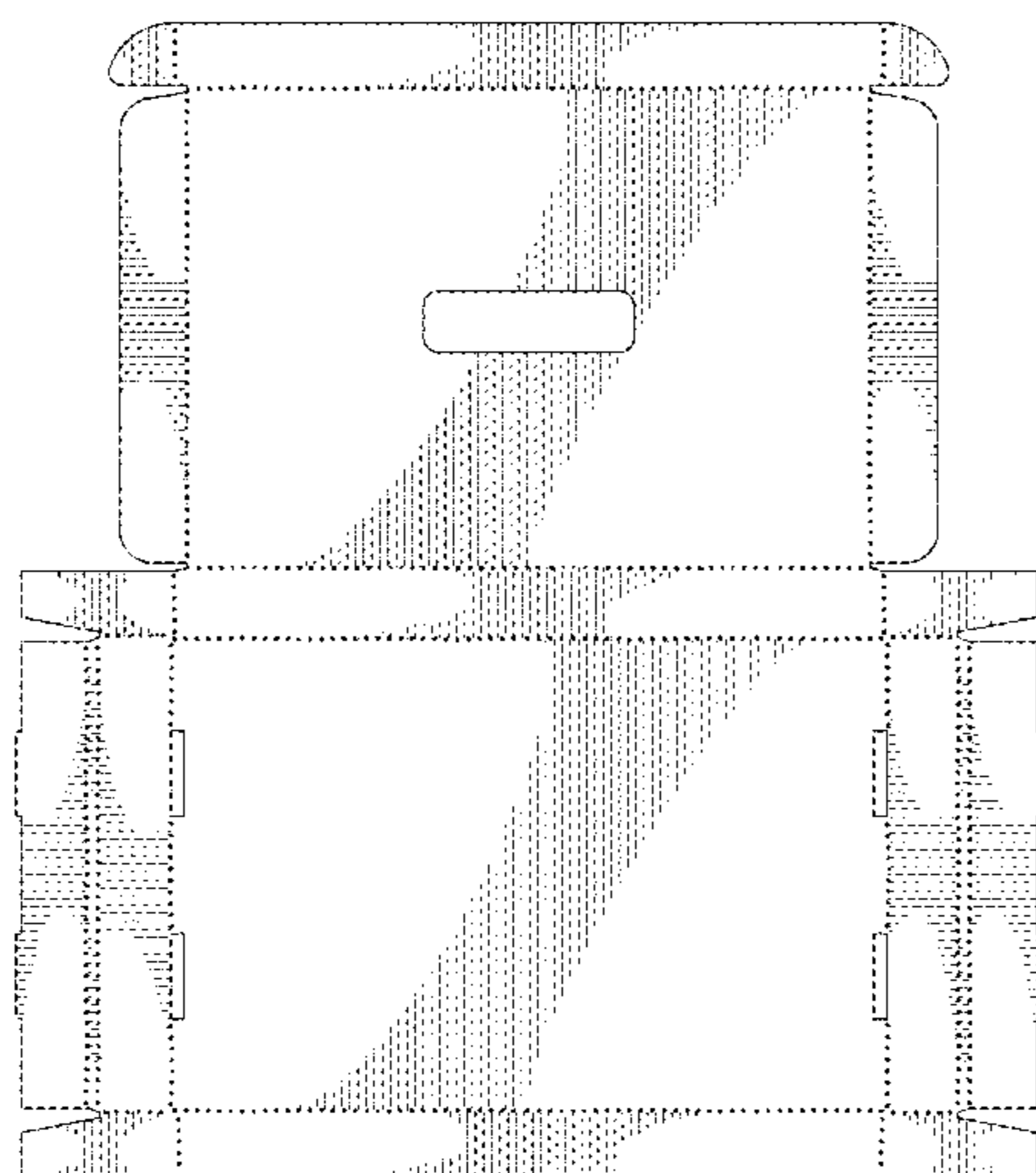
FIG. 7 is a fourth side elevation view of the design of the shipping box shown in FIG. 3;

FIG. 8 is a top plan view of the design of the shipping box shown in FIG. 3; and,

FIG. 9 is a bottom plan view of the design of the shipping box shown in FIG. 3.

The dotted lines represent fold lines and are part of the claim. The broken lines depict environmental subject matter and form no part of the claimed design.

**1 Claim, 9 Drawing Sheets**



(56)

References Cited

U.S. PATENT DOCUMENTS

D327,004 S \* 6/1992 Nadel ..... D9/432  
 D398,527 S \* 9/1998 Maceachern ..... D9/420  
 6,085,969 A 7/2000 Burgoyne  
 D447,687 S \* 9/2001 Roby ..... D9/422  
 D466,406 S 12/2002 Solland  
 D552,984 S \* 10/2007 Baron ..... D9/418  
 D552,987 S 10/2007 Magnusson  
 D580,754 S 11/2008 An  
 D642,456 S \* 8/2011 Mittelstaedt ..... D9/432  
 D643,306 S \* 8/2011 Martinez ..... D9/721  
 D652,294 S \* 1/2012 Seneca ..... D9/418  
 D652,717 S 1/2012 Shimoyama et al.  
 D665,665 S \* 8/2012 Seneca ..... D9/418  
 D666,090 S \* 8/2012 DeBusk ..... D9/433  
 D669,352 S \* 10/2012 Paslawski ..... D9/423  
 D679,950 S 4/2013 Cooper  
 D686,505 S \* 7/2013 Uemura ..... D9/432  
 D687,295 S 8/2013 Park  
 D690,587 S \* 10/2013 DeLisle ..... D9/423  
 D690,591 S 10/2013 Sanders et al.  
 D710,713 S 8/2014 Fath et al.  
 8,800,760 B2 8/2014 Schroeder  
 D724,940 S 3/2015 Kim et al.  
 D730,728 S 6/2015 Fath

D730,886 S 6/2015 Tseng  
 D732,951 S 6/2015 Ahn et al.  
 9,180,996 B2 11/2015 Mathieu et al.  
 D747,193 S 1/2016 Melistas  
 D747,194 S 1/2016 Melistas  
 D752,425 S \* 3/2016 Parthenis, Jr. .... D9/414  
 D758,851 S \* 6/2016 Binder ..... D9/432  
 D775,523 S 1/2017 Platt  
 D775,524 S 1/2017 Herbeck et al.  
 D778,151 S 2/2017 Watson  
 D798,040 S \* 9/2017 Binder ..... D3/203.6  
 D798,703 S \* 10/2017 Hainaut ..... D9/418  
 D812,463 S \* 3/2018 Lee ..... D9/420  
 D814,296 S \* 4/2018 Collins ..... D9/433

FOREIGN PATENT DOCUMENTS

WO DM/069179 8/2007  
 WO DM/069883 1/2008

OTHER PUBLICATIONS

“Tuck Top Corrugated Mailing Boxes,” Paper Mart, papermart.com, accessed Sep. 2017; <https://www.papermart.com/tuck-top-corrugated-mailing-boxes/id=37547>.

\* cited by examiner

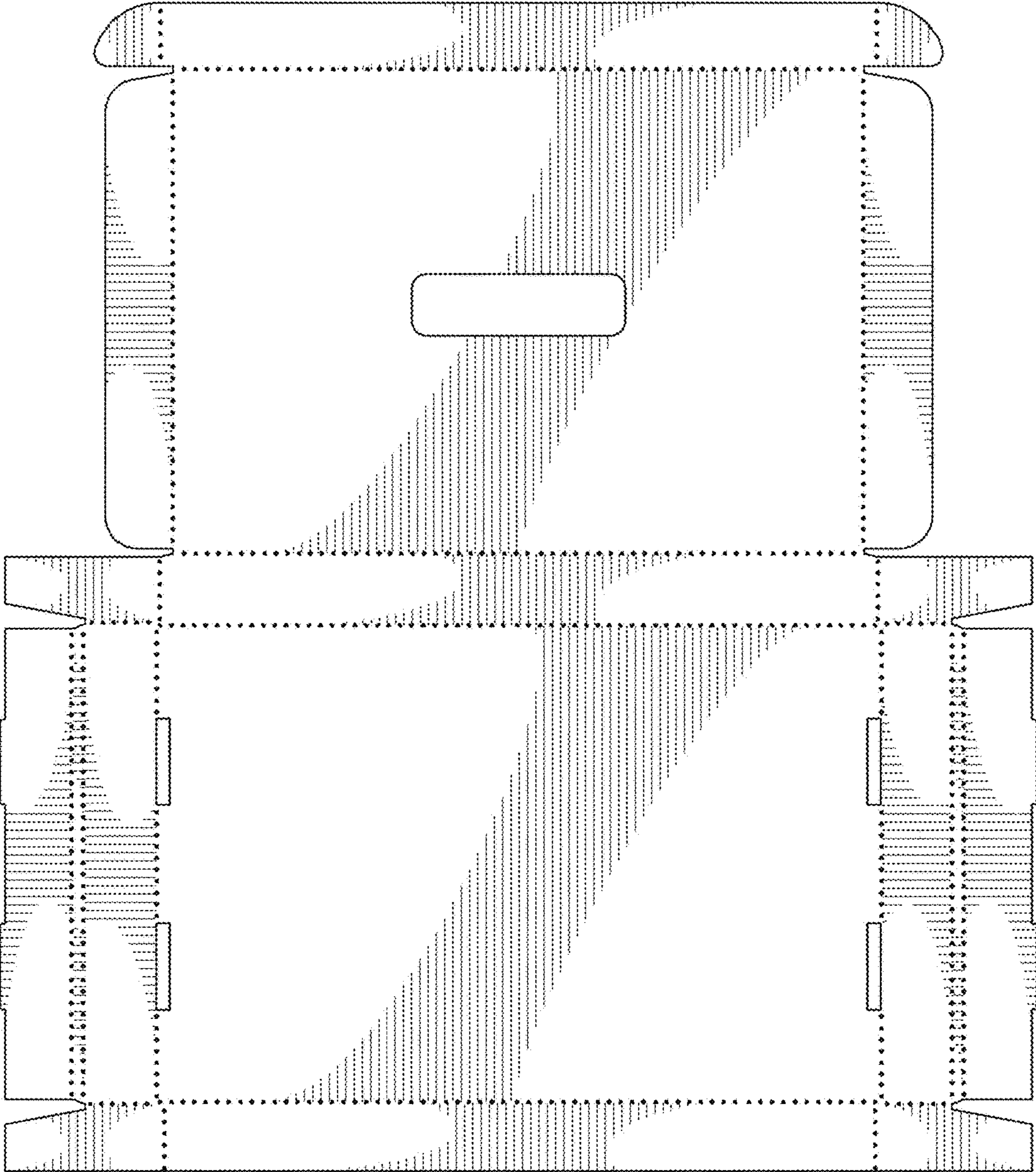


FIG. 1

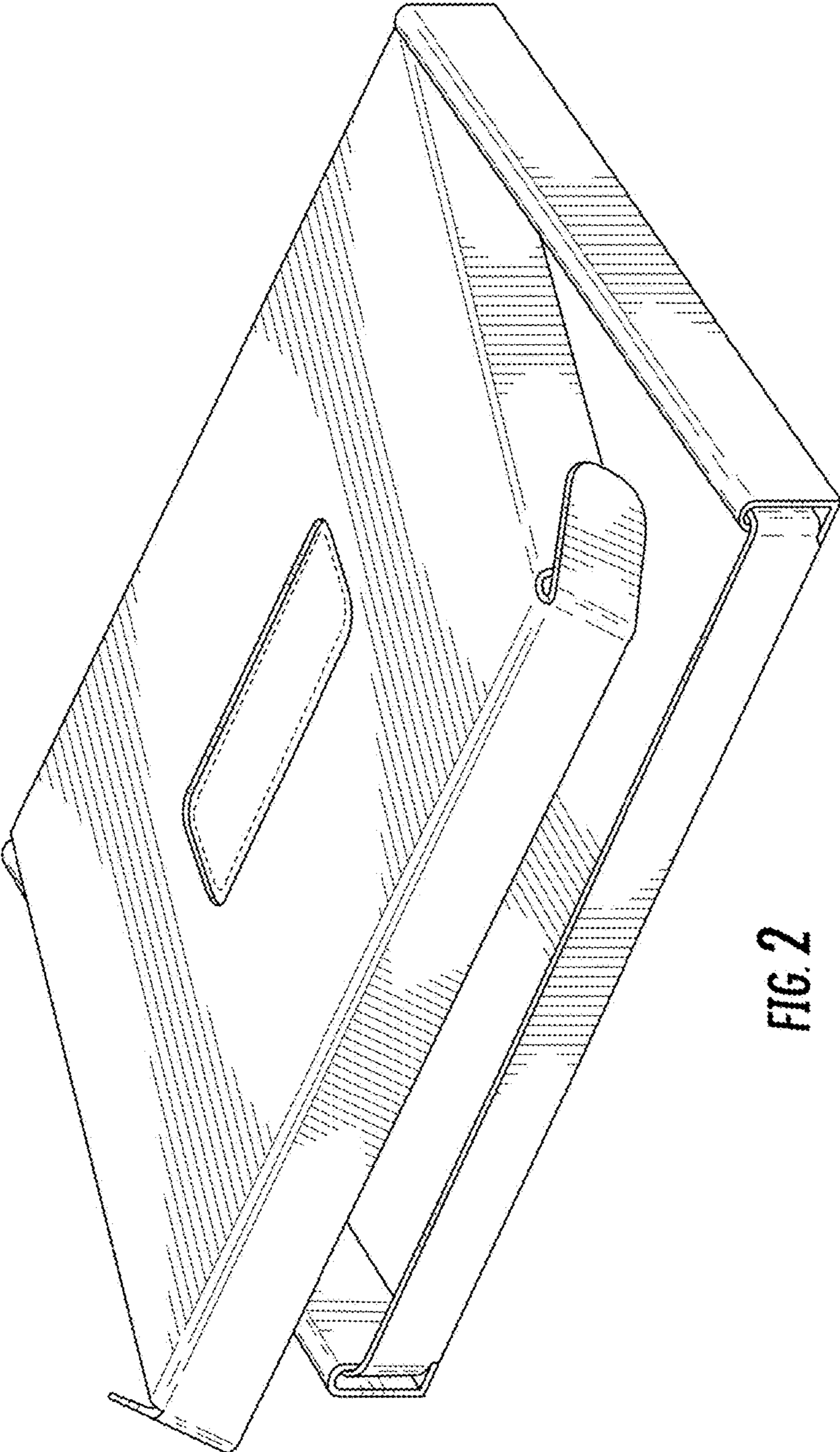


FIG. 2

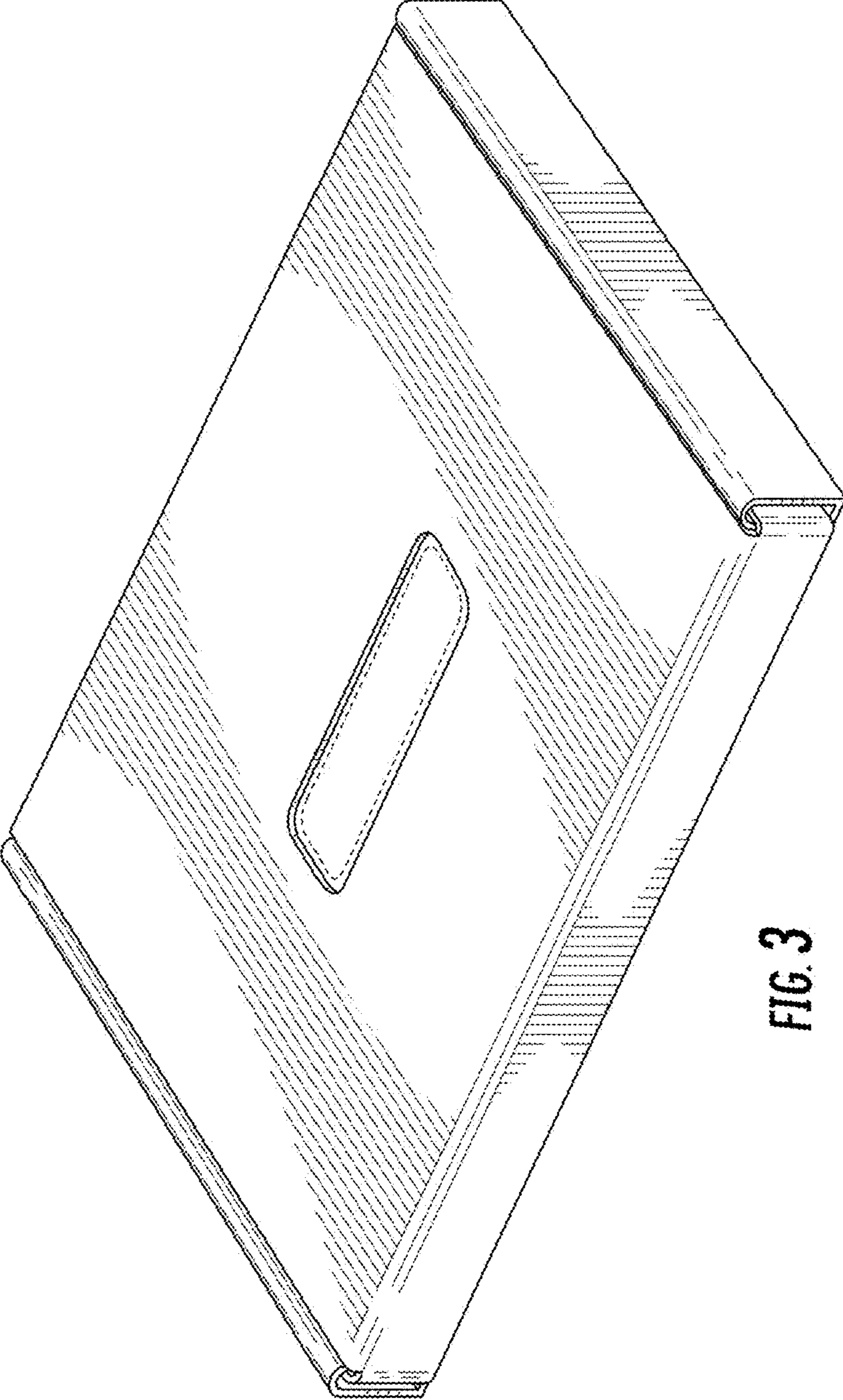
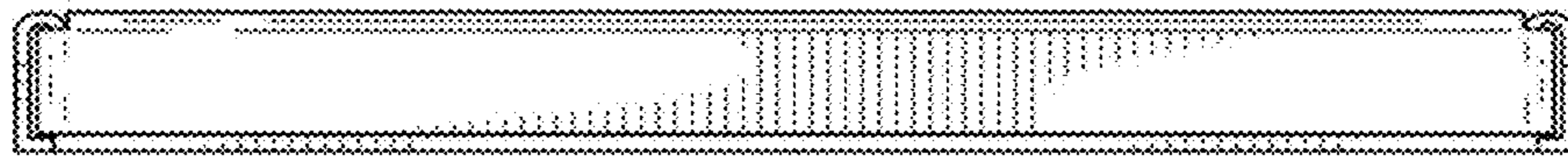
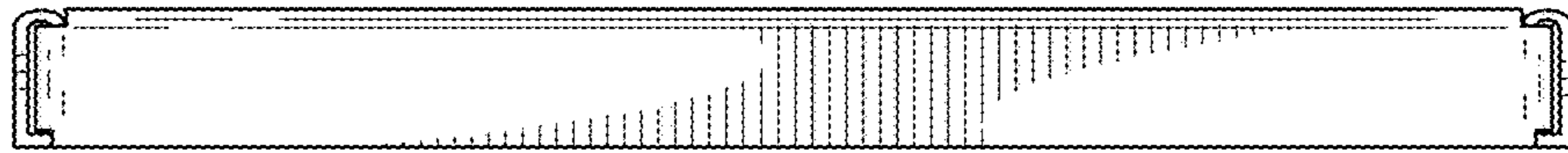


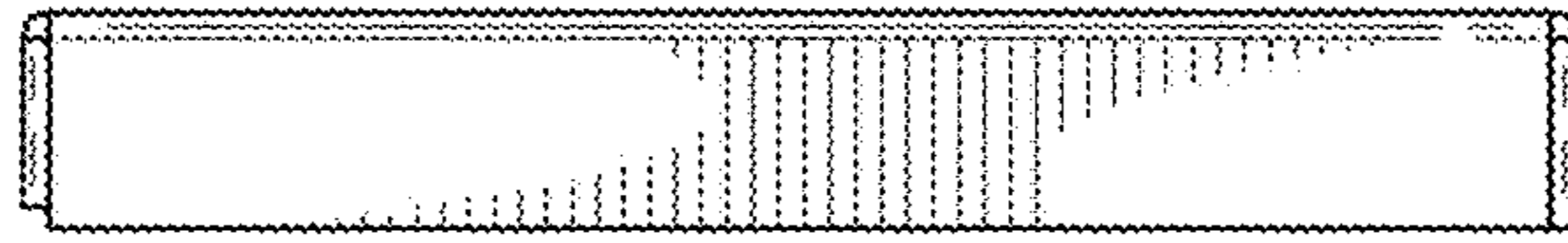
FIG. 3



**FIG. 4**

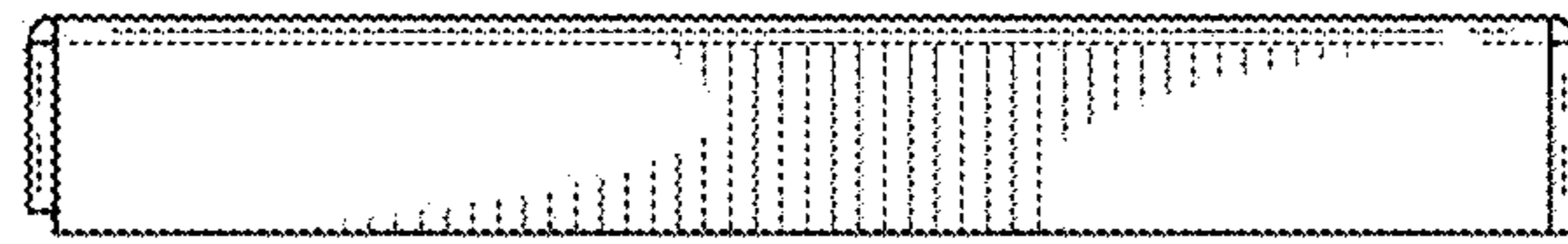


**FIG. 5**

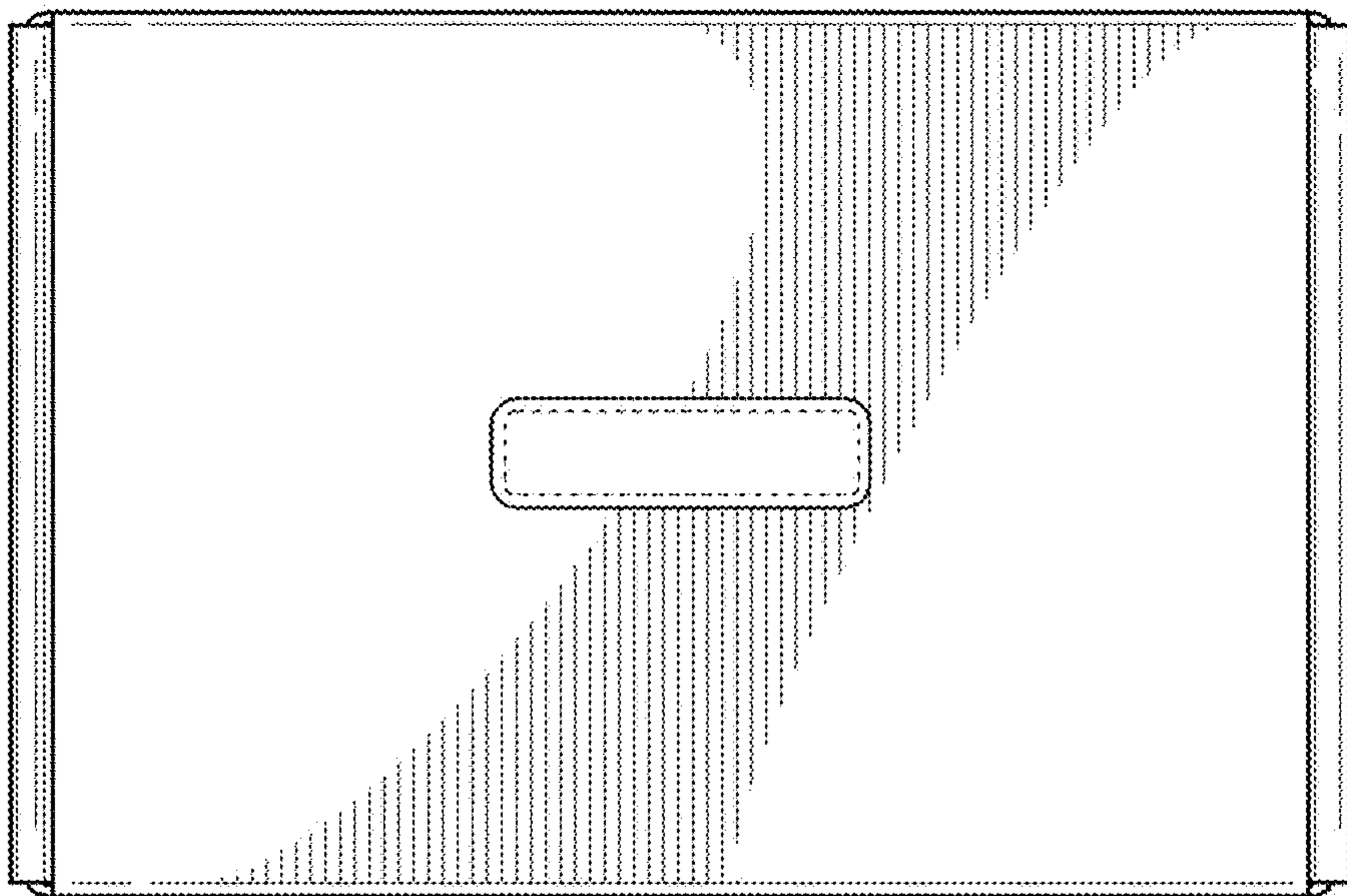


**FIG. 6**

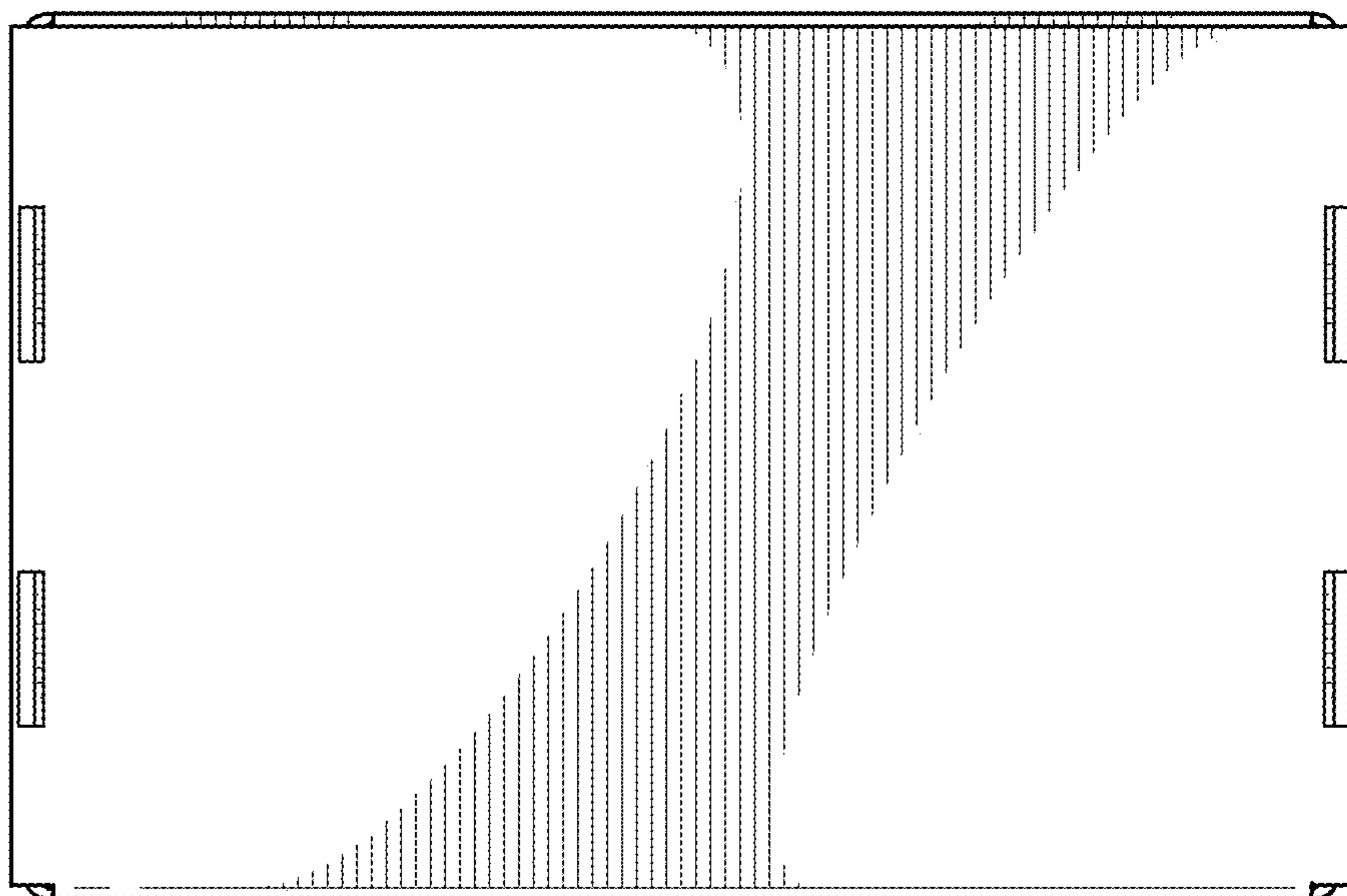




**FIG. 7**



**FIG. 8**



**FIG. 9**